



US00D410110S

United States Patent [19] Roland

[11] **Patent Number: Des. 410,110**

[45] **Date of Patent: ** May 18, 1999**

[54] **LOTION DISPENSER**

[76] Inventor: **Norma J. Roland**, 2425 N. 57th Ter.,
Kansas City, Kans. 66104

[**] Term: **14 Years**

[21] Appl. No.: **29/083,038**

[22] Filed: **Feb. 3, 1998**

[51] **LOC (6) Cl. 28-02**

[52] **U.S. Cl. D28/7; D4/127; D4/137;
D32/40**

[58] **Field of Search D28/7, 63; D4/114,
D4/137, 127; D32/40, 45, 50-52; 132/320;
15/104.94, 244.1, 244.2, 209.1, 210.1**

[56] **References Cited**

U.S. PATENT DOCUMENTS

D. 152,136	12/1948	Berry	D32/50
D. 252,709	8/1979	MacFadden	D28/7
D. 294,202	2/1988	Adair	D4/114
D. 315,236	3/1991	Kraselsky et al.	D32/40
D. 374,947	10/1996	Chiaramonte	D28/7
785,824	3/1905	Nicholls	401/28
1,334,911	3/1920	Lampkin	401/266
1,433,964	10/1922	Mills	401/288
2,496,033	1/1950	Berry	401/9
2,538,542	1/1951	Tucker	D32/45 X
2,736,913	3/1956	Mirth	401/143
2,746,461	5/1956	Bocchino	132/74.5
2,955,311	10/1960	Jurkanis	401/203
3,161,905	12/1964	Dryden	401/204
3,345,669	10/1967	Starry	15/244.1
3,637,141	1/1972	Gores	401/184 X

3,784,063	1/1974	Otis et al.	401/265 X
5,052,840	10/1991	St. Cyer	401/201
5,361,442	11/1994	Payne et al.	15/244.2 X
5,454,659	10/1995	Vosbikian et al.	401/207

FOREIGN PATENT DOCUMENTS

900753	10/1944	France	401/282
--------	---------	--------	-------	---------

Primary Examiner—Ted Shooman

Assistant Examiner—C. Tuttle

Attorney, Agent, or Firm—Litman, McMahon & Brown,
L.L.C.

[57] **CLAIM**

The ornamental design for a lotion dispenser, as shown and described.

DESCRIPTION

FIG. 1 is a perspective view of a lotion dispenser showing my new design;

FIG. 2 is a front elevational view thereof;

FIG. 3 is a rear elevational view thereof;

FIG. 4 is a side elevational view thereof, with the opposed view being identical;

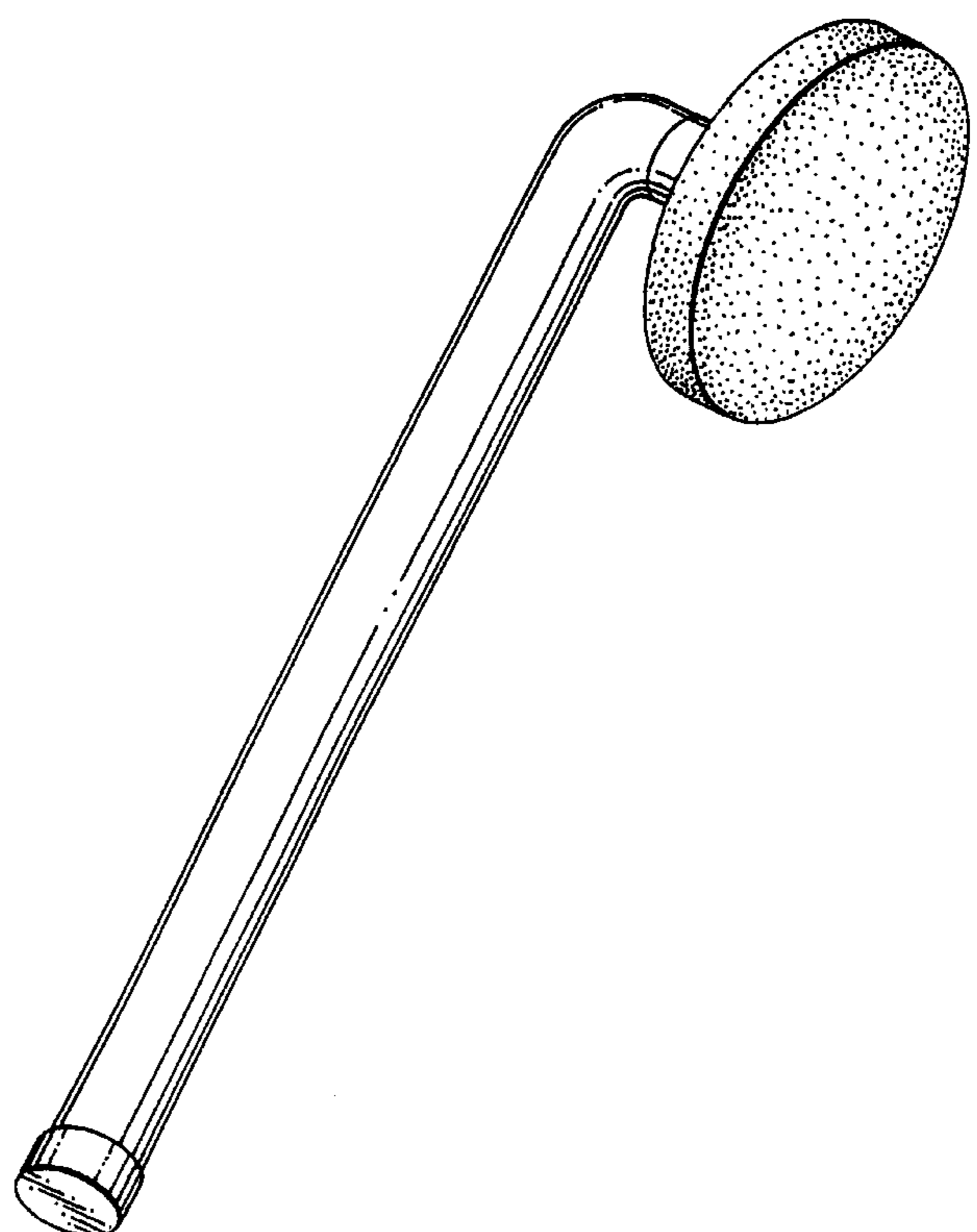
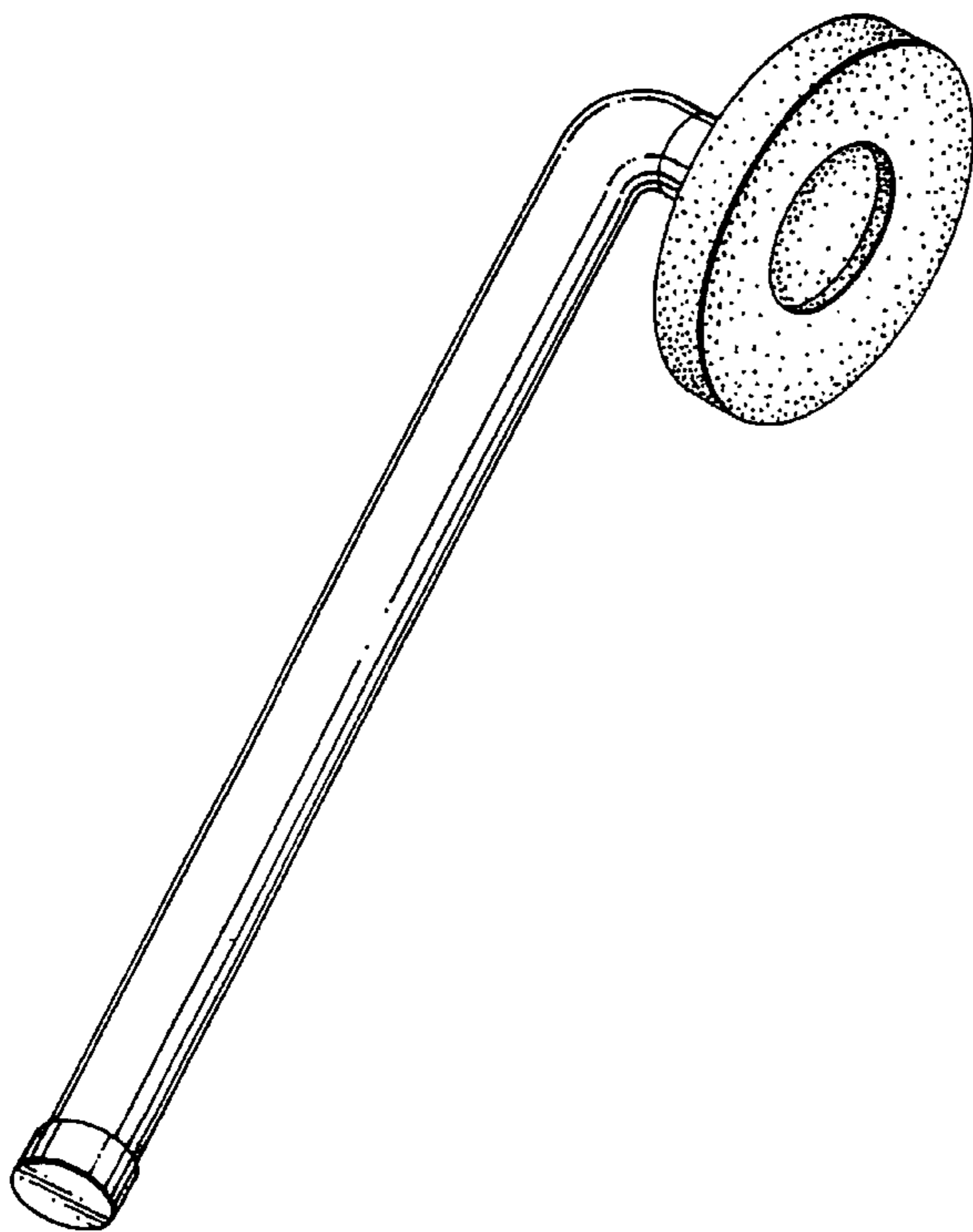
FIG. 5 is a top plan view thereof;

FIG. 6 is a bottom plan view thereof;

FIG. 7 is a perspective view of a lotion dispenser, showing a modified dispenser of my new design; the top plan, bottom plan, both side elevational and rear elevational views of the modified dispenser are the same as the lotion dispenser shown in FIGS. 1 to 6; and,

FIG. 8 is a front elevational view of the modified dispenser.

1 Claim, 5 Drawing Sheets



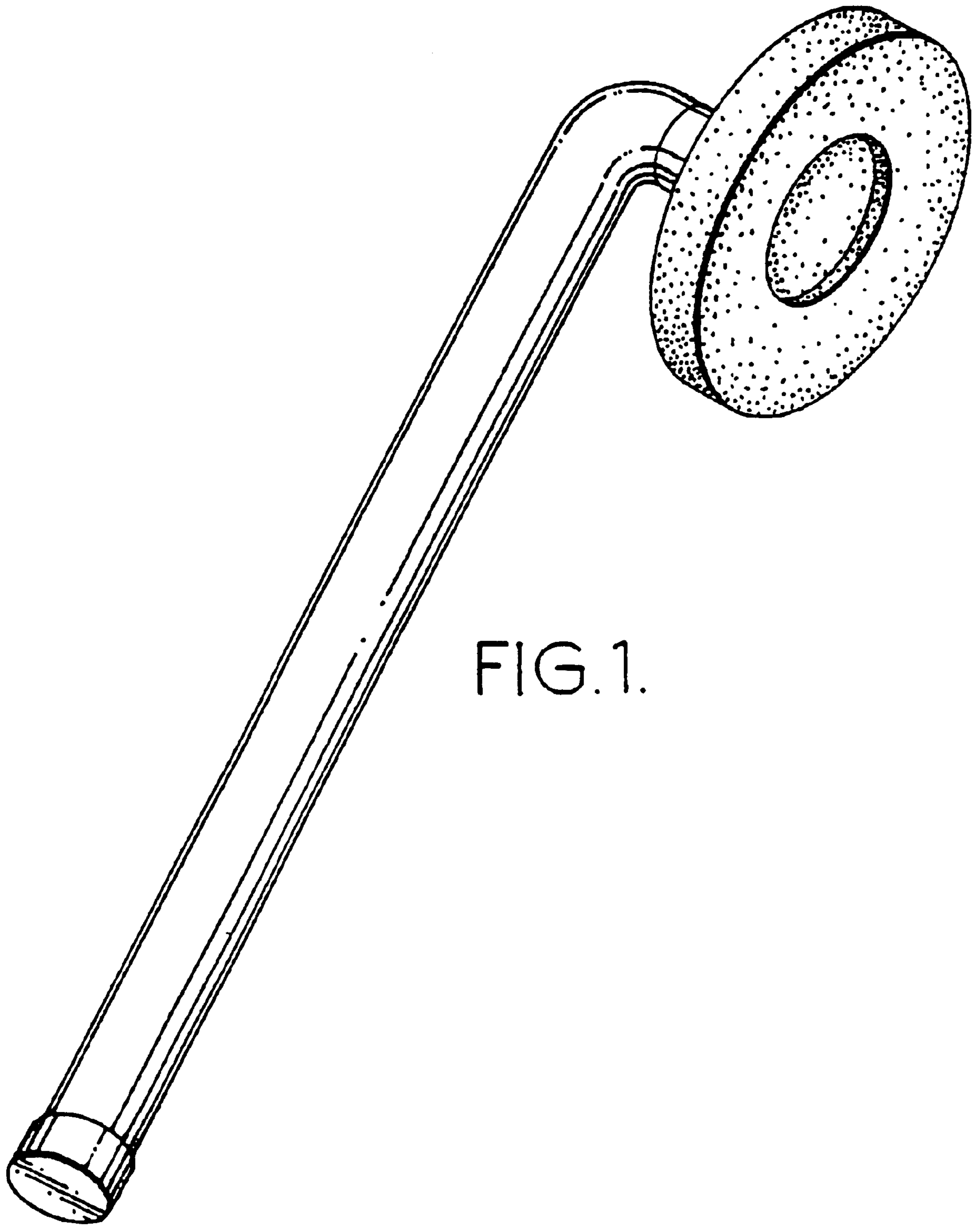


FIG. 1.

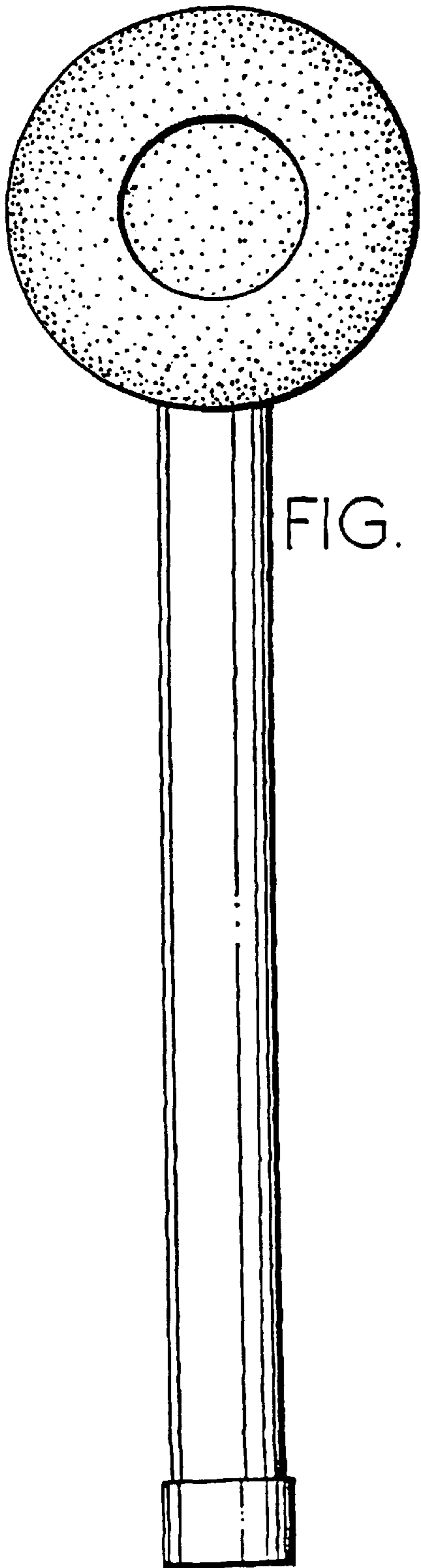


FIG. 2.

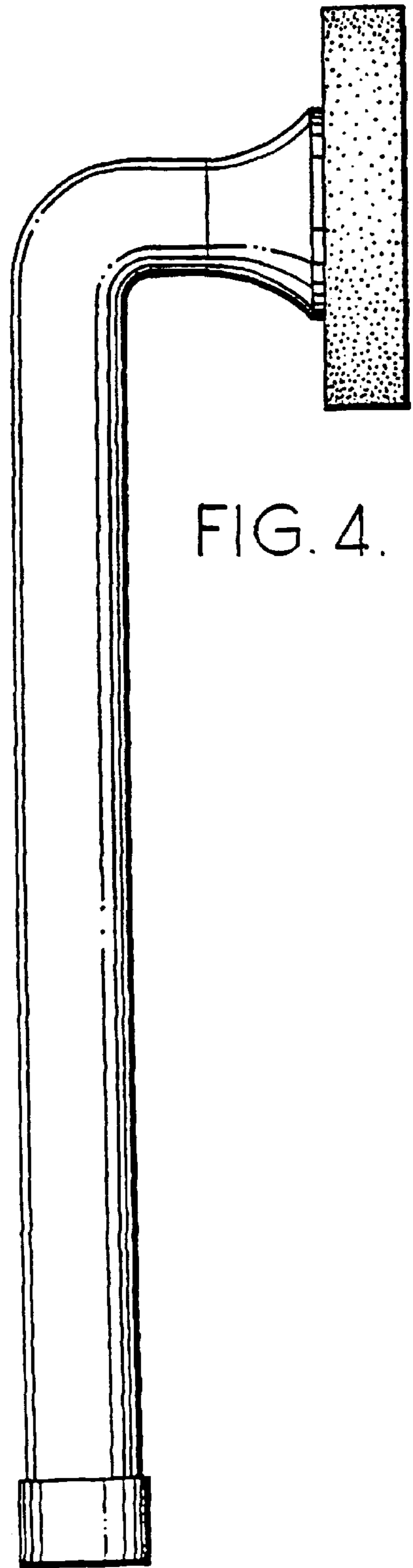


FIG. 4.

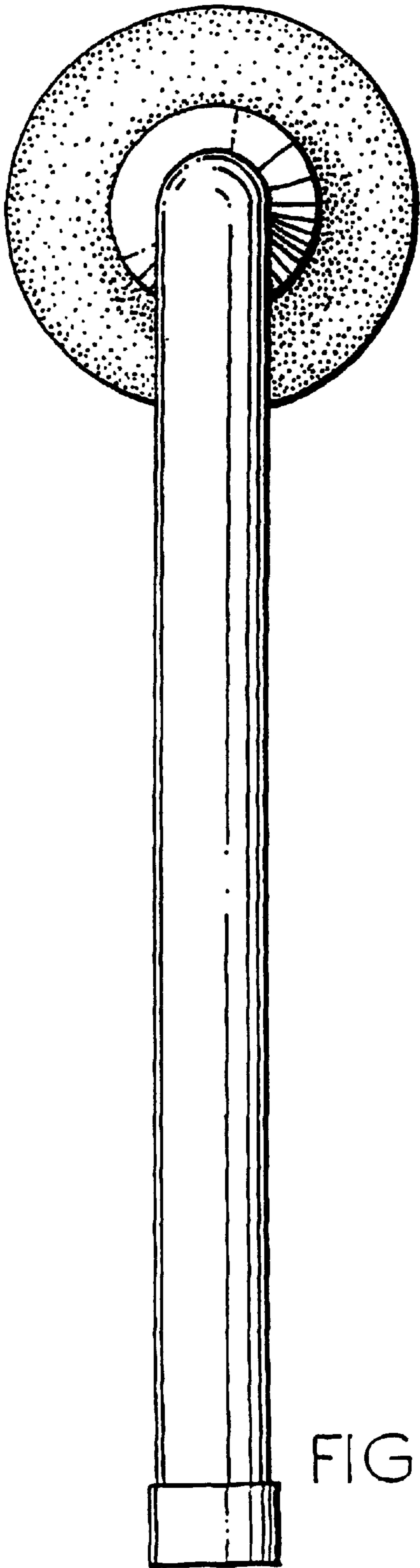


FIG. 3

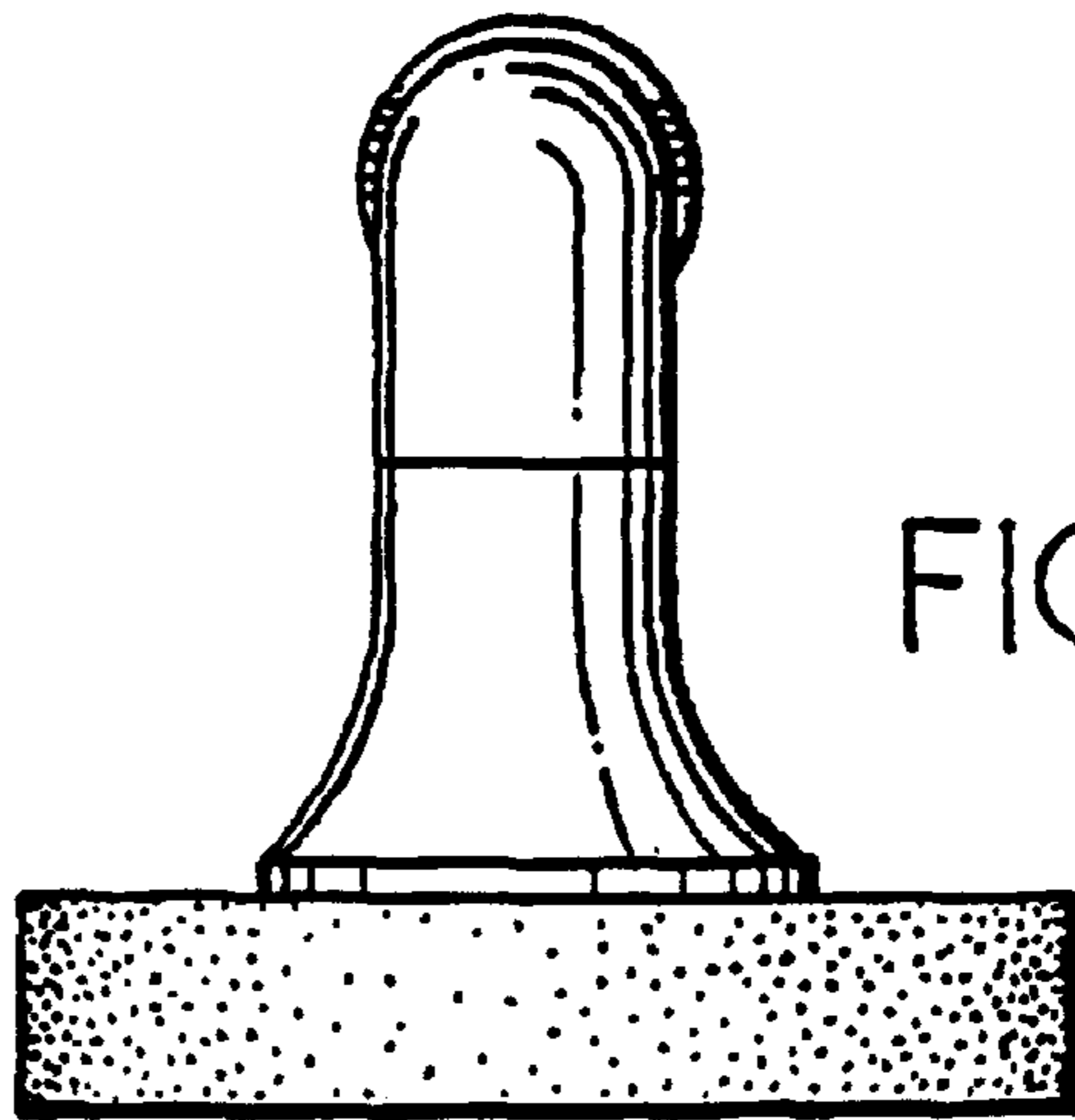


FIG. 5.

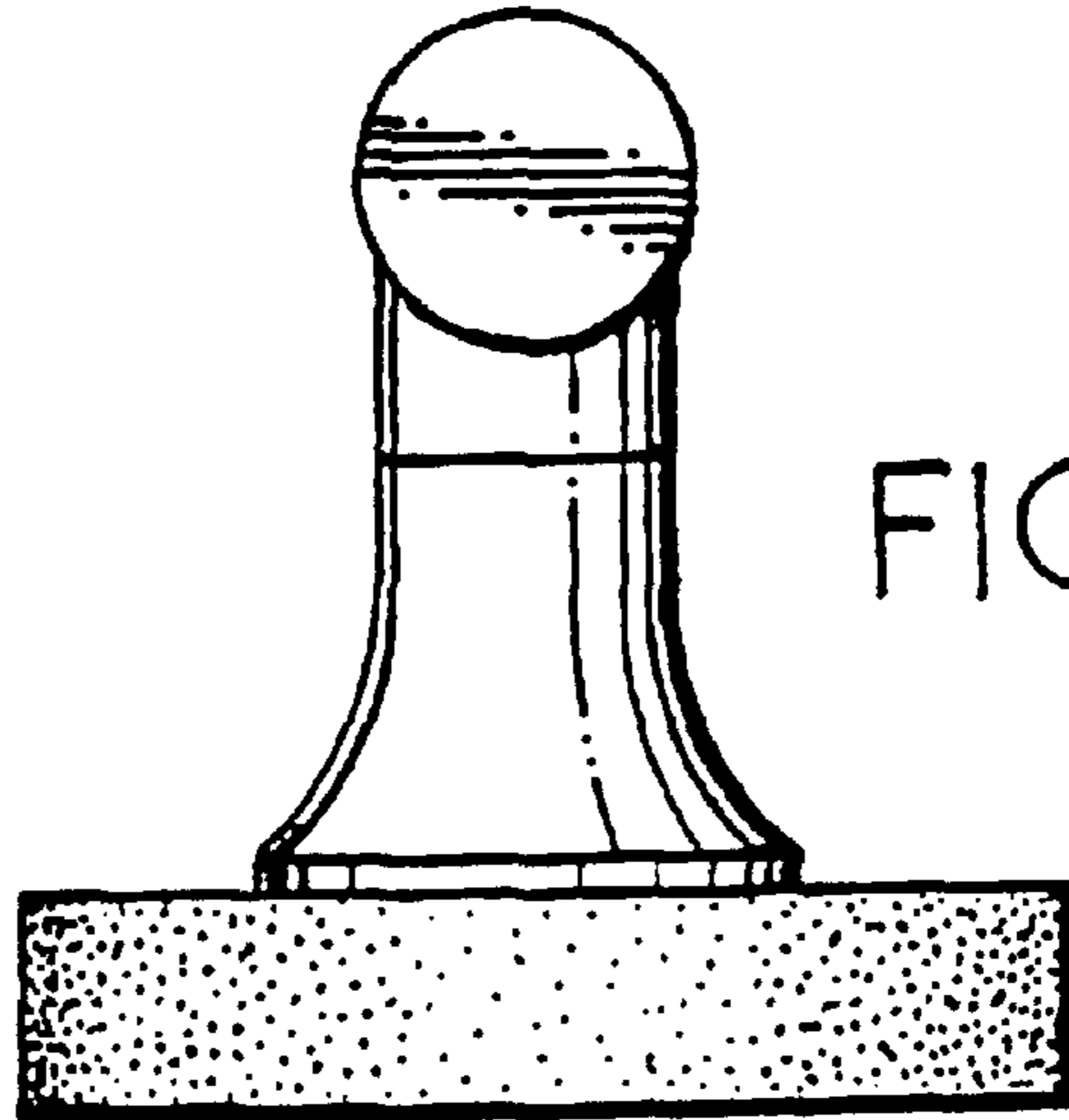


FIG. 6

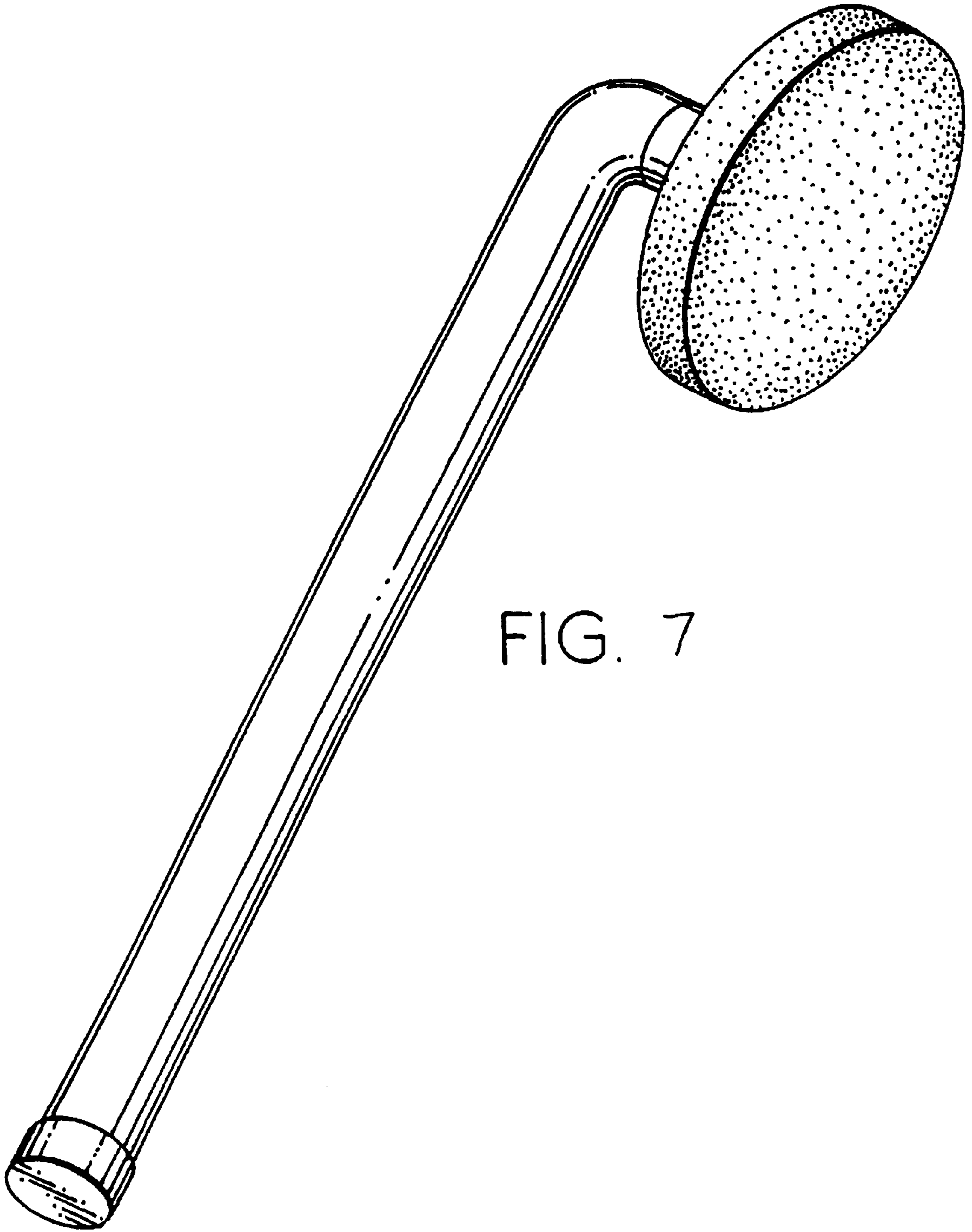


FIG. 7

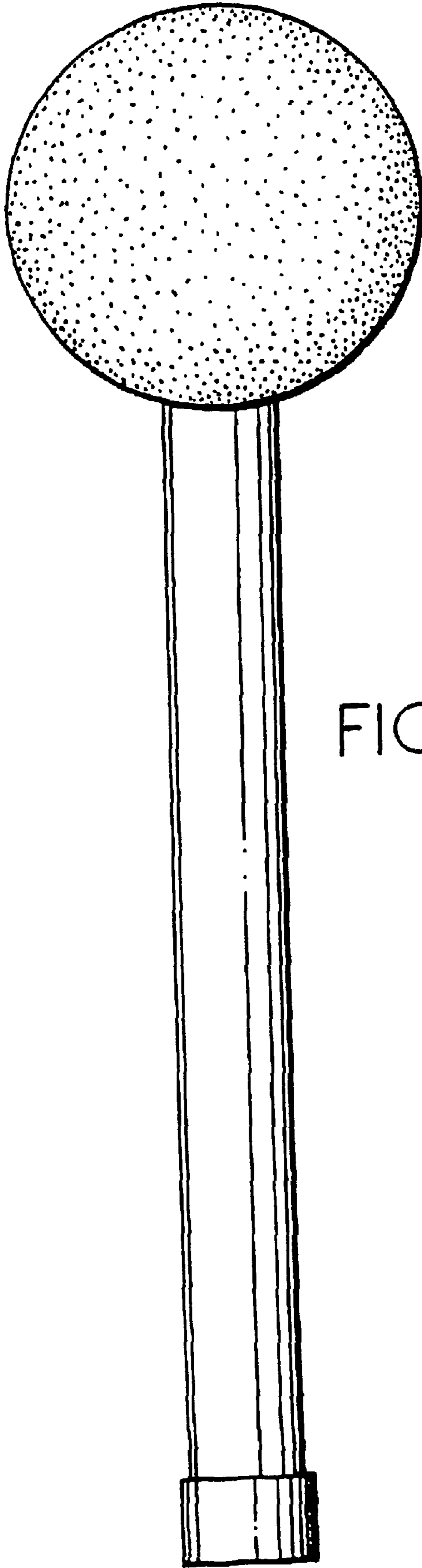


FIG. 8