



US00D410109S

United States Patent [19]

Van Keppel et al.

[11] Patent Number: Des. 410,109

[45] Date of Patent: ** May 18, 1999

[54] CIGAR CUTTER

1,096,219 5/1914 Bippart 30/112

[76] Inventors: Kurt Van Keppel, 5428 Oakview, Shawnee, Kans. 66216; Scott Almsberger, 17320 246th St., Tonganoxie, Kans. 66086

Primary Examiner—Susan J. Lucas
Assistant Examiner—Jennifer Rivard
Attorney, Agent, or Firm—Shook, Hardy & Bacon L.L.P.

[**] Term: 14 Years

[57] CLAIM

The ornamental design for a cigar cutter, as shown and described.

[21] Appl. No.: 29/091,270

[22] Filed: Jul. 27, 1998

[51] LOC (6) Cl. 27-06

[52] U.S. Cl. D27/195

[58] Field of Search D27/195; 131/248, 131/249, 250, 252, 253, 254, 255; 30/109, 110, 111, 112, 113

DESCRIPTION

FIG. 1 is a perspective view of the cigar cutter according to the present invention;
FIG. 2 is a front elevational view thereof;
FIG. 3 is a rear elevational view thereof;
FIG. 4 is a elevational view of one side of the cigar cutter according to the present invention, the other side being a mirror image thereof;
FIG. 5 is a top plan view; and,
FIG. 6 is a bottom plan view of the cigar cutter according to the present invention.

[56] References Cited

U.S. PATENT DOCUMENTS

D. 387,478 12/1997 Chen D27/195
734,688 7/1903 Farley et al. 131/248

1 Claim, 1 Drawing Sheet

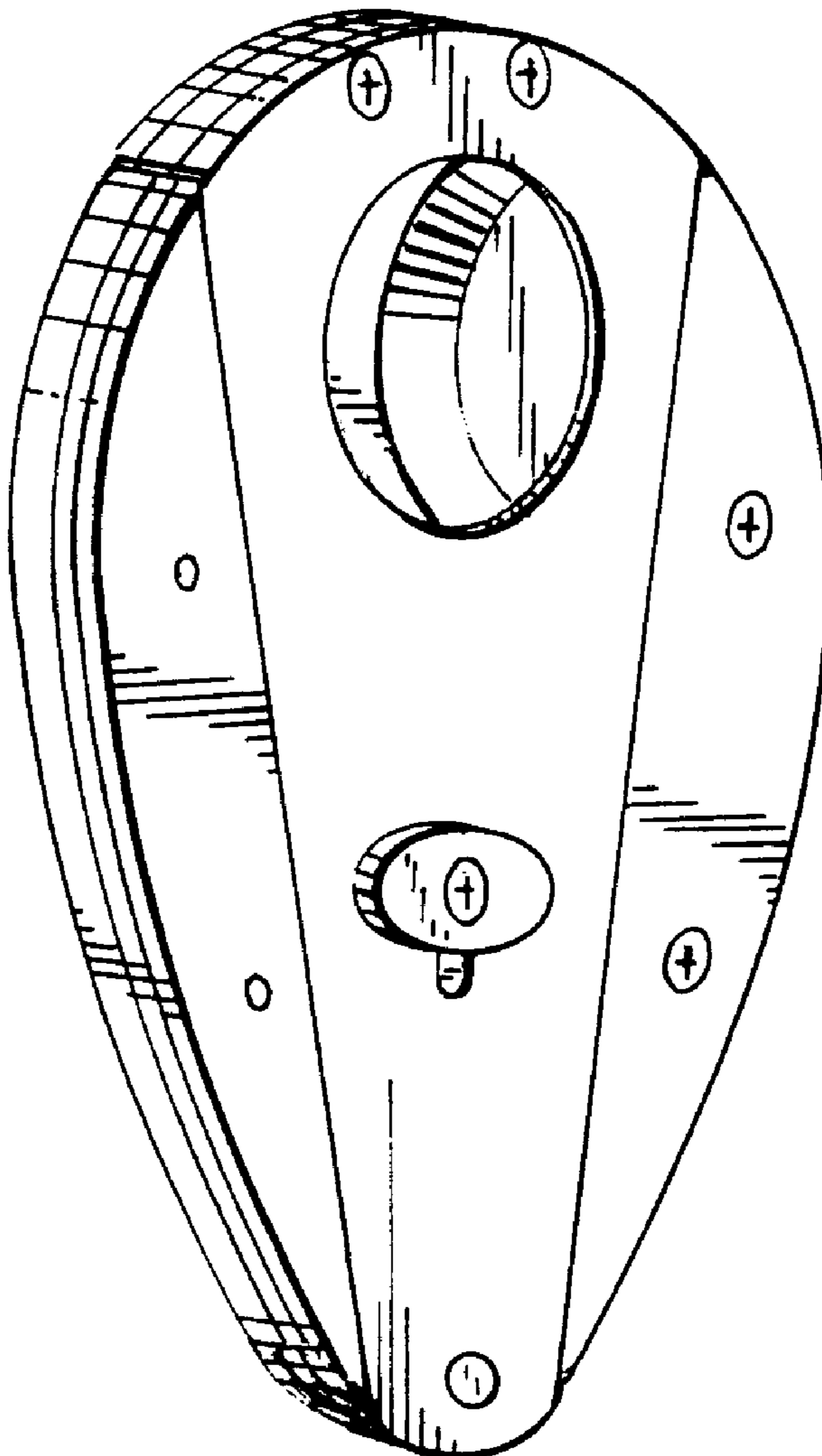


Fig. 1.

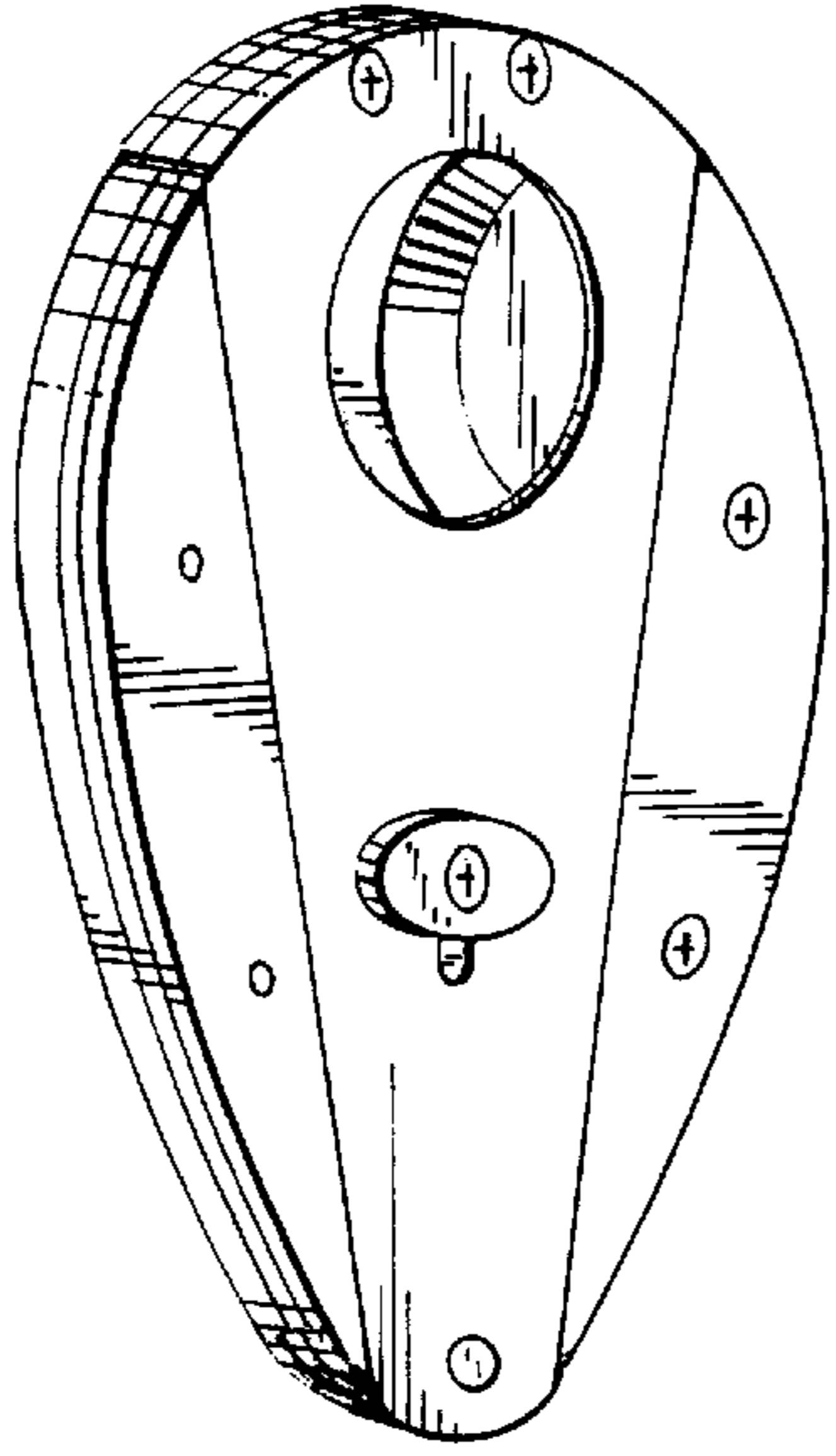


Fig. 2.

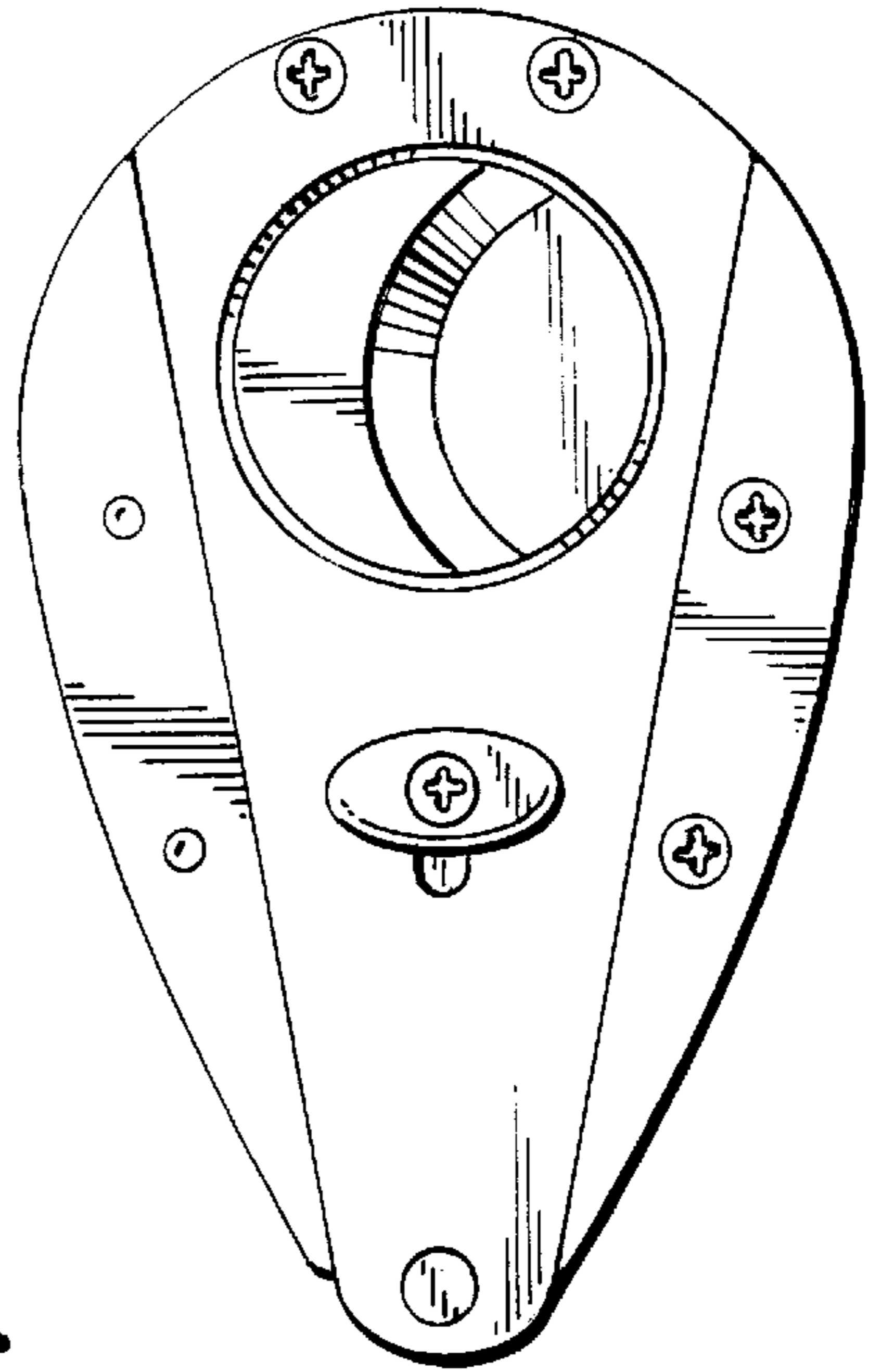


Fig. 4.

Fig. 3.

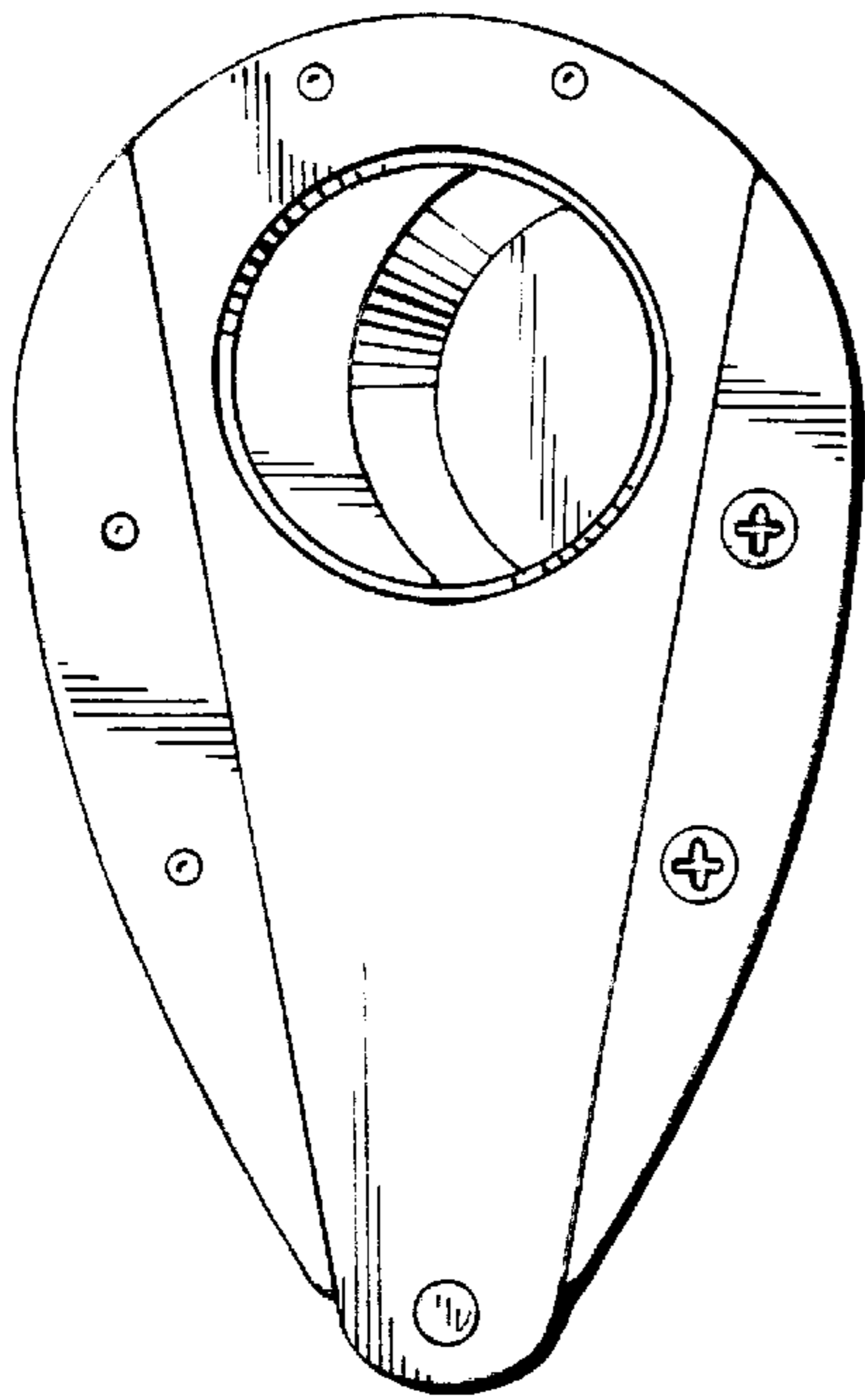


Fig. 5.

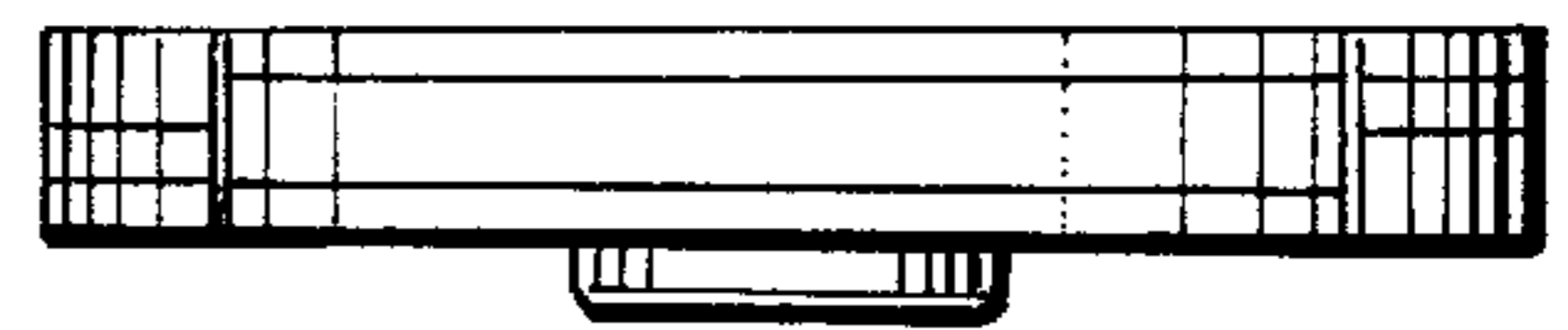


Fig. 6.

