



US00D410108S

United States Patent [19] Reed

[11] **Patent Number: Des. 410,108**

[45] **Date of Patent: ** May 18, 1999**

[54] **COMBINATION HUMIDOR AND DISPLAY UNIT**

5,251,972 10/1993 Zurawin 312/114

[75] Inventor: **Harold F Reed**, Elk Grove Village, Ill.

Primary Examiner—Susan J. Lucas

Assistant Examiner—Jennifer Rivard

[73] Assignees: **Design 4 Merchandising, Inc.**,
Wheeling, Ill.; **Harold Reed Design**

Attorney, Agent, or Firm—Juettner Pyle Piontek &
Underwood

[**] Term: **14 Years**

[57] **CLAIM**

The ornamental design for a combination humidor and display unit, as shown and described.

[21] Appl. No.: **29/091,426**

[22] Filed: **Jul. 29, 1998**

DESCRIPTION

[51] **LOC (6) Cl.** **27-06**

FIG. 1 is a perspective view of the combination humidor and display unit;

[52] **U.S. Cl.** **D27/189; D6/471**

FIG. 2 is a top plan view thereof;

[58] **Field of Search** D27/189, 183,
D27/186; D6/471; 312/114, 31, 31.1; 211/70.3

FIG. 3 is a front elevational view thereof;

FIG. 4 is a bottom plan view thereof;

[56] **References Cited**

U.S. PATENT DOCUMENTS

FIG. 5 is a right side elevational view thereof, the left side elevational view being a mirror image thereof; and,

FIG. 6 is a rear elevational view thereof.

D. 124,747 1/1941 Lilienfield D27/189
1,205,040 11/1916 Skall 312/114

1 Claim, 4 Drawing Sheets

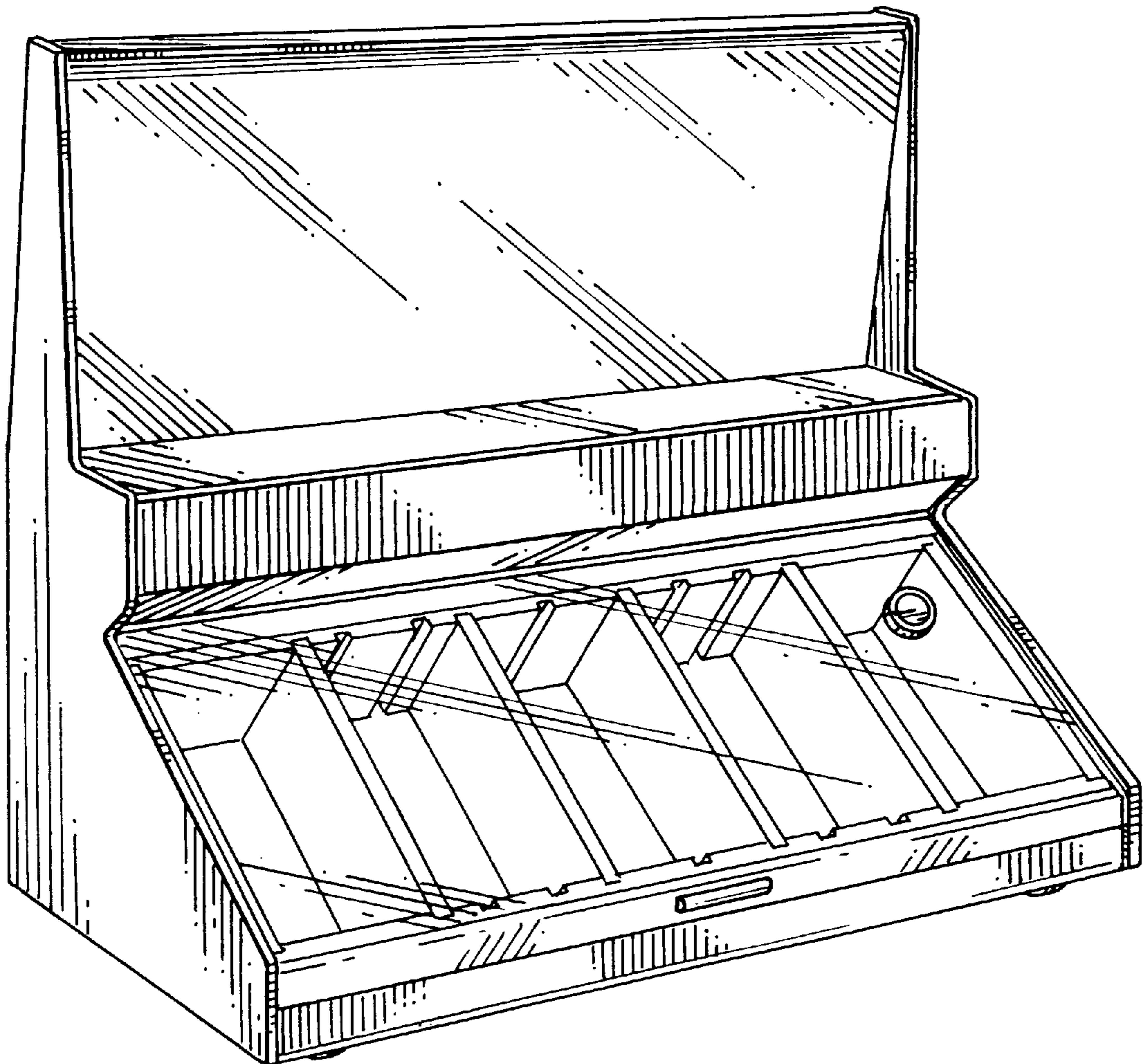


FIG. 1

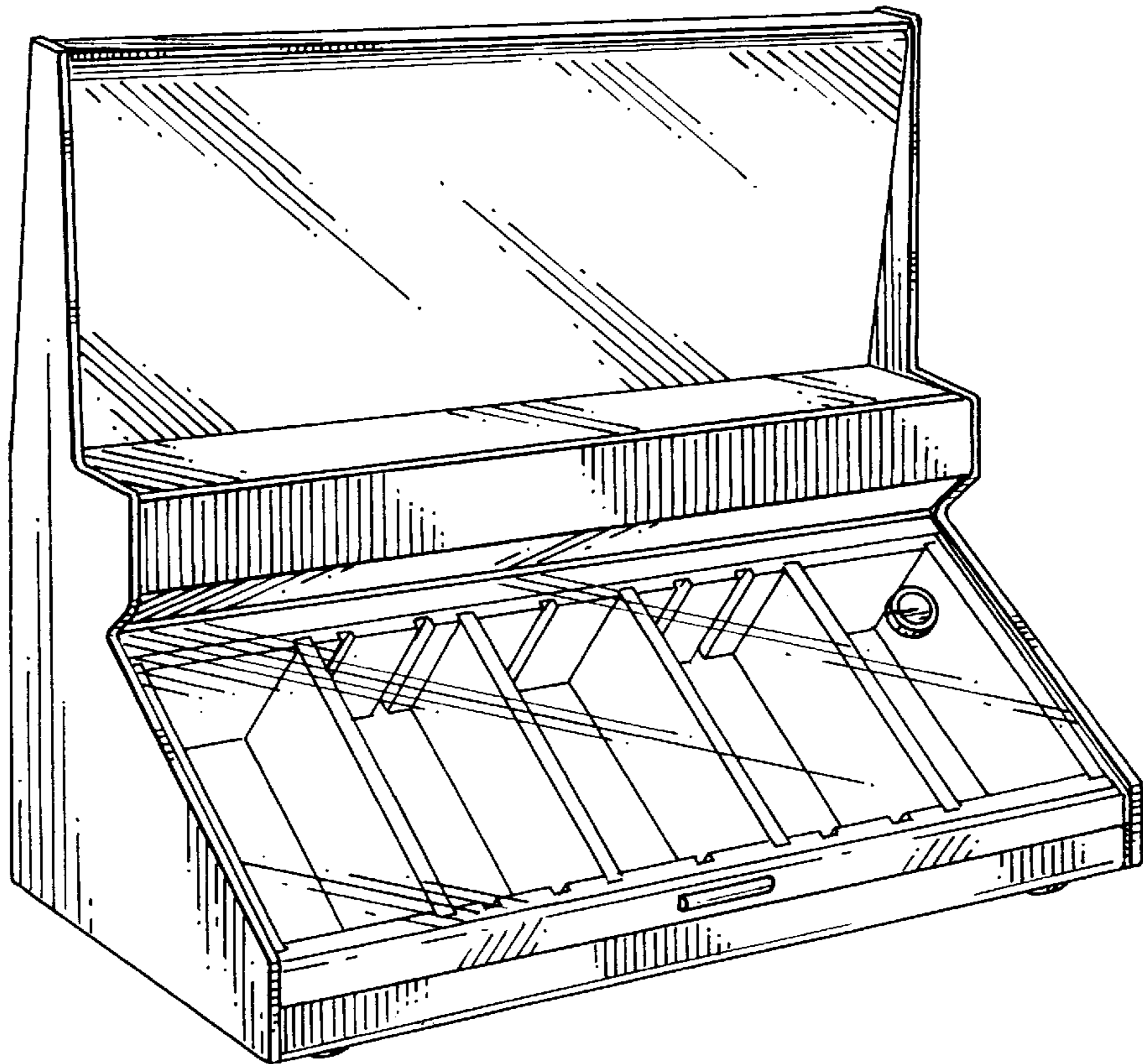


FIG. 2

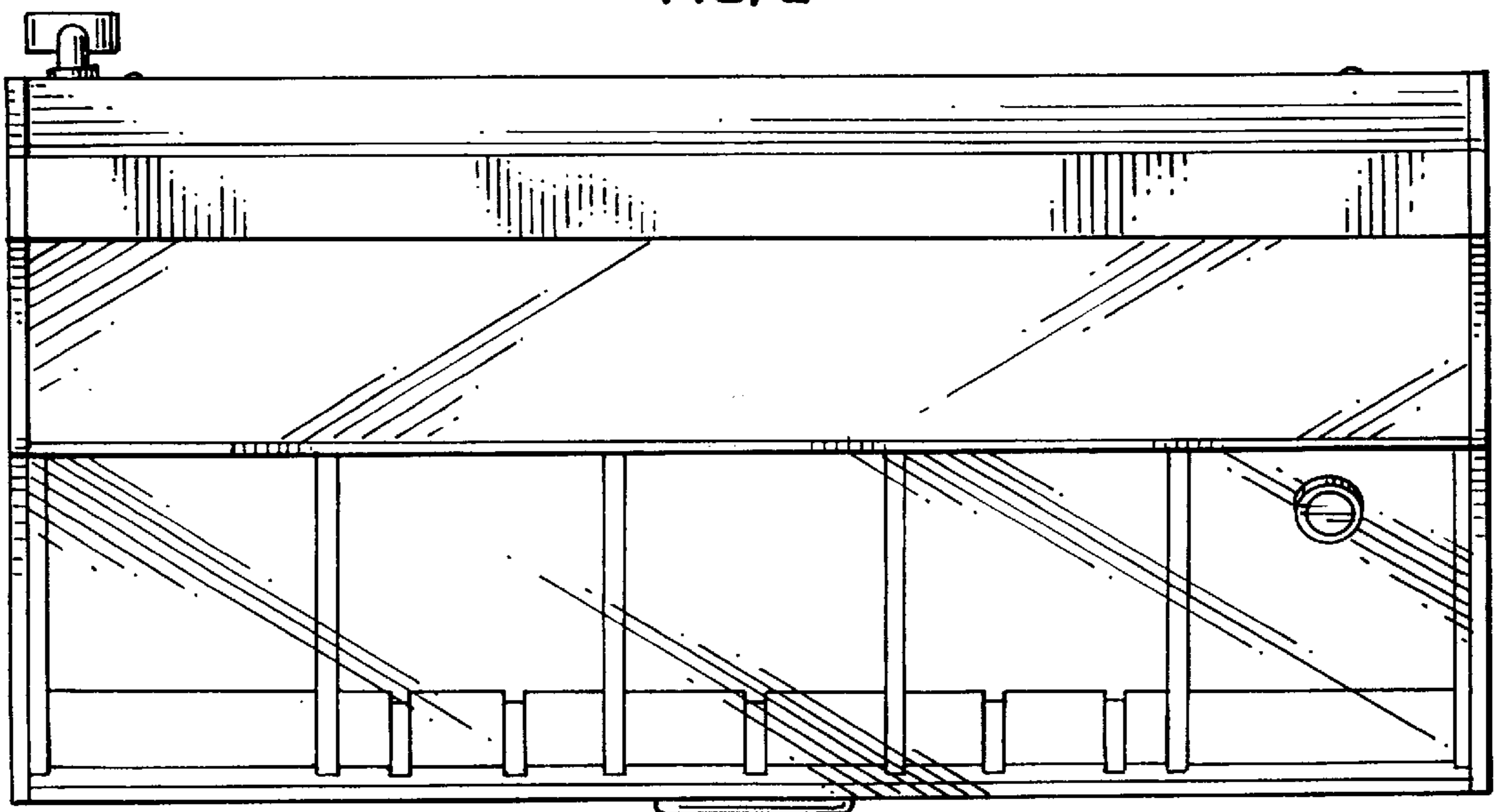


FIG. 3

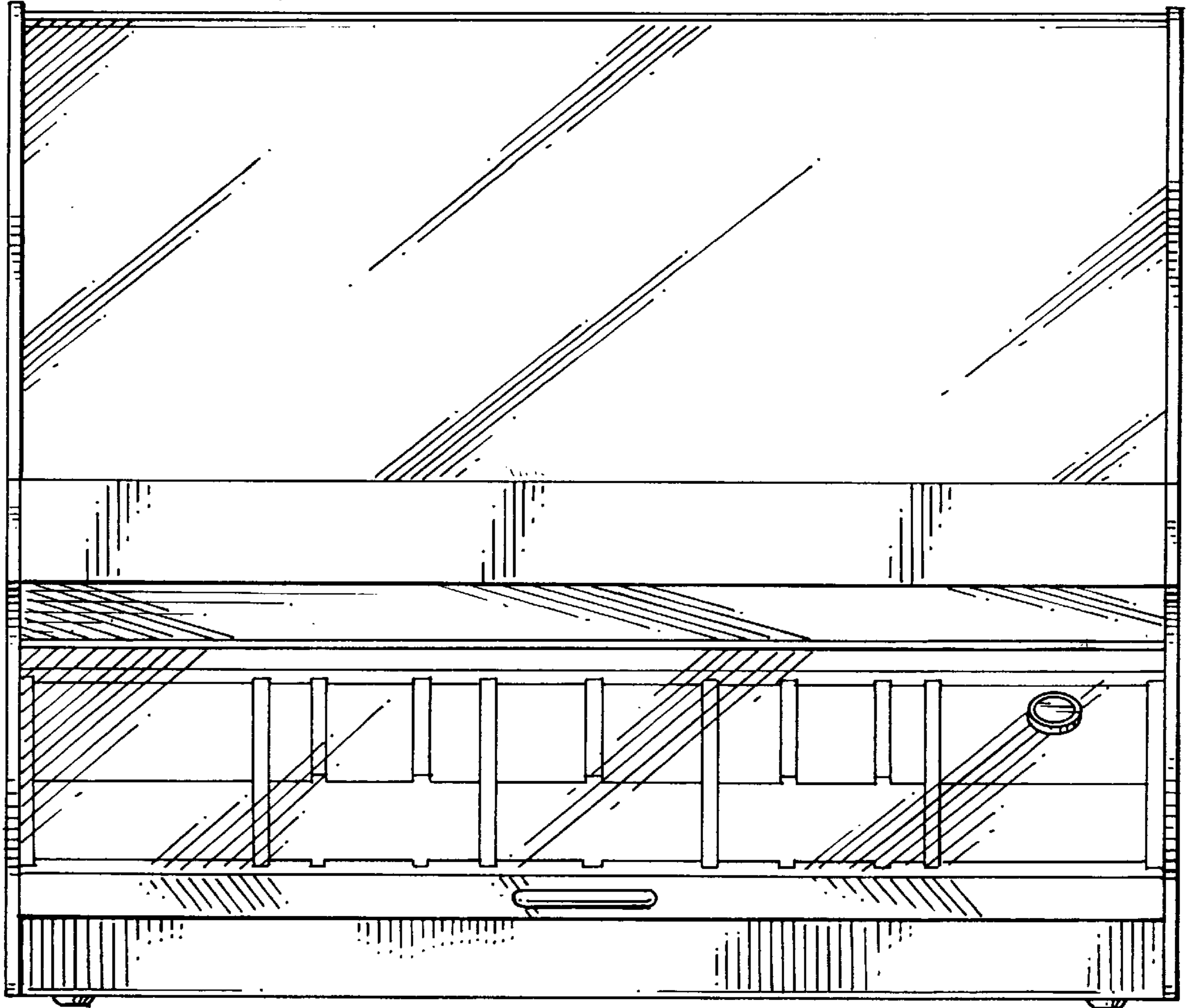


FIG. 4

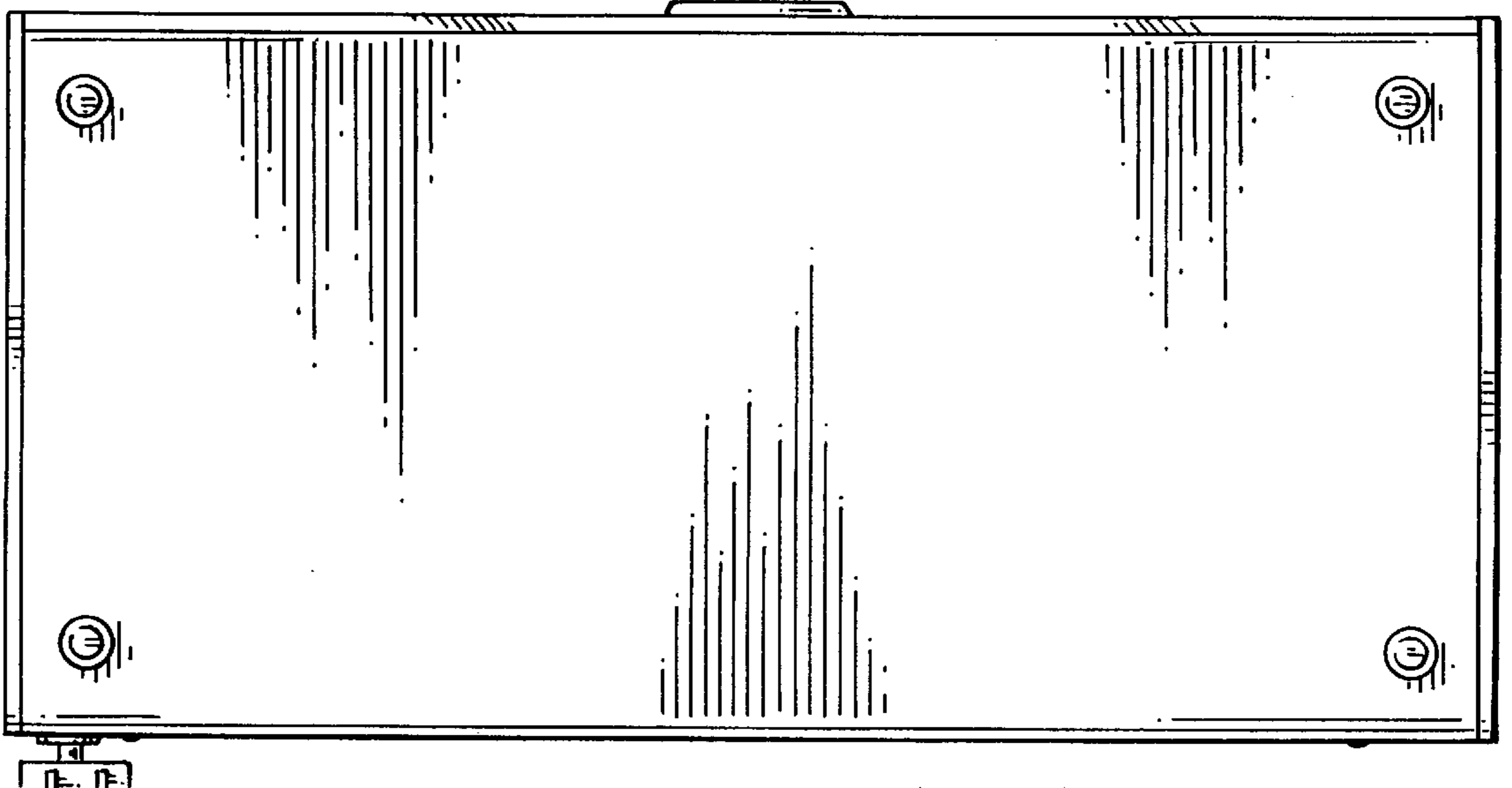


FIG. 5

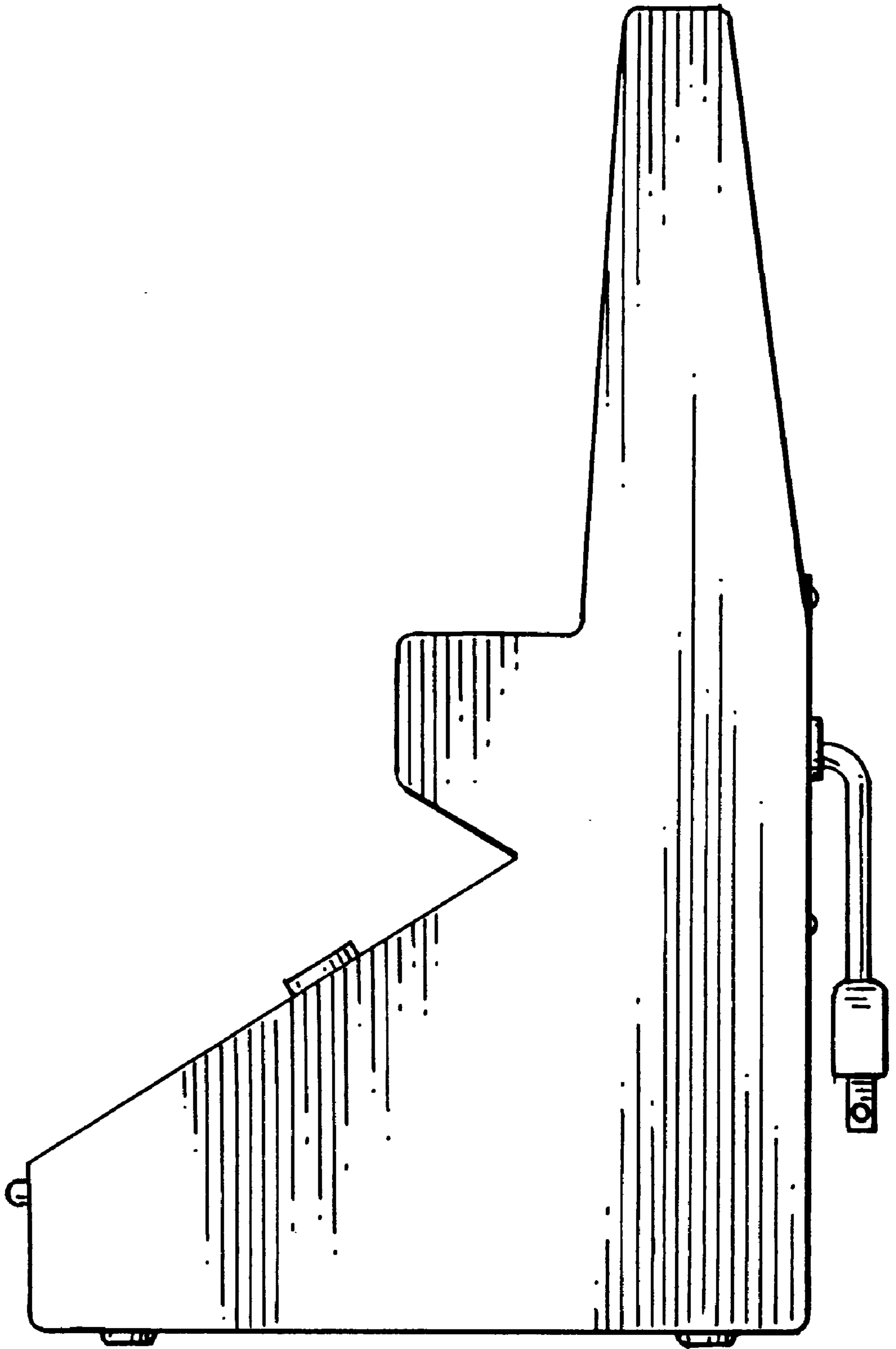


FIG. 6

