



US00D410098S

United States Patent [19] Chiu

[11] **Patent Number: Des. 410,098**

[45] **Date of Patent: ** May 18, 1999**

[54] **PENLIGHT**

[75] Inventor: **Si Fu Chiu**, Tsuen Wan, The Hong Kong Special Administrative Region of the People's Republic of China

[73] Assignee: **Lite Master Limited**, Hong Kong, The Hong Kong Special Administrative Region of the People's Republic of China

[**] Term: **14 Years**

[21] Appl. No.: **29/060,659**

[22] Filed: **Oct. 3, 1996**

[30] **Foreign Application Priority Data**

Apr. 9, 1996 [GB] United Kingdom 2055407

[51] **LOC (6) Cl.** **26-02**

[52] **U.S. Cl.** **D26/38**

[58] **Field of Search** D26/37-50; 362/103, 362/109, 118, 157, 158, 183-208; D19/35, 36, 41-51, 54-58, 81-85

[56] **References Cited**

U.S. PATENT DOCUMENTS

D. 345,991 4/1994 Tzong-Taur D26/38

D. 358,842 5/1995 Shiau D26/38

D. 370,497 6/1996 Moore et al. D26/38
D. 389,184 1/1998 Chiu D26/38
D. 389,364 1/1998 Wallarella et al. D26/38
D. 392,999 3/1998 Varholik D26/38

Primary Examiner—Marcus A. Jackson
Attorney, Agent, or Firm—Miller, Sisson, Chapman & Nash, P.C.

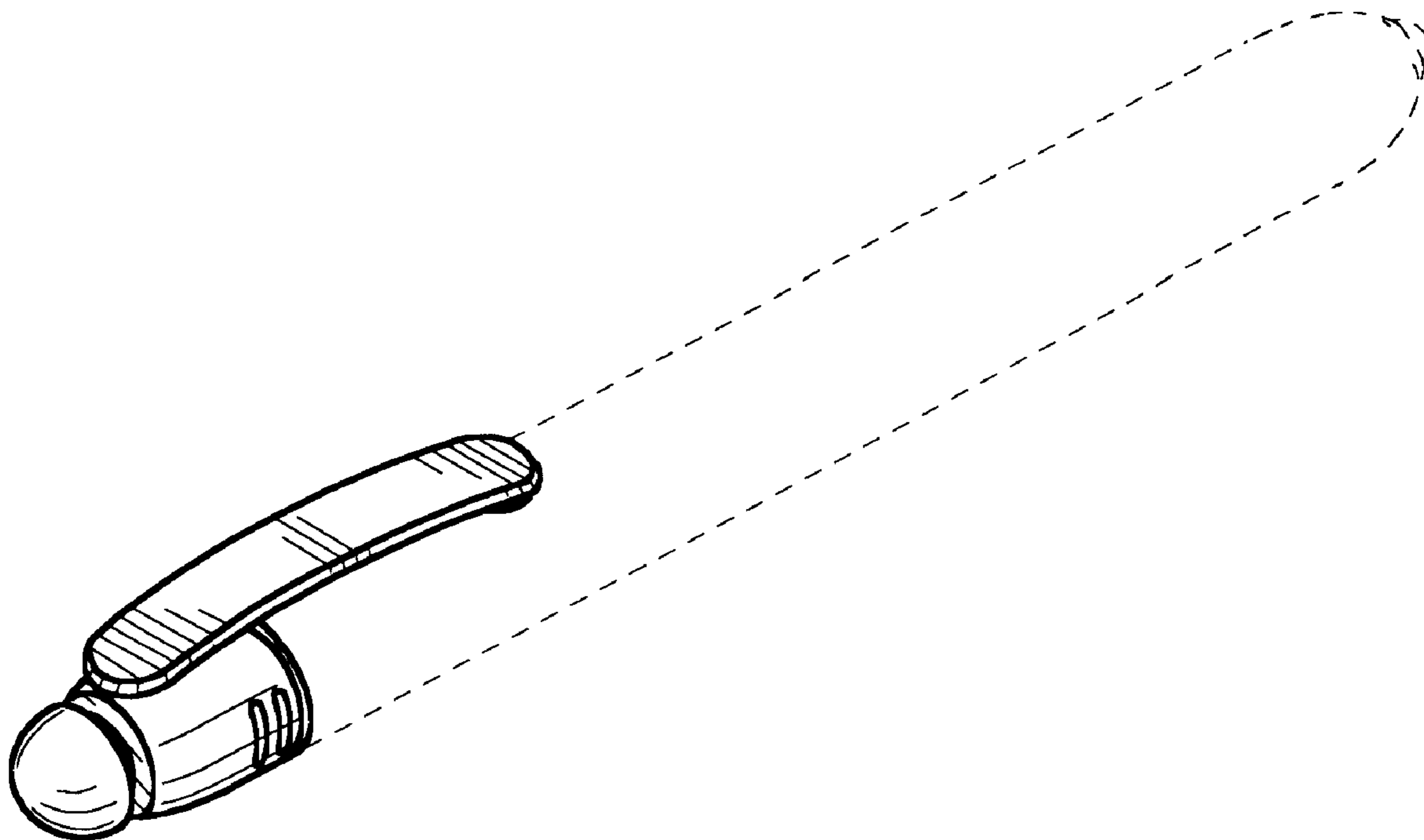
[57] **CLAIM**

The ornamental design for a penlight, as shown and described.

DESCRIPTION

FIG. 1 is a top end, front and left side perspective view of a penlight showing my new design;
FIG. 2 is a top end, front and right side perspective view thereof;
FIG. 3 is an enlarged fragmentary top end, front and left side perspective view thereof;
FIG. 4 is an enlarged fragmentary top end, front and right side perspective view thereof;
FIG. 5 is a front elevational view thereof;
FIG. 6 is a rear elevational view thereof;
FIG. 7 is a left side elevational view thereof;
FIG. 8 is a right side elevational view thereof;
FIG. 9 is a top end elevational view thereof; and,
FIG. 10 is a bottom end elevational view thereof.

1 Claim, 2 Drawing Sheets



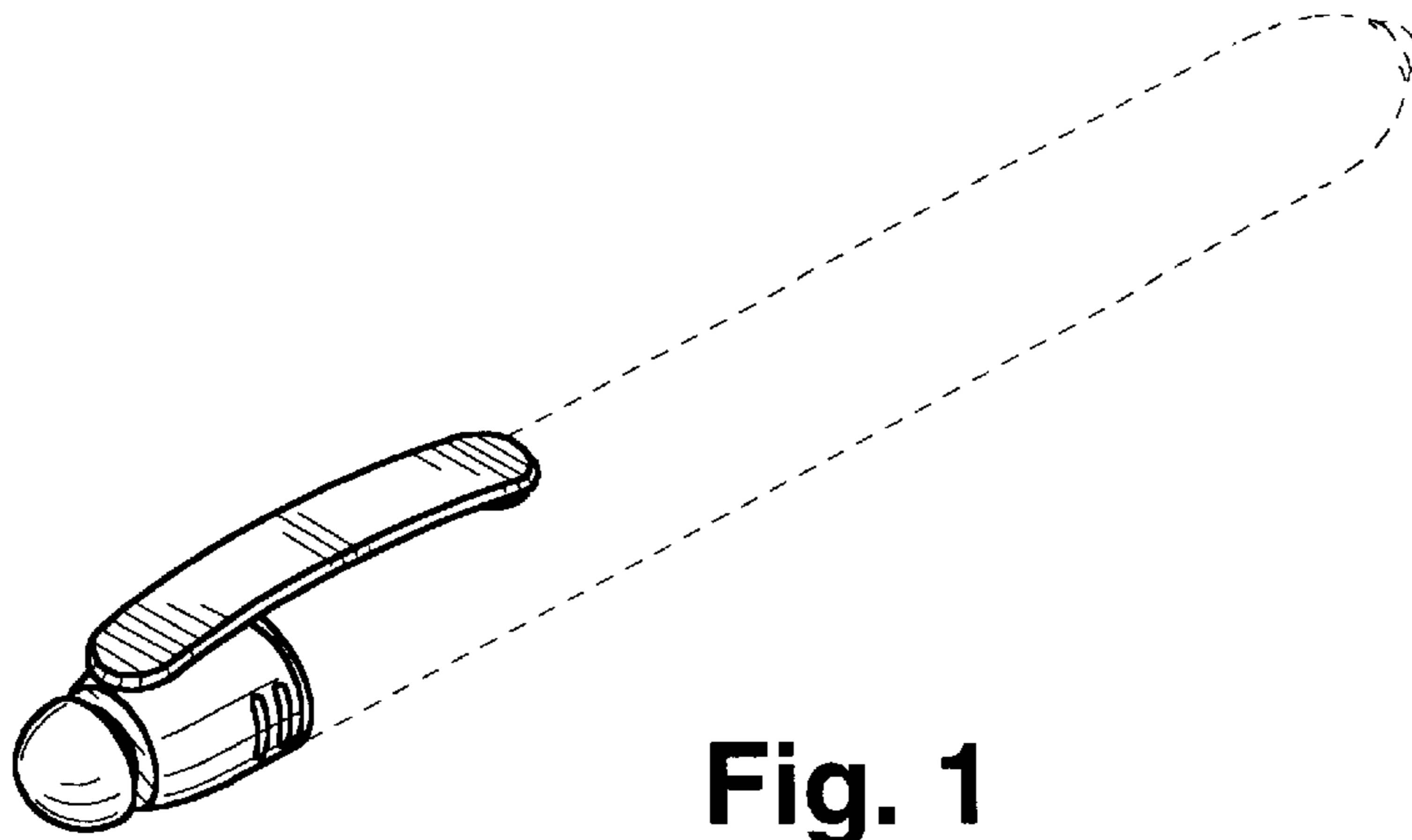


Fig. 1

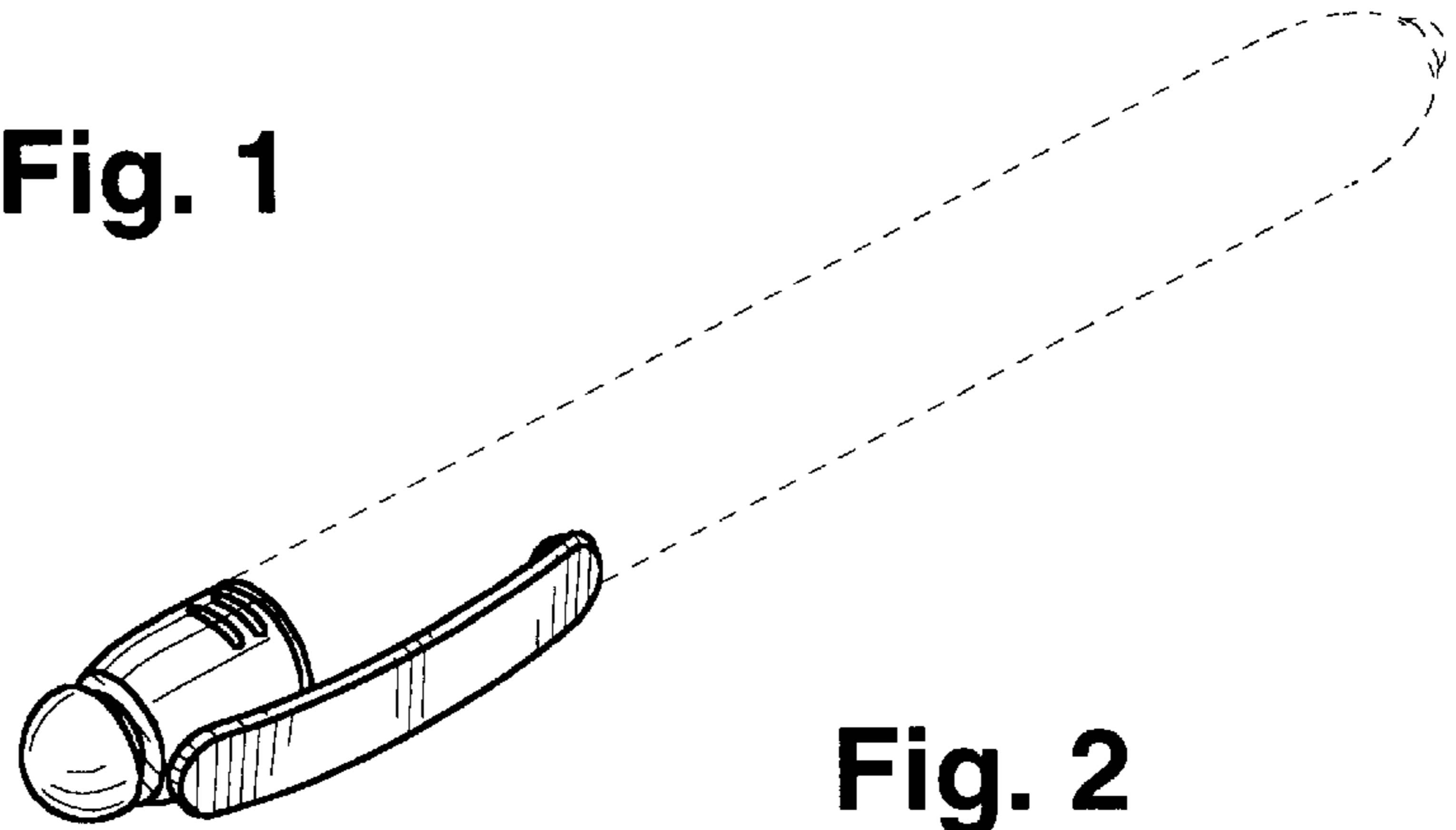


Fig. 2

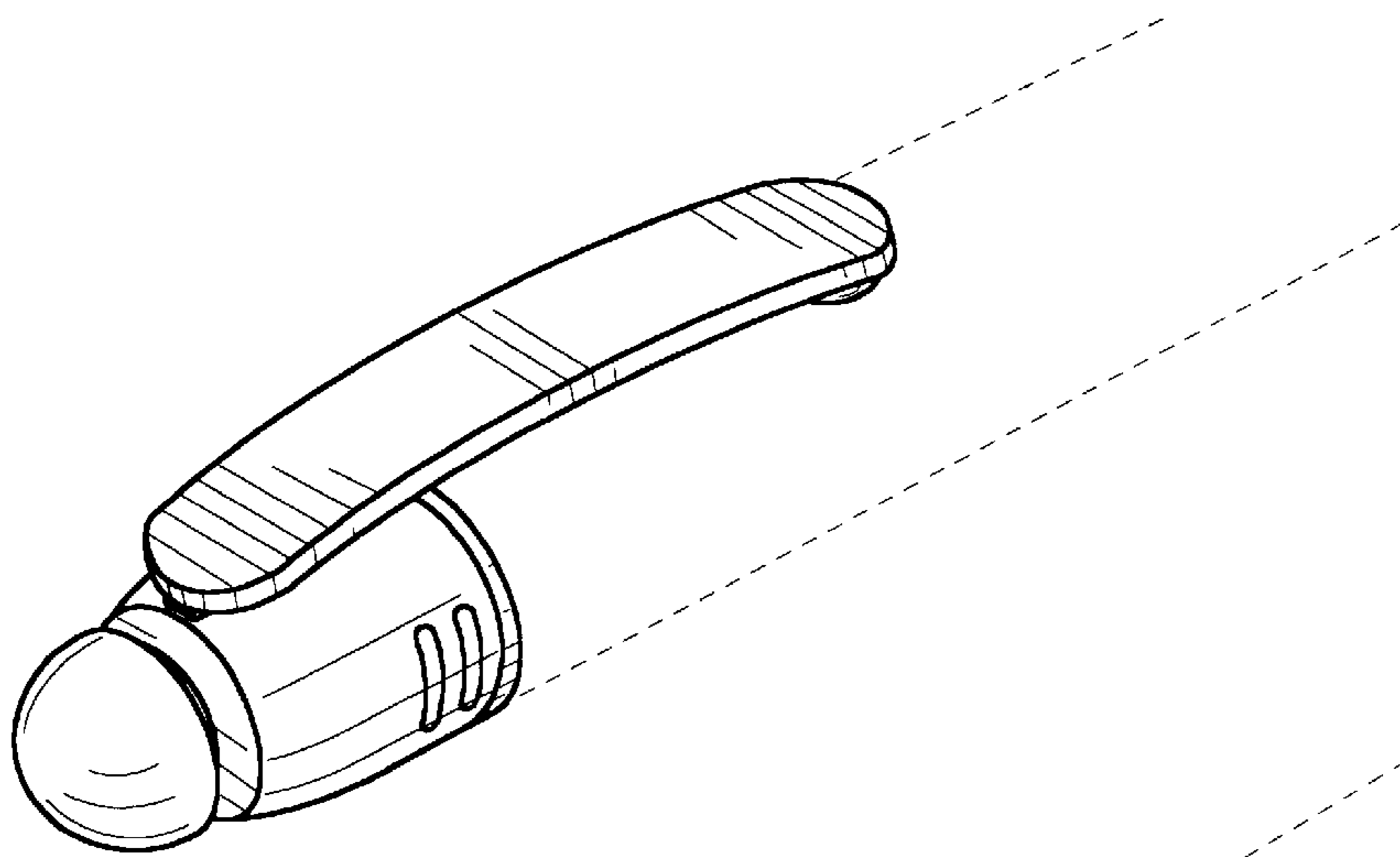


Fig. 3

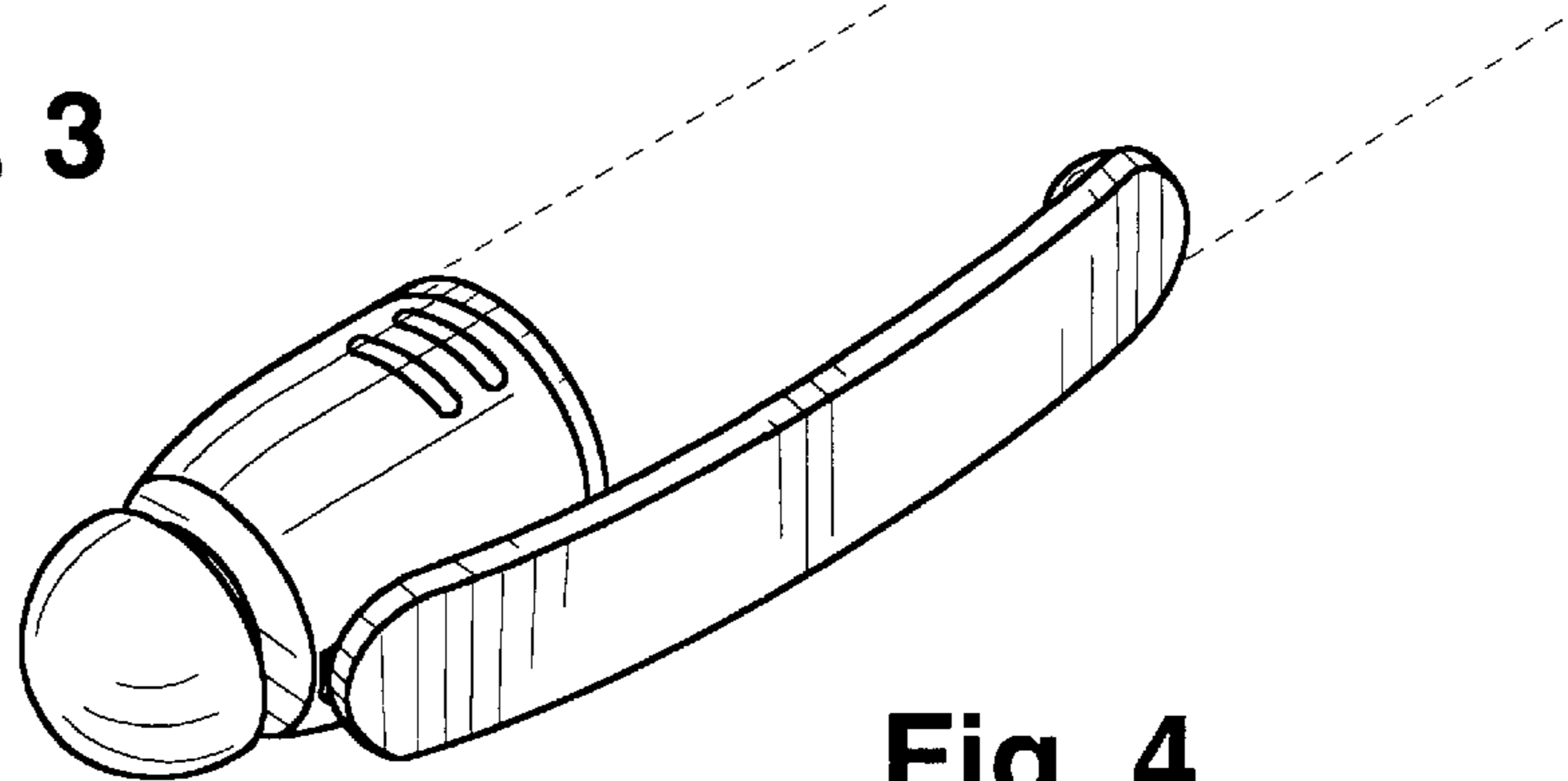


Fig. 4

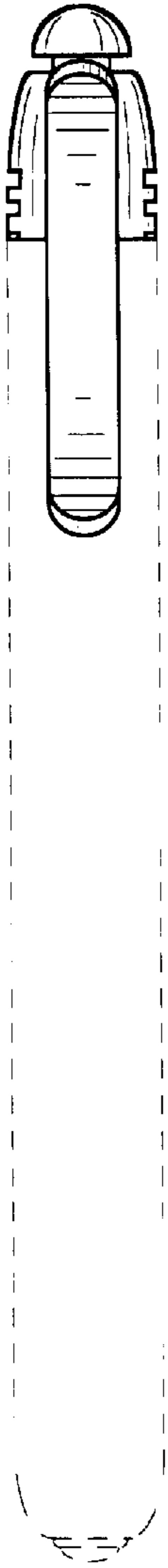


Fig. 5

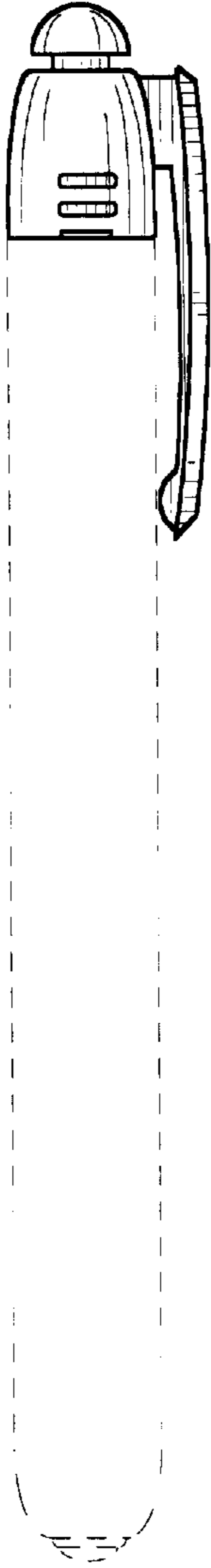


Fig. 6



Fig. 7



Fig. 8



Fig. 9



Fig. 10