



US00D410091S

United States Patent [19]

Rehmeyer et al.

[11] **Patent Number: Des. 410,091**

[45] **Date of Patent: ** May 18, 1999**

[54] **CONTACT LENS CLEANING DEVICE**

[76] Inventors: **Theodore H. Rehmeyer**, 3411 Scarsborough Dr., Winston-Salem, N.C. 27104; **Rebecca A. Fuller**, 111 Cascade Ave., Winston -Salem, N.C. 27127

[**] Term: **14 Years**

[21] Appl. No.: **29/068,418**

[22] Filed: **Apr. 3, 1997**

[51] **LOC (6) Cl. 24-01**

[52] **U.S. Cl. D24/218**

[58] **Field of Search** D24/218; 134/901, 134/140, 158

[56] **References Cited**

U.S. PATENT DOCUMENTS

- D. 256,391 8/1980 Thomas et al. D24/218
- D. 341,615 11/1993 Ifejika D24/218 X

- D. 354,070 1/1995 Chen D24/218
- 4,307,289 12/1981 Thomas et al. 422/300 X
- 4,852,594 8/1989 Chen 134/140
- 4,907,613 3/1990 Litzaw 134/158

Primary Examiner—Stella Reid

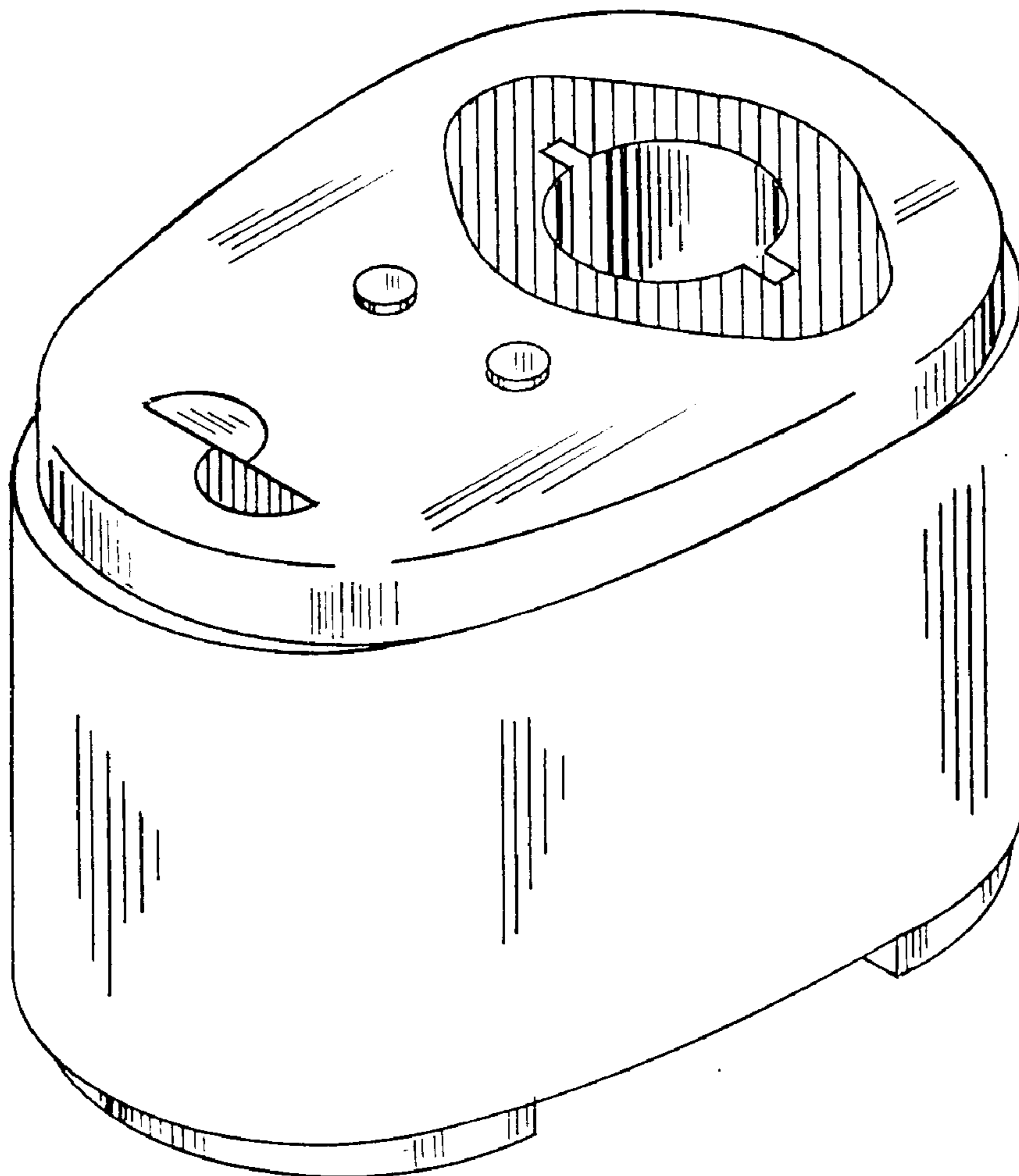
[57] **CLAIM**

The ornamental design for a contact lens cleaning device, as shown and described.

DESCRIPTION

FIG. 1 is a side elevational view showing my new design with the opposite side being identical thereto;
 FIG. 2 is a front elevational view thereof;
 FIG. 3 is a back elevational view thereof;
 FIG. 4 is a top plan view thereof;
 FIG. 5 is a bottom plan view thereof; and,
 FIG. 6 is a perspective view thereof.

1 Claim, 1 Drawing Sheet



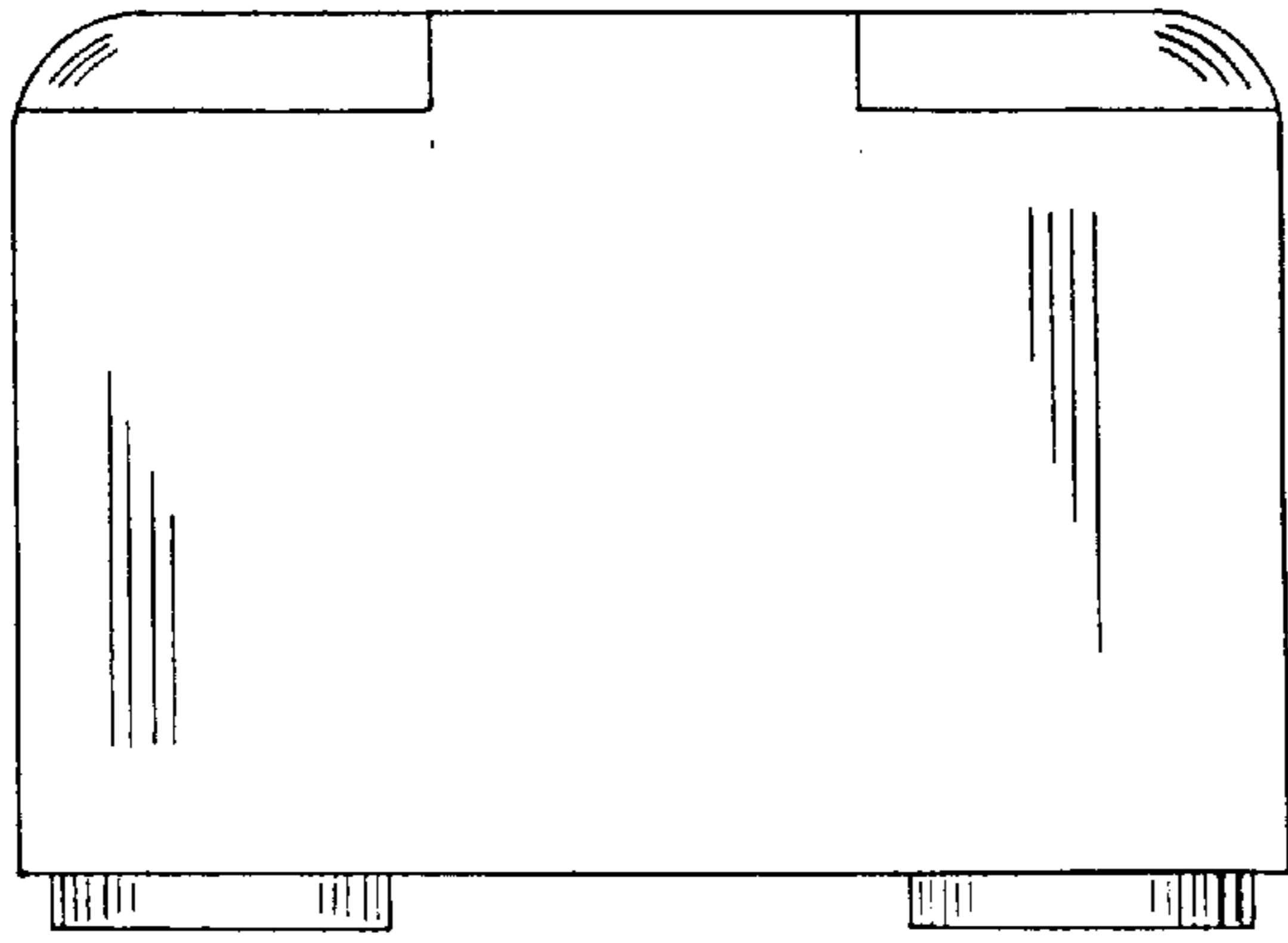


FIG. 1

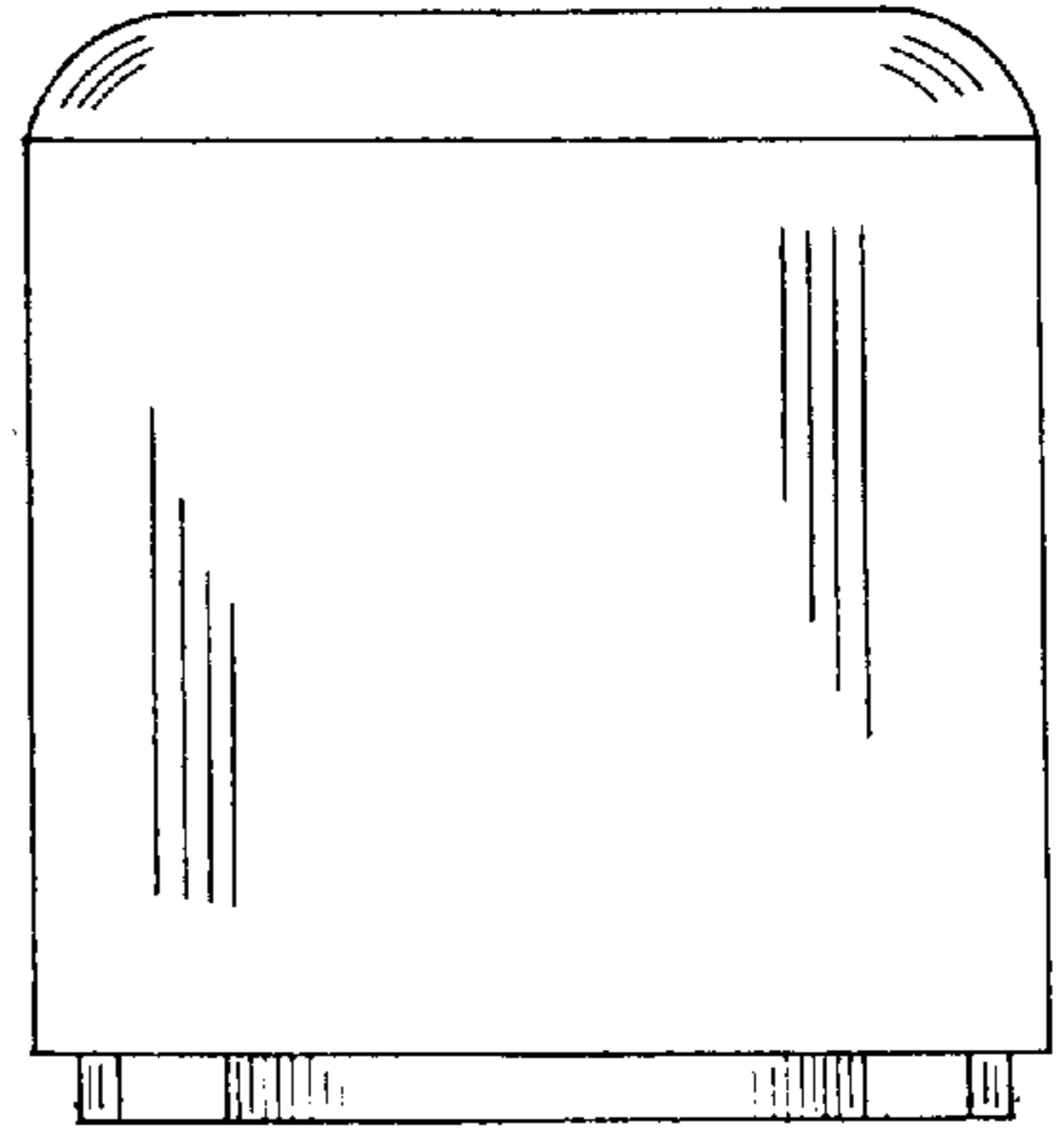


FIG. 2

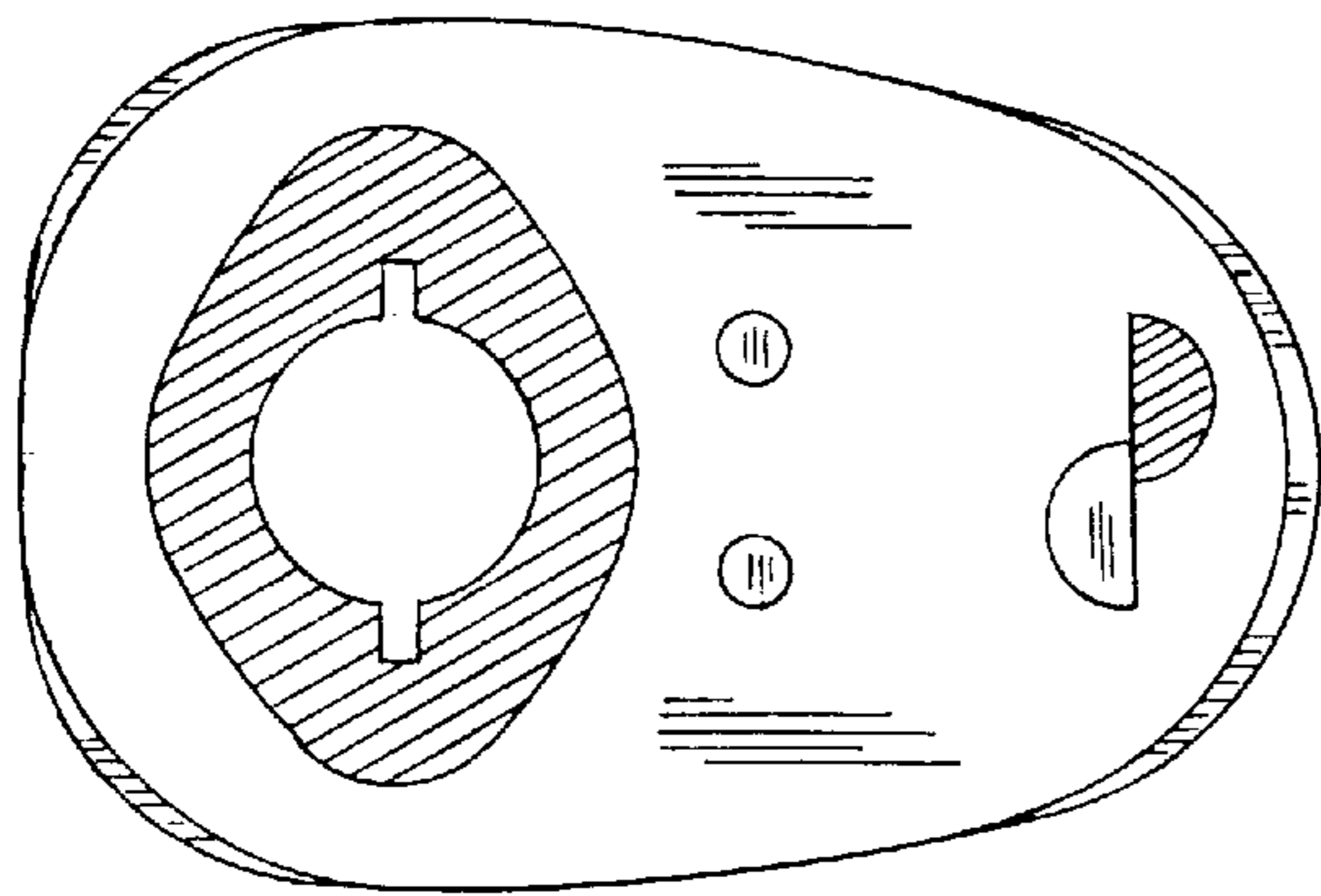


FIG. 4

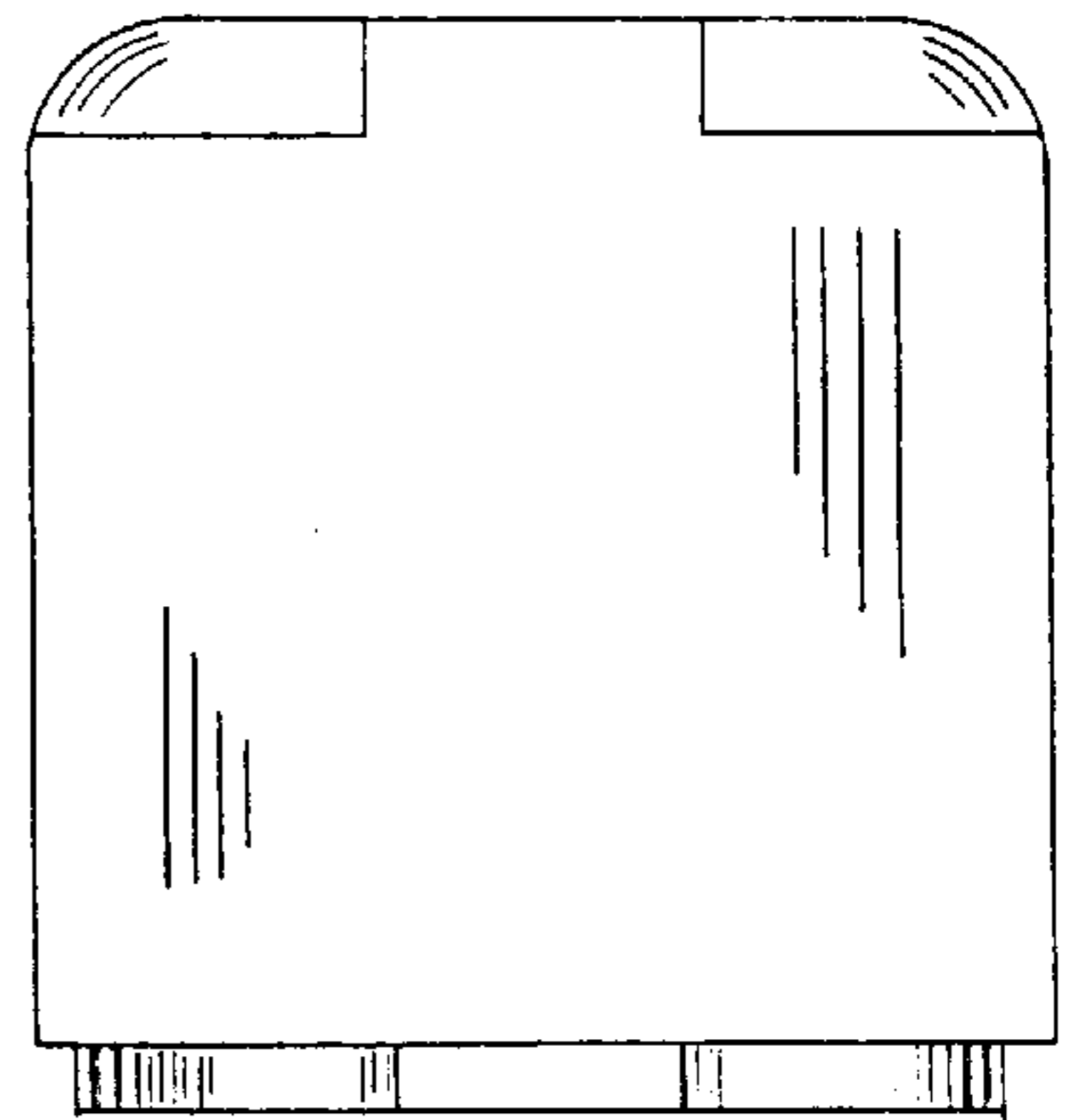


FIG. 3

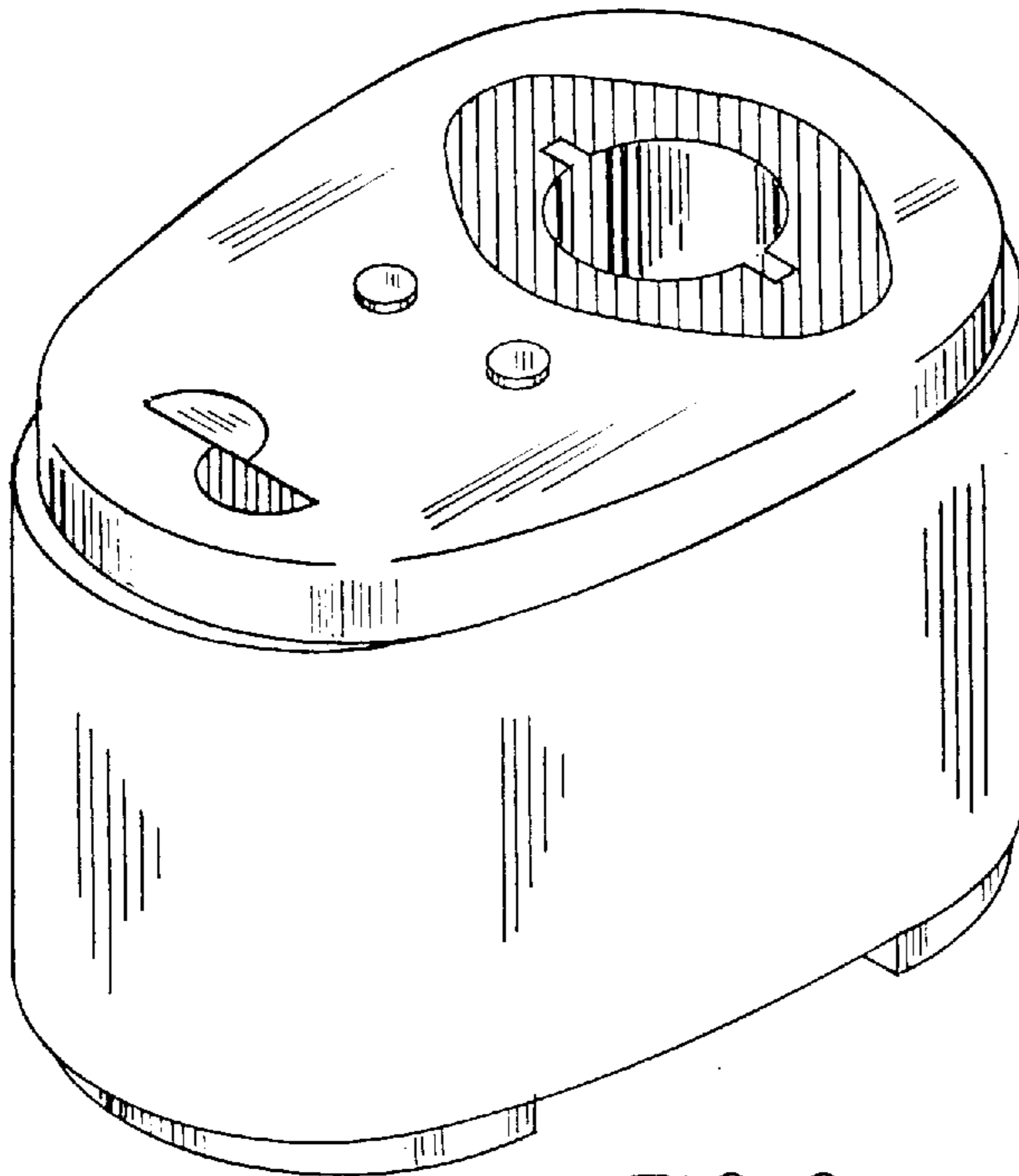


FIG. 6

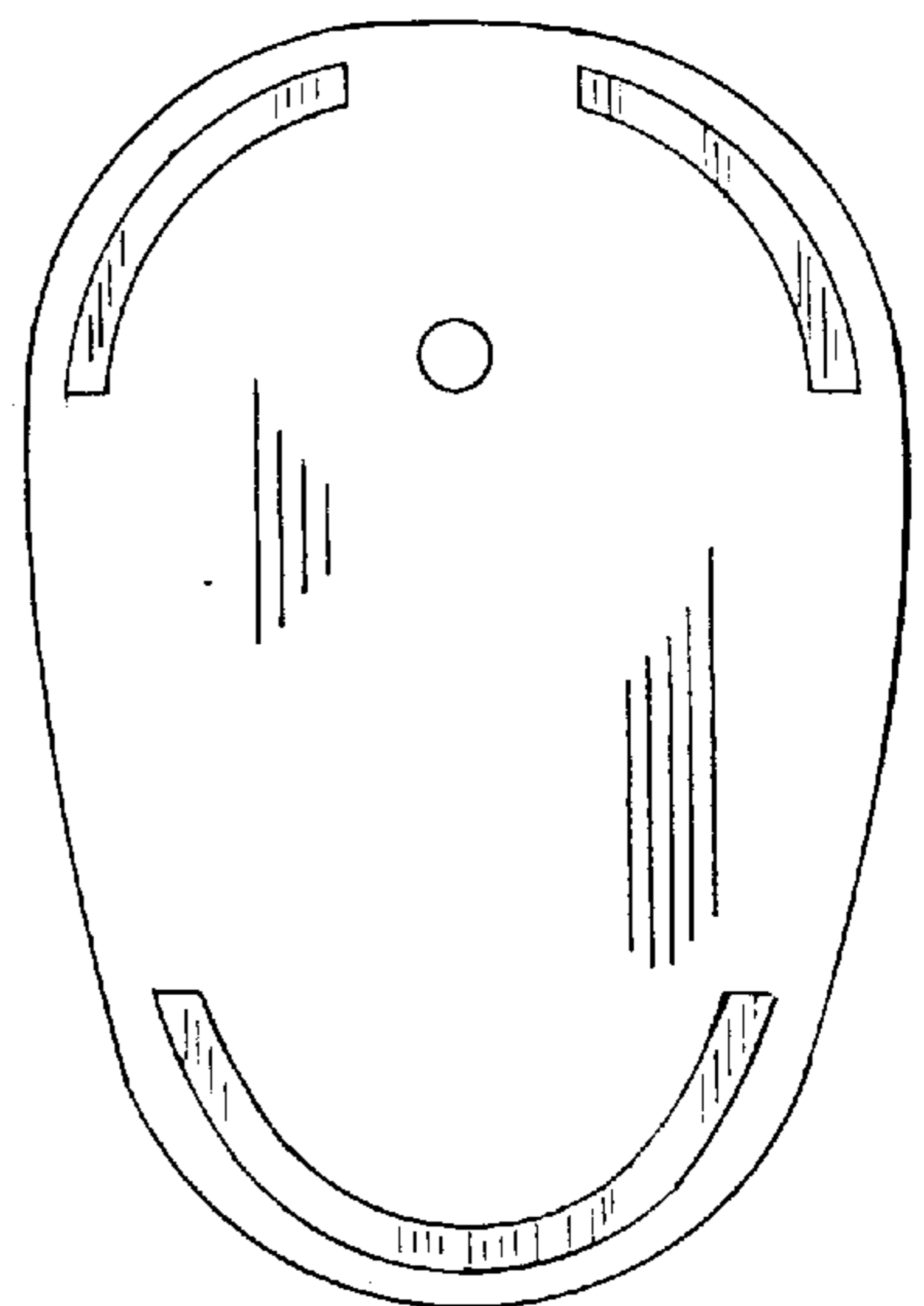


FIG. 5