



US00D410089S

United States Patent [19]
Schiavoni

[11] **Patent Number: Des. 410,089**

[45] **Date of Patent: ** May 18, 1999**

[54] **RESILIENT JAW SUPPORT**

[76] Inventor: **Mary E. Schiavoni**, 136 Arlington St.,
Brighton, Mass. 02135

[**] Term: **14 Years**

[21] Appl. No.: **29/082,862**

[22] Filed: **Oct. 6, 1997**

[51] **LOC (6) Cl.** **24-04**

[52] **U.S. Cl.** **D24/191**

[58] **Field of Search** D24/188, 190-192;
602/5, 6, 17, 902; 128/869, 876

4,650,182 3/1987 Ross .
4,666,148 5/1987 Crawford .
5,031,906 7/1991 Fye 602/17
5,361,416 11/1994 Petrie et al. 602/902
5,484,359 1/1996 Wabafiyebazu .

Primary Examiner—Louis S. Zarfes
Assistant Examiner—G. Andoll
Attorney, Agent, or Firm—O'Connell Law Firm

[57] **CLAIM**

I claim the ornamental design for a resilient jaw support, as shown and described.

DESCRIPTION

FIG. 1 is a view in side elevation of a resilient jaw support embodying my new design, the other side being a mirror image thereof;

FIG. 2 is a perspective view thereof;

FIG. 3 is a top plan view thereof; and,

FIG. 4 is a bottom plan view thereof.

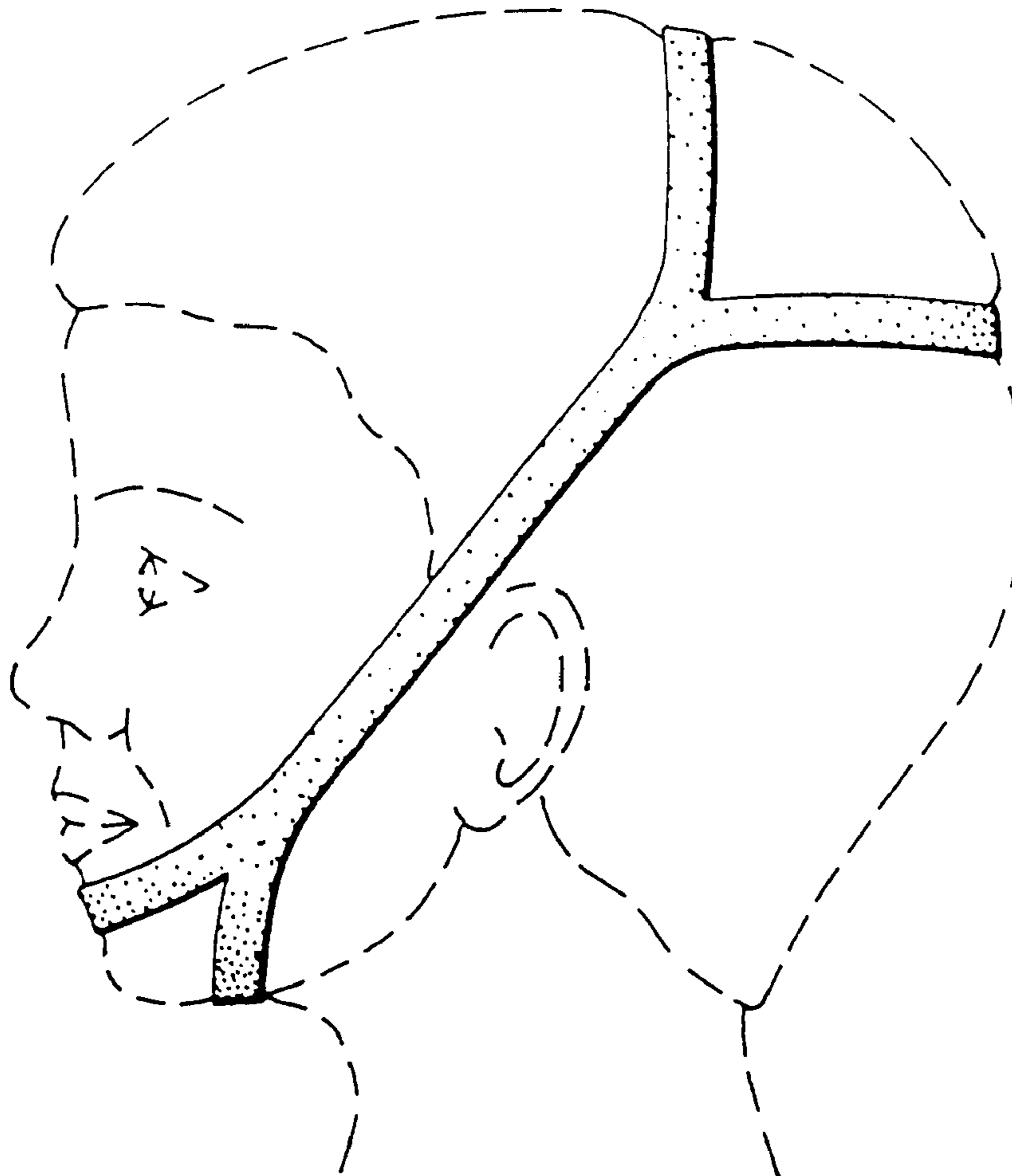
The broken lines of FIG. 1 showing the head of a wearer of the resilient jaw support are for illustrative purposes only and form no part of the claimed design.

[56] **References Cited**

U.S. PATENT DOCUMENTS

D. 95,729	5/1935	Brown	D24/191
D. 235,788	7/1975	Eberhardt	.	
D. 235,789	7/1975	Eberhardt	.	
649,896	5/1900	Baughman	602/902
904,760	11/1908	Cutting	602/908
1,587,558	6/1926	Sheffield	.	
1,992,904	2/1935	Preston	.	
3,571,930	3/1971	De Woskin	.	

1 Claim, 2 Drawing Sheets



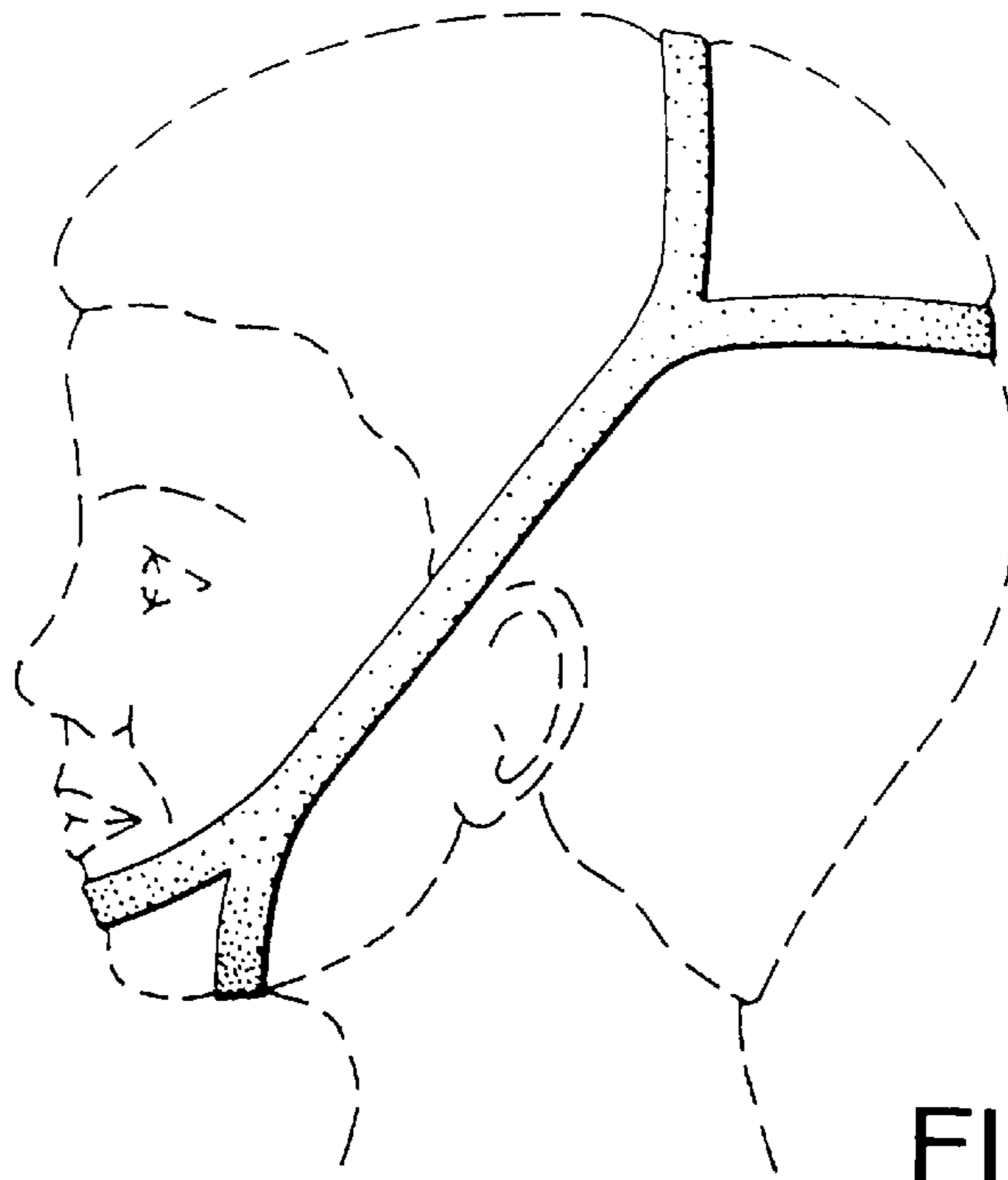


FIG. 1

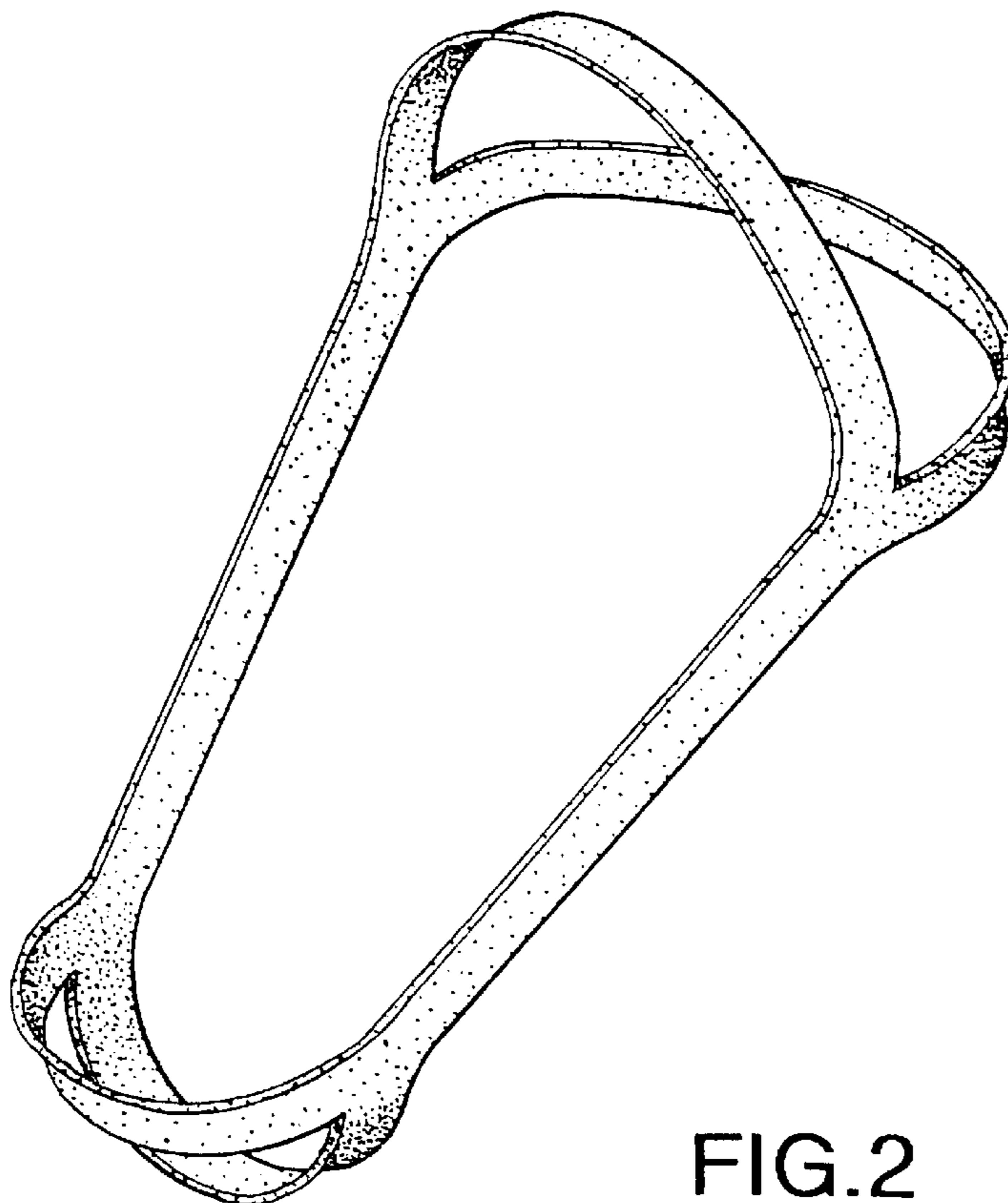


FIG. 2

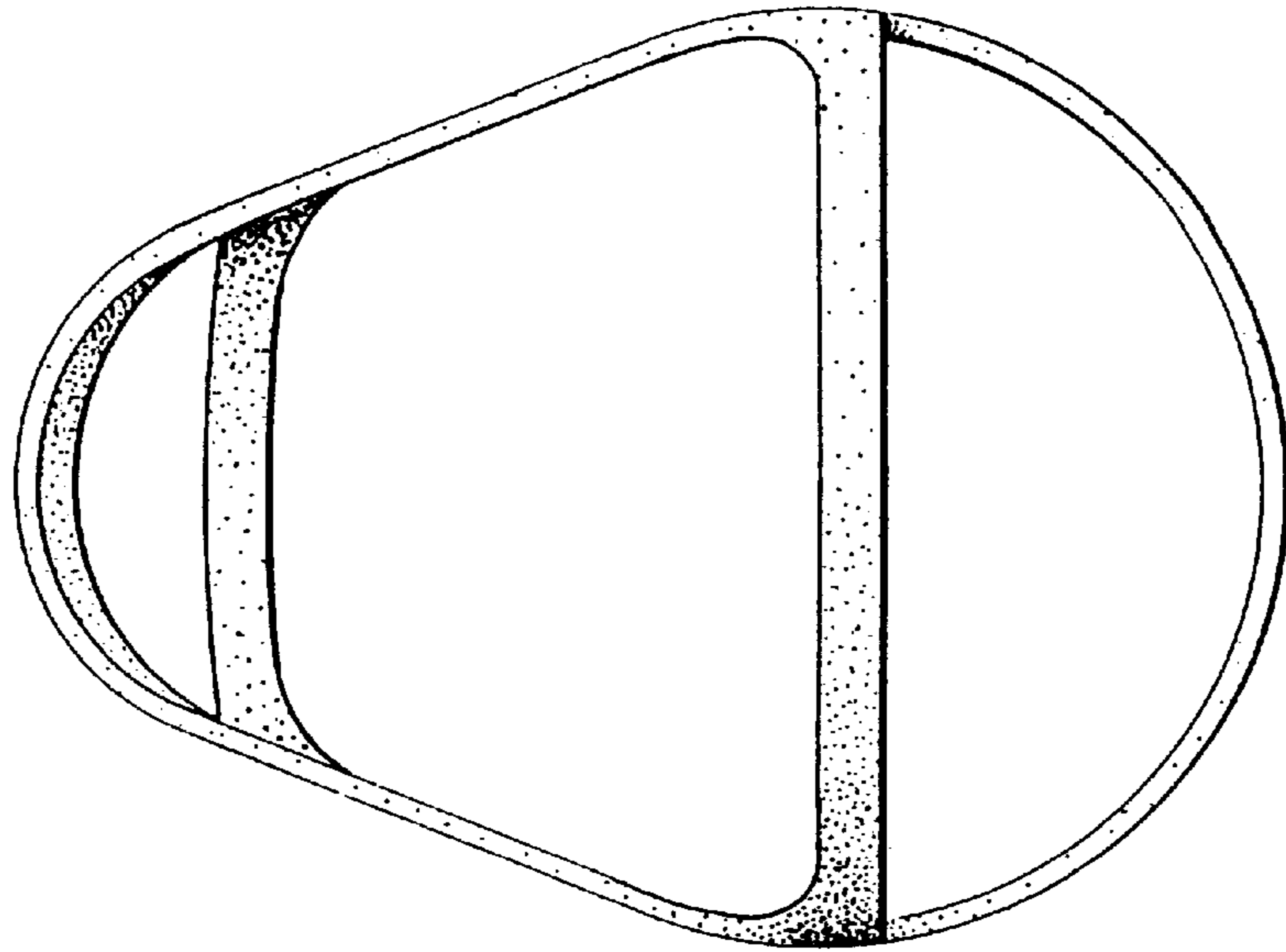


FIG.3

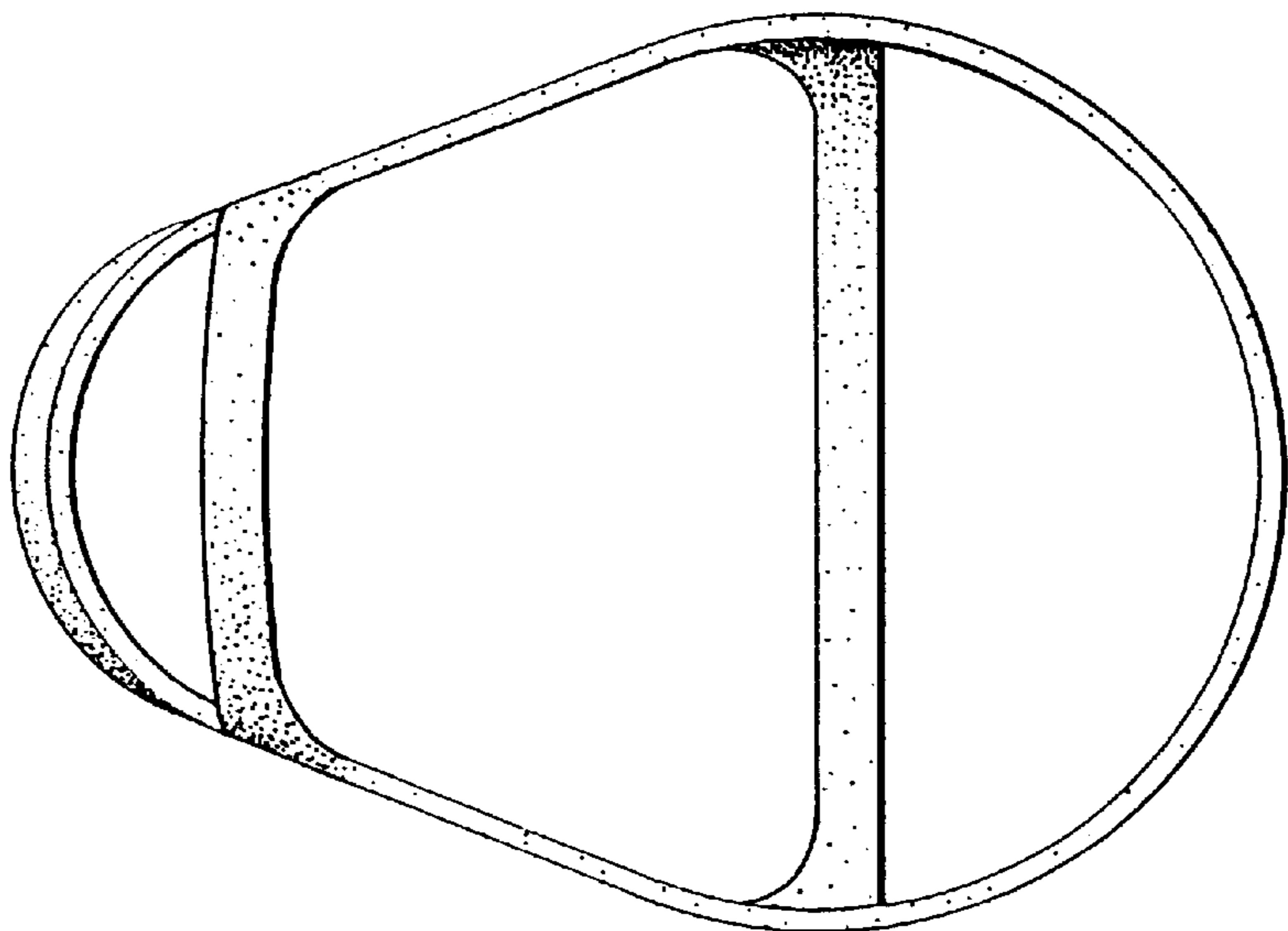


FIG.4