



US00D410086S

United States Patent [19]

[11] **Patent Number: Des. 410,086**

Hacker et al.

[45] **Date of Patent: ** May 18, 1999**

[54] **SHUNT SENSOR FOR BLOOD GAS MEASUREMENT**

5,104,623	4/1992	Miller	422/82.06
5,128,019	7/1992	Karpf et al.	204/416
5,171,029	12/1992	Maxwell et al.	277/212 R
5,289,255	2/1994	Mullin et al.	356/246

[75] Inventors: **Thomas G. Hacker**, Anaheim; **Ronald G. Holder**, Laguna Niguel, both of Calif.

FOREIGN PATENT DOCUMENTS

0 399 227 11/1990 European Pat. Off. .

[73] Assignee: **Minnesota Mining and Manufacturing Company**, St. Paul, Minn.

OTHER PUBLICATIONS

CDI¹⁹⁸ 400 Extracorporeal Blood Gas Monitoring System, Operator's Manual, CDI, 3M Health Care (In existence prior to Feb. 26, 1997).

[**] Term: **14 Years**

Primary Examiner—Stella Reid
Attorney, Agent, or Firm—F. Andrew Ubel

[21] Appl. No.: **29/084,339**

[22] Filed: **Feb. 26, 1998**

[57] CLAIM

Related U.S. Application Data

The ornamental design for a shunt sensor for blood gas measurement, as shown and described.

[63] Continuation-in-part of application No. 08/810,954, Feb. 27, 1997, abandoned.

DESCRIPTION

[51] **LOC (6) Cl.** **24-01**

[52] **U.S. Cl.** **D24/169**

[58] **Field of Search** D24/165, 169, D24/164, 129; 422/68.1, 81, 82, 86, 48, 55, 57, 82.06, 82.07, 101; 210/103, 232, 445; 436/68, 138, 172; 356/246, 39-41

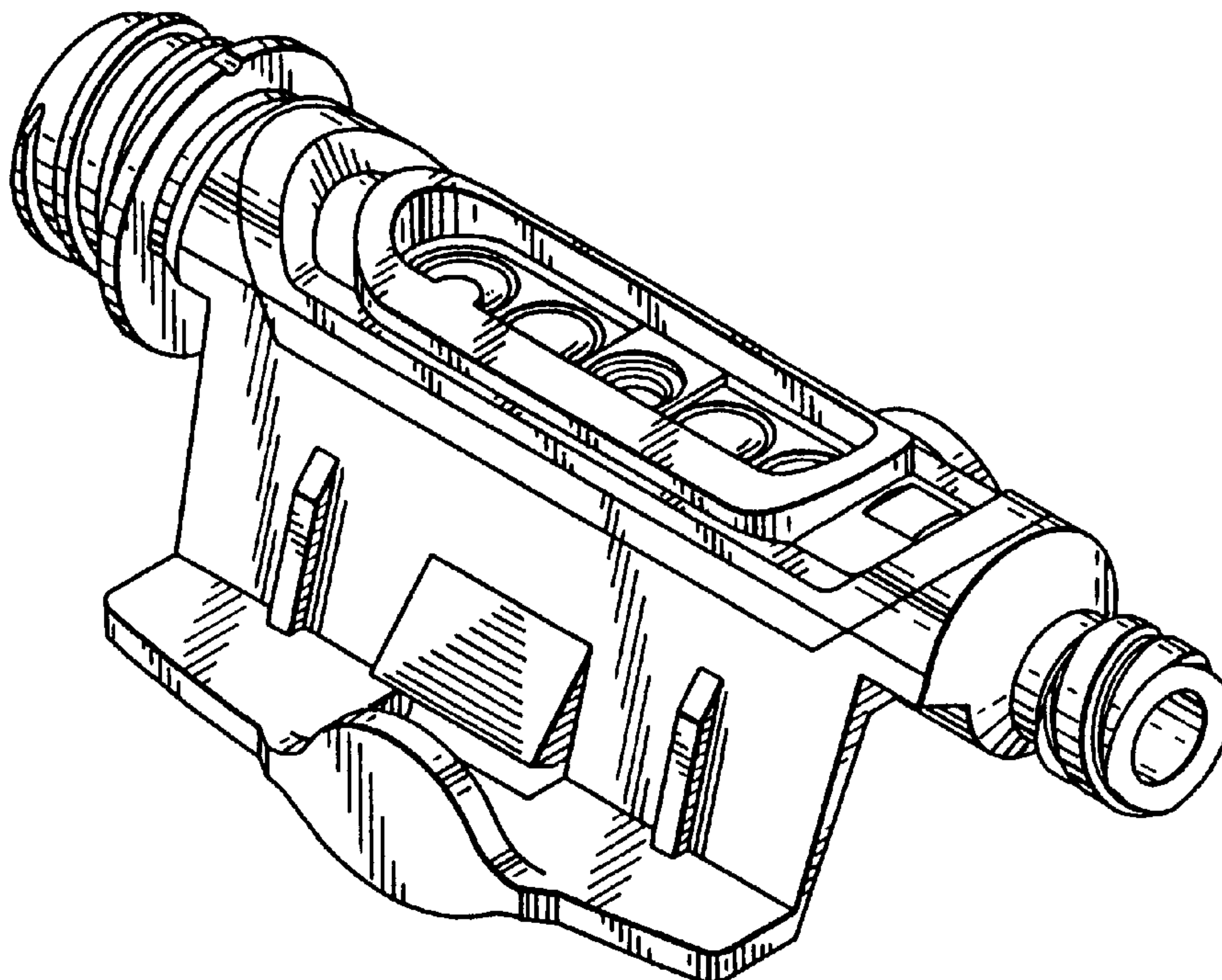
FIG. 1 is a first perspective view of a shunt sensor for blood gas measurement showing our new design; FIG. 2 is a second perspective view thereof; FIG. 3 is a first end view thereof; FIG. 4 is a left side view thereof, the right side view being a mirror image thereof; FIG. 5 is a second end view thereof; FIG. 6 is a top view thereof; FIG. 7 is a bottom view thereof; and, FIG. 8 is a perspective view thereof, with the broken line showing of the caps and filter assemblies being for illustrative purposes only and forming no part of the claimed design.

[56] References Cited

U.S. PATENT DOCUMENTS

D. 326,718	6/1992	Maxwell et al.	D24/169
D. 348,734	7/1994	Arp	D24/224
D. 353,198	12/1994	Blasdell et al.	D24/164
4,444,498	4/1984	Heinemann	356/246
4,640,820	2/1987	Cooper	422/68
4,745,279	5/1988	Karkar et al.	250/343
4,786,474	11/1988	Cooper	422/68

1 Claim, 4 Drawing Sheets



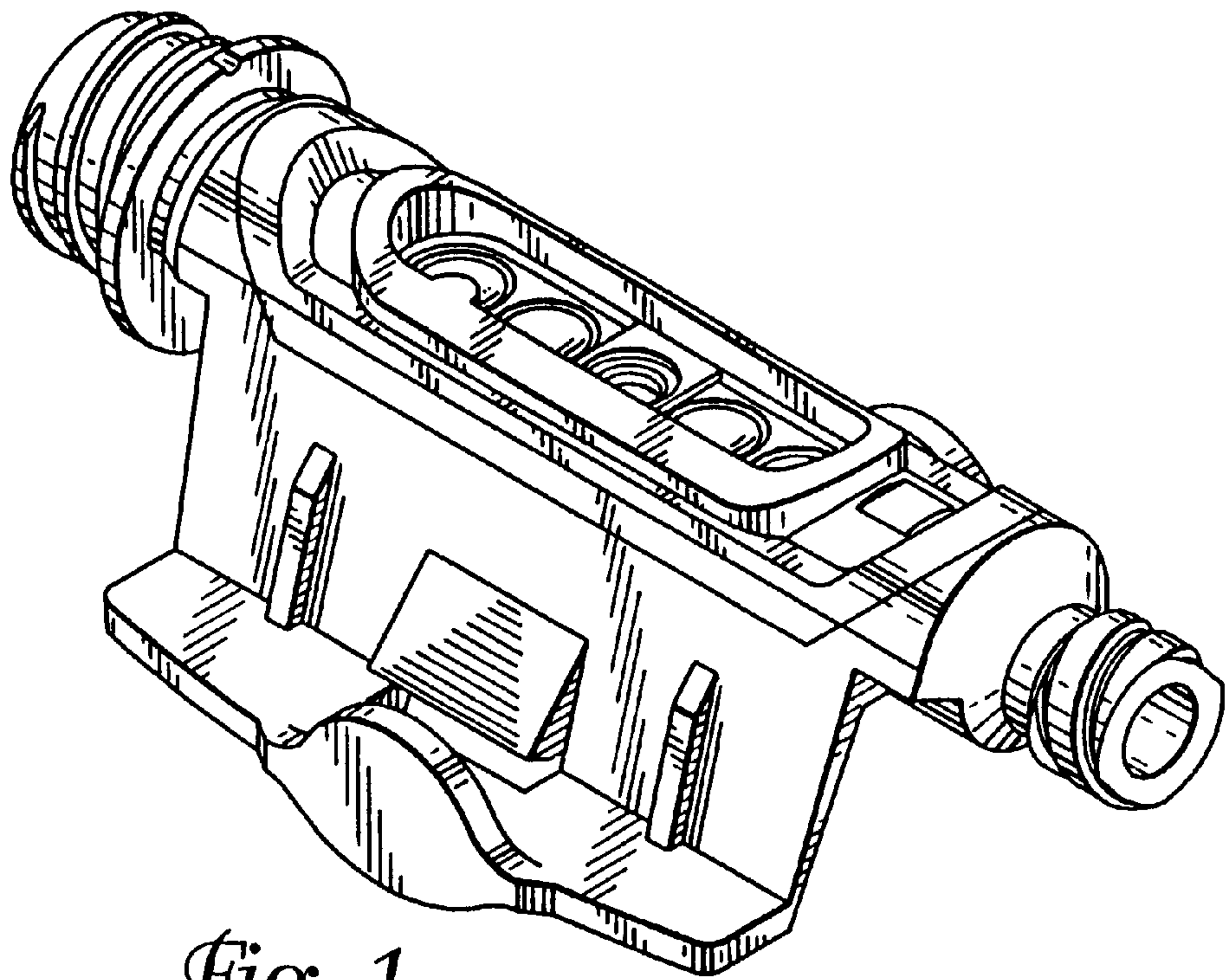


Fig. 1

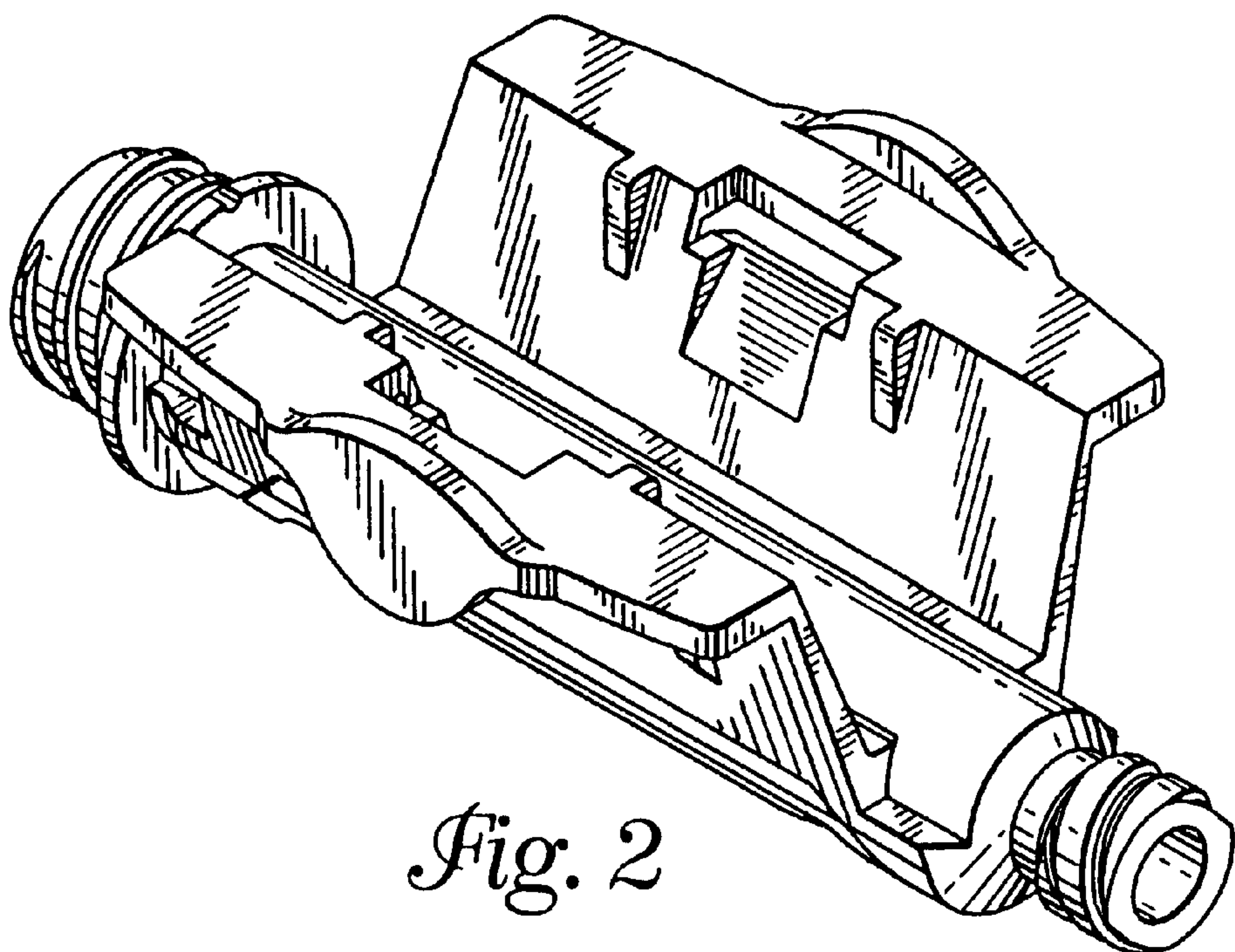


Fig. 2

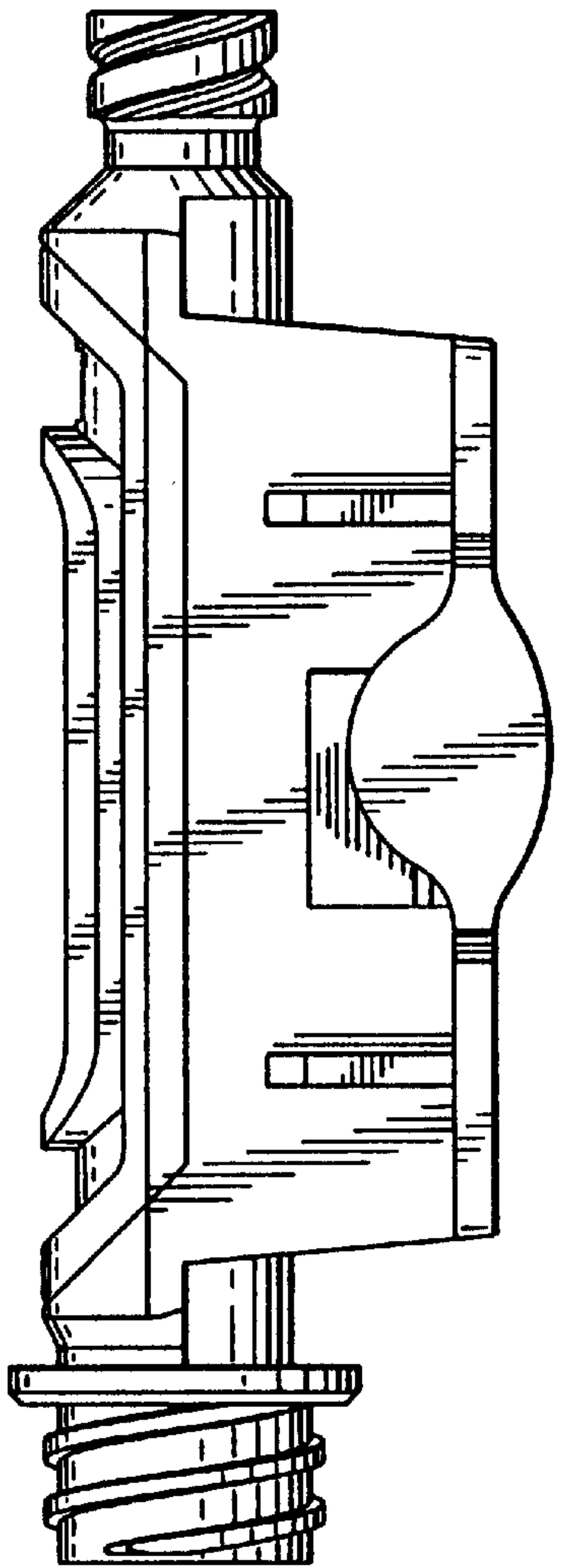


Fig. 4

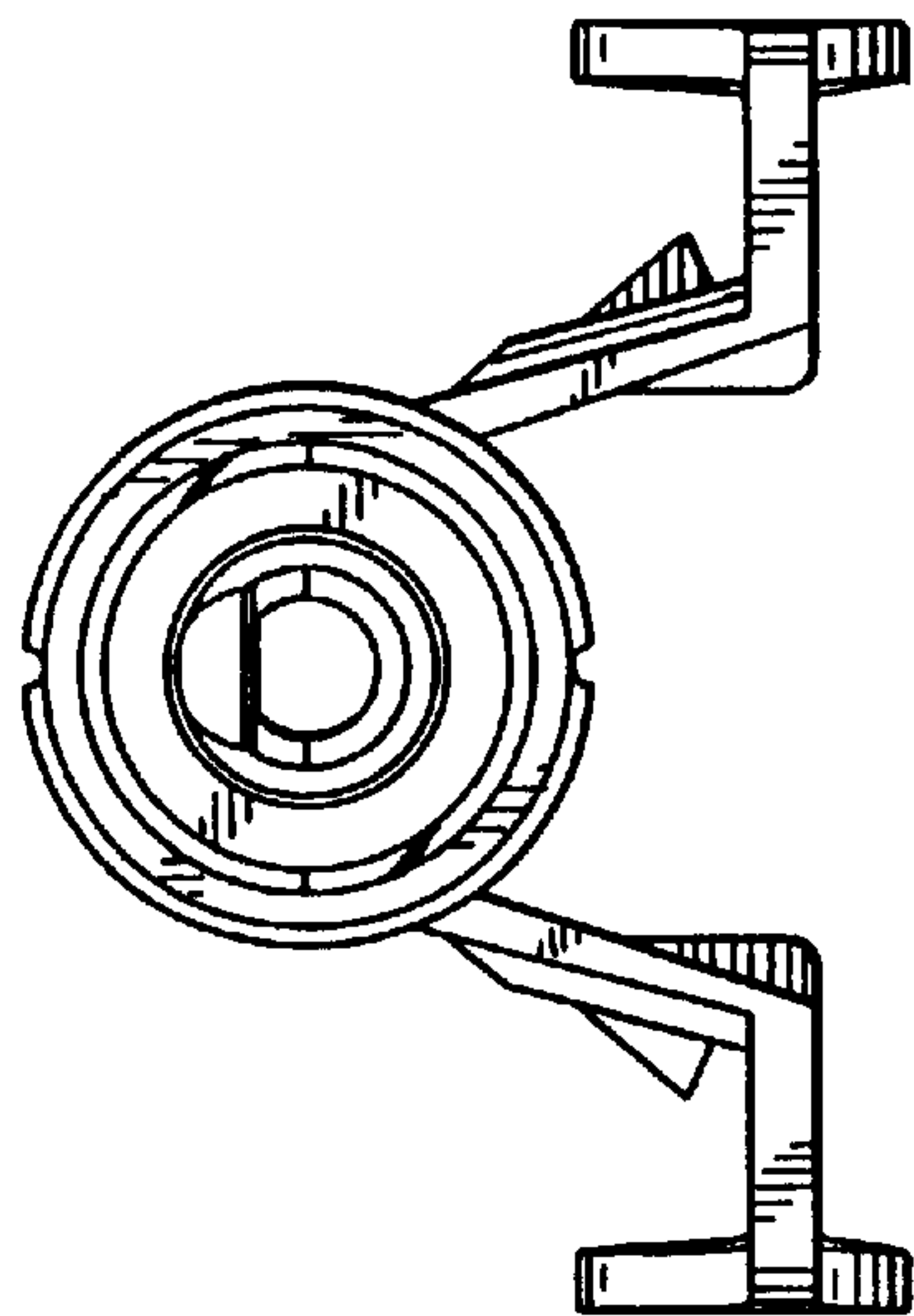


Fig. 3

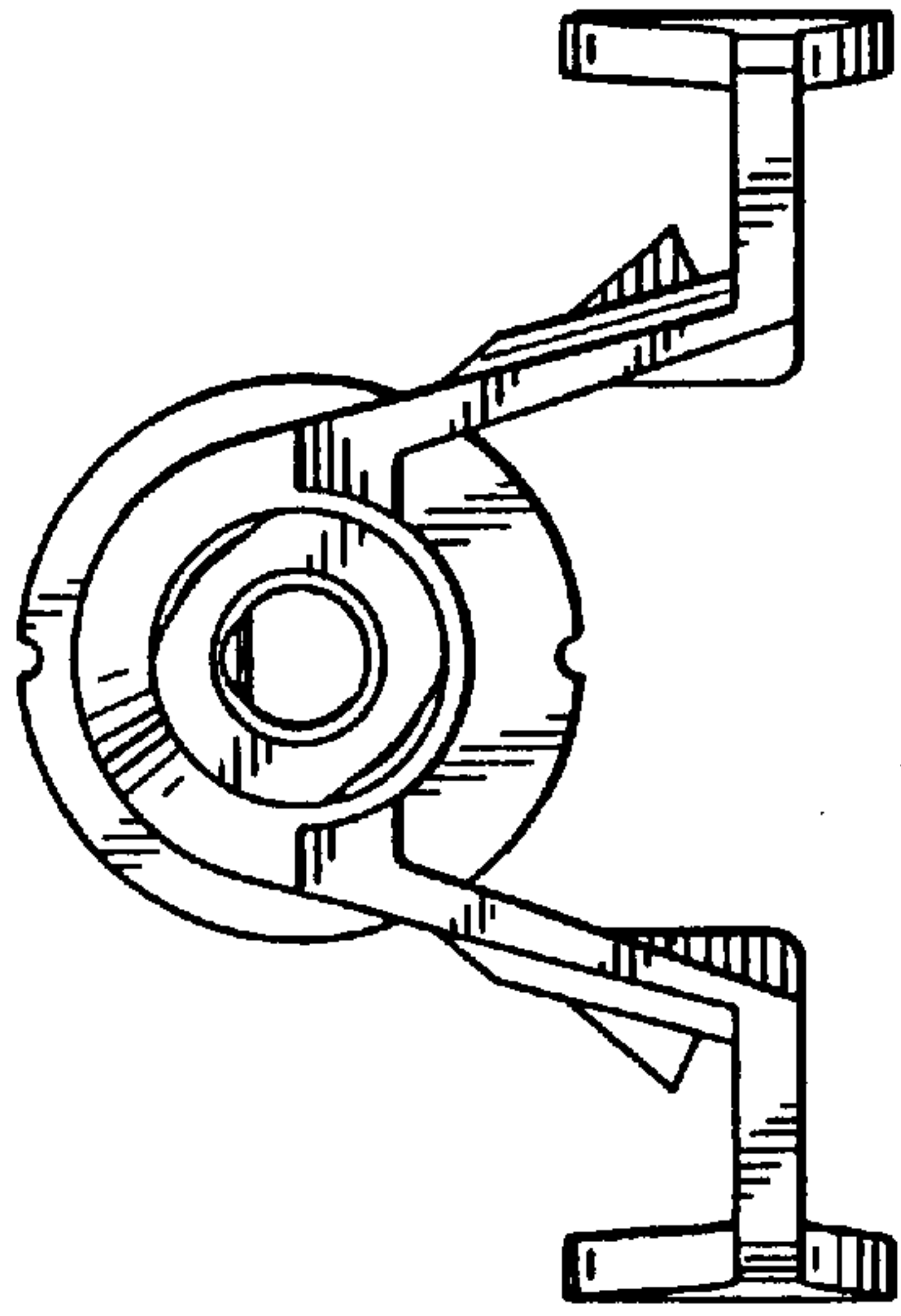


Fig. 5

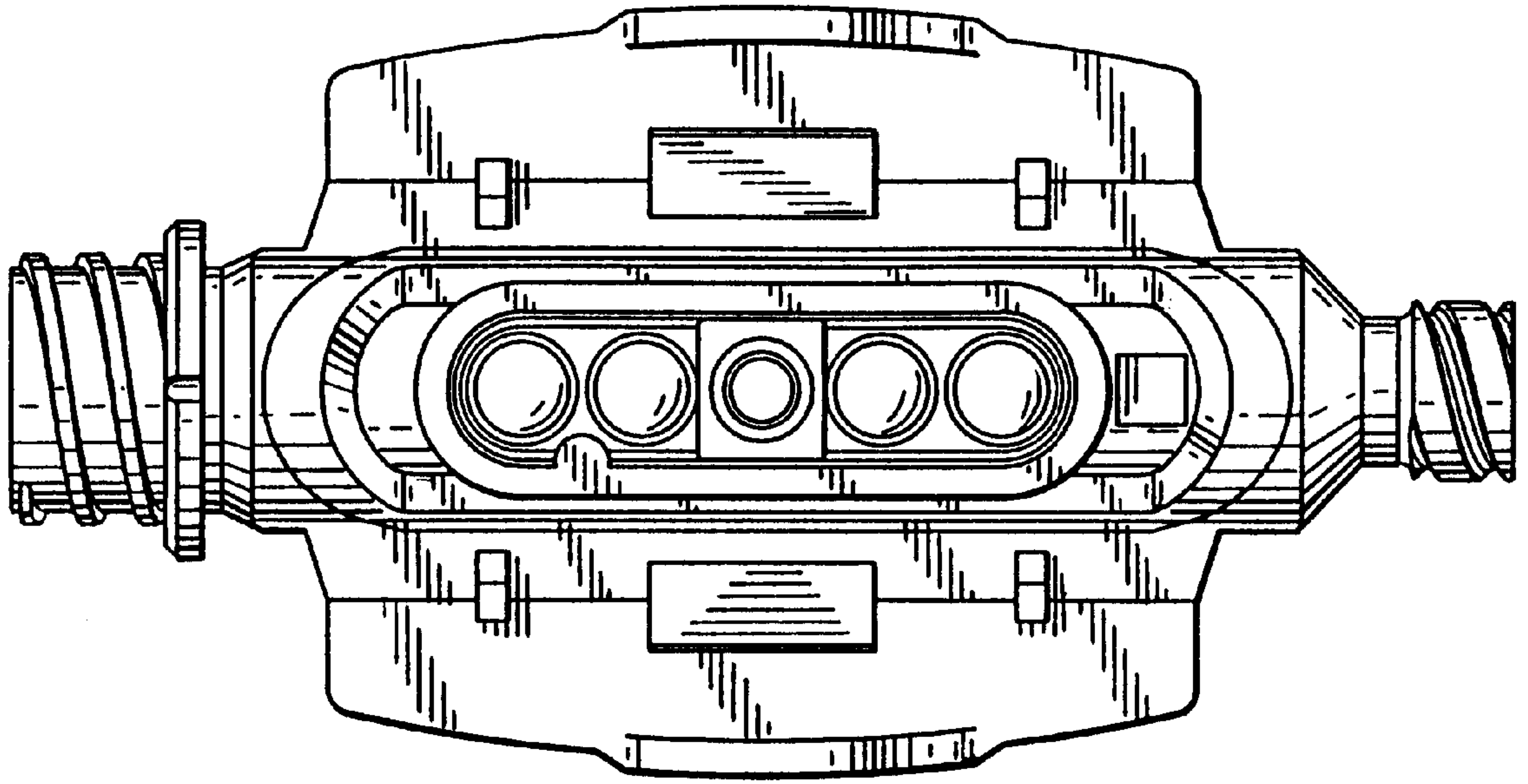


Fig. 6

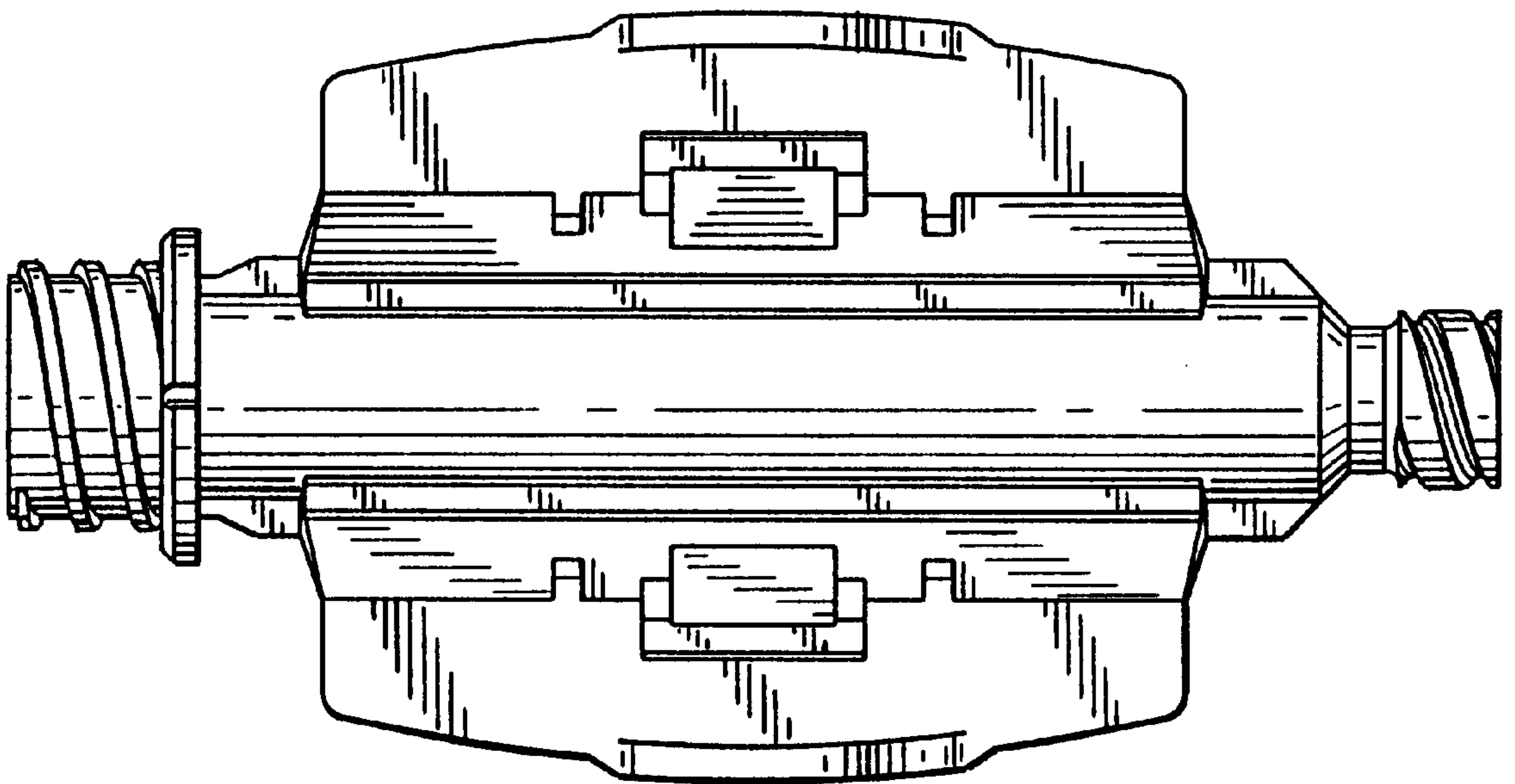


Fig. 7

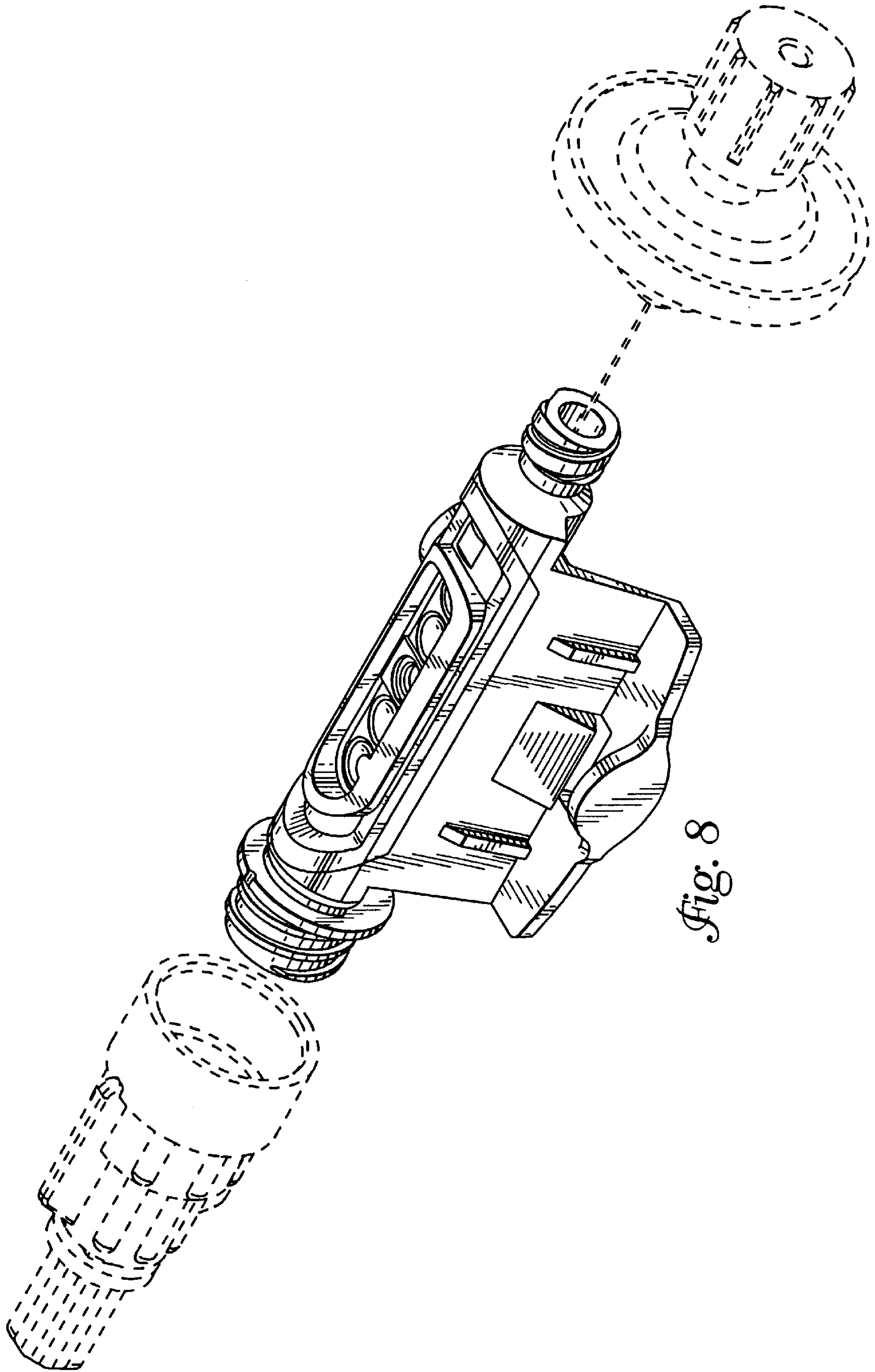


Fig. 8