



US00D410084S

United States Patent [19]

Tumey et al.

[11] Patent Number: Des. 410,084

[45] Date of Patent: ** May 18, 1999

[54] MEDICAL IMAGING EXAMINATION TABLE

[75] Inventors: David M. Tumey; L. Tab Randolph, both of San Antonio, Tex.

[73] Assignee: KCI New Technologies, Inc., San Antonio, Tex.

[**] Term: 14 Years

[21] Appl. No.: 29/092,869

[22] Filed: Aug. 28, 1998

[51] LOC (6) Cl. 24-01

[52] U.S. Cl. D24/159; D24/183

[58] Field of Search D24/159, 158, D24/183; 5/600, 601

[56] References Cited

U.S. PATENT DOCUMENTS

D. 392,741	3/1998	Blanchard et al.	D24/183
4,195,829	4/1980	Reser	5/601
4,856,741	8/1989	Schaefer	5/601 X

5,013,018	5/1991	Sicek et al.	5/601
5,490,297	2/1996	Bradovich et al.	5/601
5,564,662	10/1996	Lüssi et al.	248/188.2

Primary Examiner—Stella Reid
Attorney, Agent, or Firm—Wayne J. Colton, Inc.

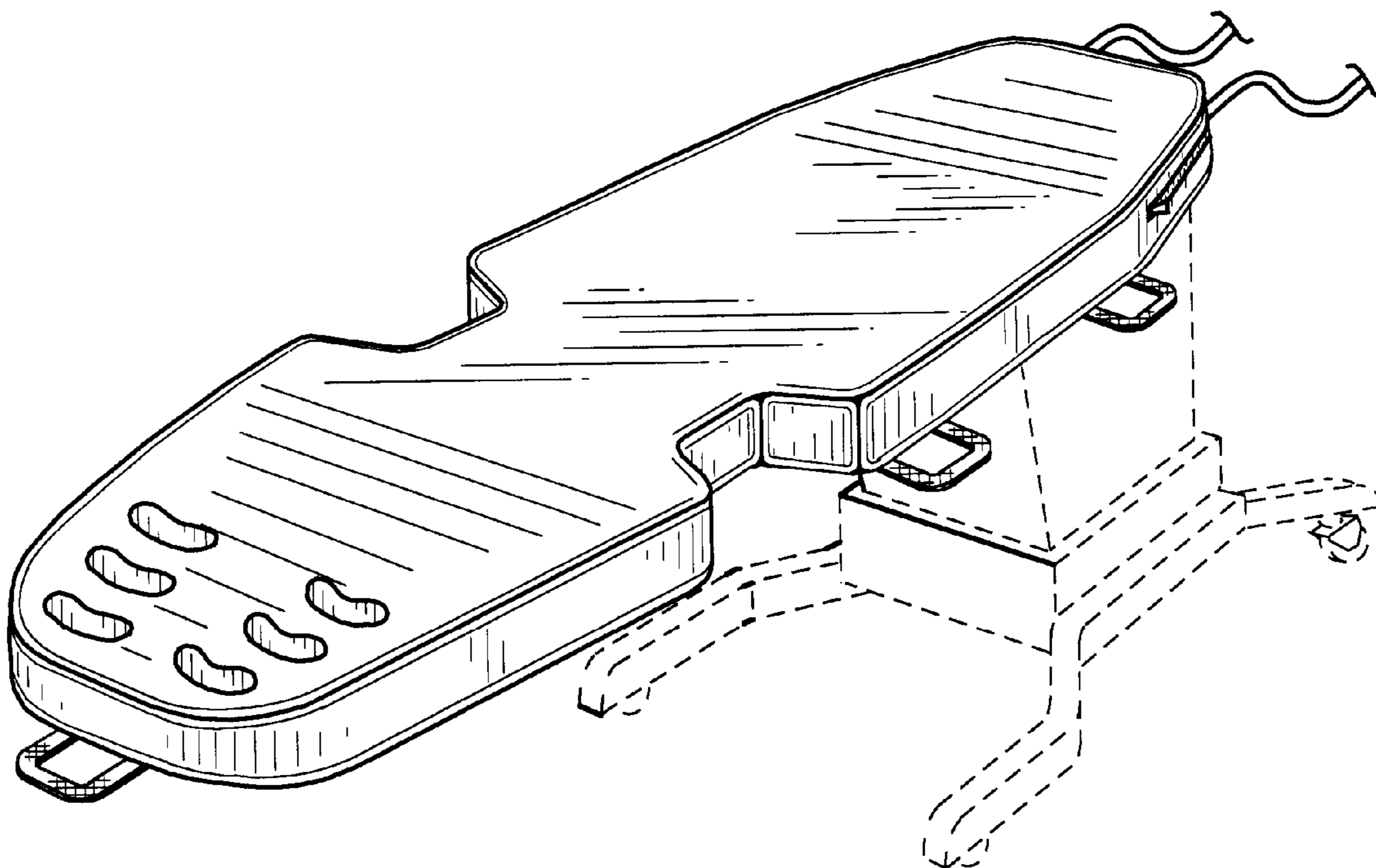
[57] CLAIM

The ornamental design for a medical imaging examination table, as shown and described.

DESCRIPTION

FIG. 1 is a perspective view of a medical imaging examination table, showing our new design; FIG. 2 is a top plan view thereof; FIG. 3 is a left side elevational view thereof; FIG. 4 is a right side elevational view thereof; FIG. 5 is a front end elevational view thereof; FIG. 6 is a rear end elevational view thereof; and, FIG. 7 is a bottom plan view thereof. The broken line showing in FIGS. 1–7 is for illustrative purposes only and forms no part of the claimed design.

1 Claim, 2 Drawing Sheets



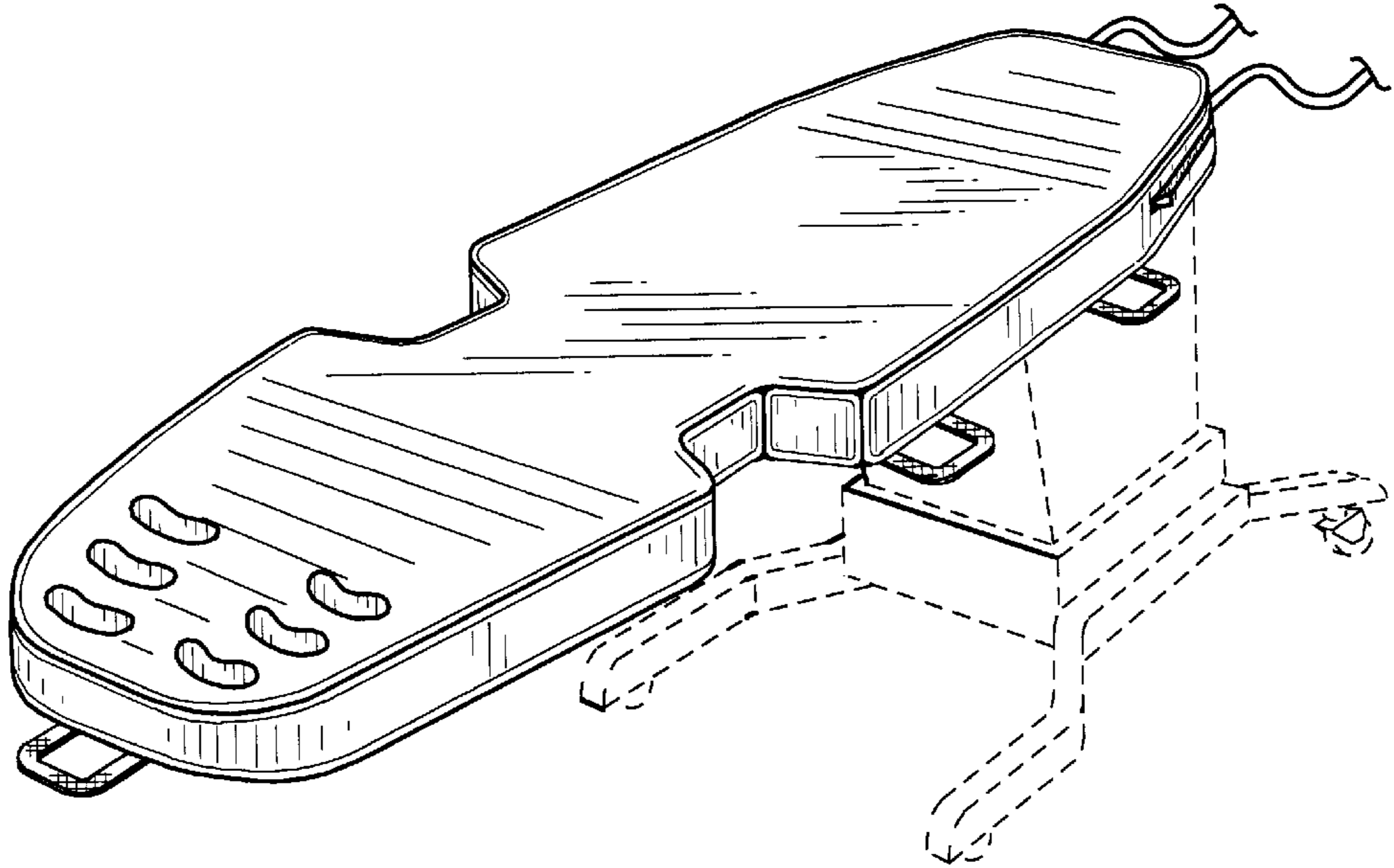


Fig. 1

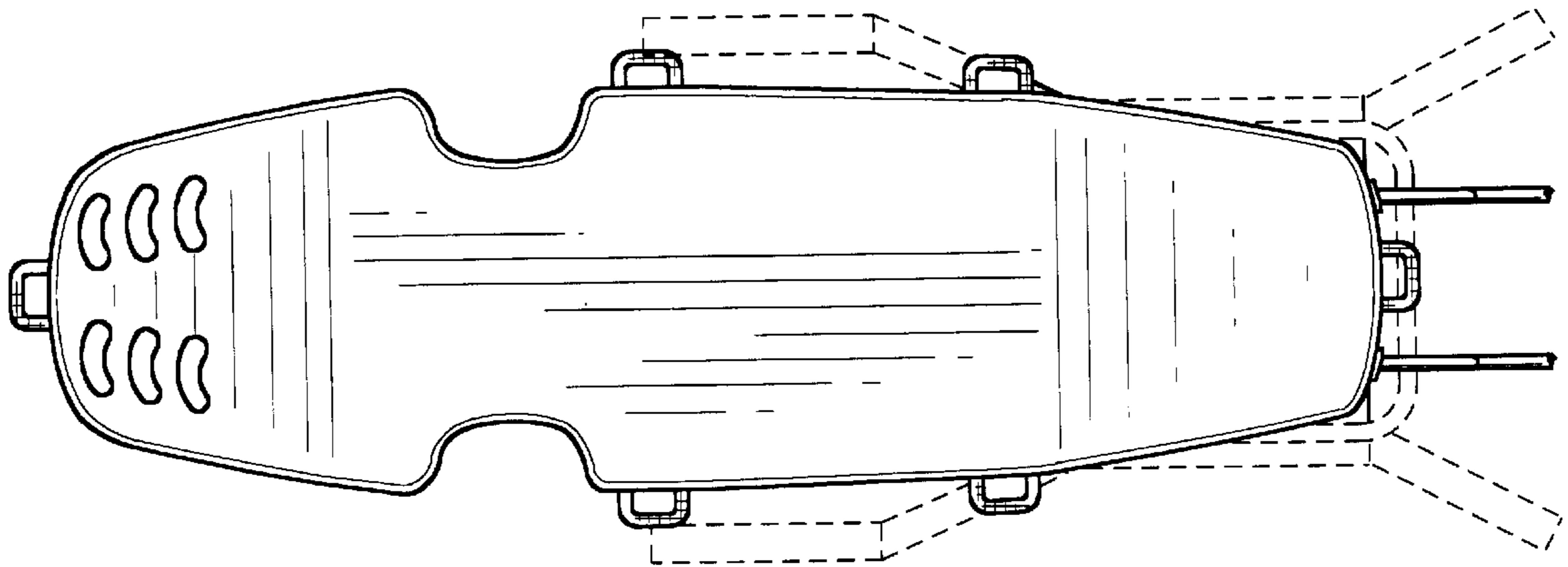


Fig. 2

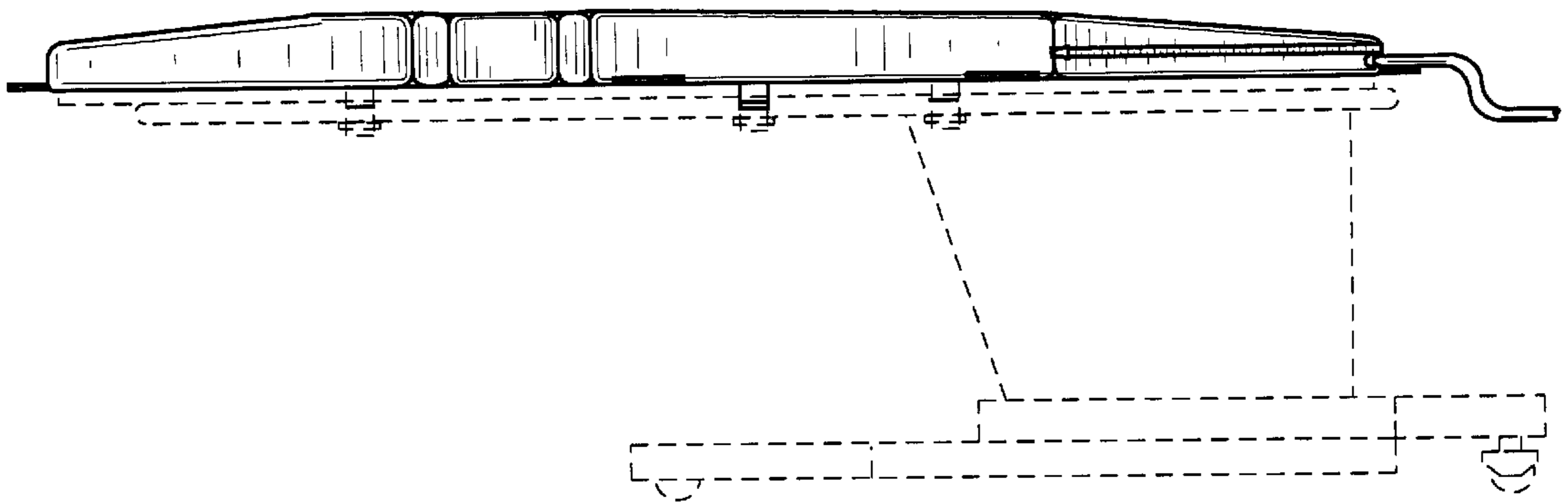


Fig. 3

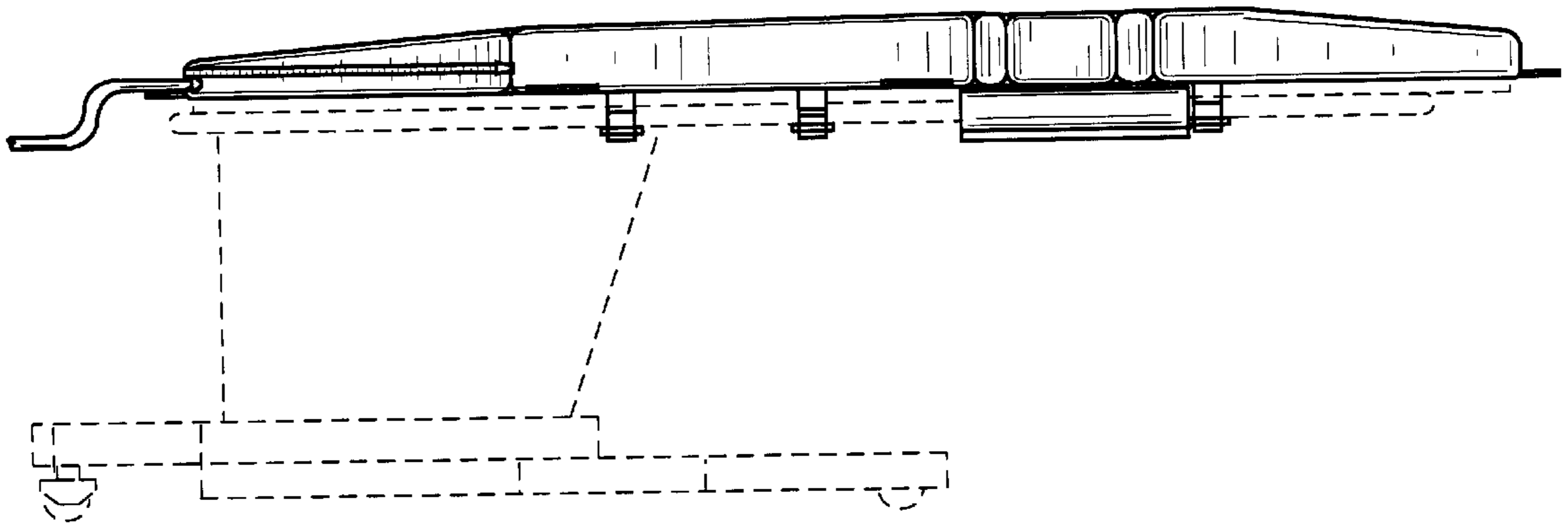


Fig. 4

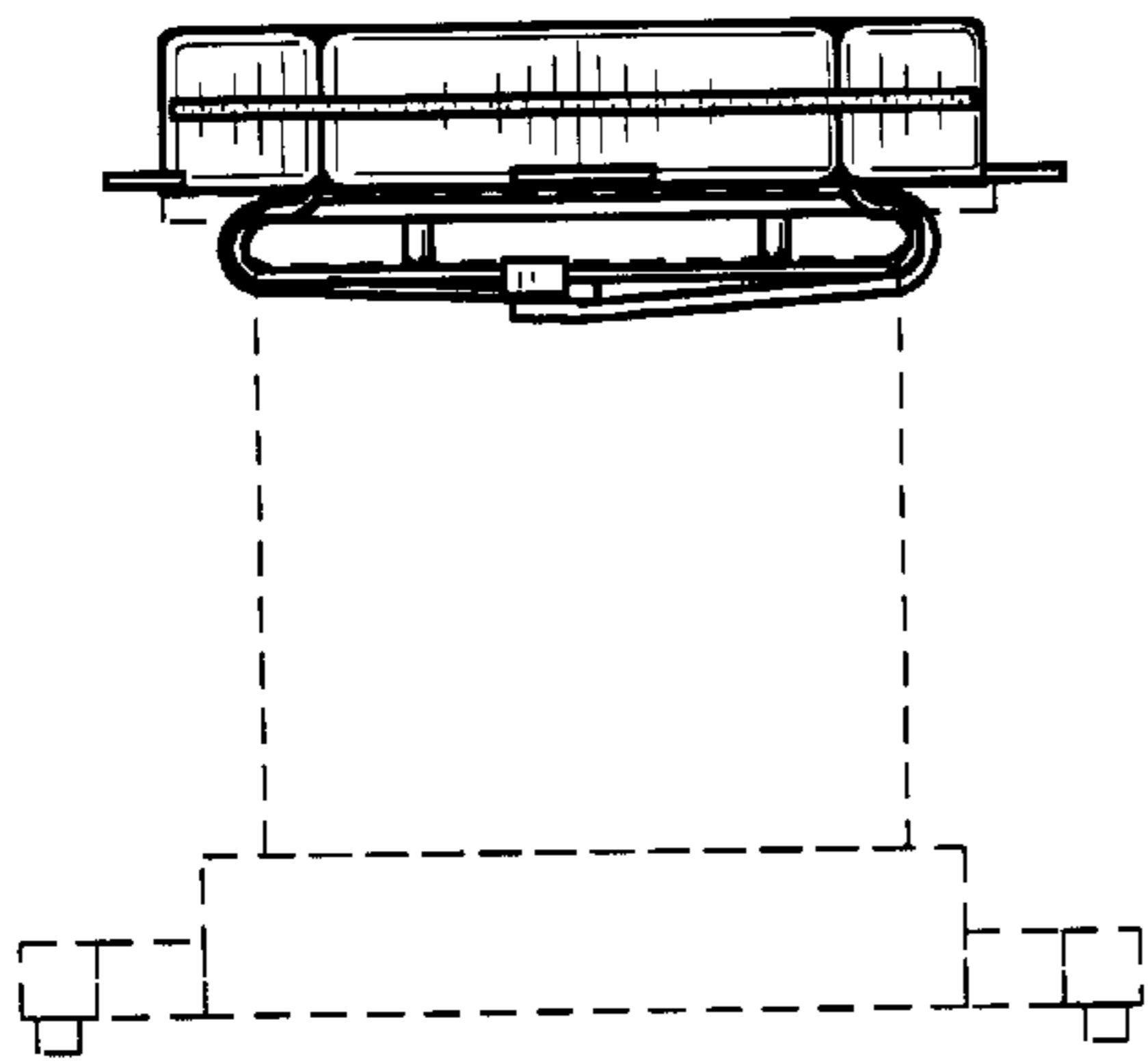


Fig. 5

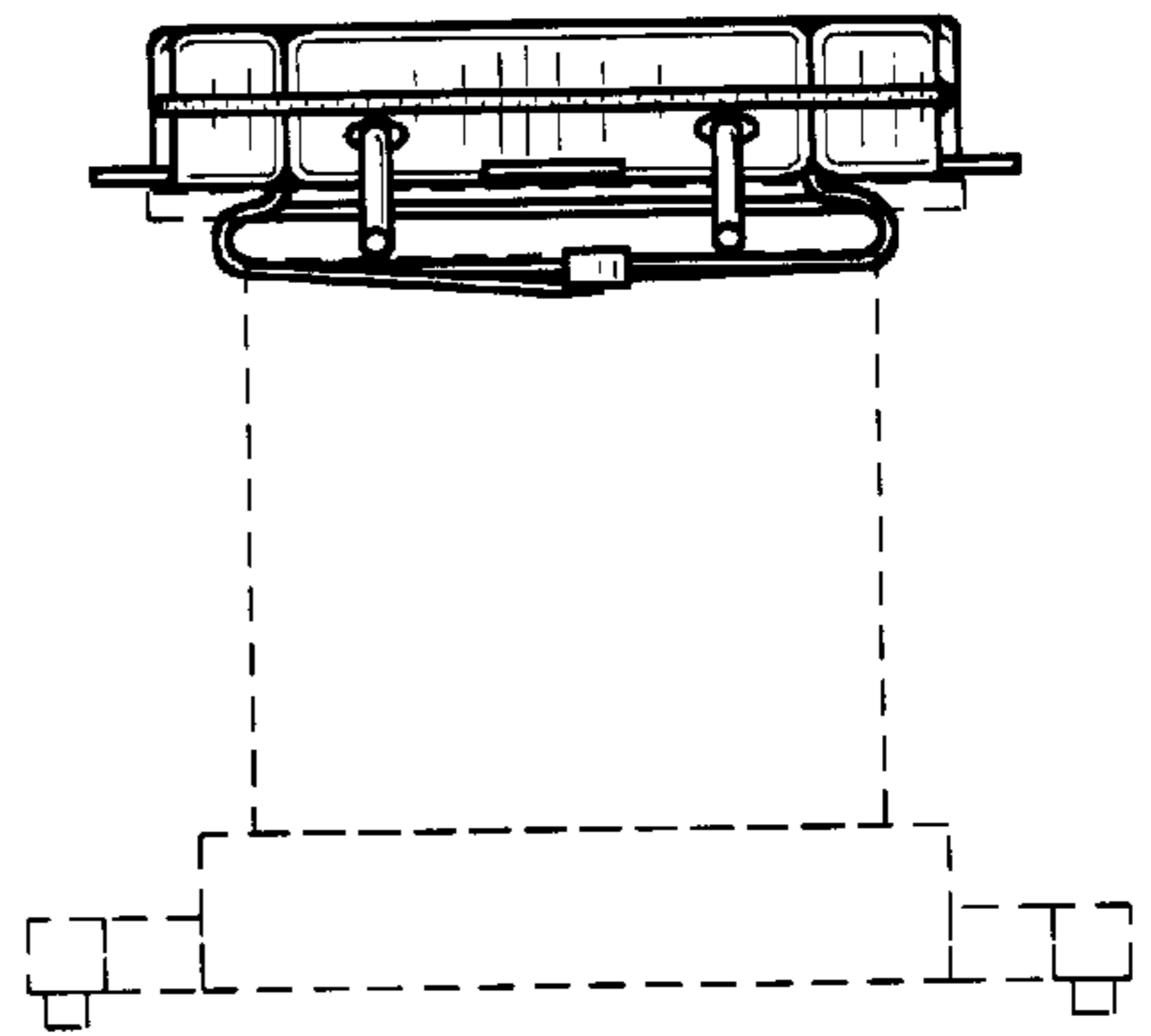


Fig. 6

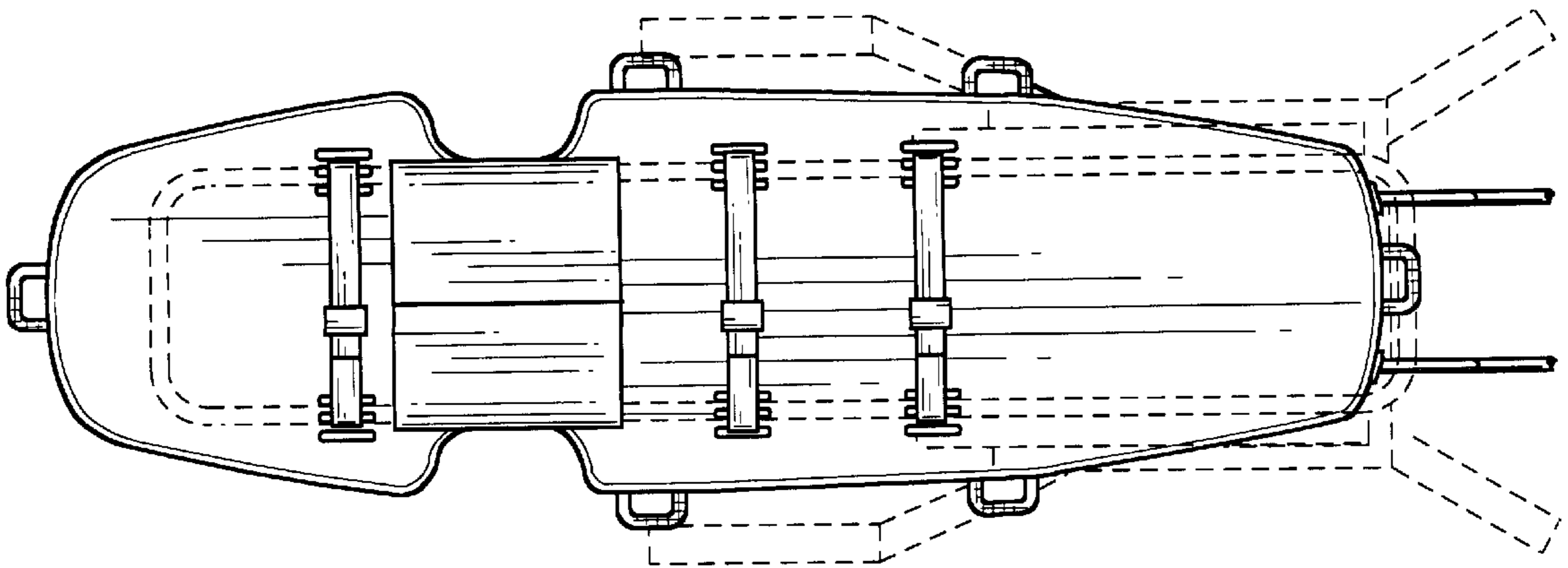


Fig. 7