



US00D410082S

# United States Patent [19] Furnish

[11] Patent Number: Des. 410,082

[45] Date of Patent: \*\* May 18, 1999

[54] **RIB RETRACTOR**

[75] Inventor: **Gregory R. Furnish**, Lawrenceville, Ga.

[73] Assignee: **Genzyme Corporation**, Framingham, Mass.

[\*\*] Term: **14 Years**

[21] Appl. No.: **29/069,728**

[22] Filed: **Apr. 21, 1997**

### Related U.S. Application Data

[63] Continuation-in-part of application No. 29/060,262, Sep. 25, 1996.

[51] **LOC (6) Cl.** ..... **24-02**

[52] **U.S. Cl.** ..... **D24/135**

[58] **Field of Search** ..... D24/135-133;  
600/201, 219, 222, 232; 128/17, 18, 20

### [56] References Cited

#### U.S. PATENT DOCUMENTS

D. 361,381	8/1995	Koros et al. ....	D24/371
D. 380,548	7/1997	Koros et al. ....	D24/135
3,710,783	1/1973	Jascalevich ....	600/201
4,156,424	5/1979	Burgin ....	128/18
4,627,421	12/1986	Symbas et al. ....	128/20
4,726,356	2/1988	Santilli et al. ....	128/20
4,747,394	5/1988	Watanabe ....	128/20
4,829,985	5/1989	Couetil ....	128/20
4,852,552	8/1989	Chaux ....	128/20

4,989,587	2/1991	Farley .....	128/20
5,052,373	10/1991	Michelson .....	128/20
5,067,477	11/1991	Santangelo .....	128/20
5,167,223	12/1992	Koros et al. ....	128/20
5,365,921	11/1994	Bookwalter et al. ....	128/20
5,616,117	4/1997	Dinkler et al. ....	600/232

### OTHER PUBLICATIONS

Promotional Literature (catalog) Aesculap Instruments Corp., (Feb., 1993).

Promotional Literature, T. Koros Surgical Instruments Corp., (1994, month unknown).

Promotional Literature, Miltex (date unknown, estimated 1995).

Promotional Literature, Pilling Surgical Instruments, A Rusch Inter. Co., (1993, month unknown).

*Primary Examiner*—Pamela Burgess

*Attorney, Agent, or Firm*—Needle & Rosenberg, P.C.

### [57] CLAIM

The ornamental design for a rib retractor, as shown and described.

### DESCRIPTION

FIG. 1 is a perspective view of my rib retractor.

FIG. 2 is a front end view thereof.

FIG. 3 is a rear end view thereof.

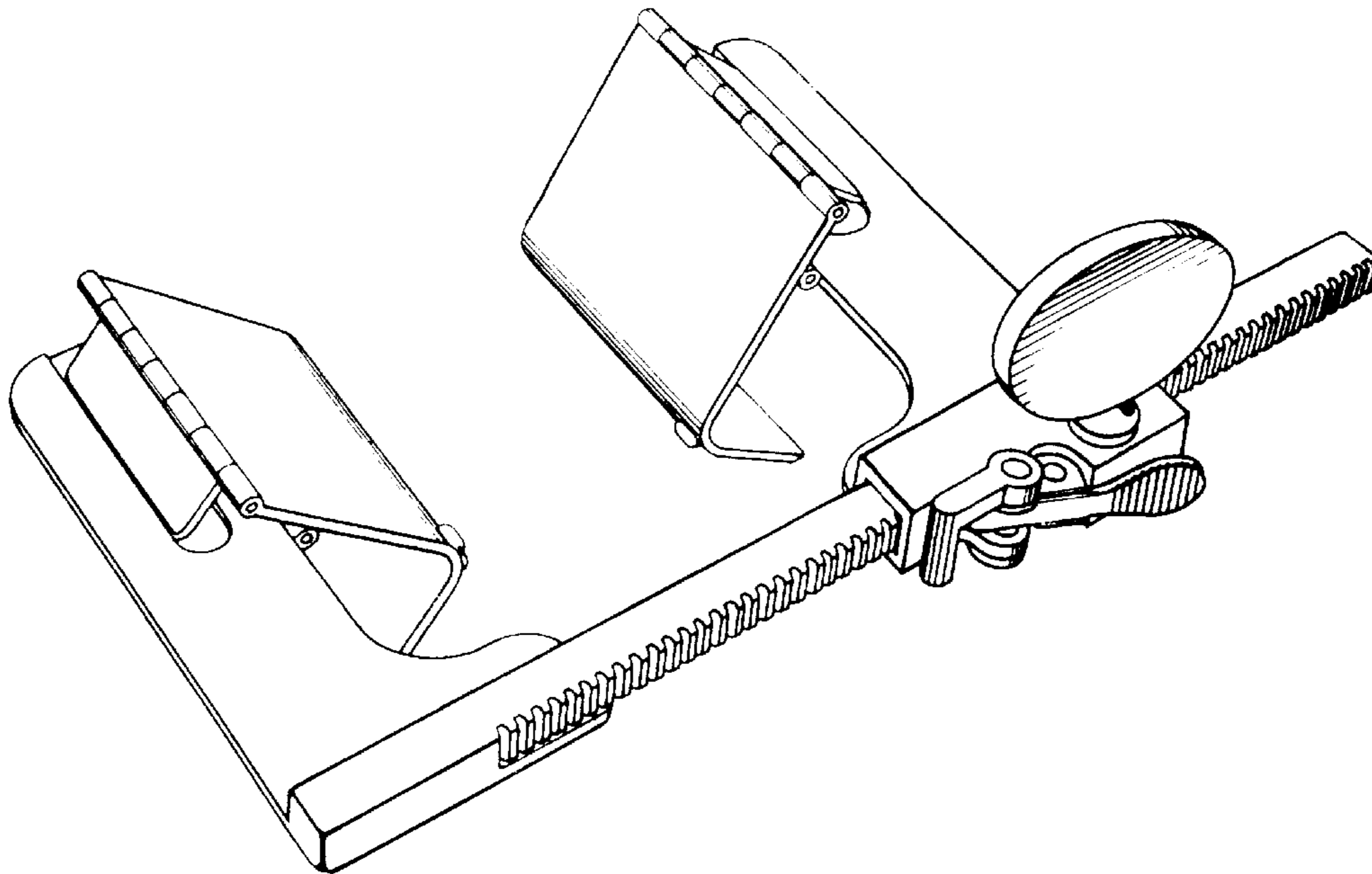
FIG. 4 is a left side view thereof.

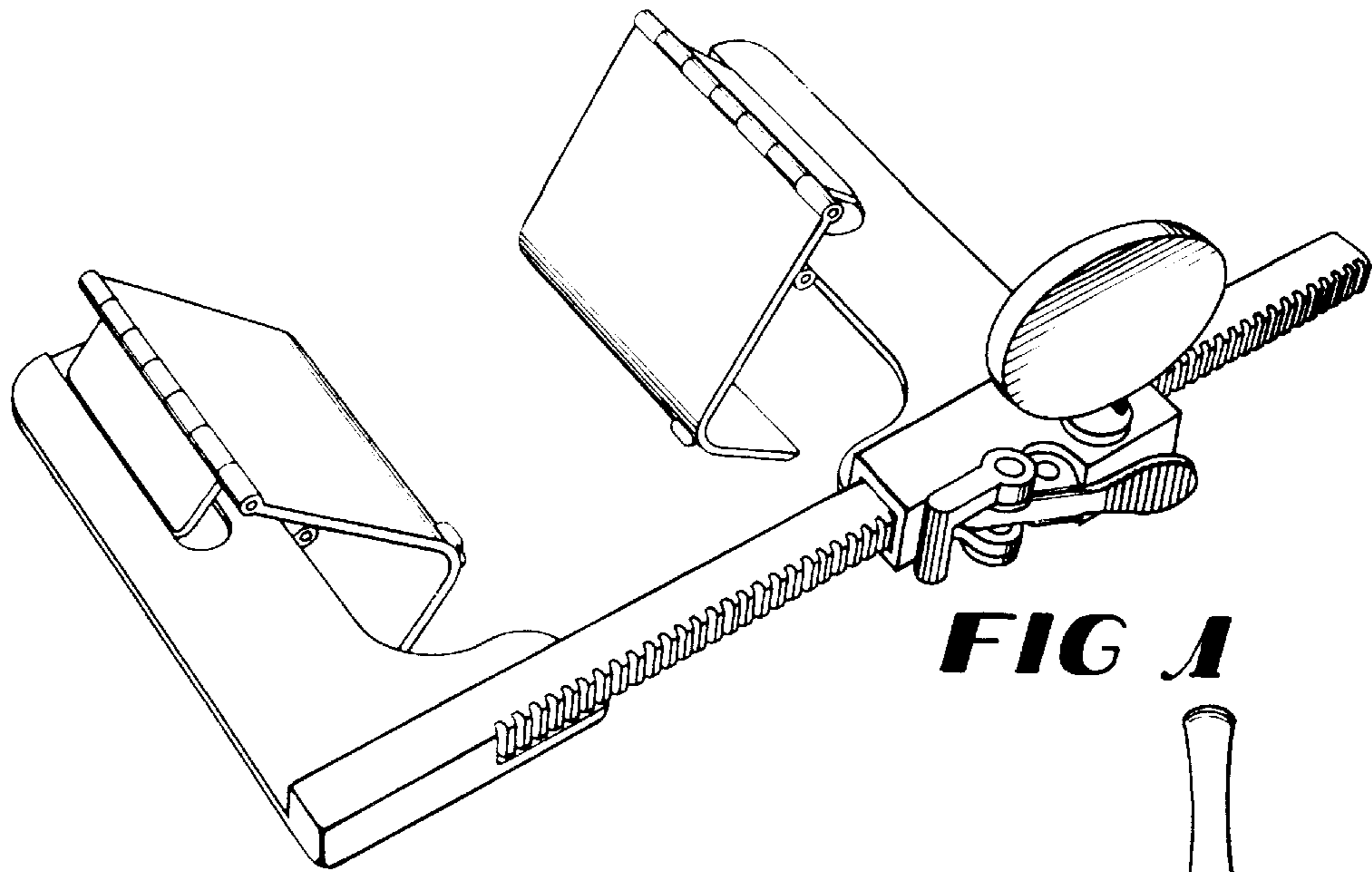
FIG. 5 is a top plan view thereof.

FIG. 6 is a right side view thereof; and,

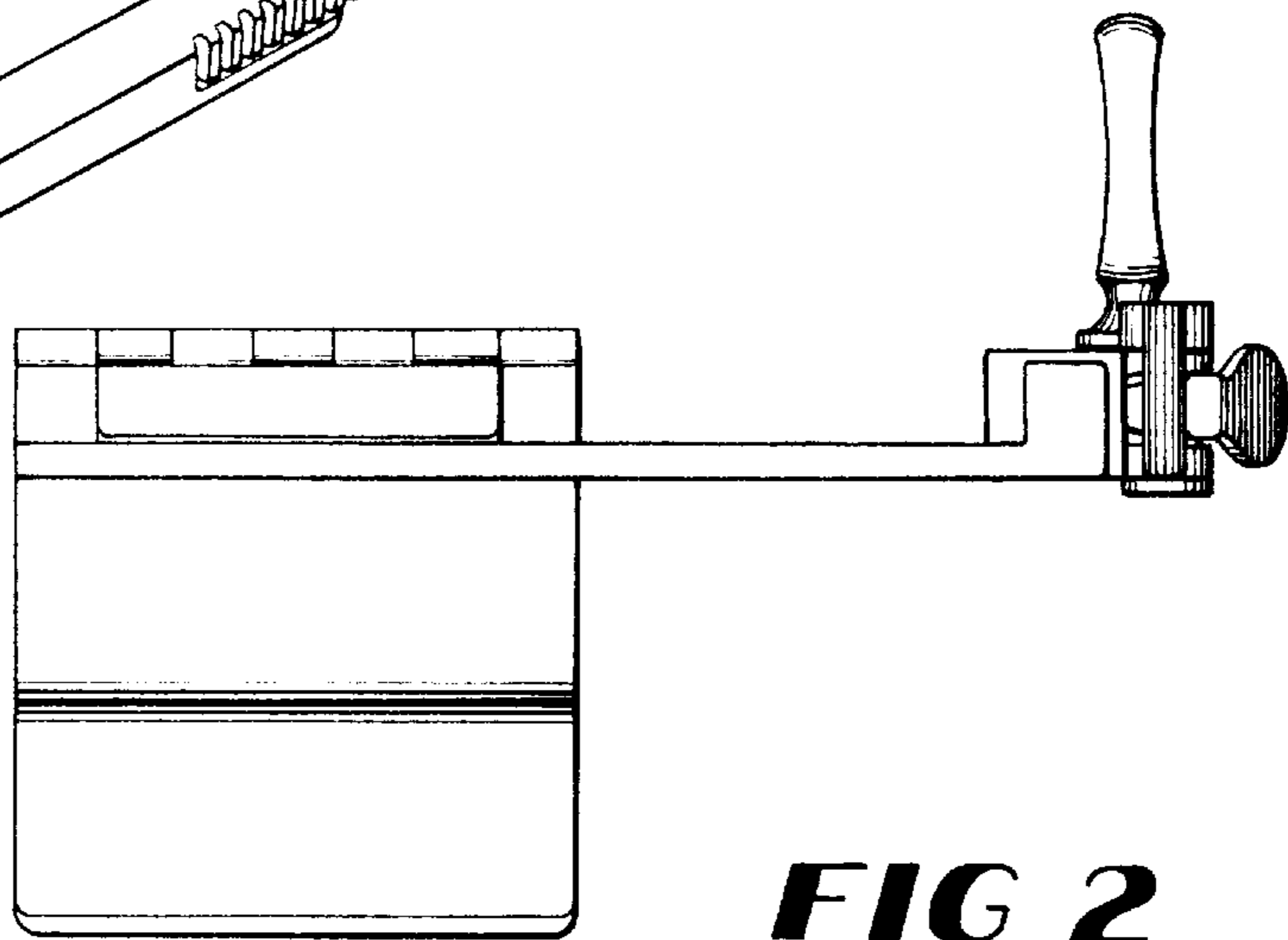
FIG. 7 is a bottom plan view thereof.

**1 Claim, 3 Drawing Sheets**

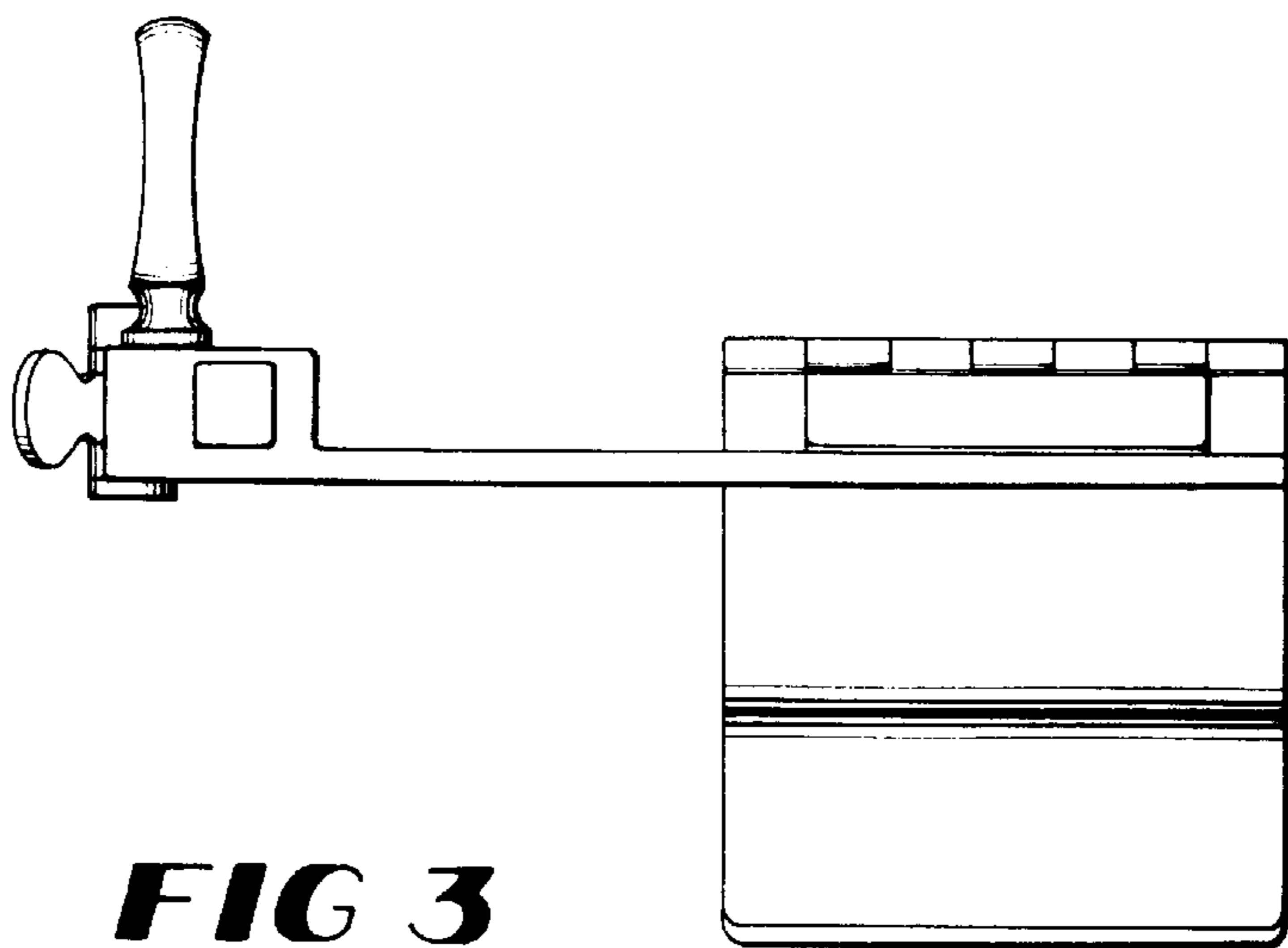




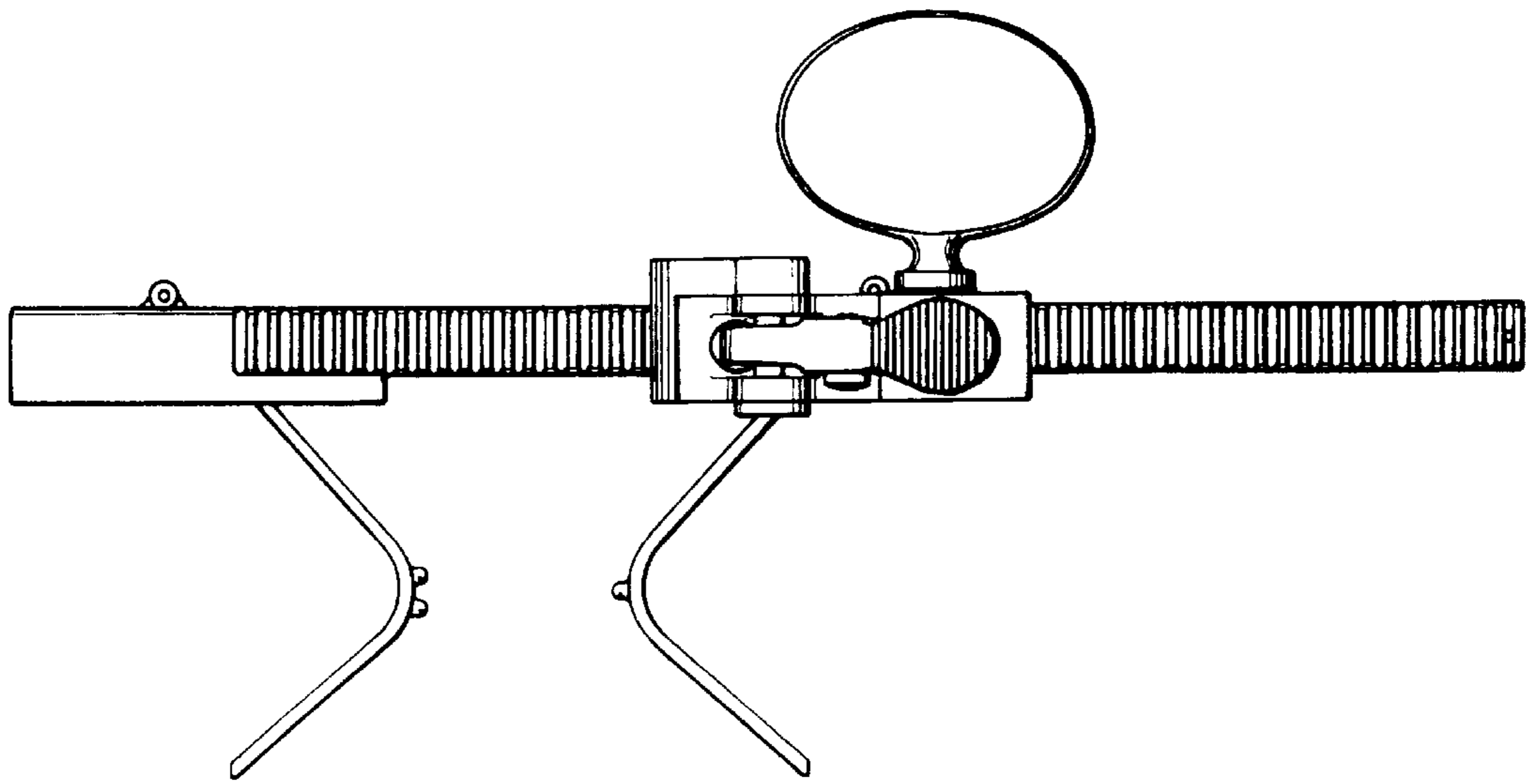
**FIG 1**



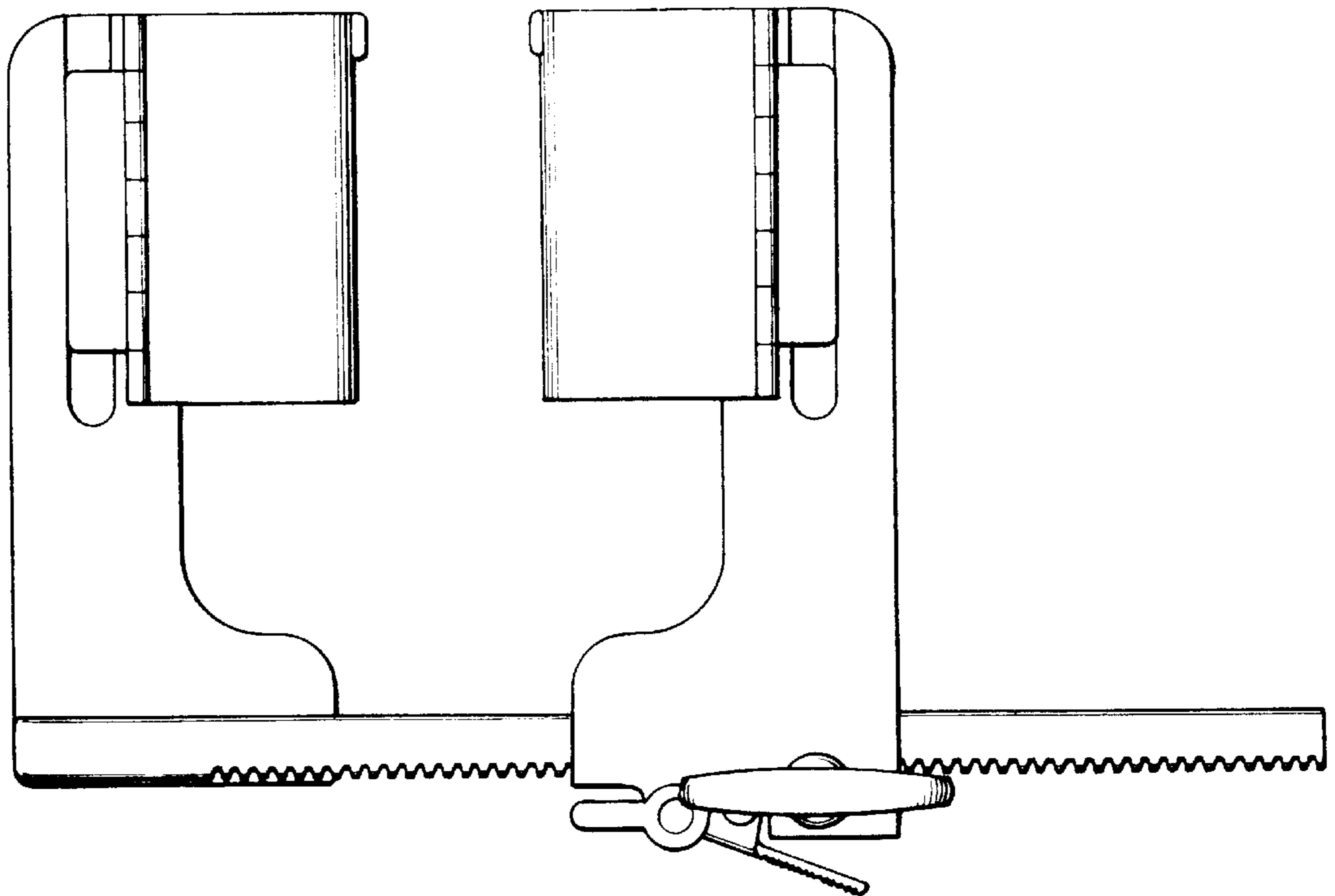
**FIG 2**



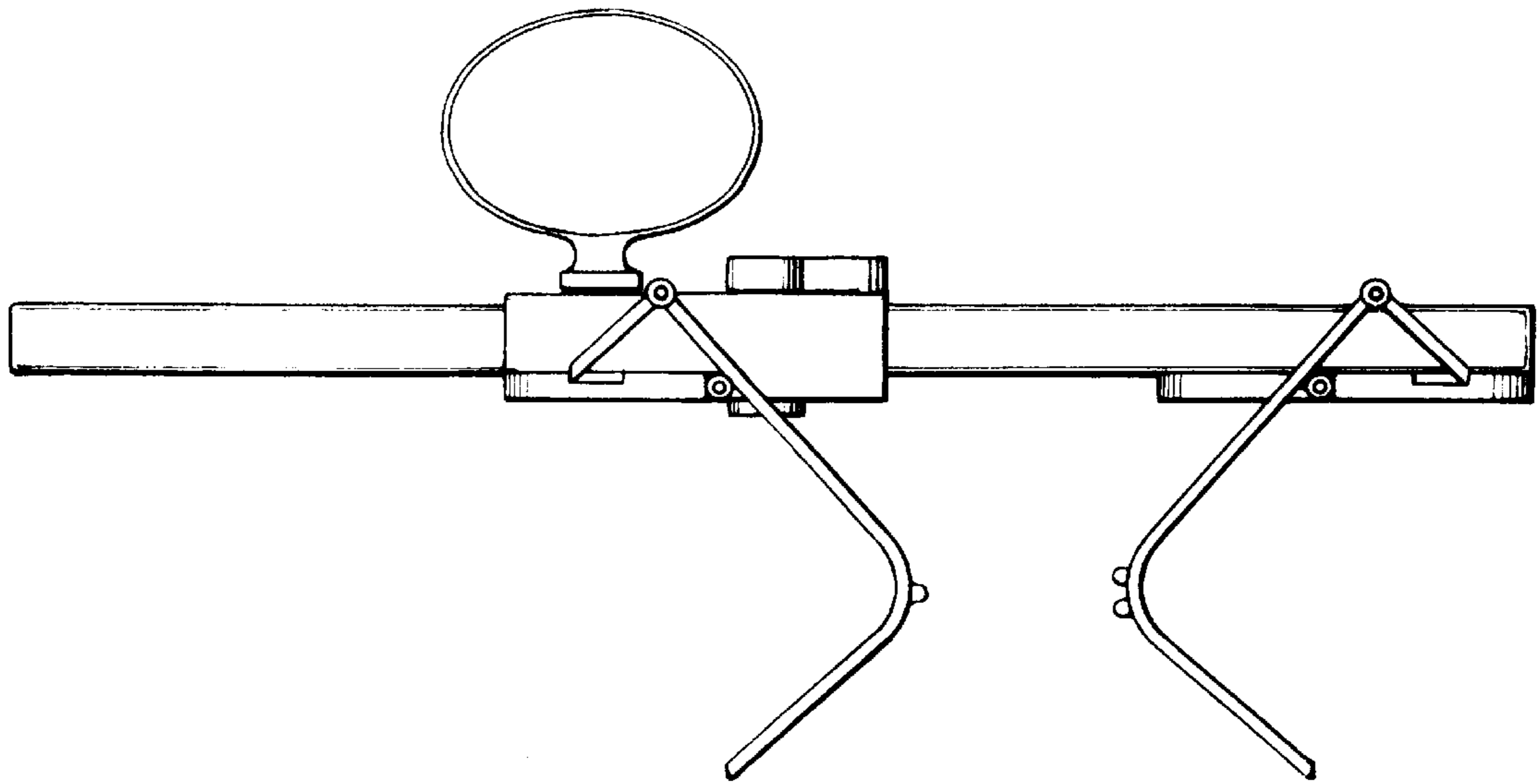
**FIG 3**



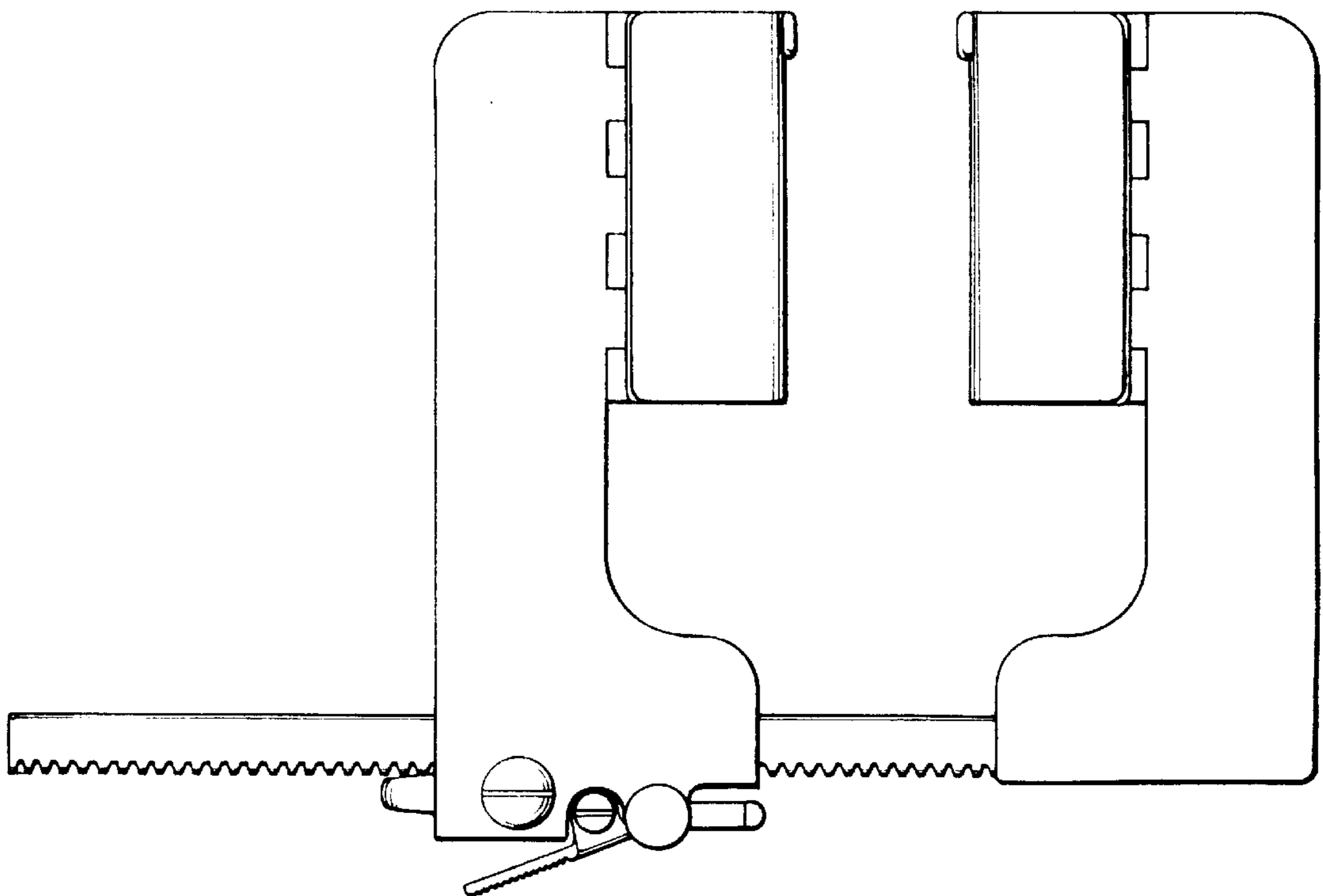
**FIG 4**



**FIG 5**



**FIG 6**



**FIG 7**