



US00D410078S

United States Patent [19]

Doubet et al.

[11] Patent Number: **Des. 410,078**

[45] Date of Patent: **** May 18, 1999**

[54] MINI FAN NOZZLE

[75] Inventors: **Vincent R. Doubet**, Farmington;
George William Gassman, Dunlap,
both of Ill.

[73] Assignee: **L. R. Nelson**, Peoria, Ill.

[**] Term: **14 Years**

[21] Appl. No.: **29/092,290**

[22] Filed: **Aug. 14, 1998**

[51] **LOC (6) Cl.** **23-04**

[52] **U.S. Cl.** **D23/411**

[58] **Field of Search** D23/411, 370;
416/63, 247 R, 146 R; 415/211.2, 208.1,
212.1

[57] **CLAIM**

The ornamental design for a mini fan nozzle, as shown and described.

DESCRIPTION

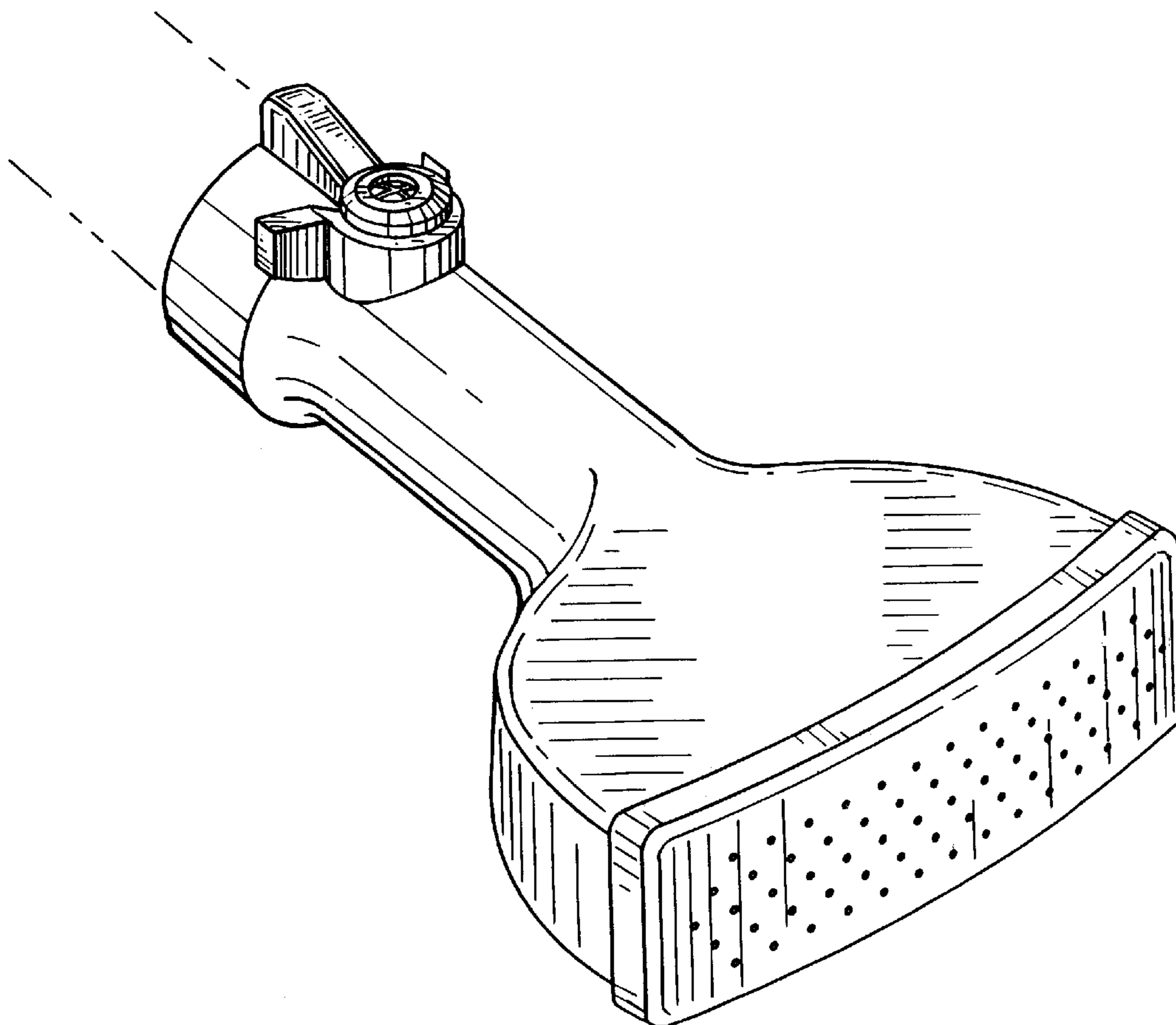
FIG. 1 is a perspective view thereof;
FIG. 2 is a top plan view thereof;
FIG. 3 is a front elevational view showing our new design;
FIG. 4 is a left side elevational view thereof; and,
FIG. 5 is a rear elevational view thereof.

The right side and the bottom plan views are omitted as they are symmetrical to the left side and top plan views respectively.

The broken-line showing of environmental structure in FIG. 1 is for illustrative purposes only and forms no part of the claimed design.

Primary Examiner—Lisa Lichtenstein
Attorney, Agent, or Firm—Mayer, Brown & Platt

1 Claim, 2 Drawing Sheets



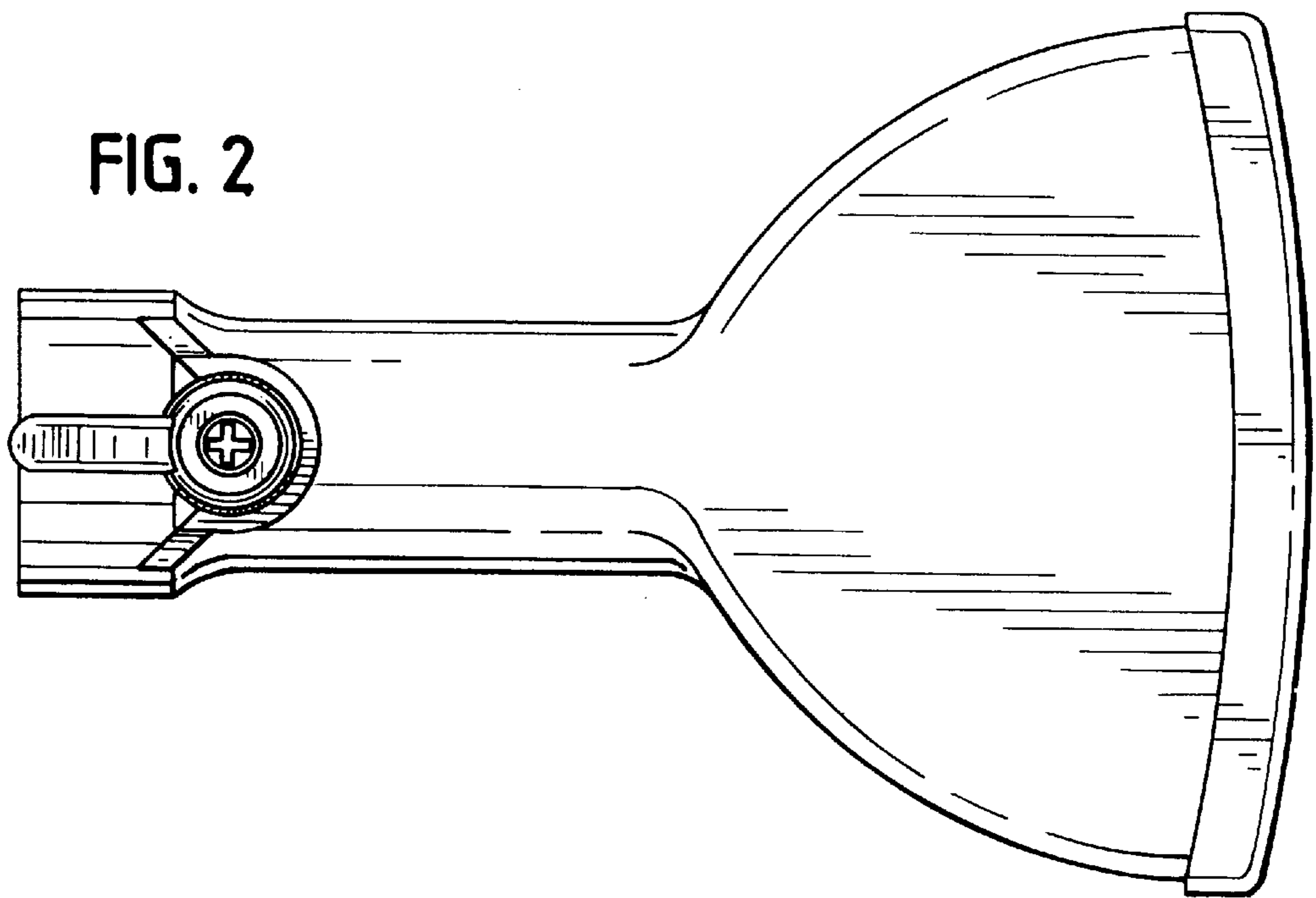
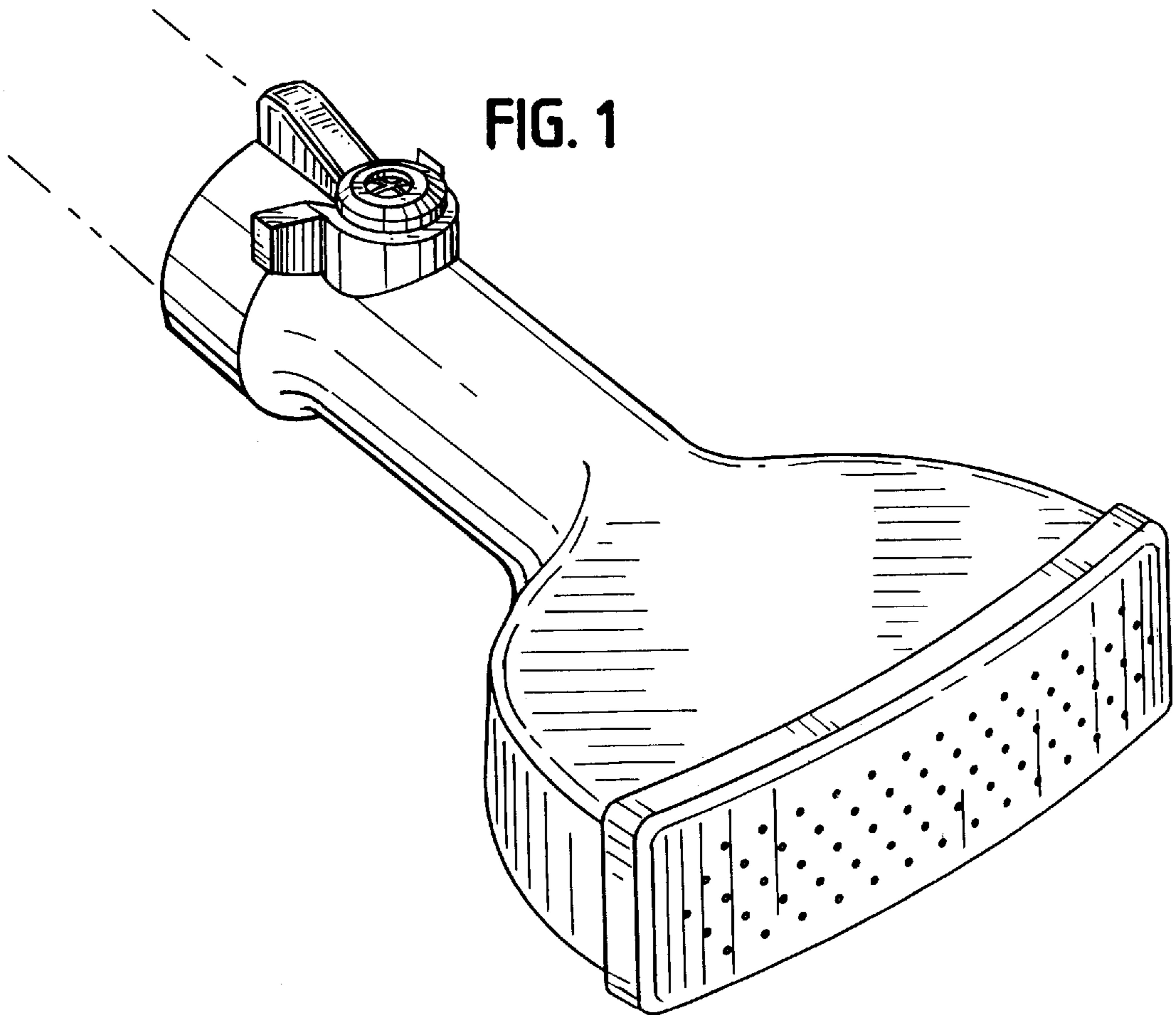


FIG. 3

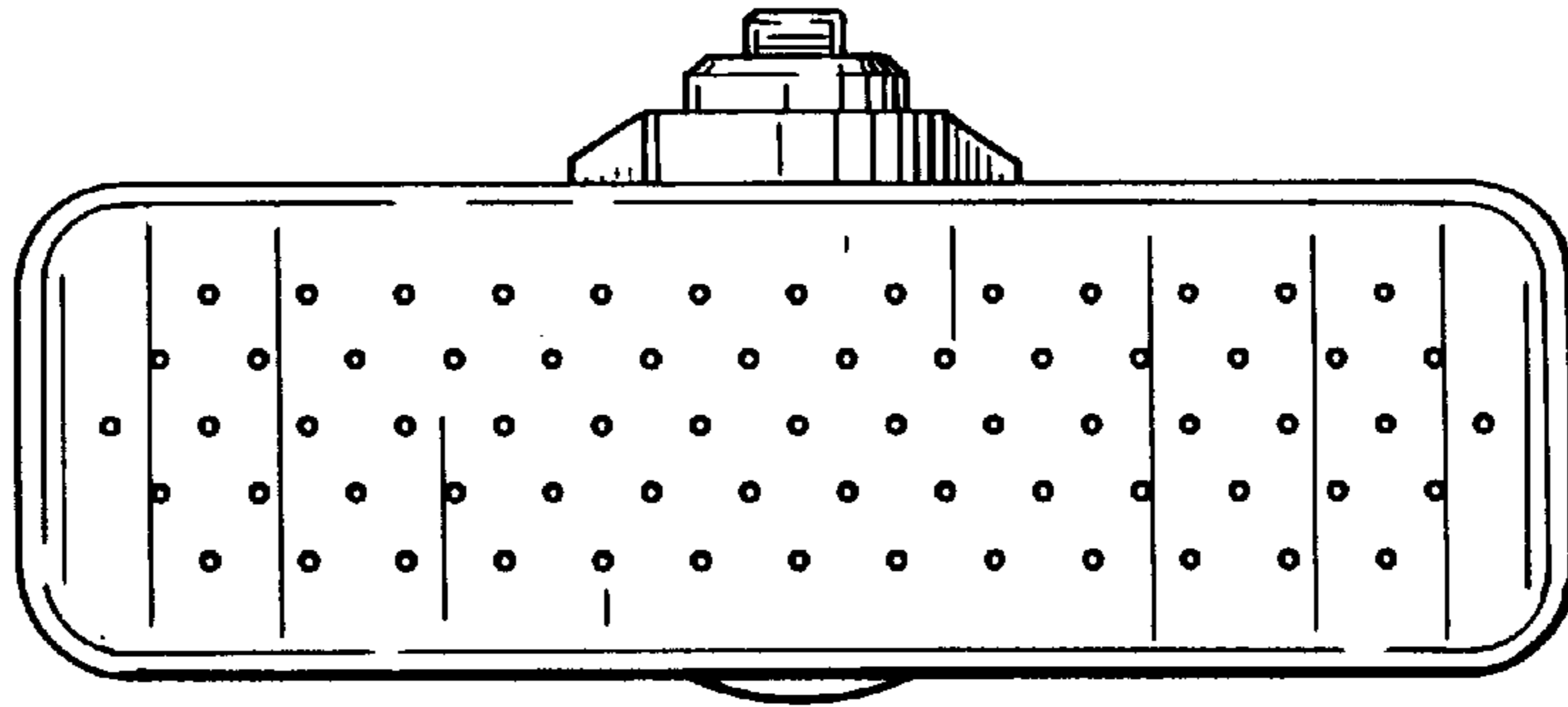


FIG. 4

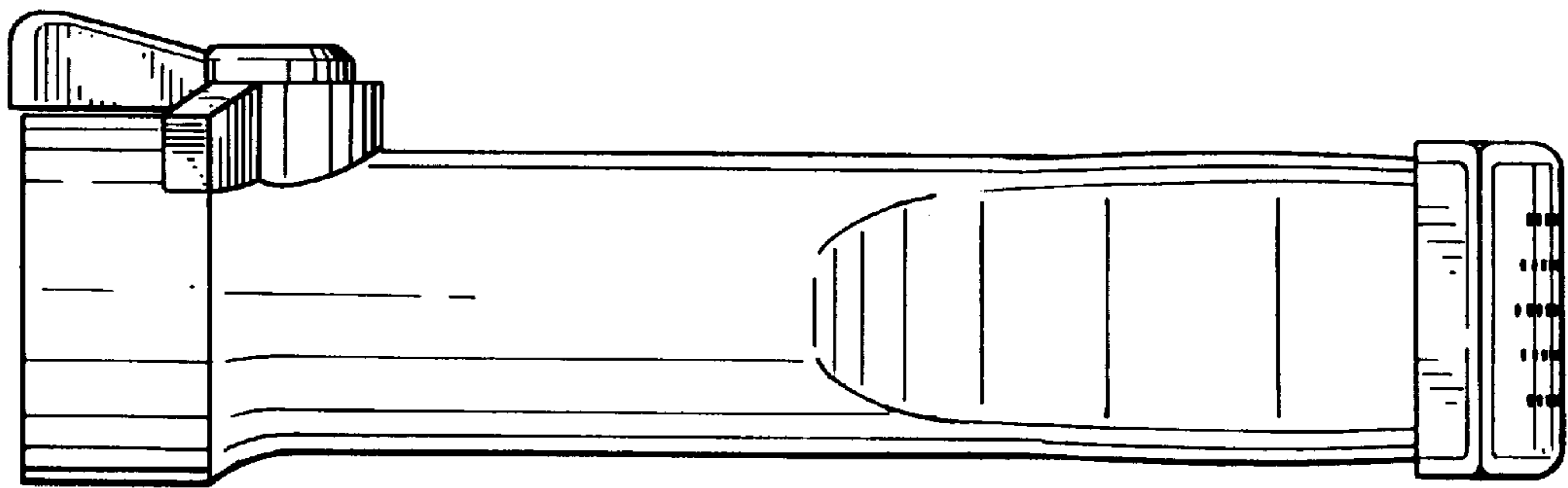


FIG. 5

