



US00D410074S

# United States Patent [19]

Lee

[11] Patent Number: **Des. 410,074**

[45] Date of Patent: **\*\* May 18, 1999**

[54] **PORTABLE CERAMIC HEATER**

[76] Inventor: **Eliza Lee**, c/o Del-Rain Corporation,  
4808 Wilton Ave., Niagara Falls, N.Y.  
14304

[\*\*] Term: **14 Years**

[21] Appl. No.: **29/091,092**

[22] Filed: **Jul. 22, 1998**

[51] **LOC (6) Cl.** ..... **23-03**

[52] **U.S. Cl.** ..... **D23/332; D23/335; D23/336;**  
**D23/337**

[58] **Field of Search** ..... **D23/335, 336,**  
**D23/337, 332, 329; 392/373-376, 365**

[56] **References Cited**

**U.S. PATENT DOCUMENTS**

- D. 340,971 11/1993 Pirro ..... D23/335
- D. 343,231 1/1994 Lim ..... D23/336
- D. 374,712 10/1996 Jané et al. .... D23/337

*Primary Examiner*—Lisa Lichtenstein  
*Attorney, Agent, or Firm*—R. Joseph Trojan; Shelly S. Maurer; Trojan Law Offices

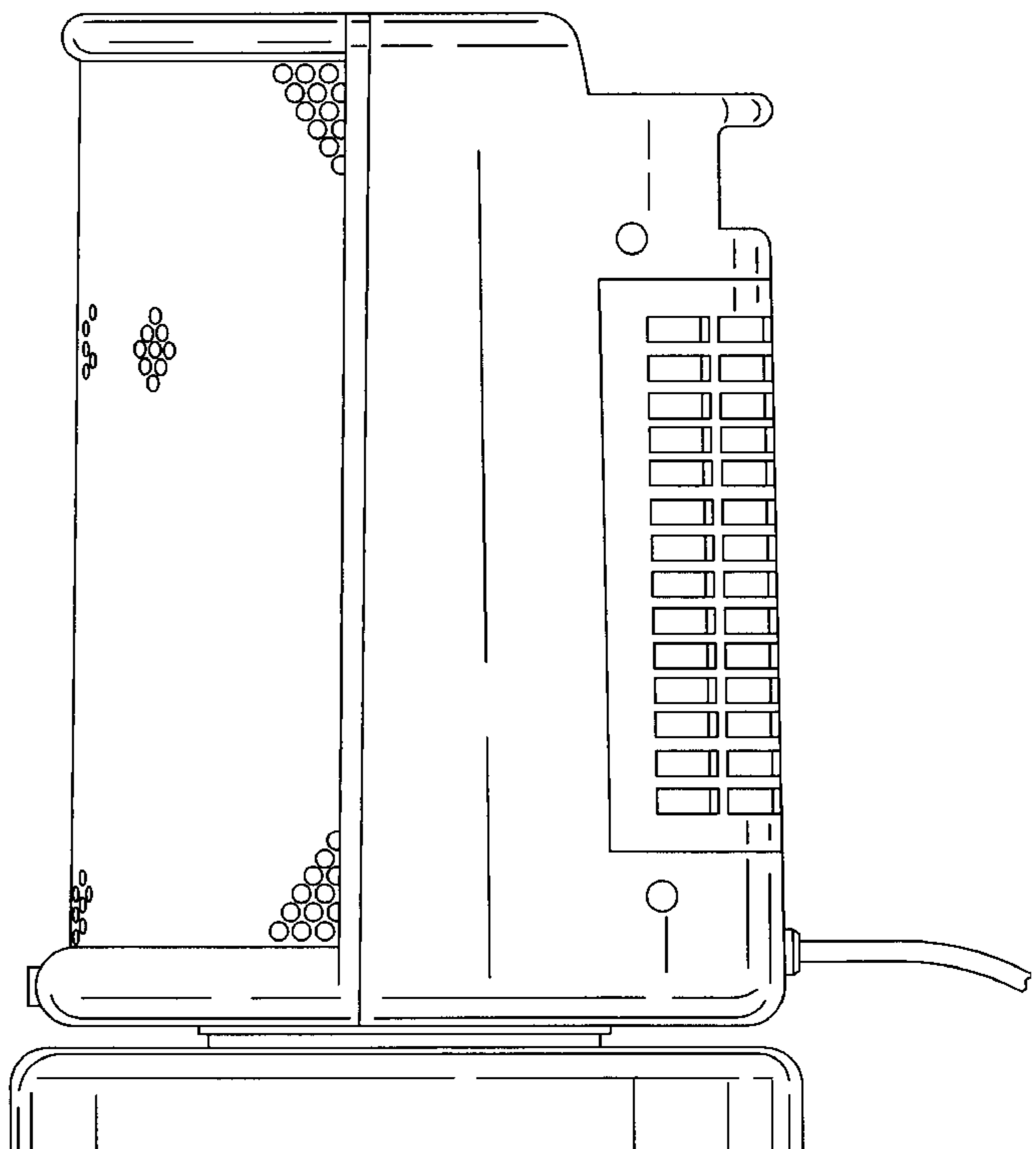
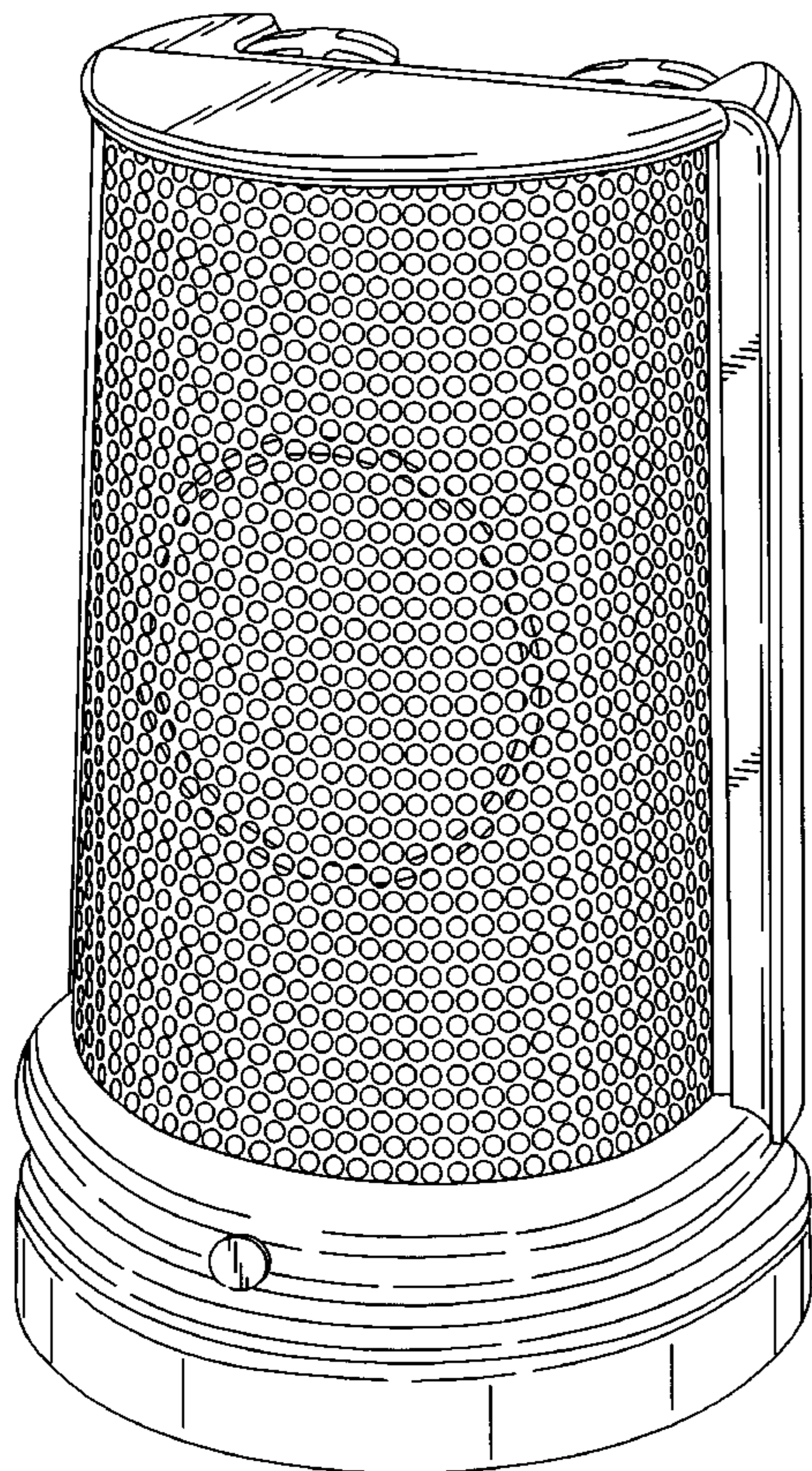
[57] **CLAIM**

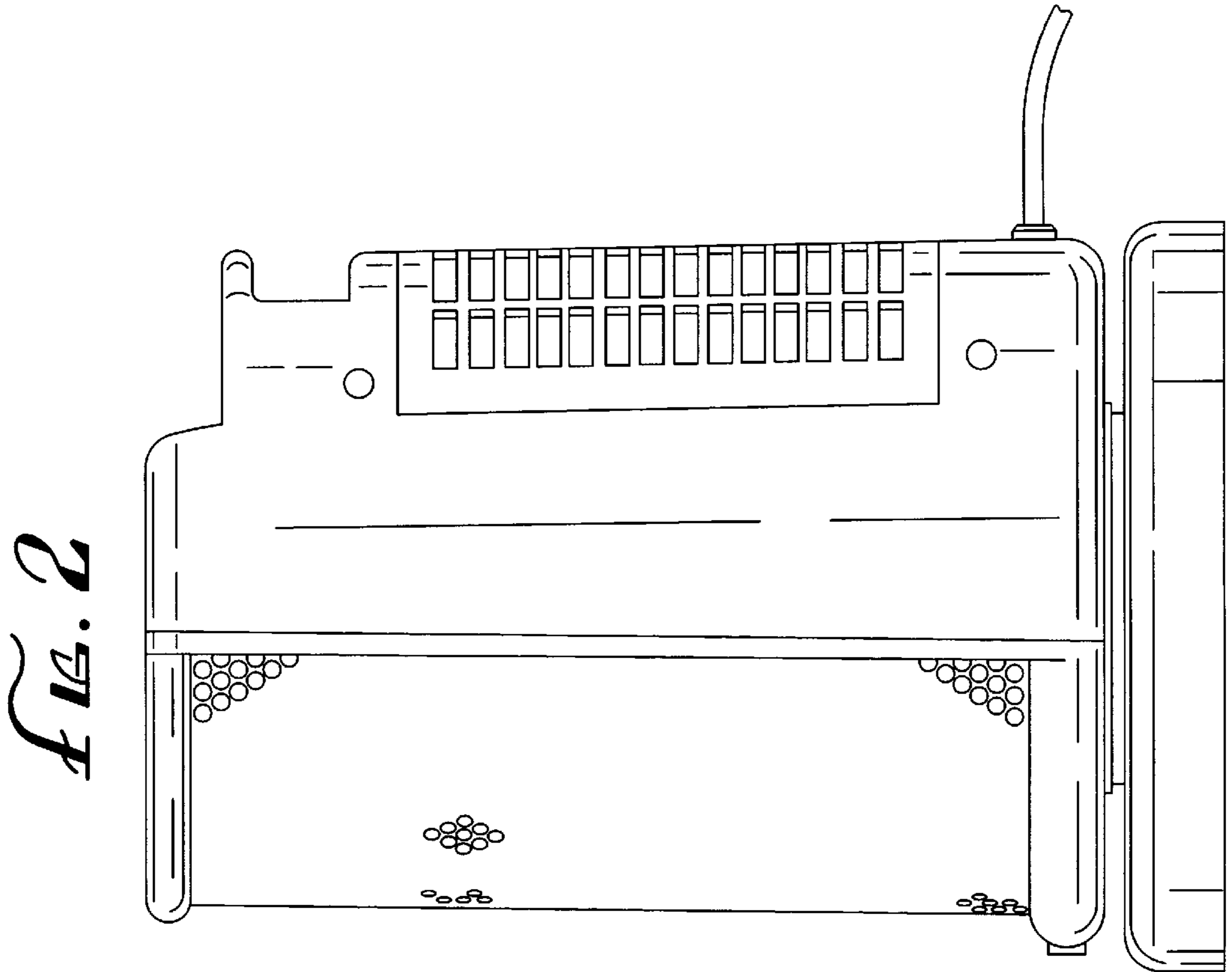
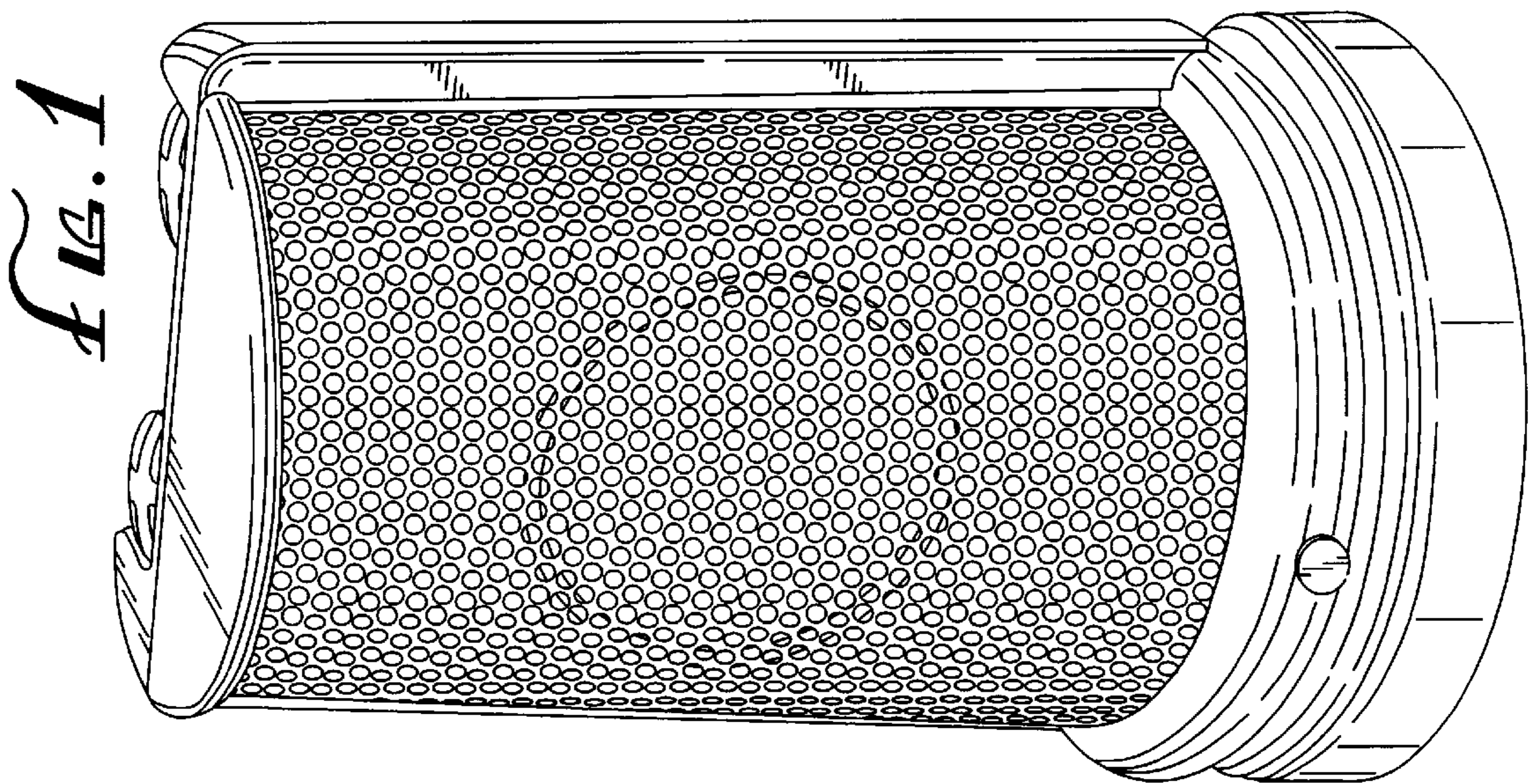
The ornamental design for a portable ceramic heater, as shown and described.

**DESCRIPTION**

FIG. 1 is a front perspective view for the portable ceramic heater, showing the new design;  
FIG. 2 is a right side elevational view thereof, the opposite side being a mirror image of that shown;  
FIG. 3 is a top plan view thereof;  
FIG. 4 is a back side elevational view thereof; and,  
FIG. 5 is a front perspective view of the portable ceramic heater, with the front grill removed for clarity of illustration. The dot pattern fragmentarily shown in FIG. 2 is understood to extend uniformly throughout the area represented. The bottom of the design is flat and unornamented.

**1 Claim, 3 Drawing Sheets**







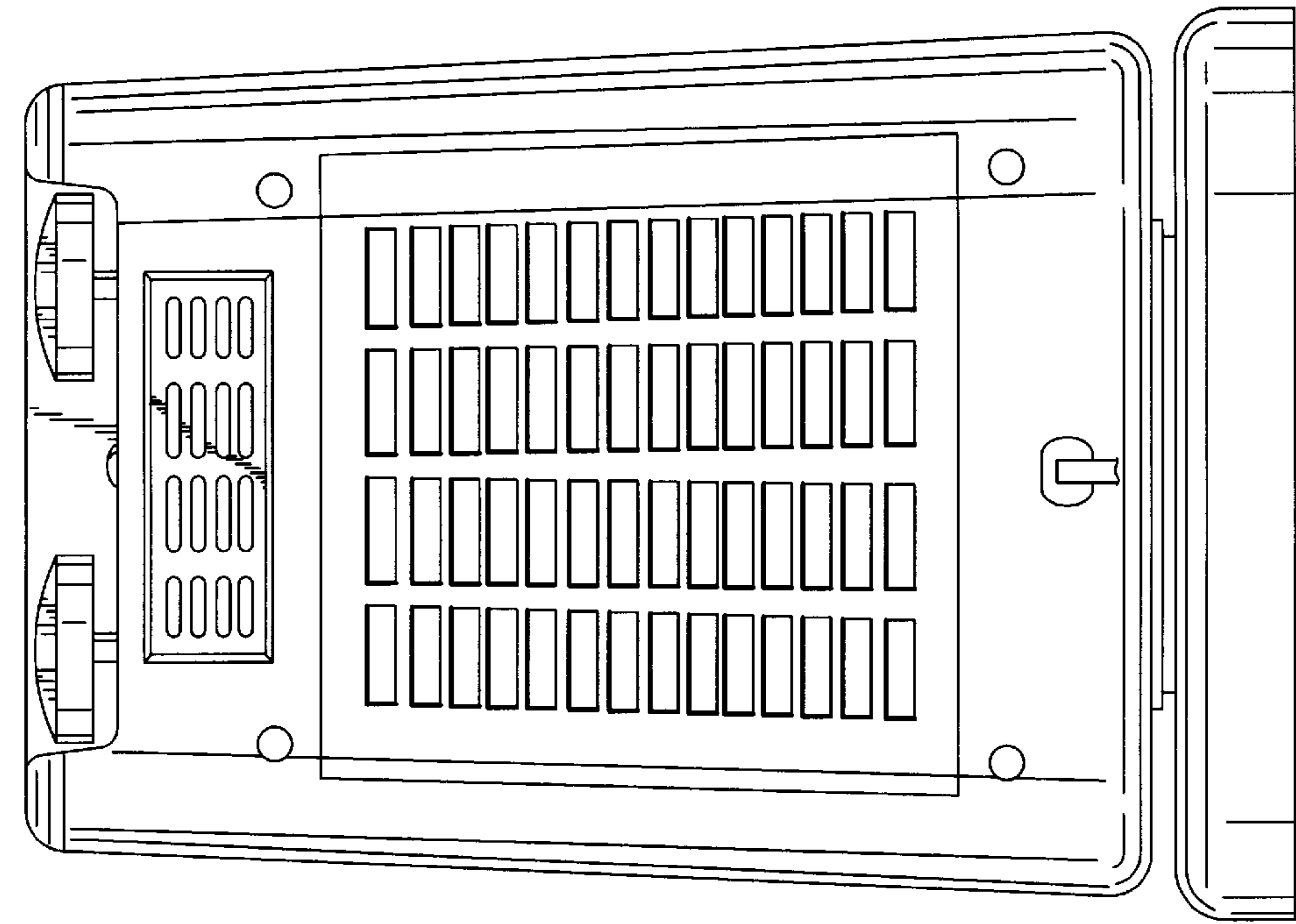


FIG. 4

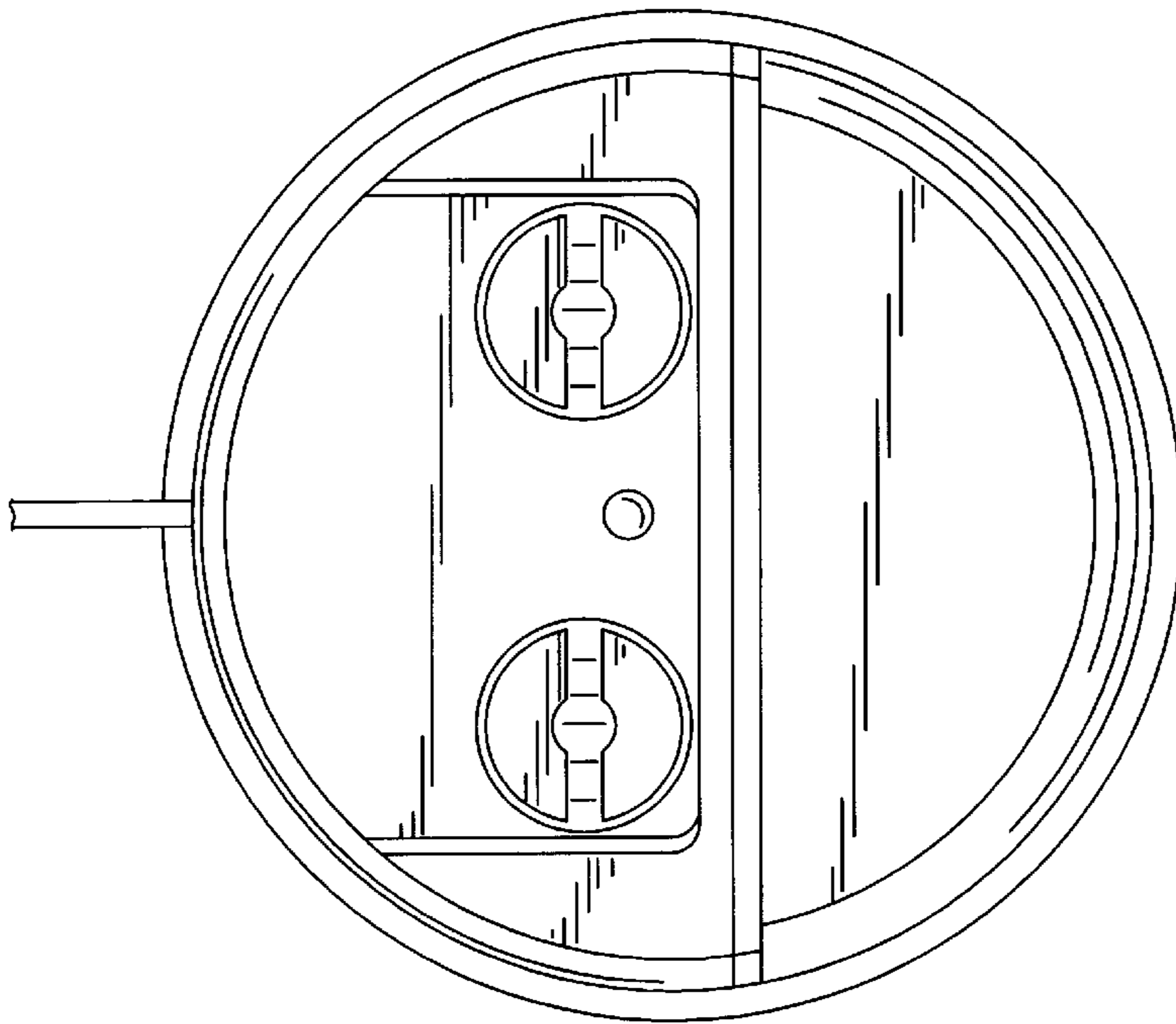
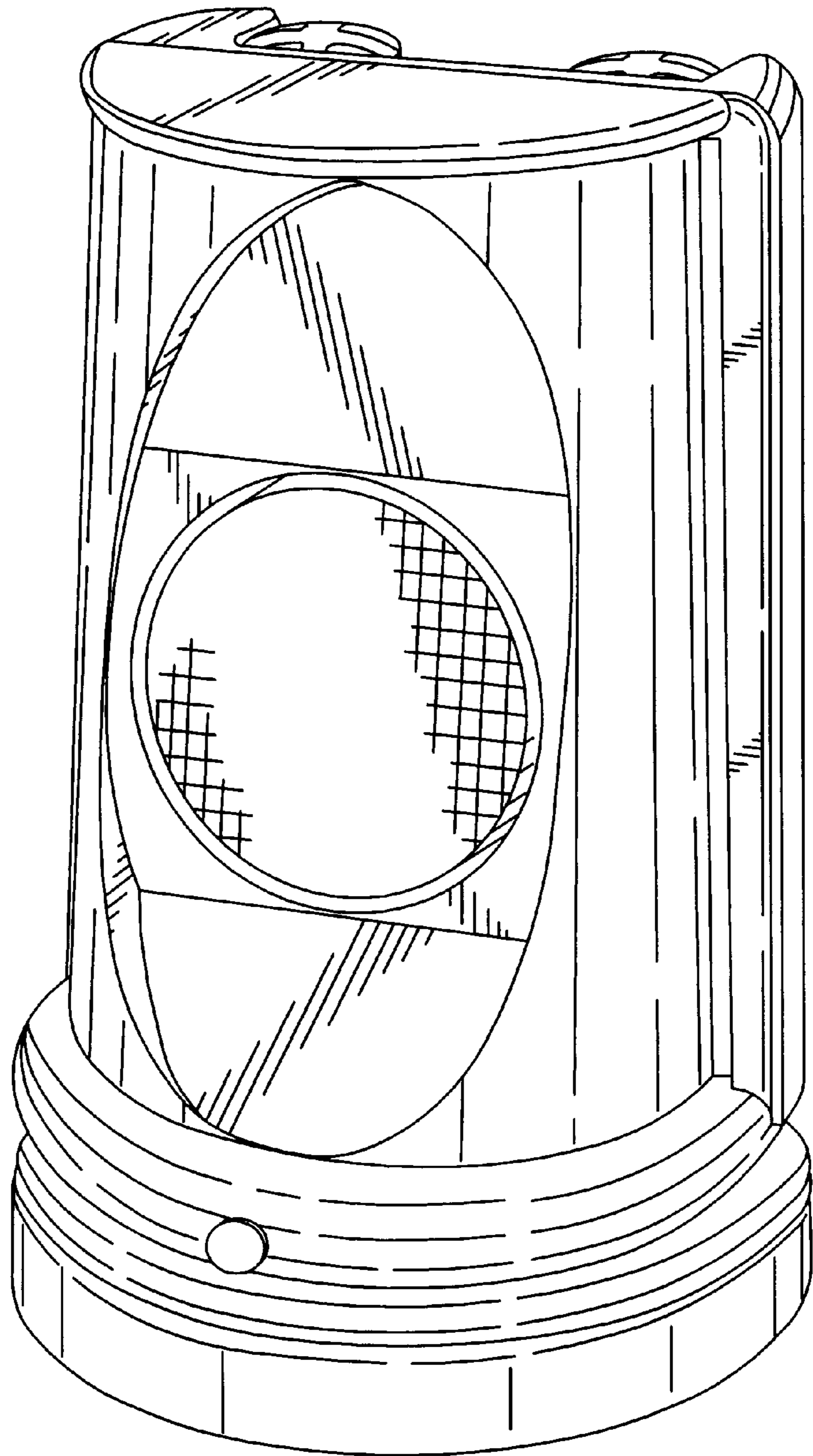


FIG. 3



*FIG. 5*