



US00D410071S

# United States Patent [19] Lord

[11] **Patent Number: Des. 410,071**

[45] **Date of Patent: \*\* \*May 18, 1999**

[54] **FAUCET SPOUT**

[75] Inventor: **Judd A. Lord**, Carmel, Ind.

[73] Assignee: **Masco Corporation of Indiana**, Indianapolis, Ind.

[\*] Notice: This patent is subject to a terminal disclaimer.

[\*\*] Term: **14 Years**

[21] Appl. No.: **29/081,016**

[22] Filed: **Dec. 22, 1997**

[51] **LOC (6) Cl.** ..... **23-01**

[52] **U.S. Cl.** ..... **D23/255**

[58] **Field of Search** ..... D23/238-243, D23/250-257; 4/675-678; 137/801

[56] **References Cited**

**U.S. PATENT DOCUMENTS**

D. 140,557	3/1945	Stanitz .	
D. 193,885	10/1962	Andrews .	
D. 197,000	11/1963	Landell .	
D. 203,246	12/1965	Harvey et al. .	
D. 213,874	4/1969	Landell .....	D23/238
D. 219,779	1/1971	Tiller .....	D23/238
D. 253,799	1/1980	Saporito et al. .	
D. 297,357	8/1988	Spangler .	
D. 297,358	8/1988	Hill .	
D. 363,534	10/1995	Hill et al. .	
D. 363,535	10/1995	Hill et al. .	
D. 364,211	11/1995	Hill et al. .	
D. 364,212	11/1995	Hill et al. .	
D. 365,142	12/1995	Hill et al. .	
D. 367,697	3/1996	Haug et al. .	
D. 367,698	3/1996	Haug et al. .	
D. 367,917	3/1996	Haug et al. ....	D23/238
D. 367,918	3/1996	Haug et al. ....	D23/238
D. 368,956	4/1996	Haug et al. ....	D23/238
3,035,612	5/1962	Lyon .	
3,202,181	8/1965	West .	
4,804,010	2/1989	Meissenburg .	

**OTHER PUBLICATIONS**

Sweet's Catalog File (1980).  
 Kohler pp. 3-36 (admitted prior art).  
 Delta Full Line Catalog—The Way Water is Brought to Life (1992).  
 Delta Full Line Price List (admitted prior art).  
 Euroexclusive: Euromodular (1987).  
 Delta HDF Catalog (Commercial Products)(1987).  
 Best (admitted prior art).  
 Moen—Enduring Elegance (admitted prior art).  
 Delta Full Line Catalog—Living with Classics (admitted prior art).  
 Moen—Fifty Years of Faucet Innovation (admitted prior art).

*Primary Examiner*—Louis S. Zarfes  
*Assistant Examiner*—Eric Watterson  
*Attorney, Agent, or Firm*—Myron B. Kapustij; Leon E. Redman

[57] **CLAIM**

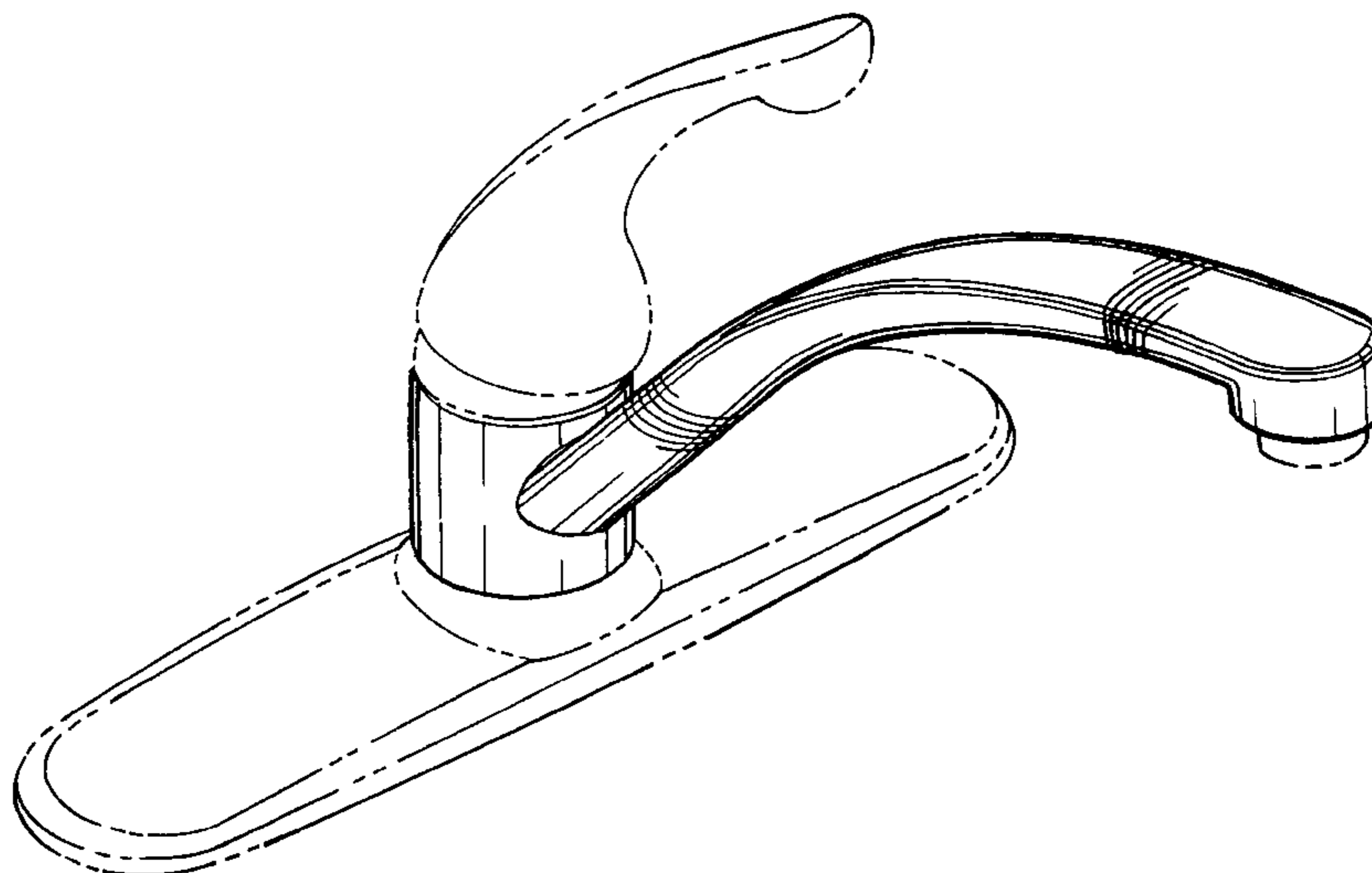
The ornamental design for a faucet spout, as shown and described.

**DESCRIPTION**

FIG. 1 is a front perspective view of a faucet spout showing my new design;  
 FIG. 2 is a rear perspective view thereof;  
 FIG. 3 is a top plan view thereof;  
 FIG. 4 is a front elevational view thereof;  
 FIG. 5 is a right side elevational view thereof, the left side being a mirror image;  
 FIG. 6 is a rear elevational view thereof; and,  
 FIG. 7 is a bottom plan view thereof.

The broken line showings of the aerator in FIGS. 1-2, 4-5 and 7, of the handle in FIGS. 1,4 and 5, of the bonnet nut in FIGS. 1 and 4-5, and of the escutcheon in FIGS. 1-6 are for purposes of illustration only and form no part of the claimed design.

**1 Claim, 4 Drawing Sheets**



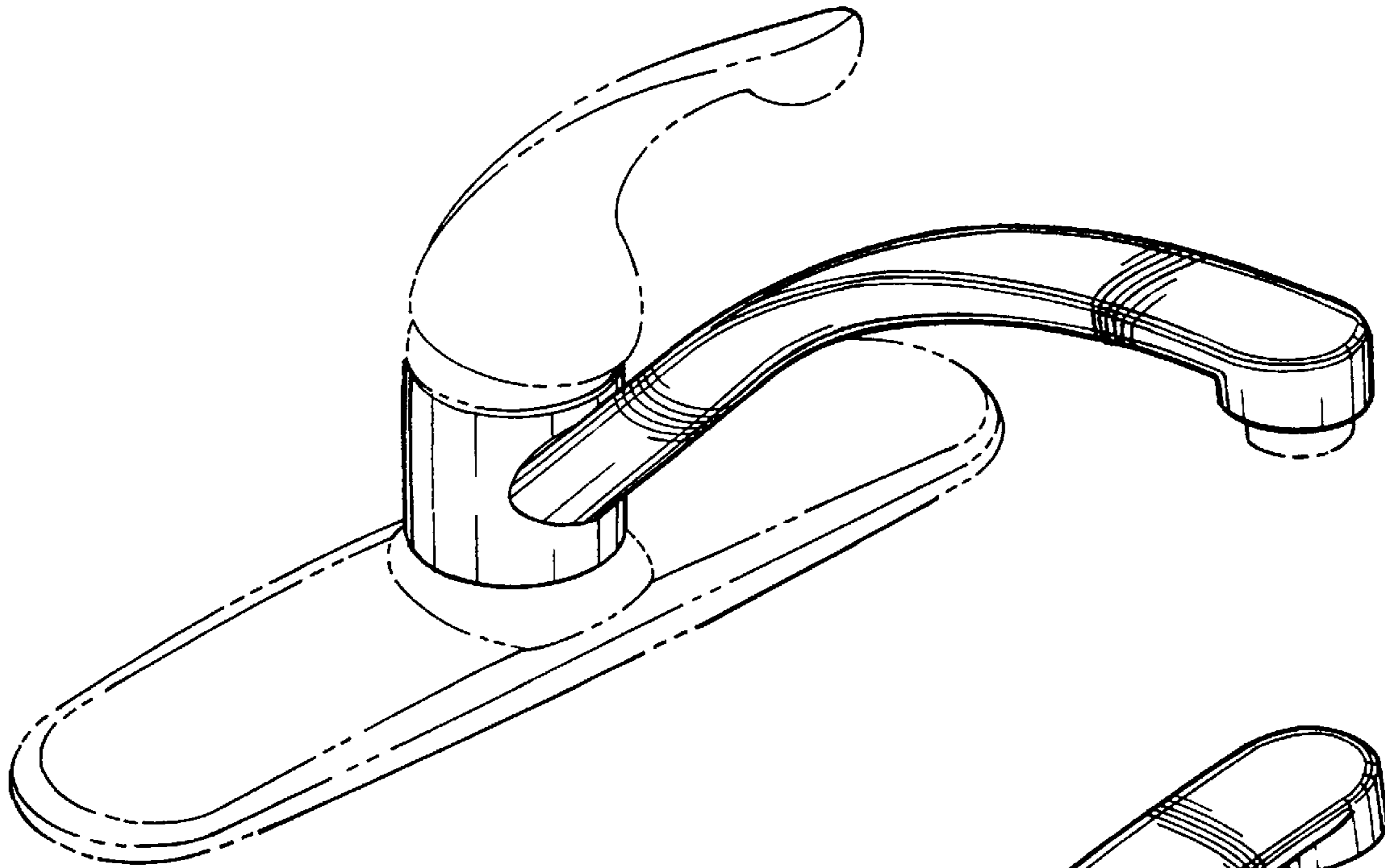


Fig-1

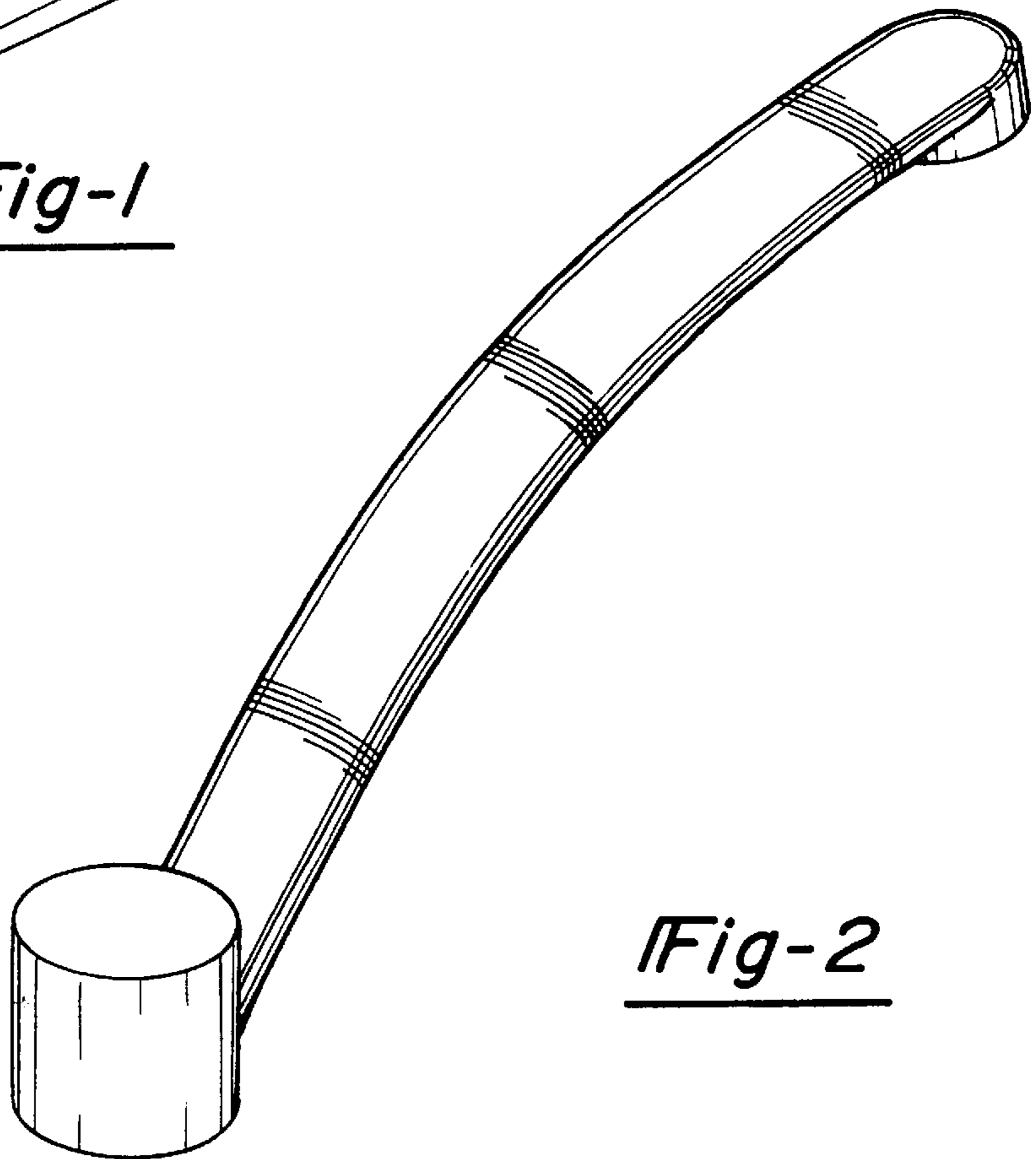


Fig-2

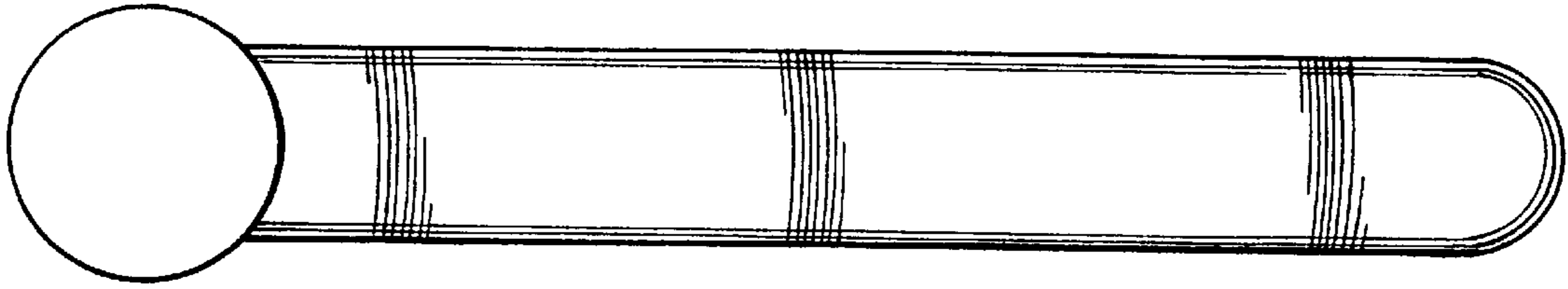


Fig-3

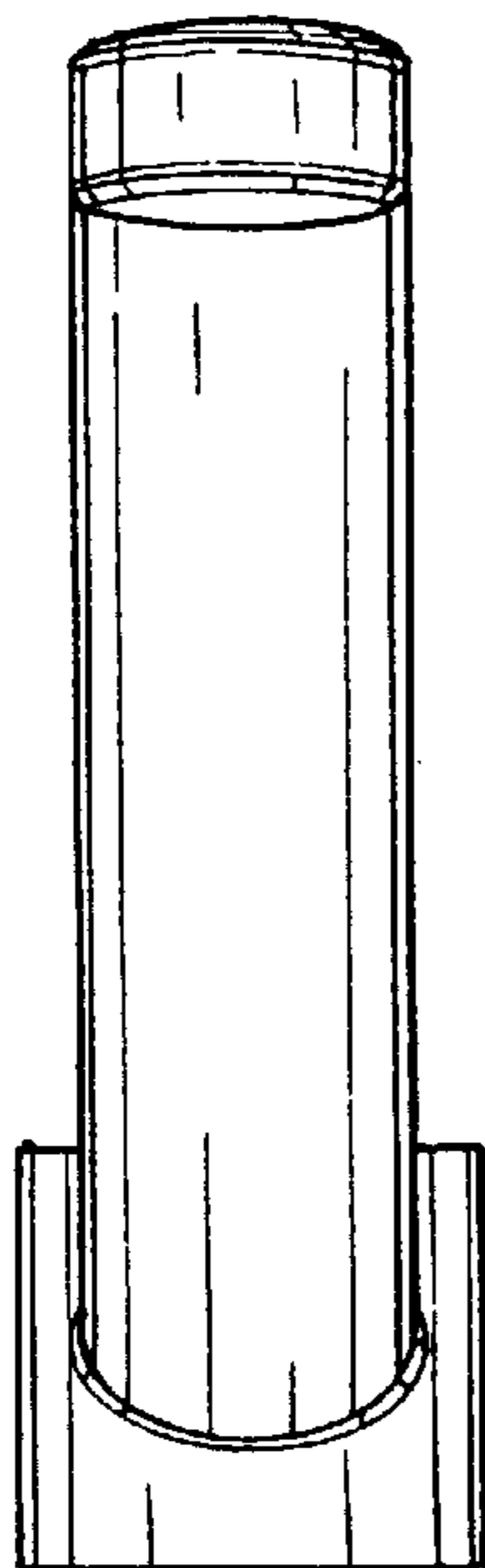


Fig-4

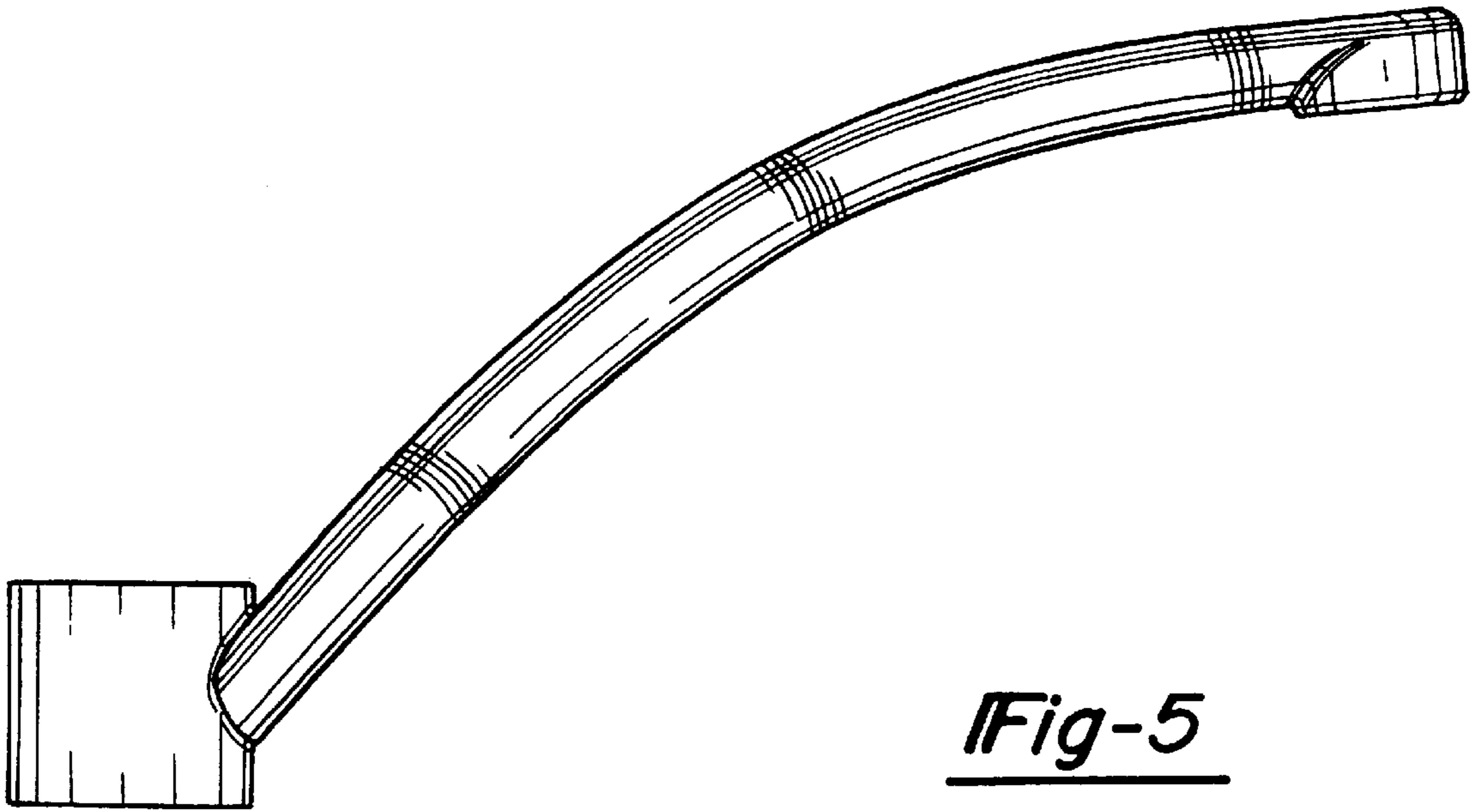


Fig-5

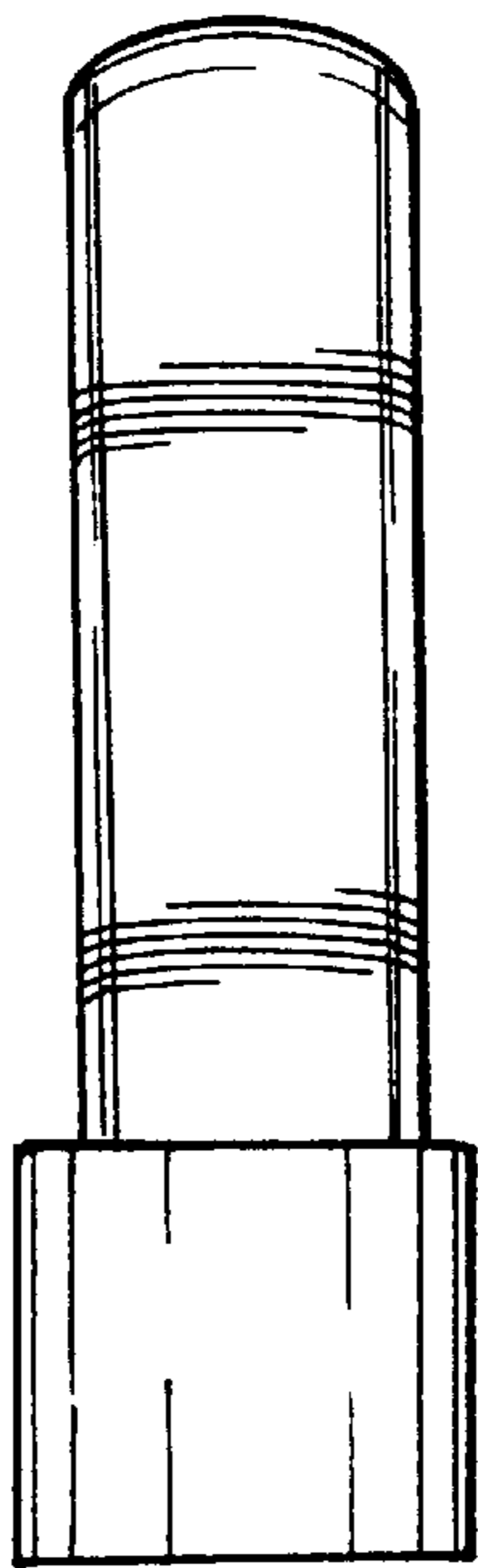


Fig-6

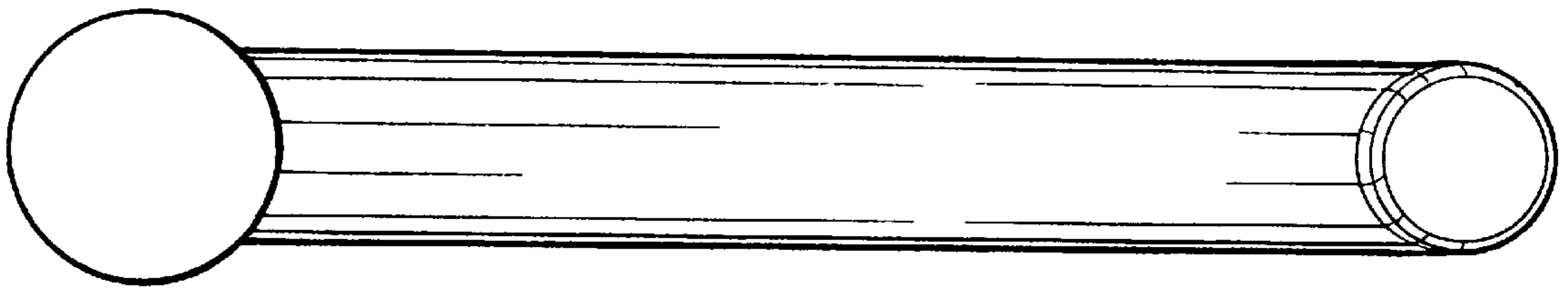


Fig-7