



US00D410070S

United States Patent [19] Hattori

[11] **Patent Number: Des. 410,070**

[45] **Date of Patent: ** May 18, 1999**

[54] **BUTTERFLY VALVE**

[76] Inventor: **Takamasa Hattori**, 1-5-14 Kibougaoka
Kumatori-cho, Sennan-gun, Osaka,
Japan

[**] Term: **14 Years**

[21] Appl. No.: **29/083,034**

[22] Filed: **Feb. 3, 1998**

[51] **LOC (6) Cl.** **23-01**

[52] **U.S. Cl.** **D23/244**

[58] **Field of Search** D23/233-235,
D23/244-246; 251/305, 248, 249.5

[56] **References Cited**

U.S. PATENT DOCUMENTS

D. 25,720	6/1896	Lunken	D23/244
D. 190,350	5/1961	Anderson et al.	D23/244
D. 251,255	3/1979	Hansen et al.	D23/244

D. 291,723	9/1987	Kemp	D23/244
D. 292,933	11/1987	Kemp	D23/244

Primary Examiner—Alan P. Douglas
Assistant Examiner—Robin V. Taylor
Attorney, Agent, or Firm—Nikaido, Marmelstein, Murray & Oram LLP

[57] **CLAIM**

The ornamental design for a butterfly valve, as shown and described.

DESCRIPTION

FIG. 1 is a top plan view of a butterfly valve, showing my new design;
FIG. 2 is a front elevational view thereof, the rear side being a mirror image thereof;
FIG. 3 is a bottom plan view thereof;
FIG. 4 is a left side elevational view thereof; and,
FIG. 5 is a right side elevational view thereof.

1 Claim, 2 Drawing Sheets

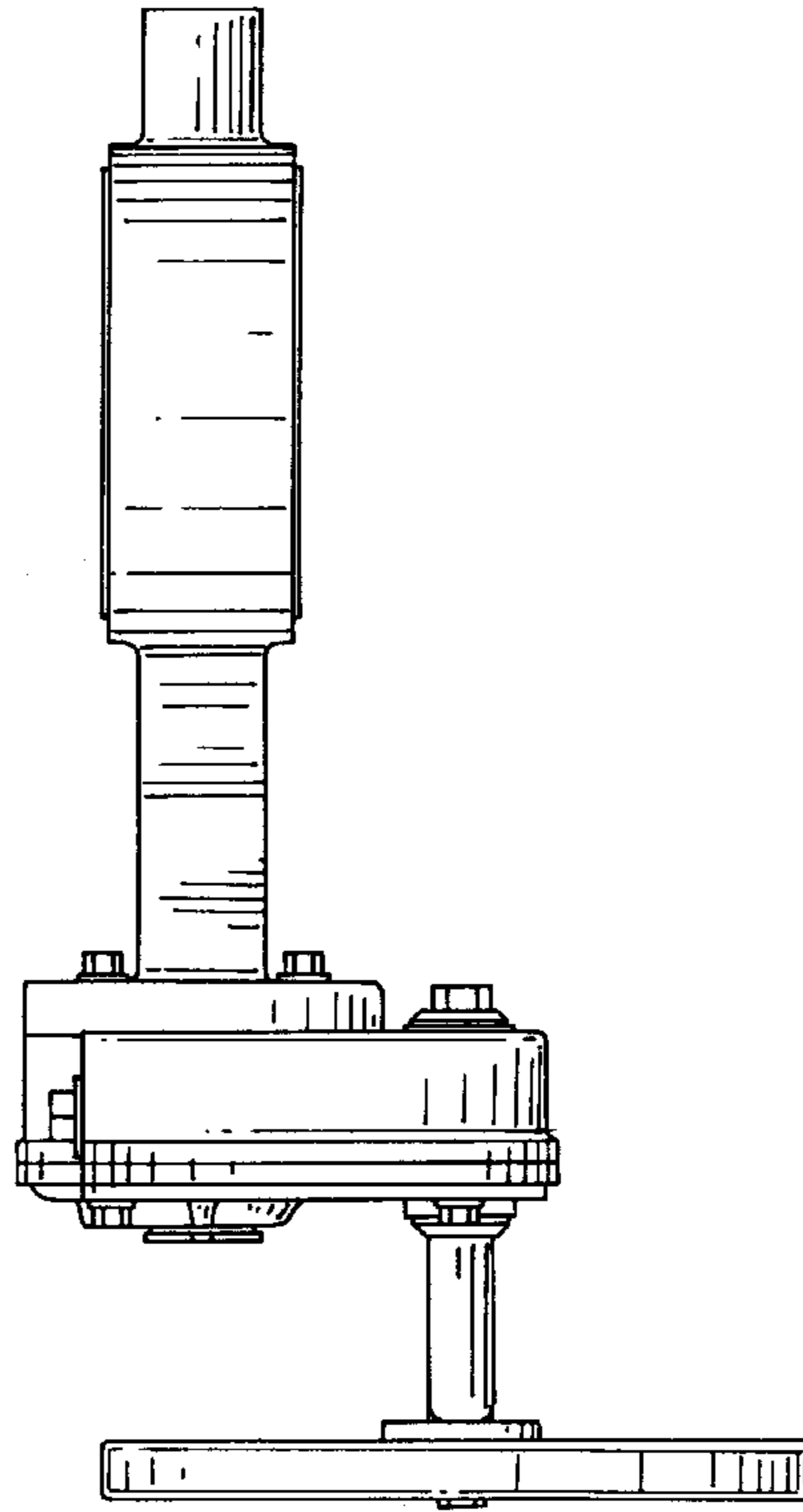
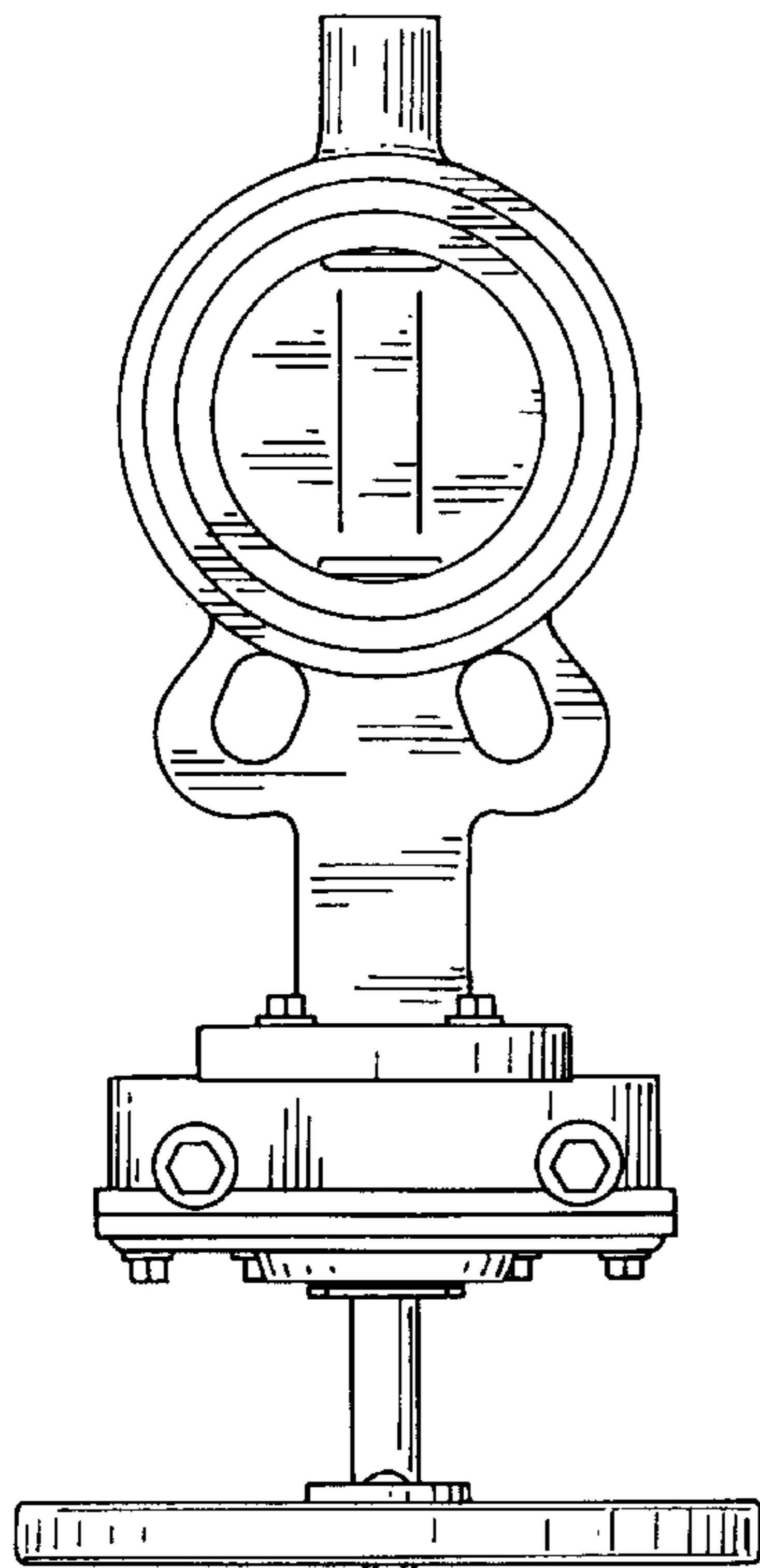


FIG. 1

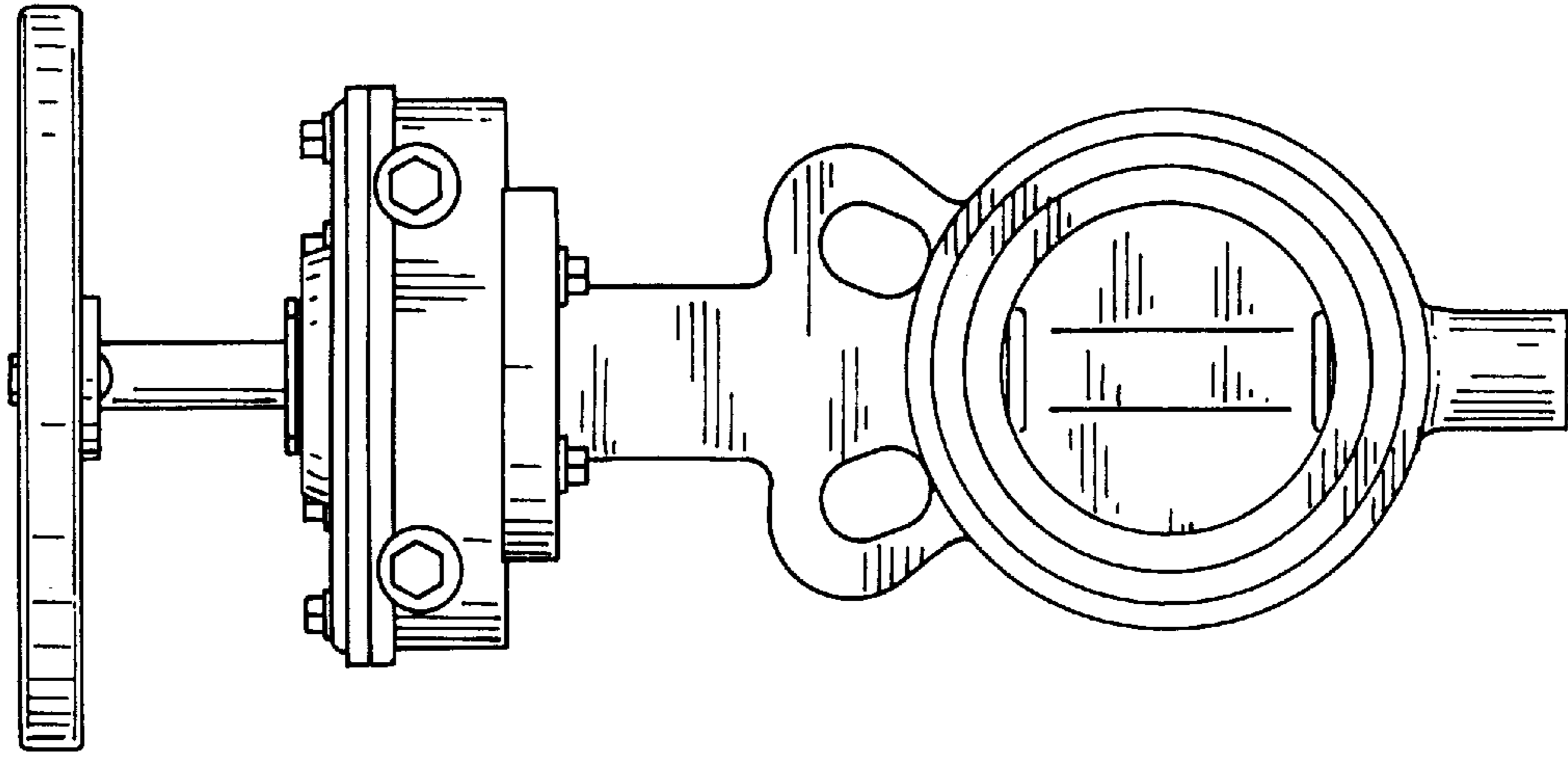


FIG. 2

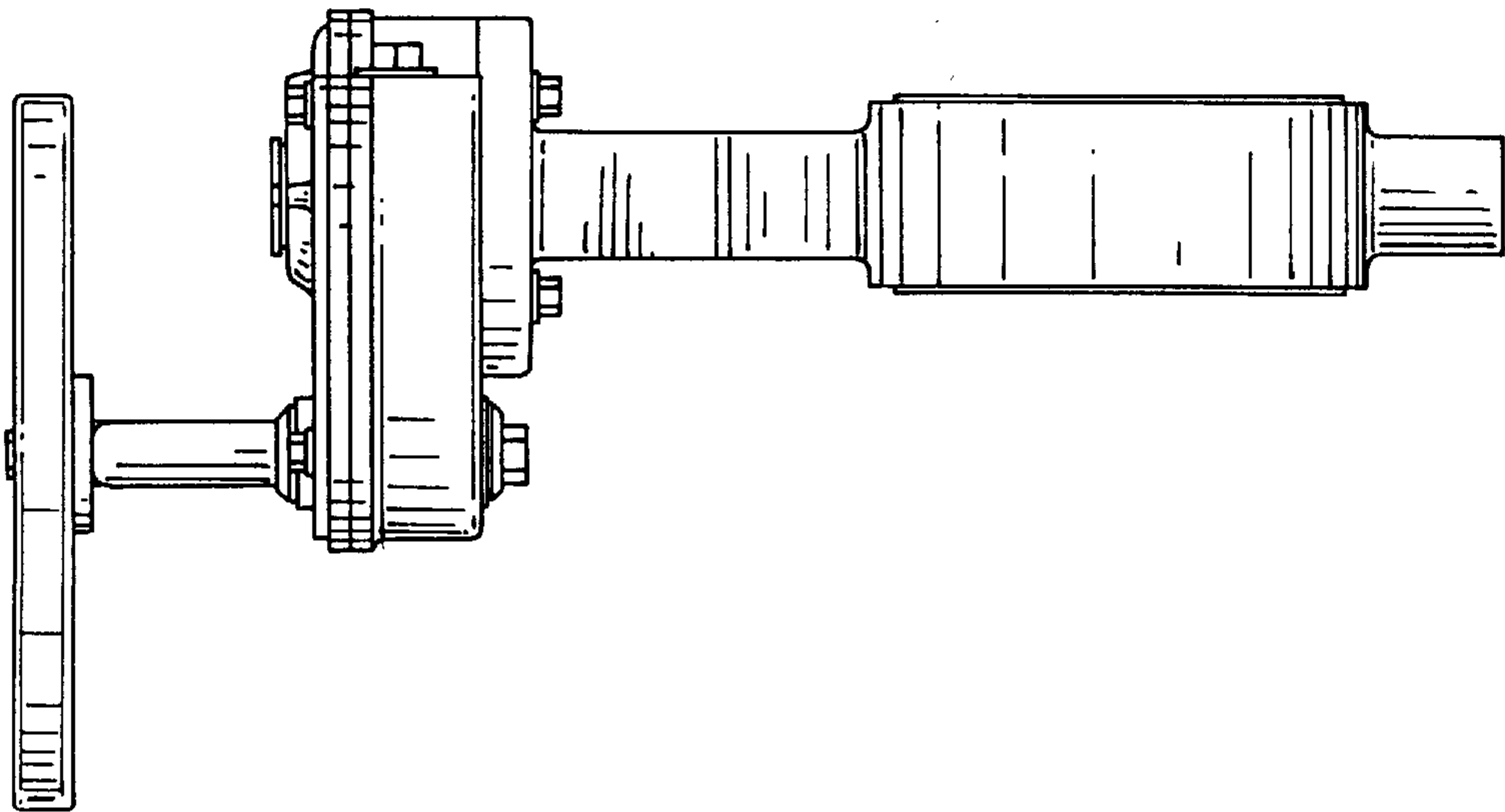


FIG. 3

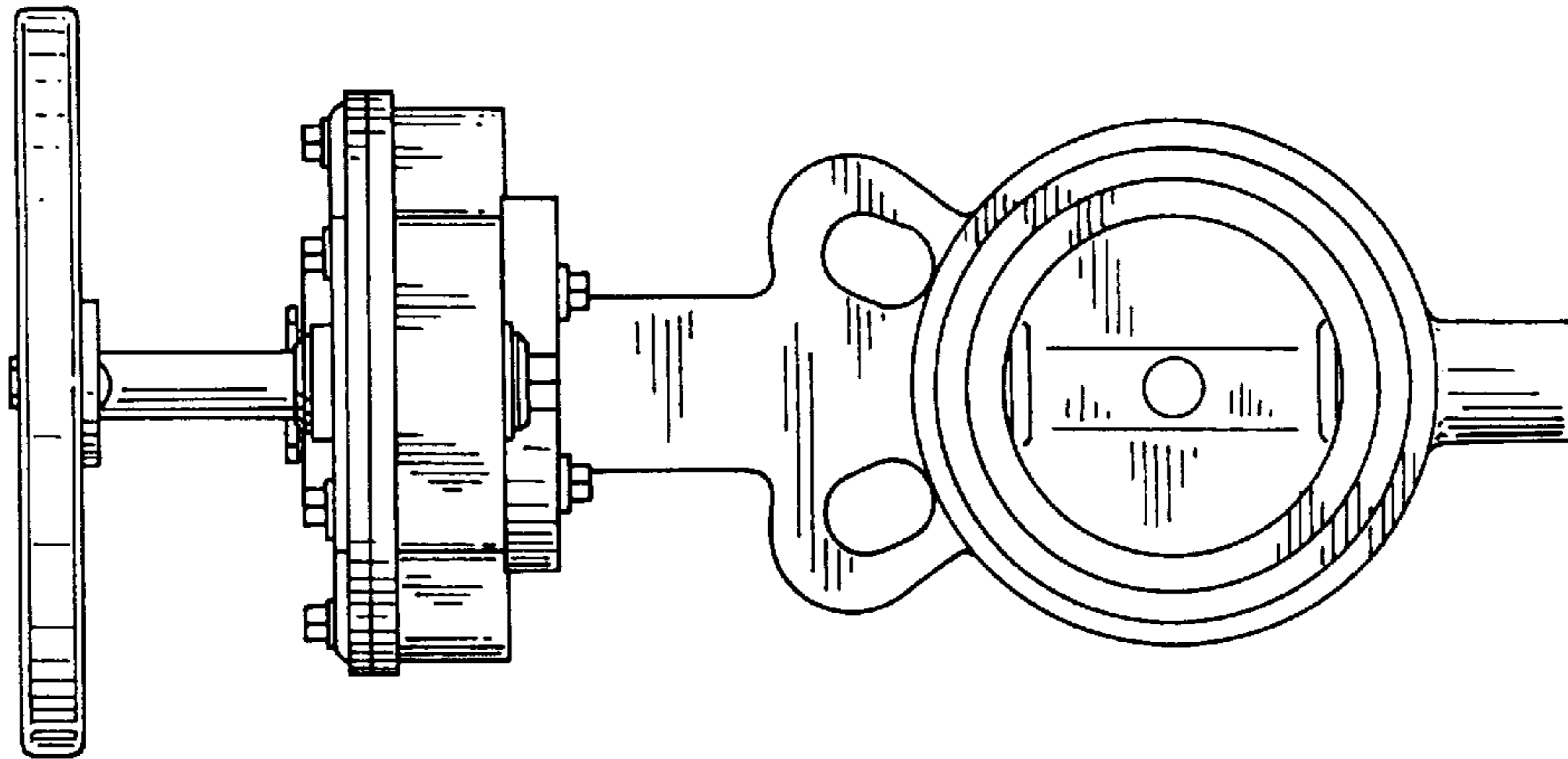


FIG. 4

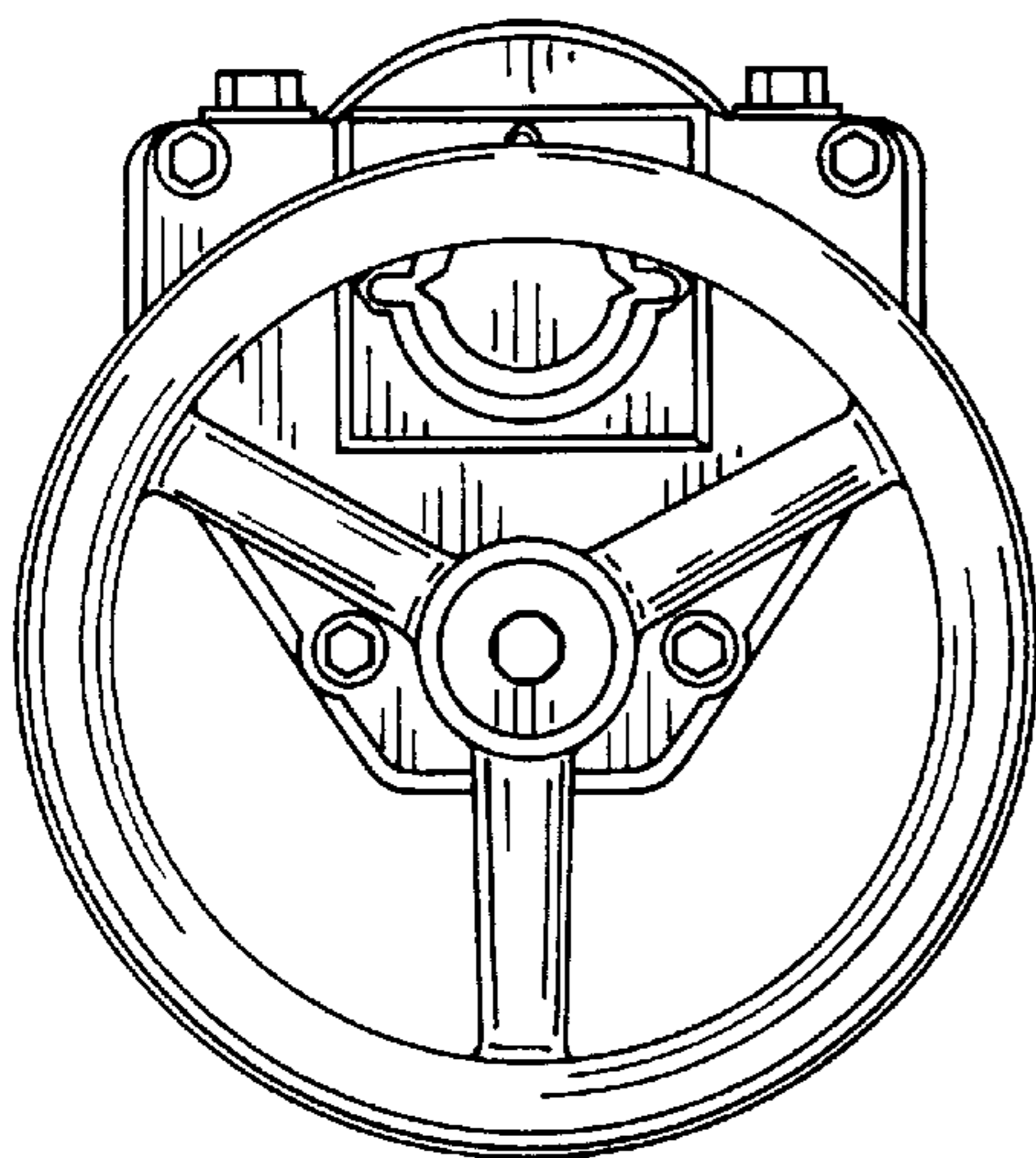


FIG. 5

