



US00D410069S

**United States Patent** [19]  
**Lobermeier**

[11] **Patent Number: Des. 410,069**

[45] **Date of Patent: \*\* May 18, 1999**

[54] **WALL-MOUNTED SINGLE-HANDLE MIXING FAUCET**

[75] Inventor: **Hans Lobermeier**, Menden, Germany

[73] Assignee: **Friedrich Grohe AG**, Hemer, Germany

[\*\*] Term: **14 Years**

[21] Appl. No.: **29/094,010**

[22] Filed: **Sep. 23, 1998**

[30] **Foreign Application Priority Data**

Apr. 16, 1998 [DE] Germany ..... 98 03 680

[51] **LOC (6) Cl.** ..... **23-02**

[52] **U.S. Cl.** ..... **D23/243**

[58] **Field of Search** ..... D23/238-243,  
D23/250-257; 4/675-678; 137/801; D8/300-310

[56] **References Cited**

**U.S. PATENT DOCUMENTS**

- D. 61,953 2/1923 Hitchcock ..... D23/243
- D. 62,740 7/1923 Muend ..... D23/243
- D. 62,864 8/1923 Benjamin ..... D23/243

- D. 67,520 6/1925 Harper ..... D23/243
- D. 72,505 4/1927 Van Eweyk ..... D23/243
- D. 312,118 11/1990 Lau ..... D23/238
- D. 341,410 11/1993 Molinaro ..... D23/238
- D. 366,097 1/1996 Gottwald ..... D23/238

*Primary Examiner*—Louis S. Zarfes  
*Assistant Examiner*—Eric Watterson  
*Attorney, Agent, or Firm*—Herbert Dubno

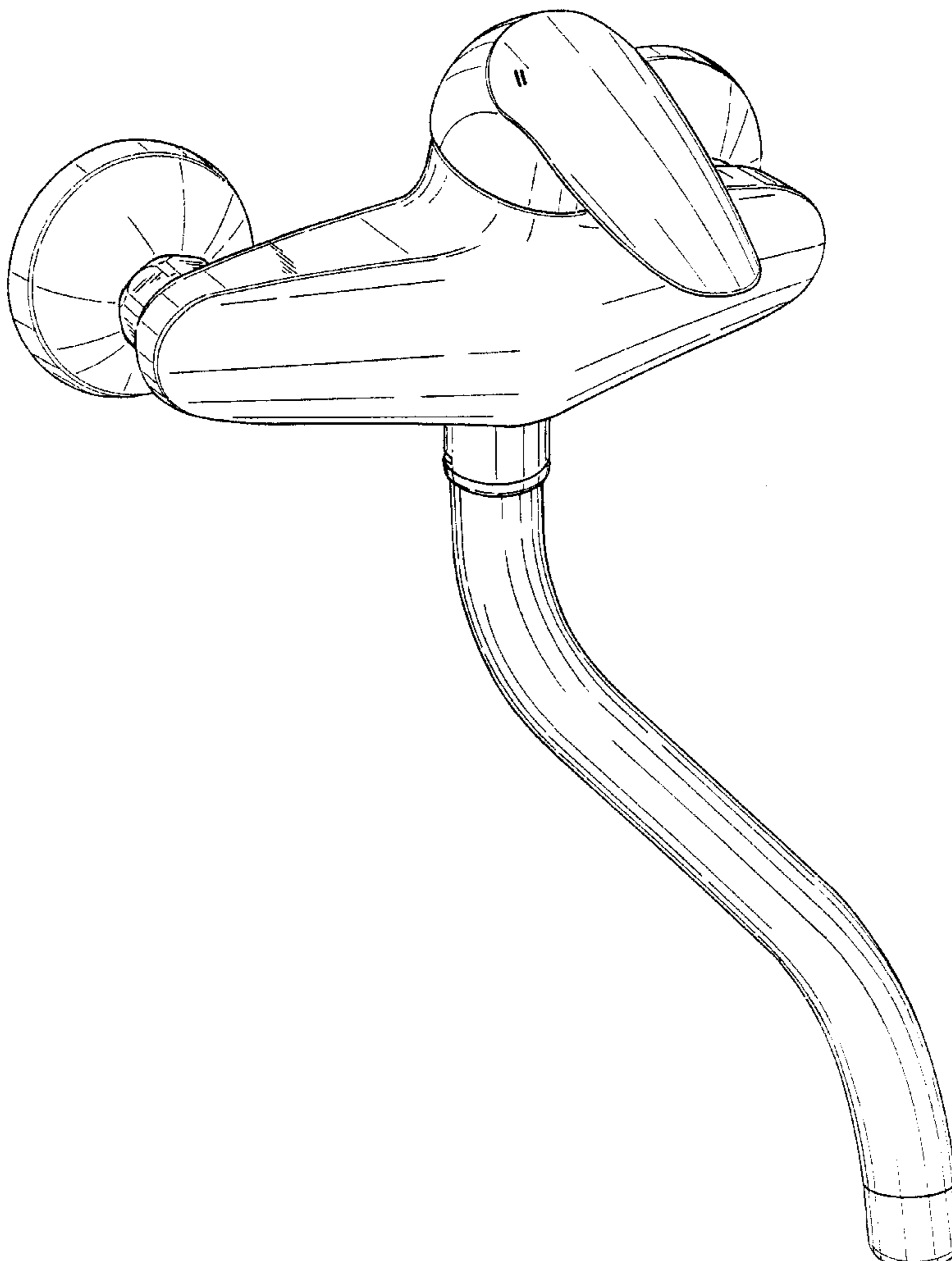
[57] **CLAIM**

The ornamental design for a wall-mounted single-handle mixing faucet, as shown and described.

**DESCRIPTION**

FIG. 1 is a top, front, left-side elevational view of a wall-mounted single-handle mixing faucet showing my new design;  
FIG. 2 is a front view thereof;  
FIG. 3 is a top view thereof;  
FIG. 4 is a bottom view thereof;  
FIG. 5 is a left side elevational view thereof, the right side elevational view being mirror symmetrical thereto; and,  
FIG. 6 is a bottom view thereof.

**1 Claim, 6 Drawing Sheets**



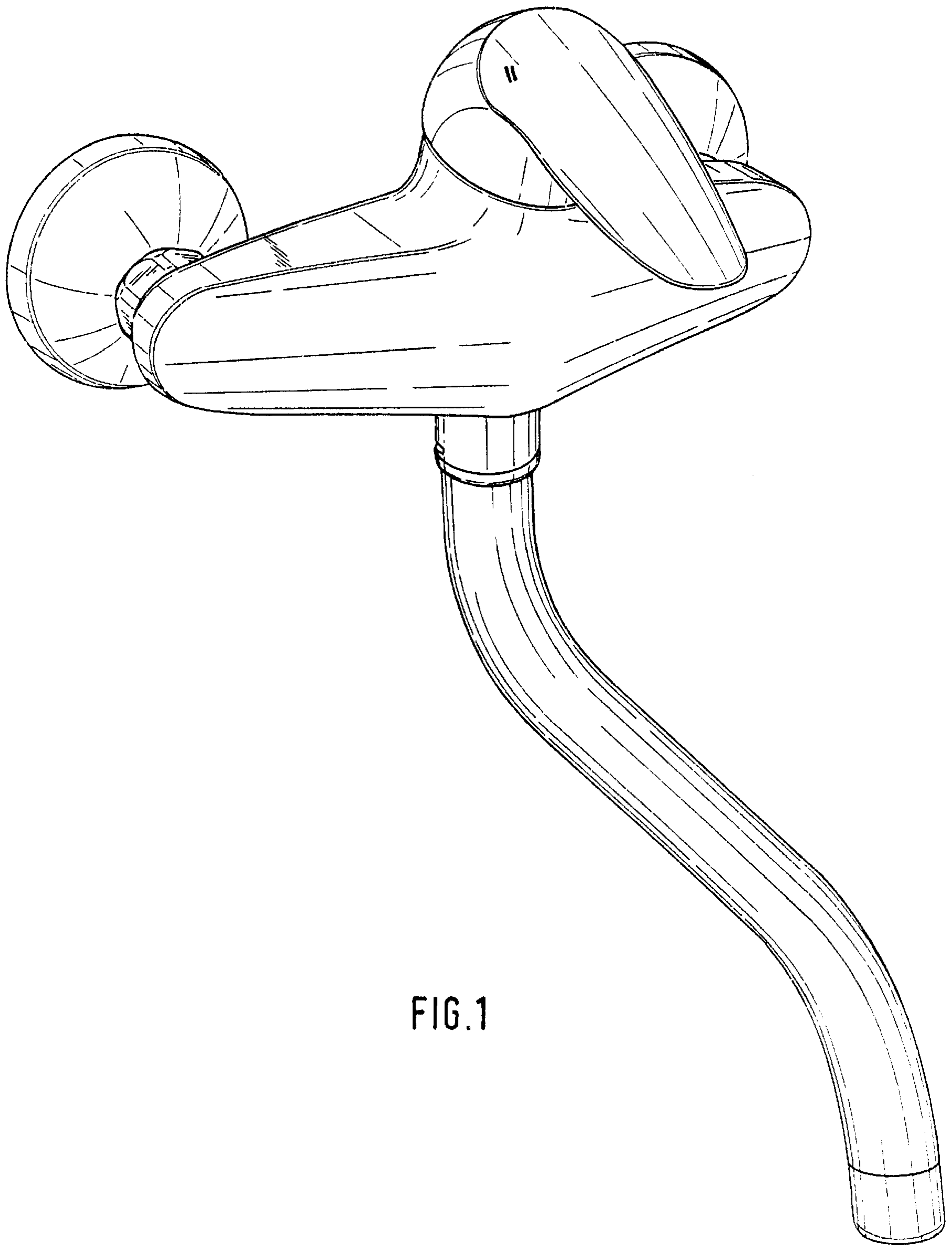


FIG. 1

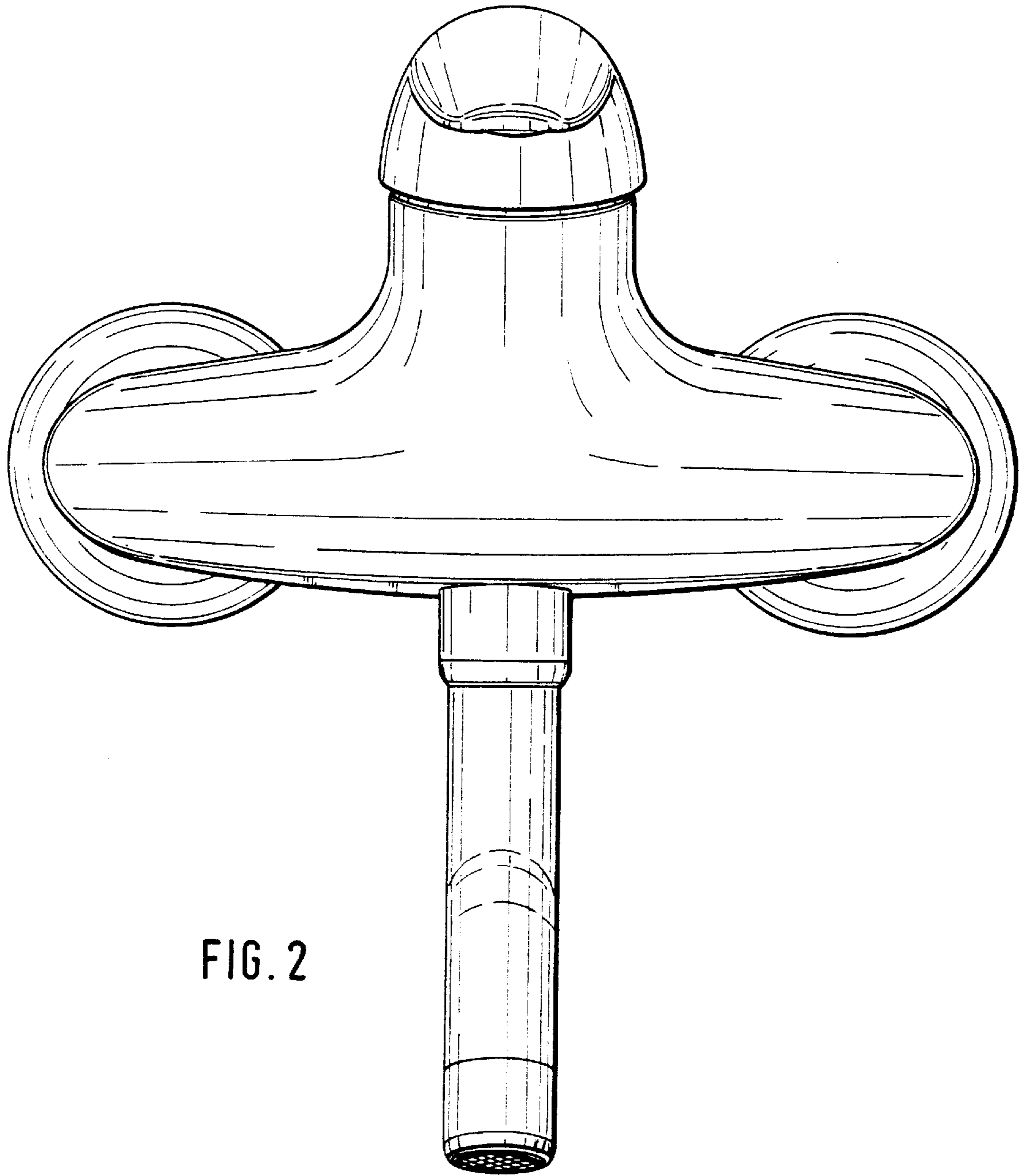


FIG. 2

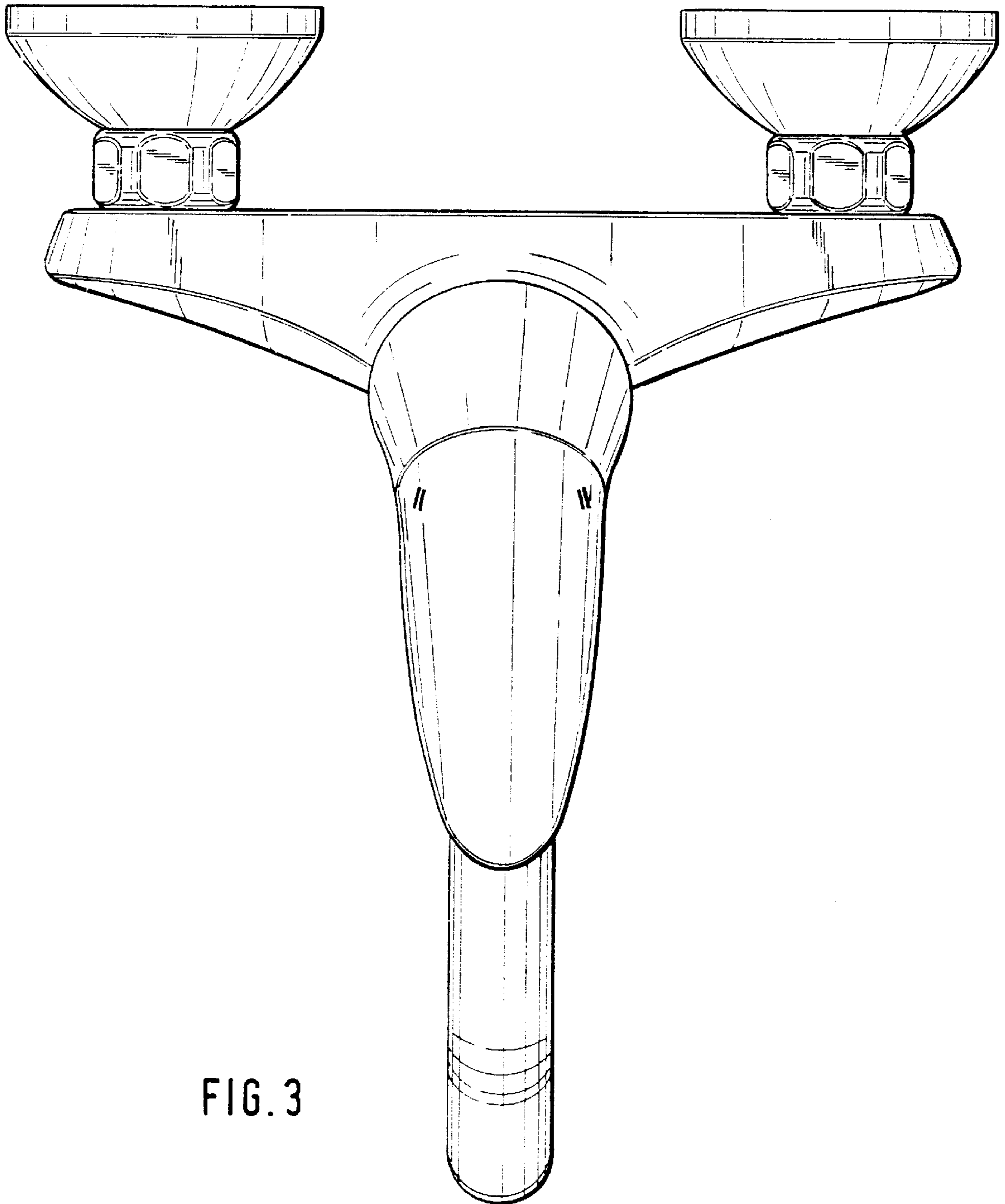


FIG. 3

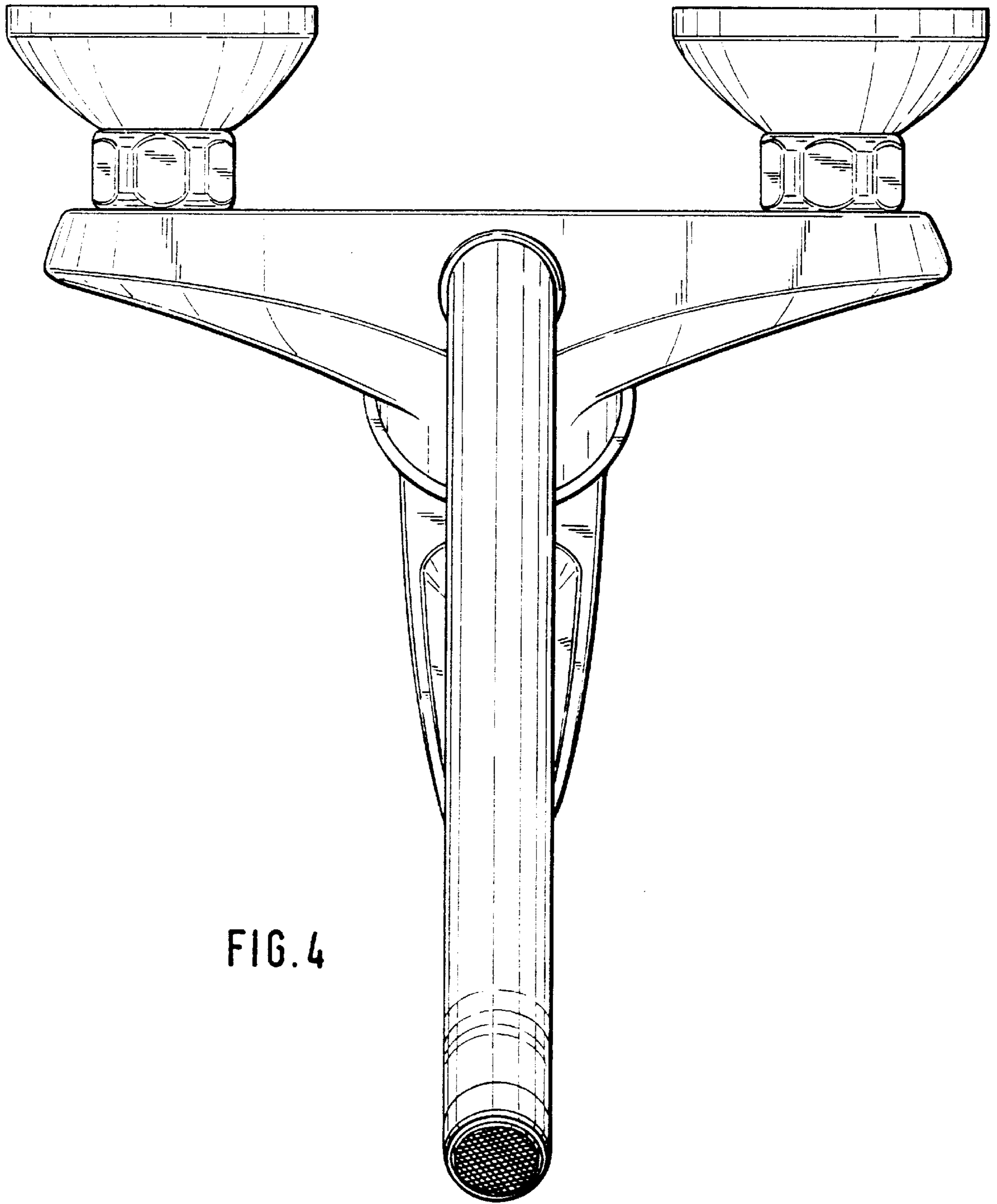


FIG. 4

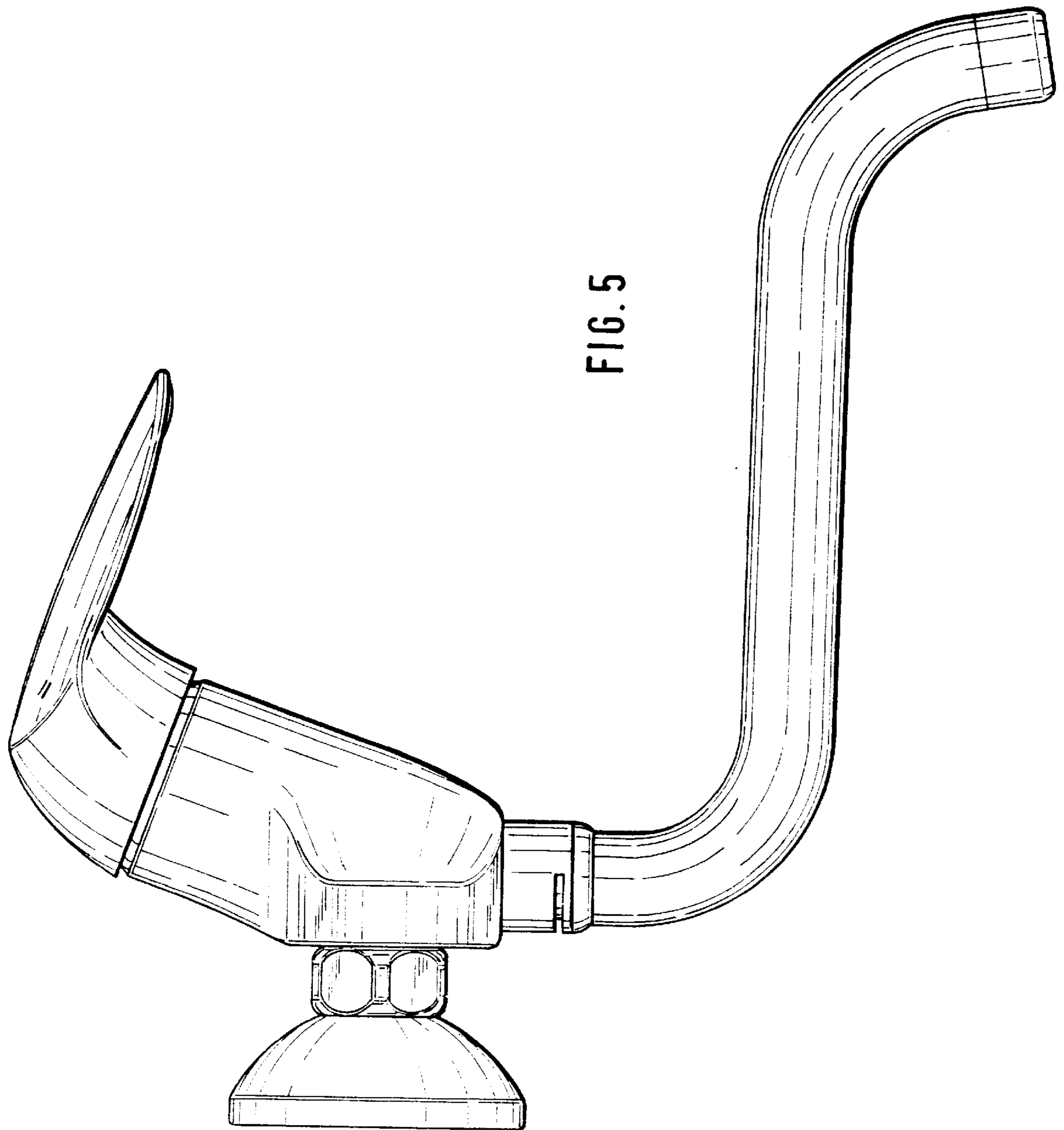


FIG. 5

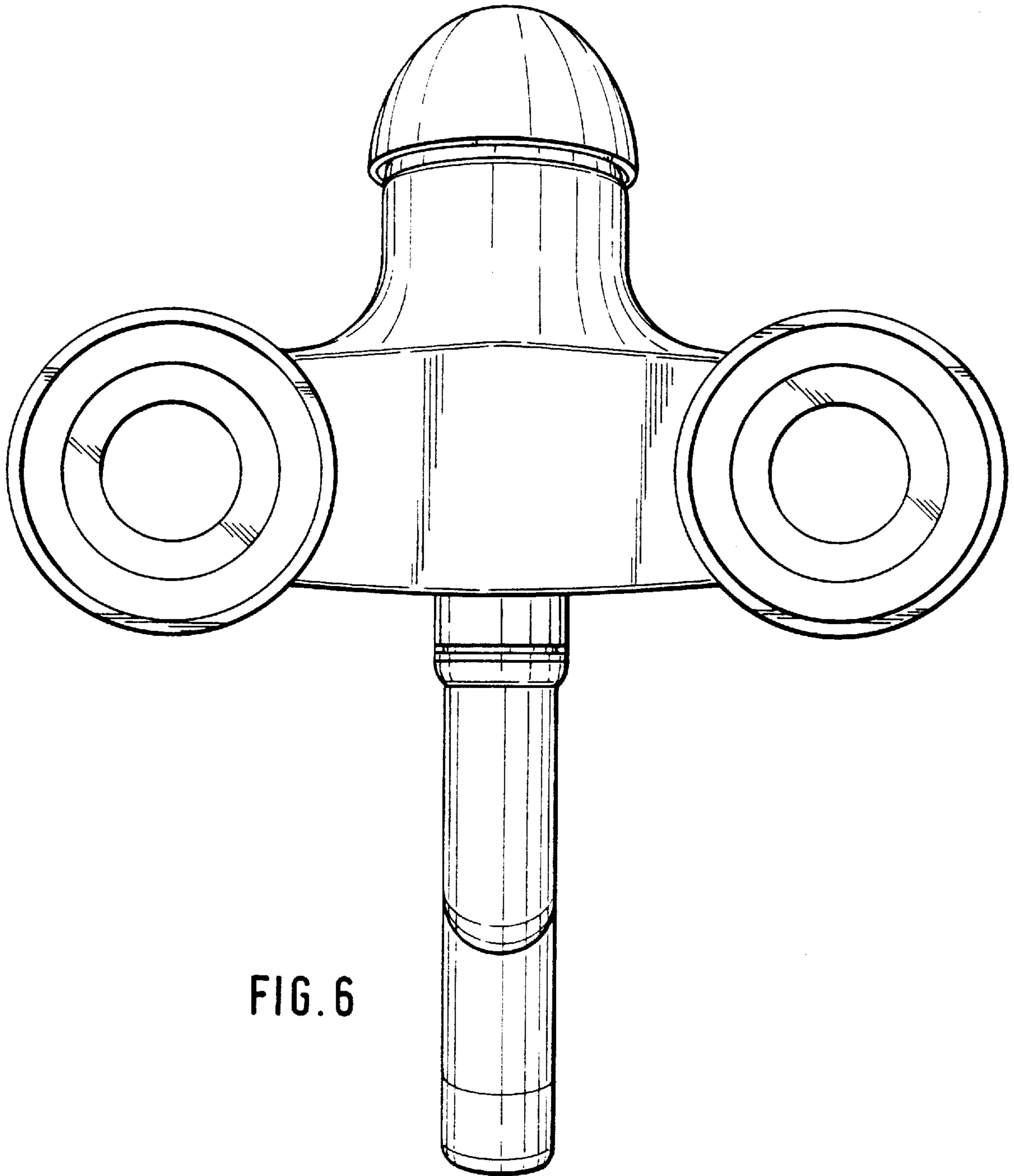


FIG. 6