



US00D410068S

United States Patent [19] Gottwald

[11] **Patent Number: Des. 410,068**

[45] **Date of Patent: ** May 18, 1999**

[54] **TUB AND SHOWER FAUCET**

[75] **Inventor: Adolf Gottwald, Iserlohn, Germany**

[73] **Assignee: Friedrich Grohe AG, Hemer, Germany**

[**] **Term: 14 Years**

[21] **Appl. No.: 29/091,477**

[22] **Filed: Jul. 30, 1998**

[30] **Foreign Application Priority Data**

Feb. 19, 1998 [DE] Germany M 98 01 732

[51] **LOC (6) Cl. 23-01**

[52] **U.S. Cl. D23/238**

[58] **Field of Search D23/238-243,
D23/250-257; D8/300-310; 4/675-678;
137/801**

[56] **References Cited**

U.S. PATENT DOCUMENTS

D. 149,344 4/1948 Ritter D23/238

D. 293,599 1/1988 Bergmann et al. D23/238
D. 312,118 11/1990 Lou D23/238
D. 365,624 12/1995 Gottwald D23/238
D. 388,155 12/1997 Gottwald et al. D23/238

Primary Examiner—Louis S. Zarfes
Assistant Examiner—Eric Watterson
Attorney, Agent, or Firm—Herbert Dubno

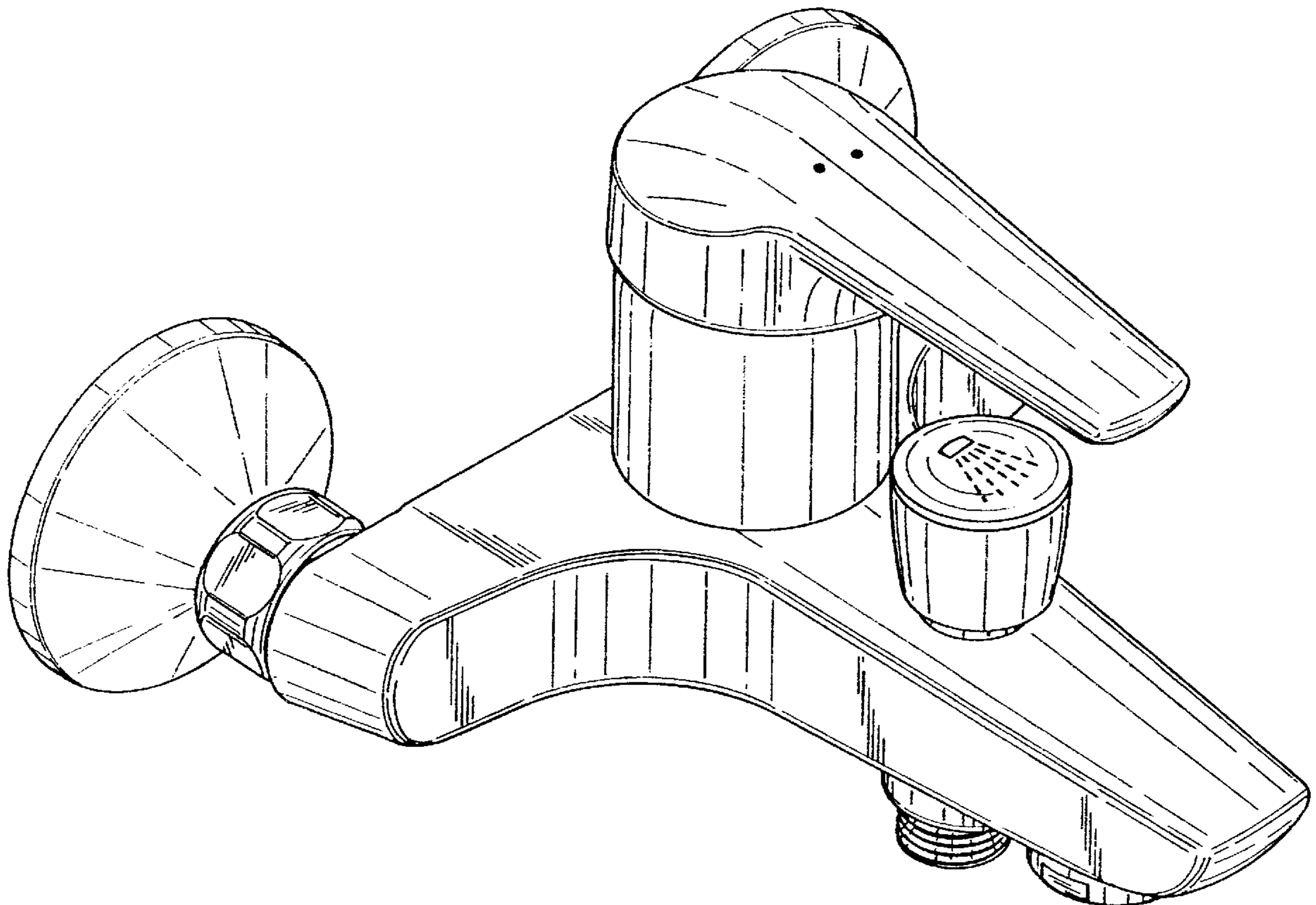
[57] **CLAIM**

The ornamental design for a tub and shower faucet, as shown and described.

DESCRIPTION

FIG. 1 is a top, front, left-side perspective view of a tub and shower faucet showing my new design;
FIG. 2 is a left side elevational view thereof, the right side elevational view being mirror symmetrical thereto;
FIG. 3 is a front view thereof;
FIG. 4 is a rear view thereof;
FIG. 5 is a top view thereof; and,
FIG. 6 is a bottom view thereof.

1 Claim, 6 Drawing Sheets



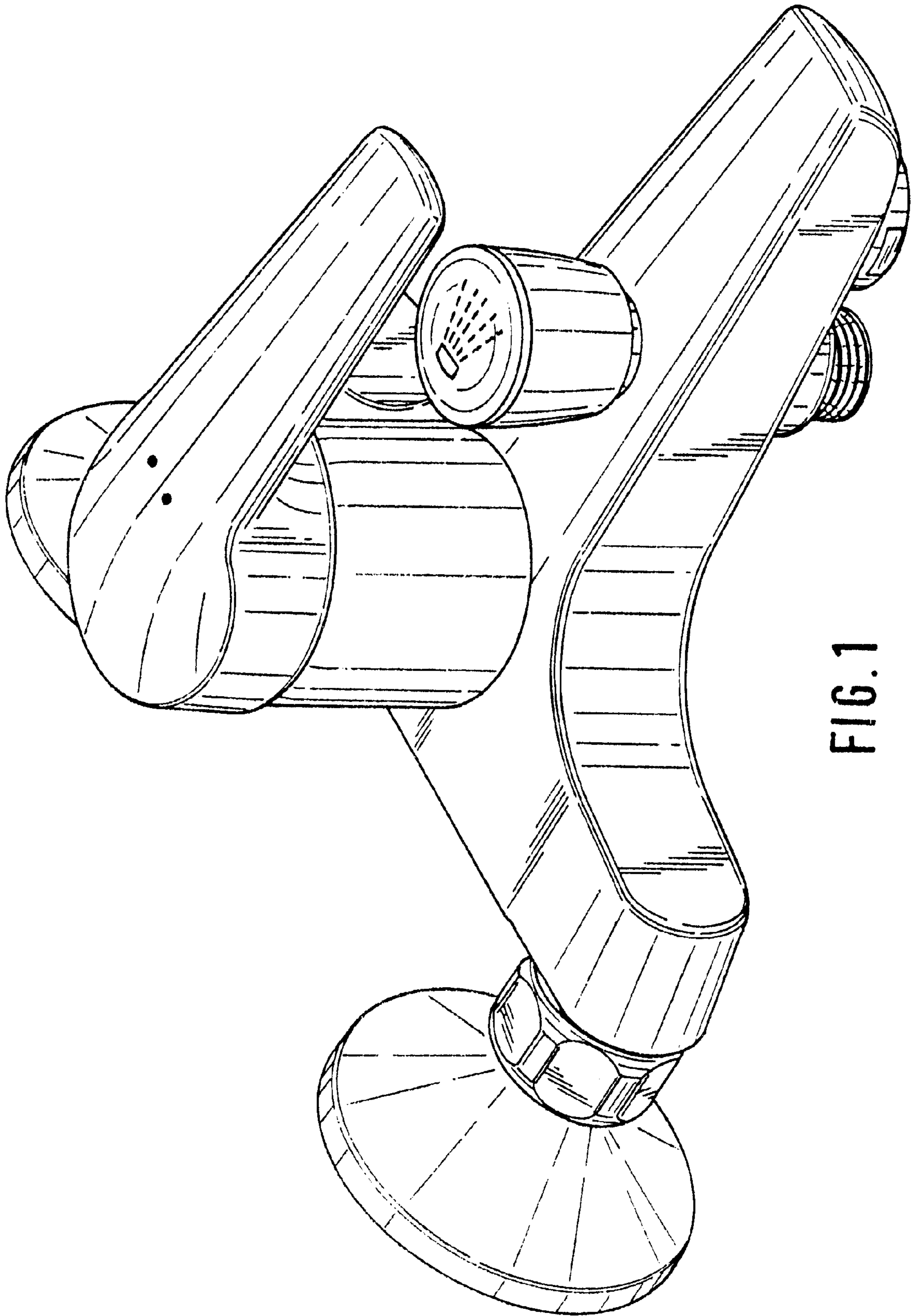


FIG. 1

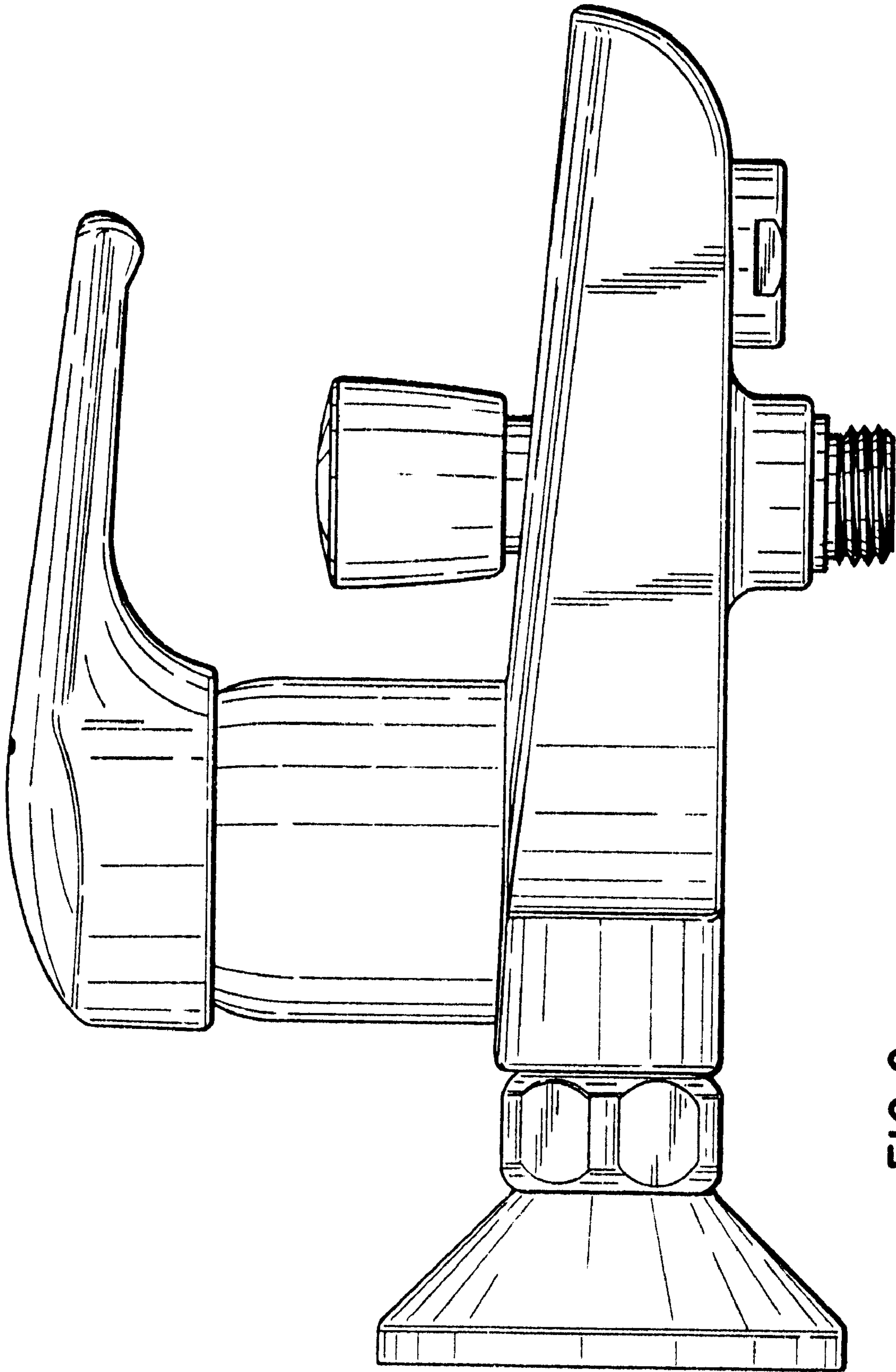


FIG. 2

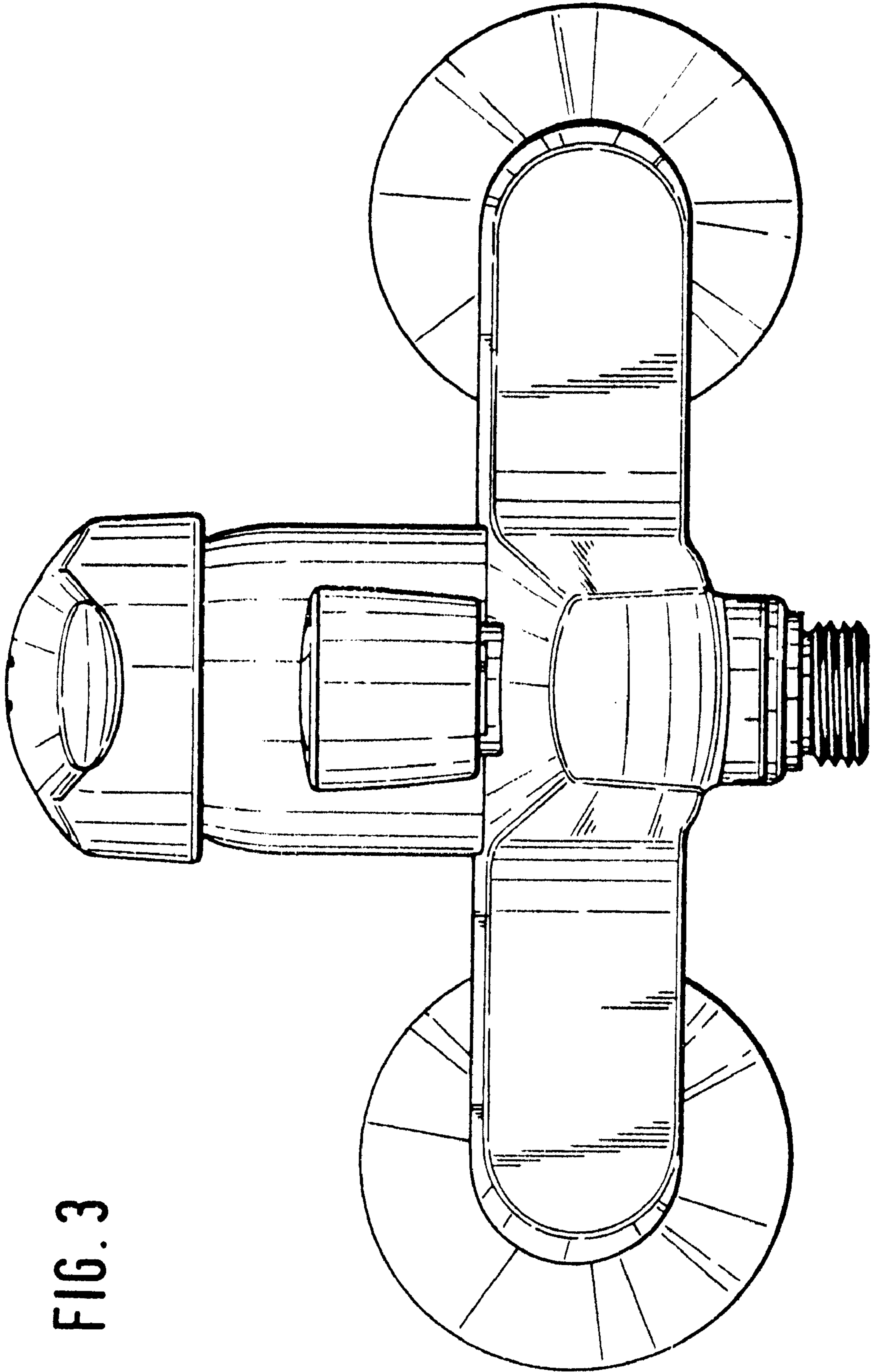


FIG. 3

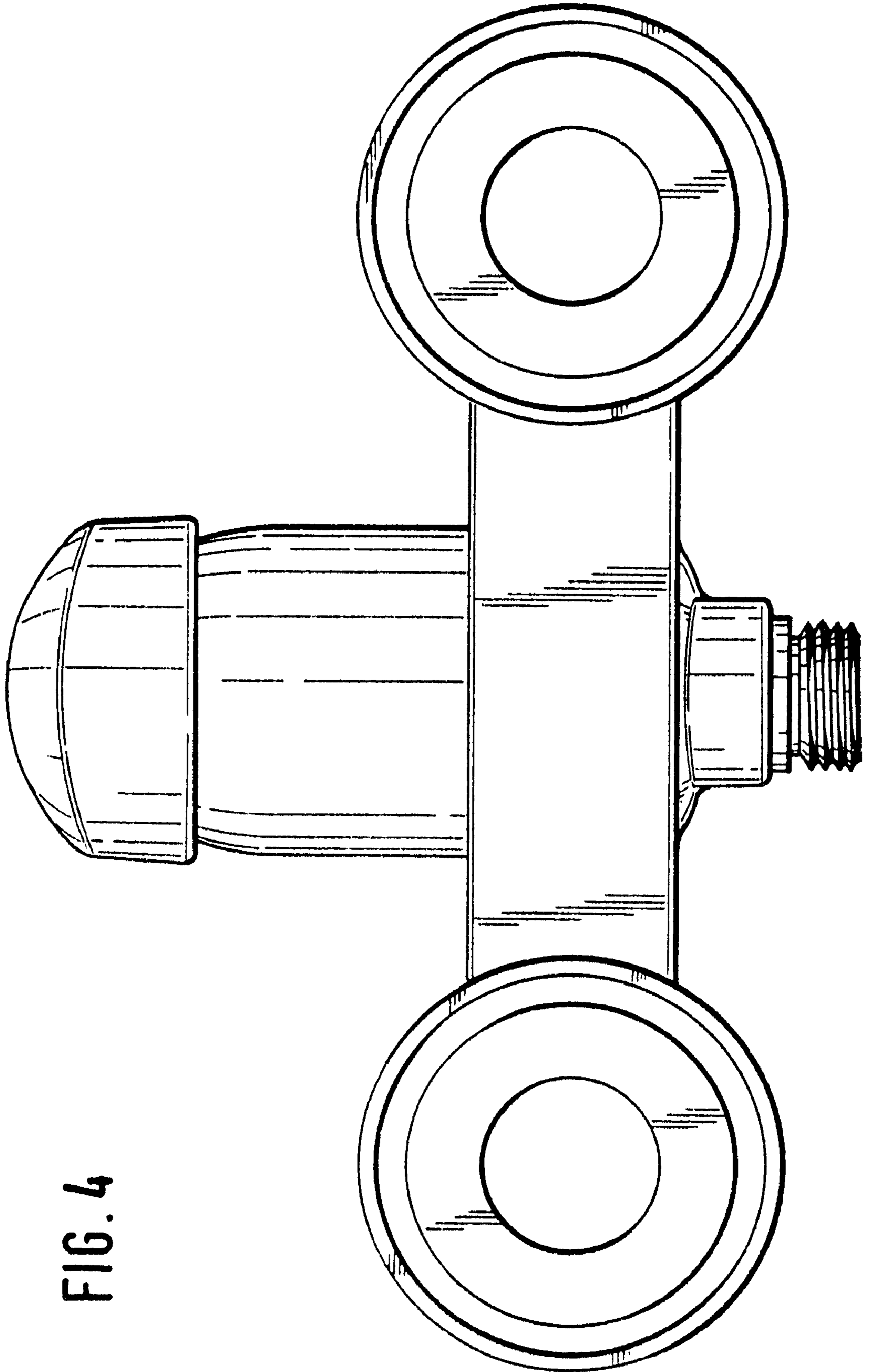


FIG. 4

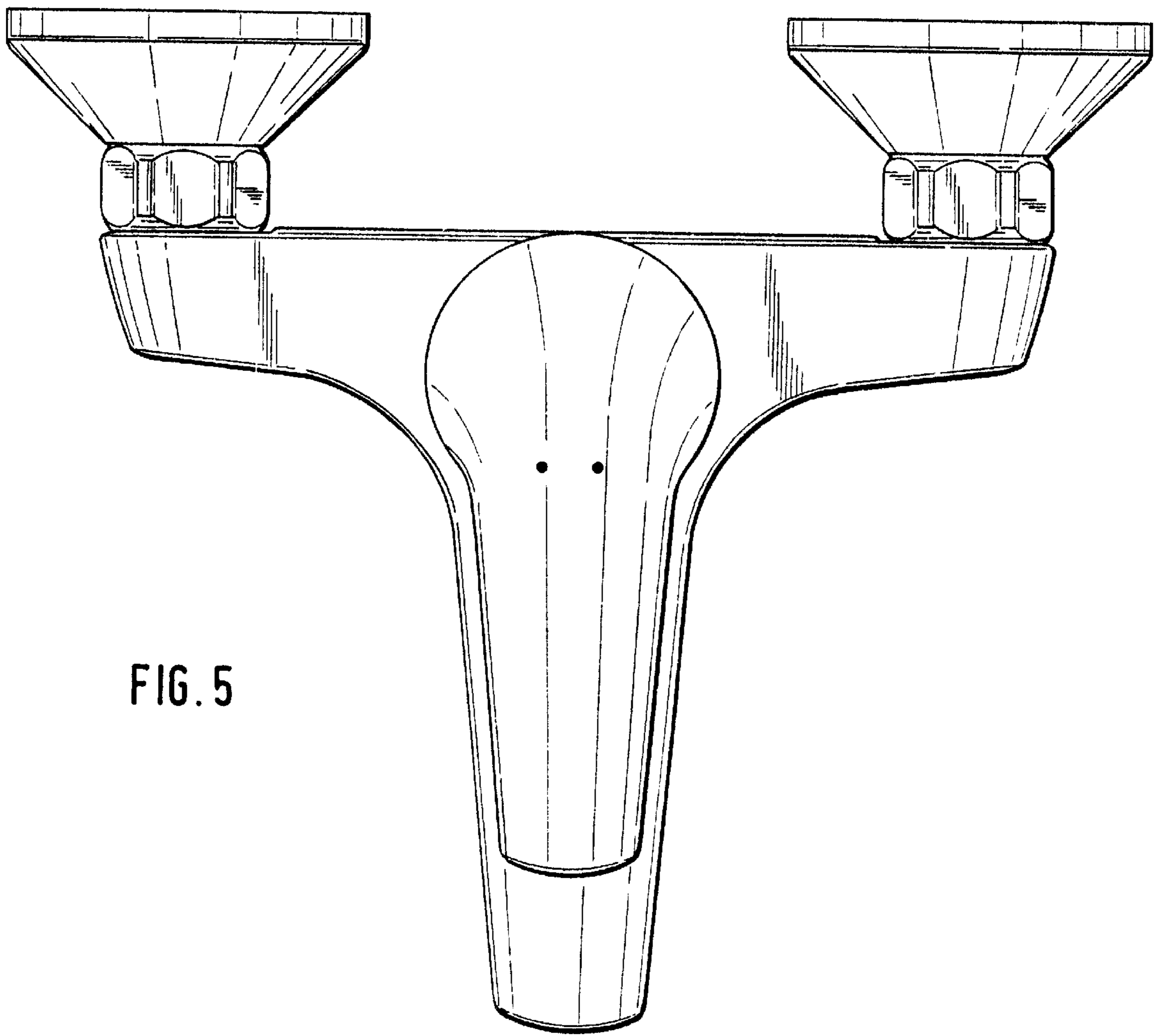


FIG. 5

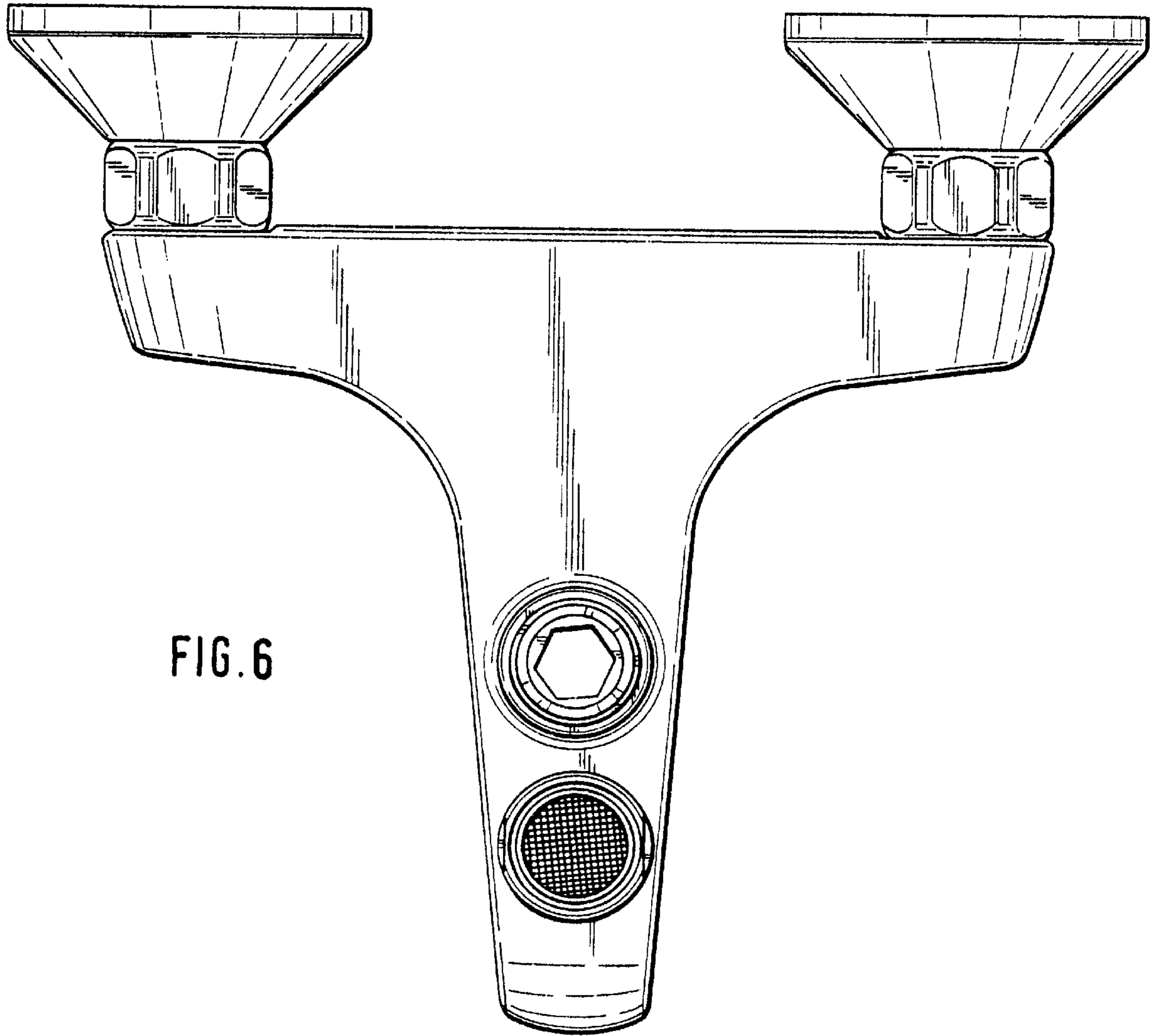


FIG. 6