



US00D410067S

United States Patent [19] Gottwald

[11] **Patent Number: Des. 410,067**

[45] **Date of Patent: ** May 18, 1999**

[54] **BIDET FAUCET**

D. 350,388 9/1994 Gottwald D23/238
D. 373,178 8/1996 Gottwald D23/238
D. 397,769 9/1998 Luberneier D23/238

[75] Inventor: **Adolf Gottwald**, Iserlohn, Germany

[73] Assignee: **Friedrich Grohe AG**, Hemer, Germany

[**] Term: **14 Years**

Primary Examiner—Louis S. Zarfes
Assistant Examiner—Eric Watterson
Attorney, Agent, or Firm—Herbert Dubno

[21] Appl. No.: **29/091,377**

[57] **CLAIM**

[22] Filed: **Jul. 29, 1998**

The ornamental design for a bidet faucet, as shown and described.

[30] **Foreign Application Priority Data**

Feb. 19, 1998 [DE] Germany M 98 01 732

DESCRIPTION

[51] **LOC (6) Cl.** **23-01**

FIG. 1 is a top, front, left-side perspective view of a bidet faucet showing my new design;

[52] **U.S. Cl.** **D23/238**

FIG. 2 is a top view thereof;

[58] **Field of Search** D23/238-243,
D23/250-257; D8/300-308; 4/675-678;
137/801

FIG. 3 is a left side elevational view thereof, the right side elevational view being mirror symmetrical thereto;

FIG. 4 is a bottom view thereof;

FIG. 5 is a front view thereof; and,

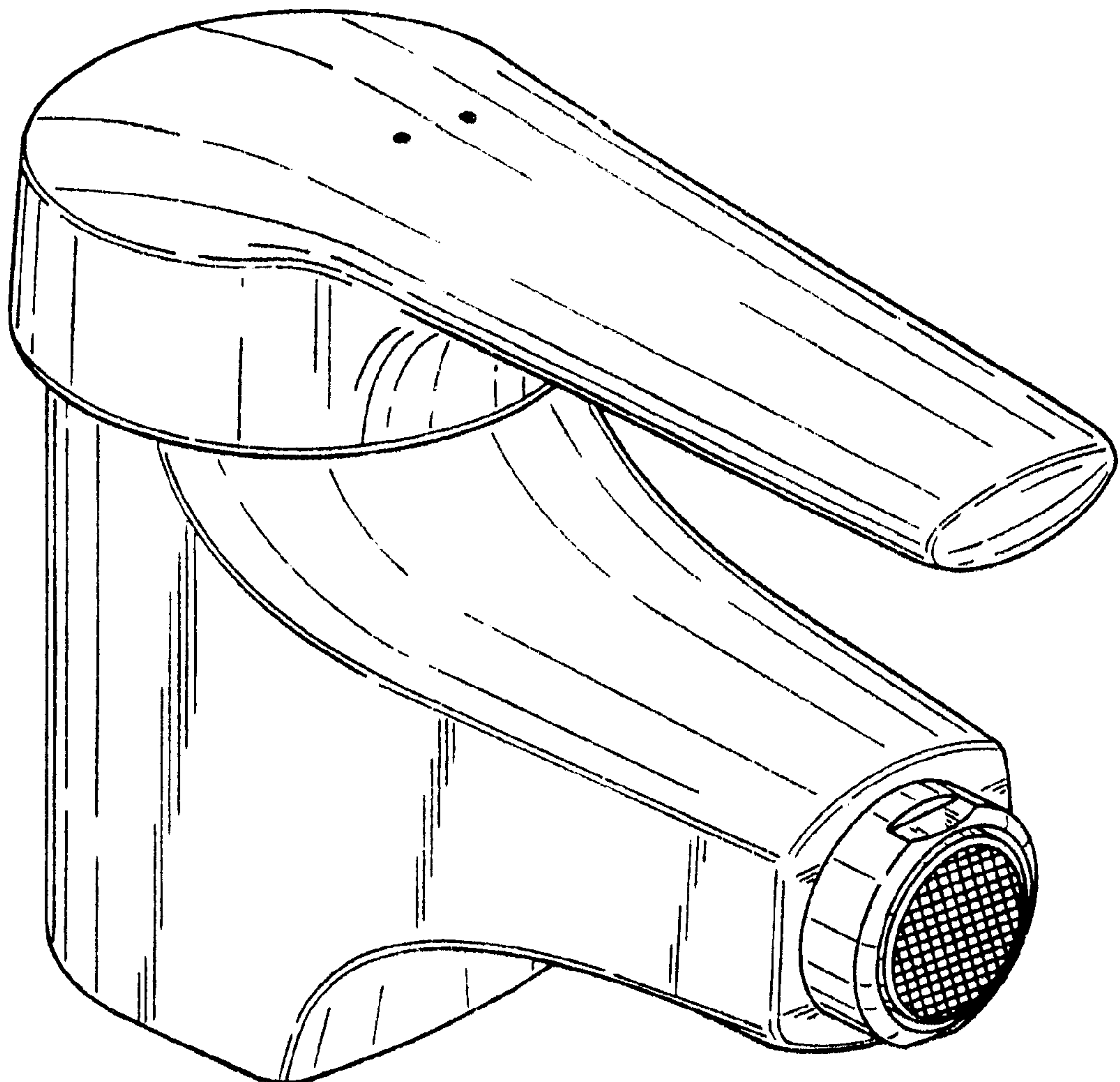
FIG. 6 is a rear view thereof.

[56] **References Cited**

U.S. PATENT DOCUMENTS

D. 213,268 1/1969 Gnauert et al. 4/677 X

1 Claim, 3 Drawing Sheets



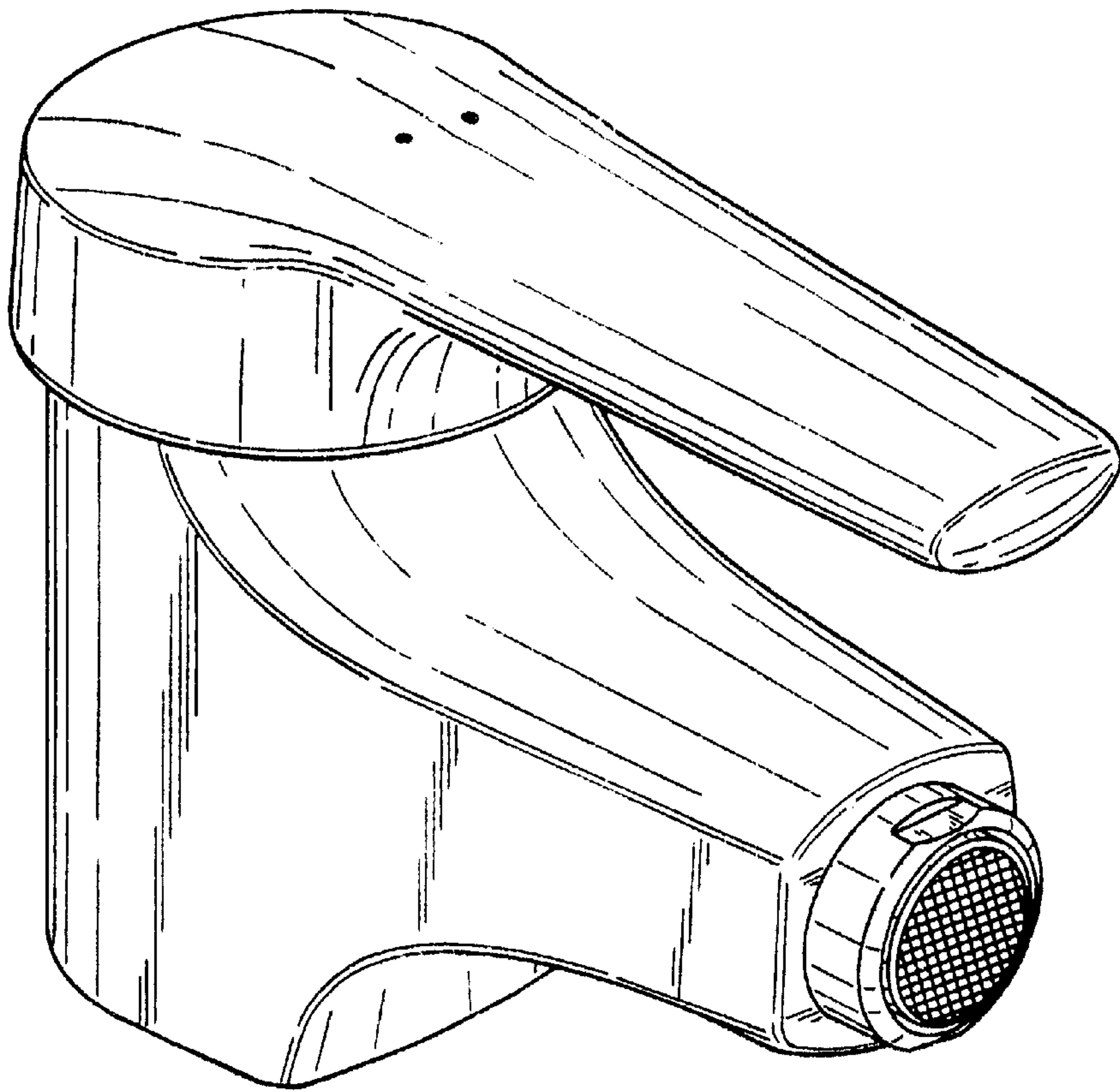
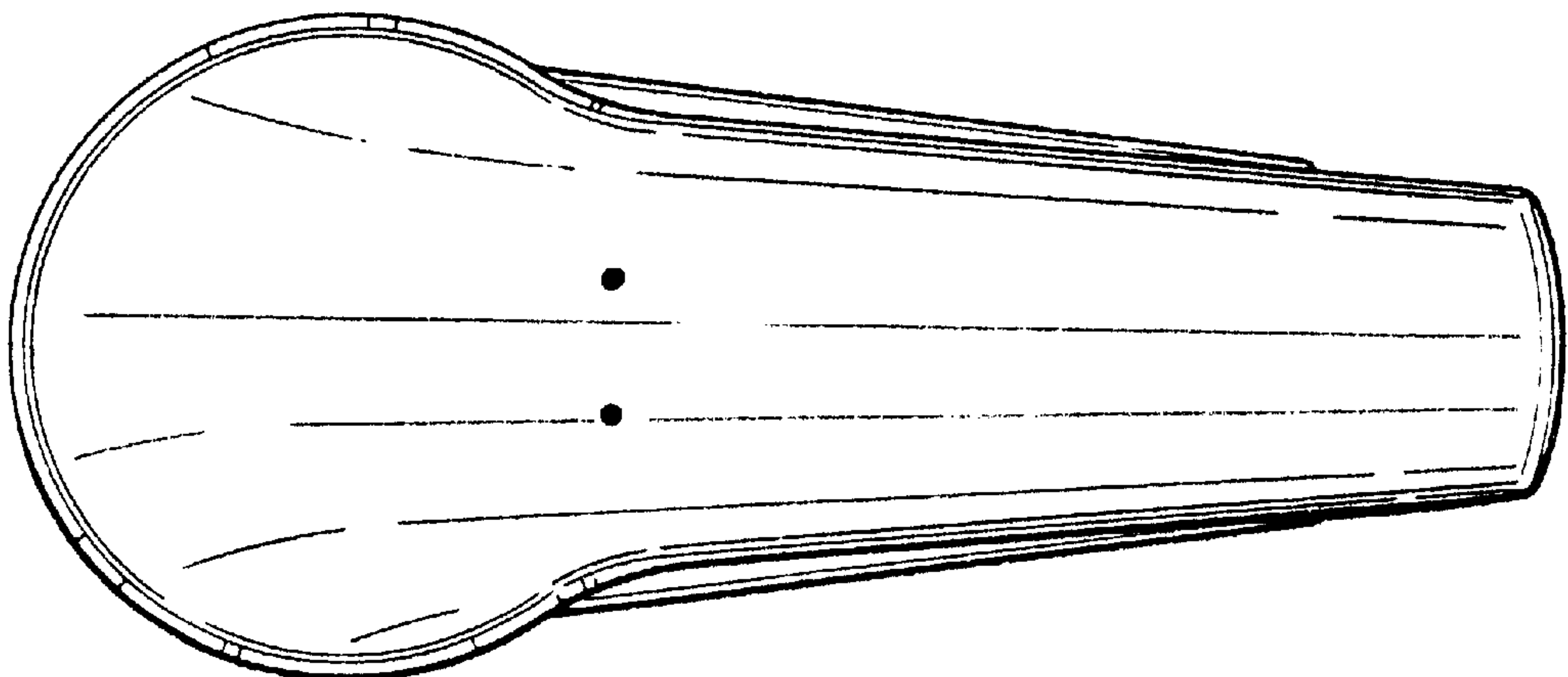


FIG. 1

FIG. 2



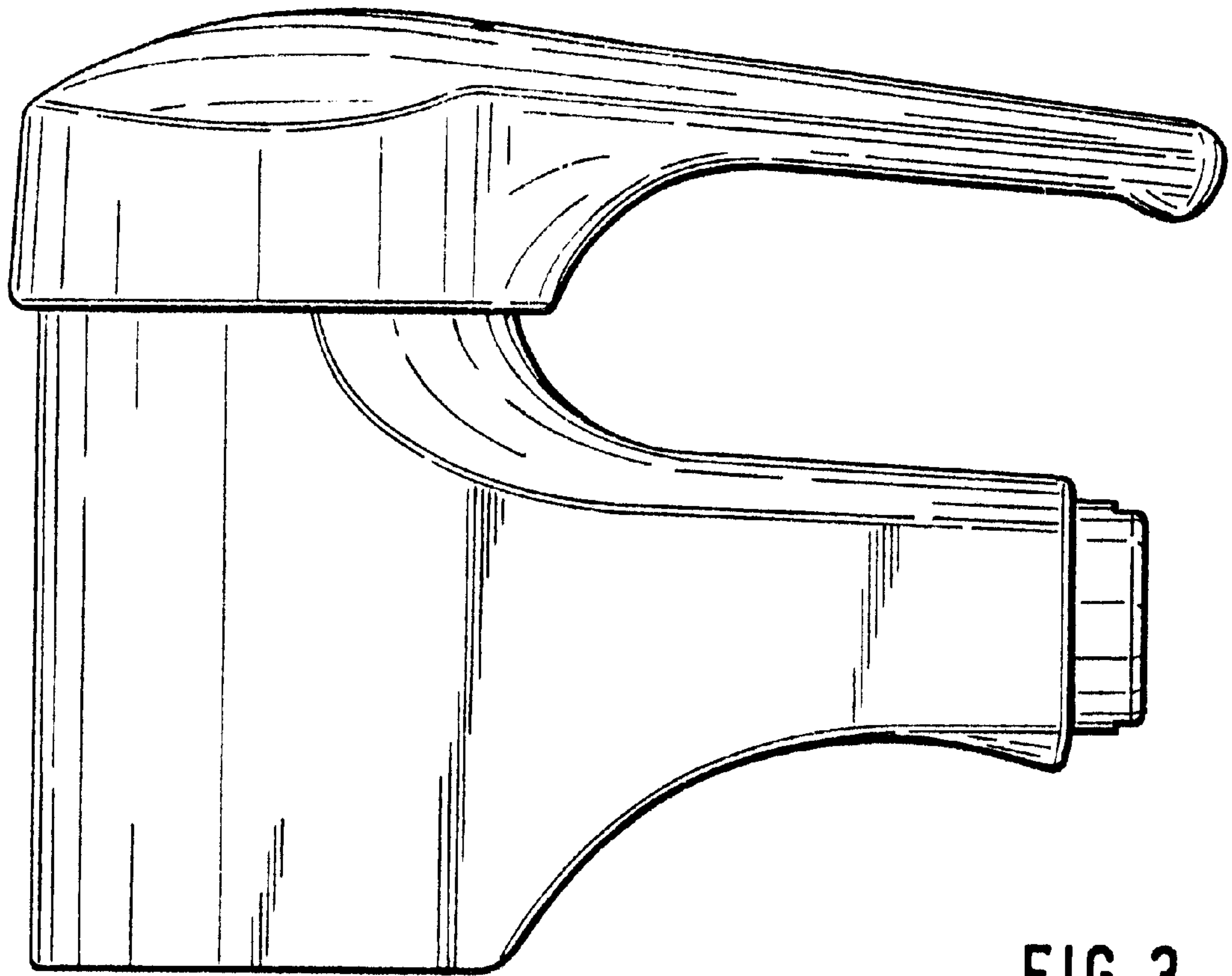


FIG. 3

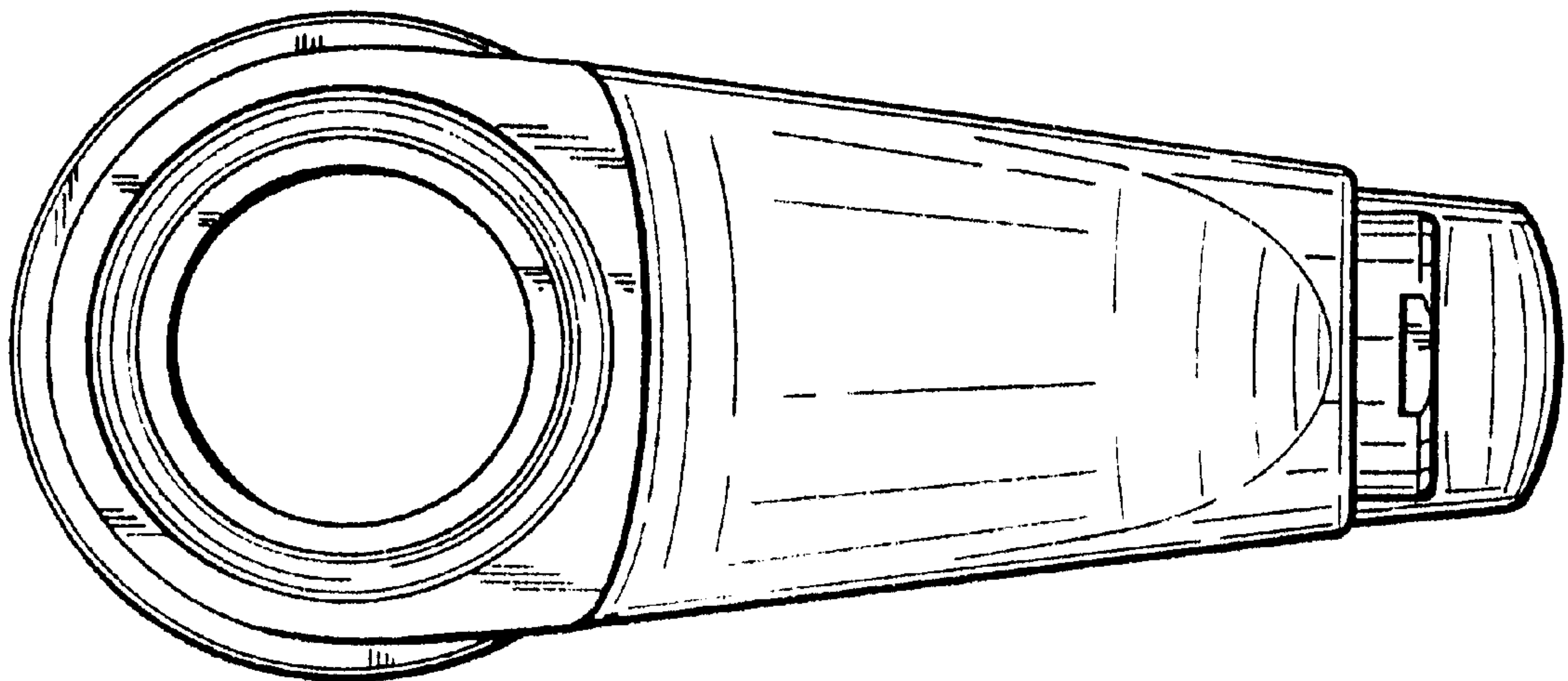


FIG. 4

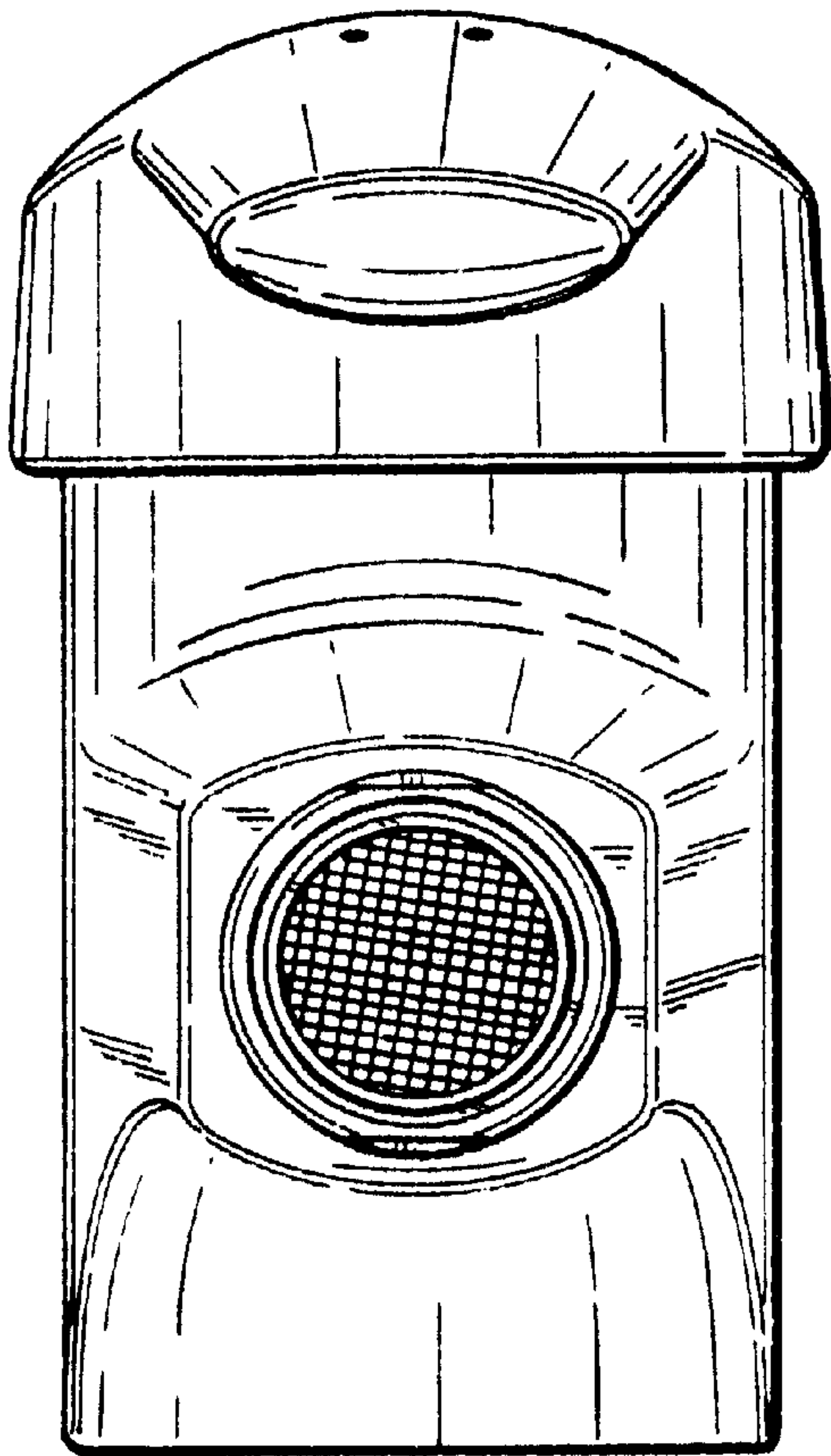


FIG. 5

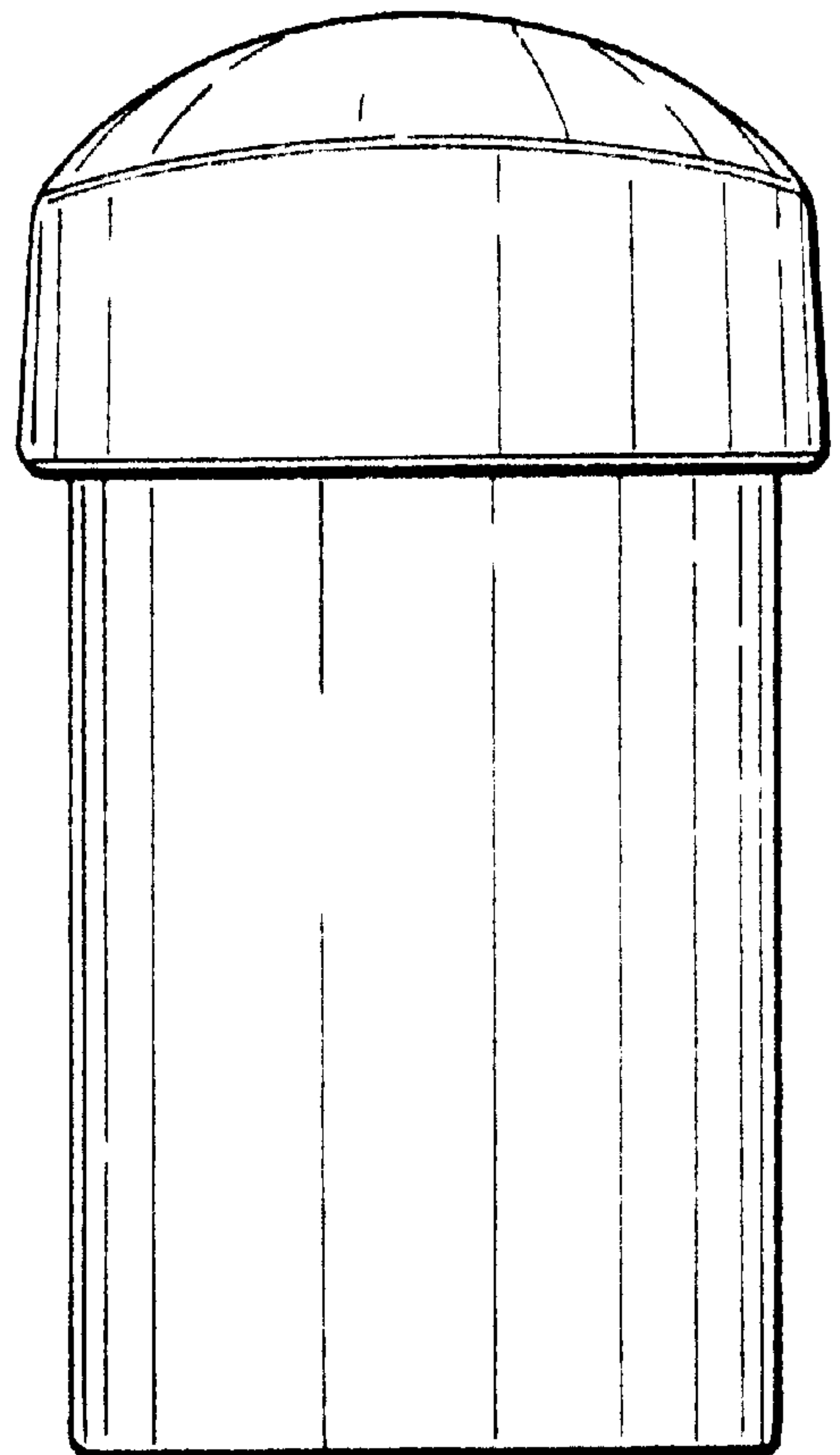


FIG. 6