



US00D410064S

# United States Patent [19]

Hunter et al.

[11] **Patent Number: Des. 410,064**

[45] **Date of Patent: \*\* May 18, 1999**

[54] **FILTRATION CARTRIDGE**

[75] Inventors: **Brian D. Hunter**, Nederland; **Jeffrey K. Aldred**, Boulder; **Kraig J. Koski**, Longmont; **Ralph Burns**, Boulder, all of Colo.

[73] Assignee: **American Standard, Inc.**, Piscataway, N.J.

[\*\*] Term: **14 Years**

[21] Appl. No.: **29/087,740**

[22] Filed: **May 8, 1998**

[51] **LOC (6) Cl.** ..... **23-01**

[52] **U.S. Cl.** ..... **D23/209**

[58] **Field of Search** ..... D23/200, 207, D23/209, 210; 210/233, 460, 461

[56] **References Cited**

**U.S. PATENT DOCUMENTS**

D. 280,757 9/1985 Paulovich et al. .... D23/209

D. 372,079 7/1996 Fago et al. .... D23/209  
5,296,152 3/1994 Frykhult ..... 210/331  
5,667,680 9/1997 Haeffner ..... 210/331

*Primary Examiner*—Alan P. Douglas  
*Assistant Examiner*—Robin V. Taylor  
*Attorney, Agent, or Firm*—Duft, Graziano and Forest, PC

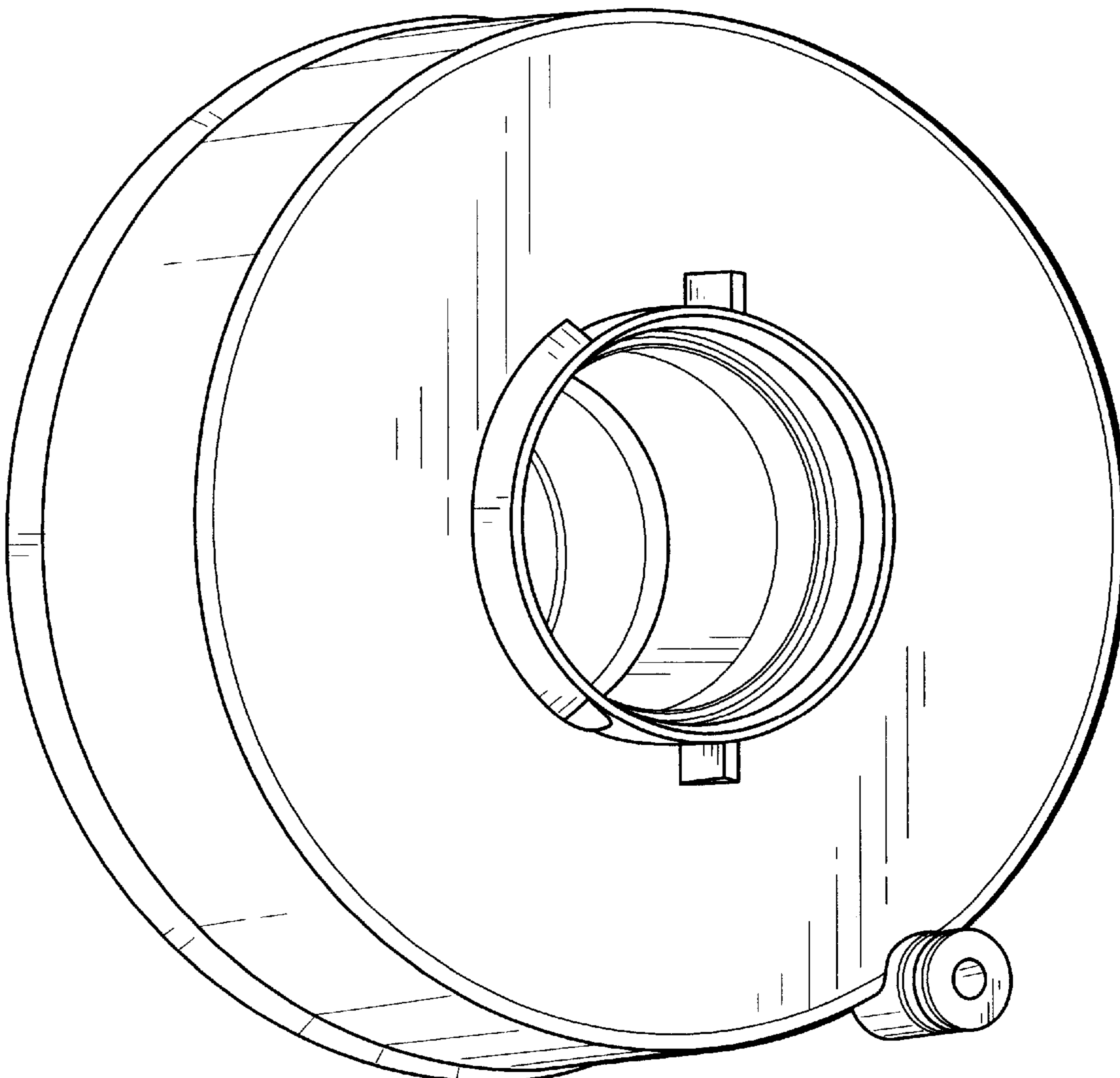
[57] **CLAIM**

The ornamental design for a filtration cartridge, as shown and described.

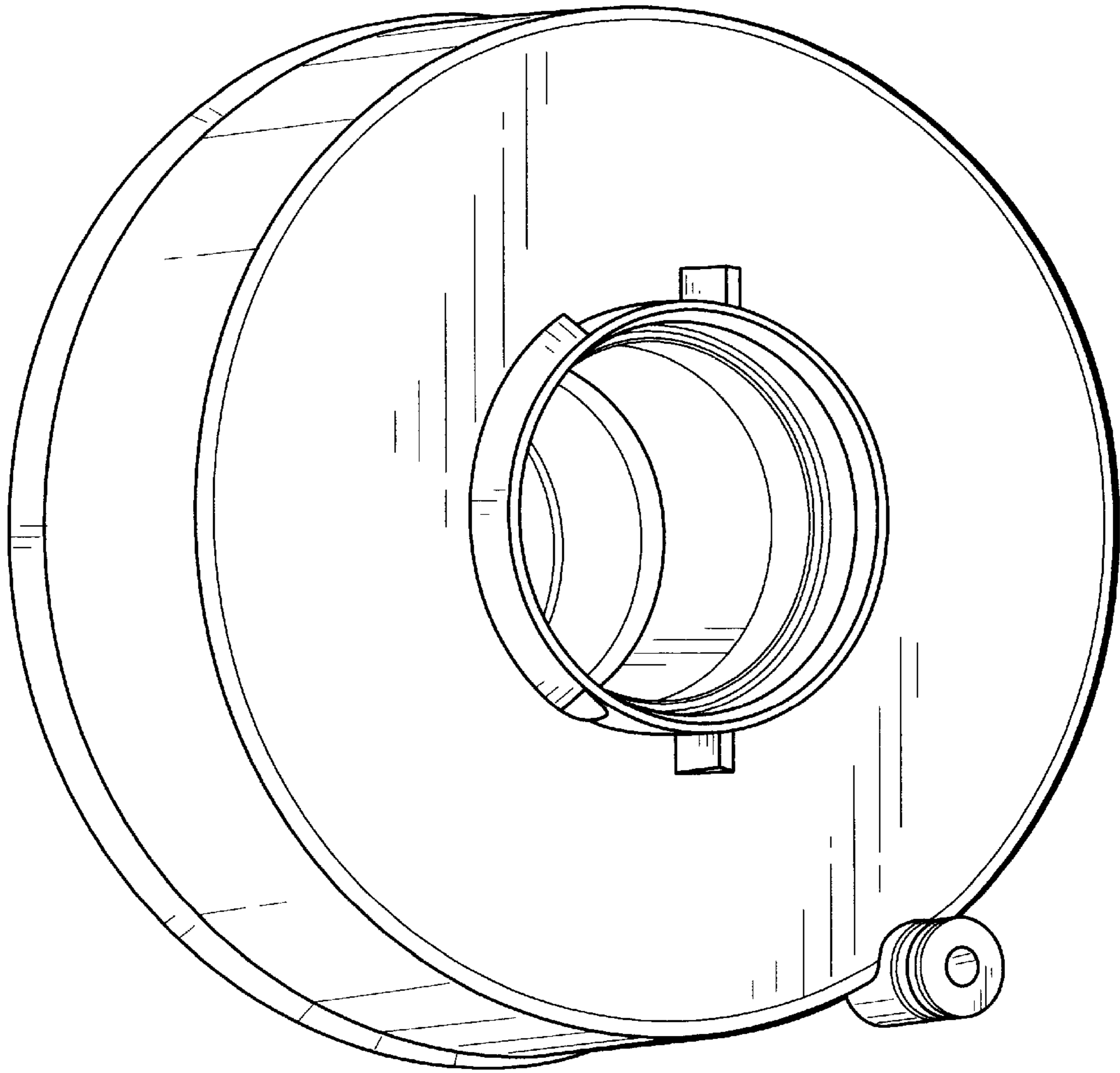
**DESCRIPTION**

FIG. 1 is a front left perspective side view;  
FIG. 2 is a front elevational view;  
FIG. 3 is a rear elevational view;  
FIG. 4 is a right side elevational view;  
FIG. 5 is a left side elevational view;  
FIG. 6 is a bottom plan view; and,  
FIG. 7 is a top plan view.

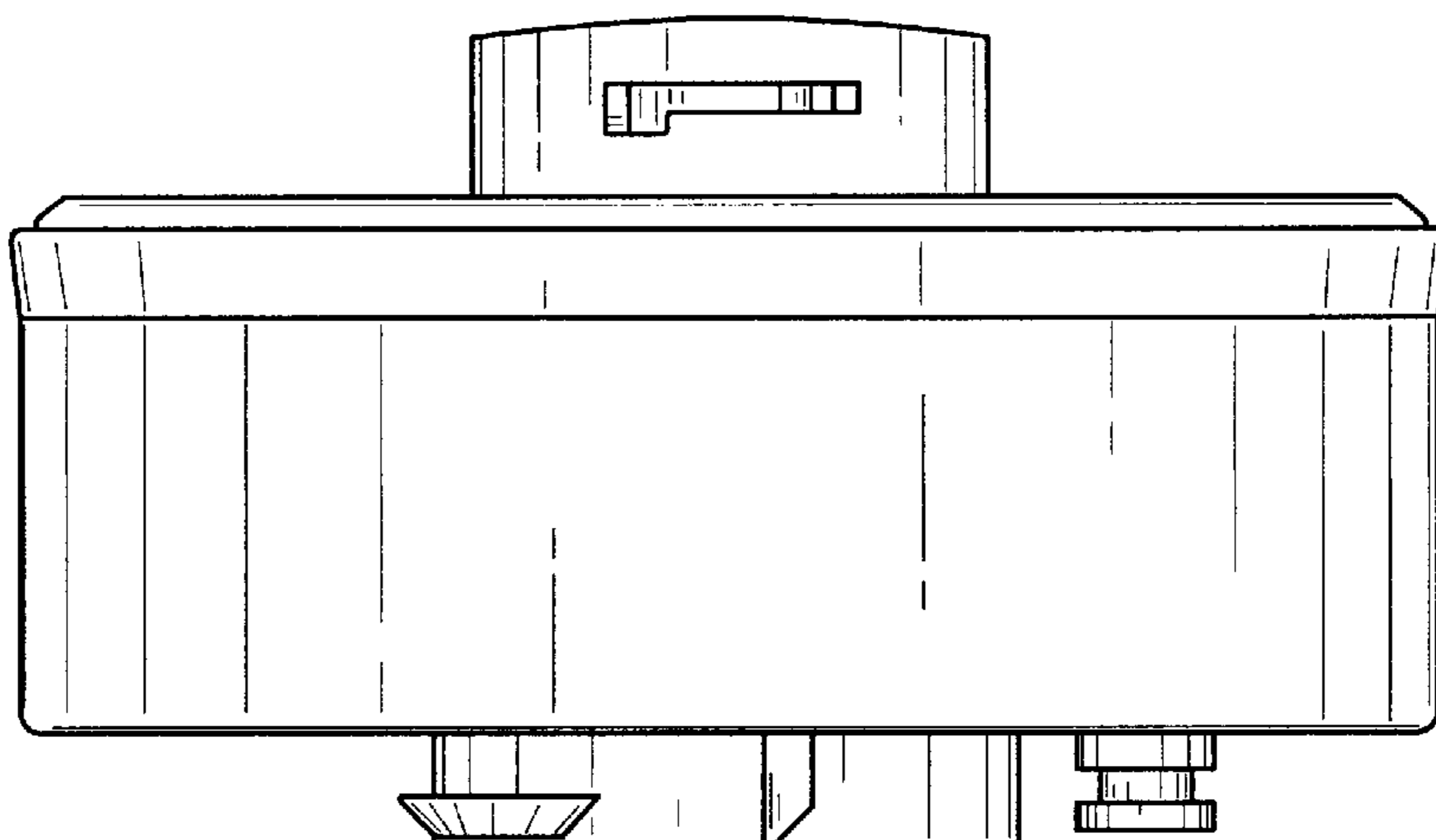
**1 Claim, 3 Drawing Sheets**



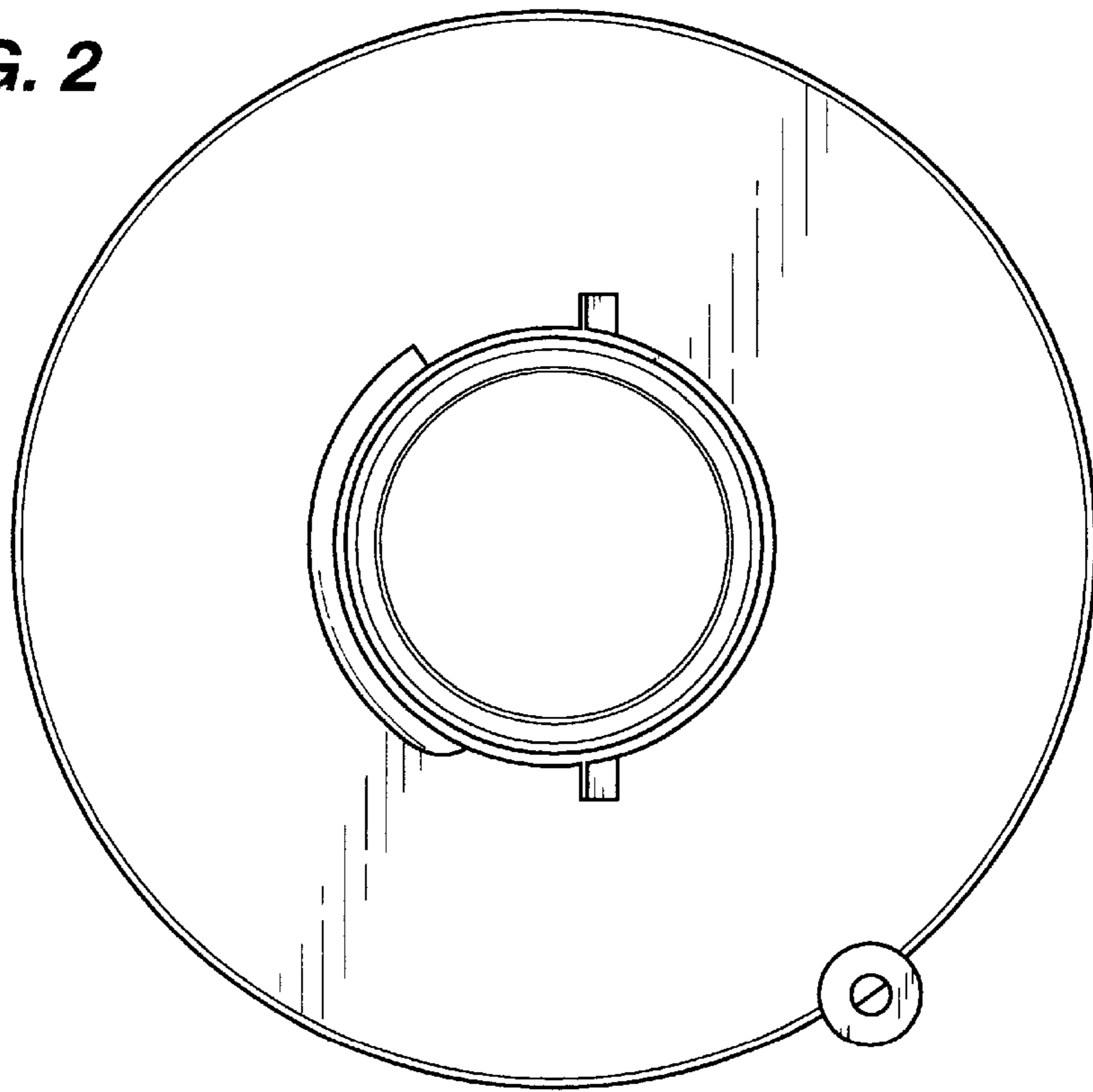
**FIG. 1**



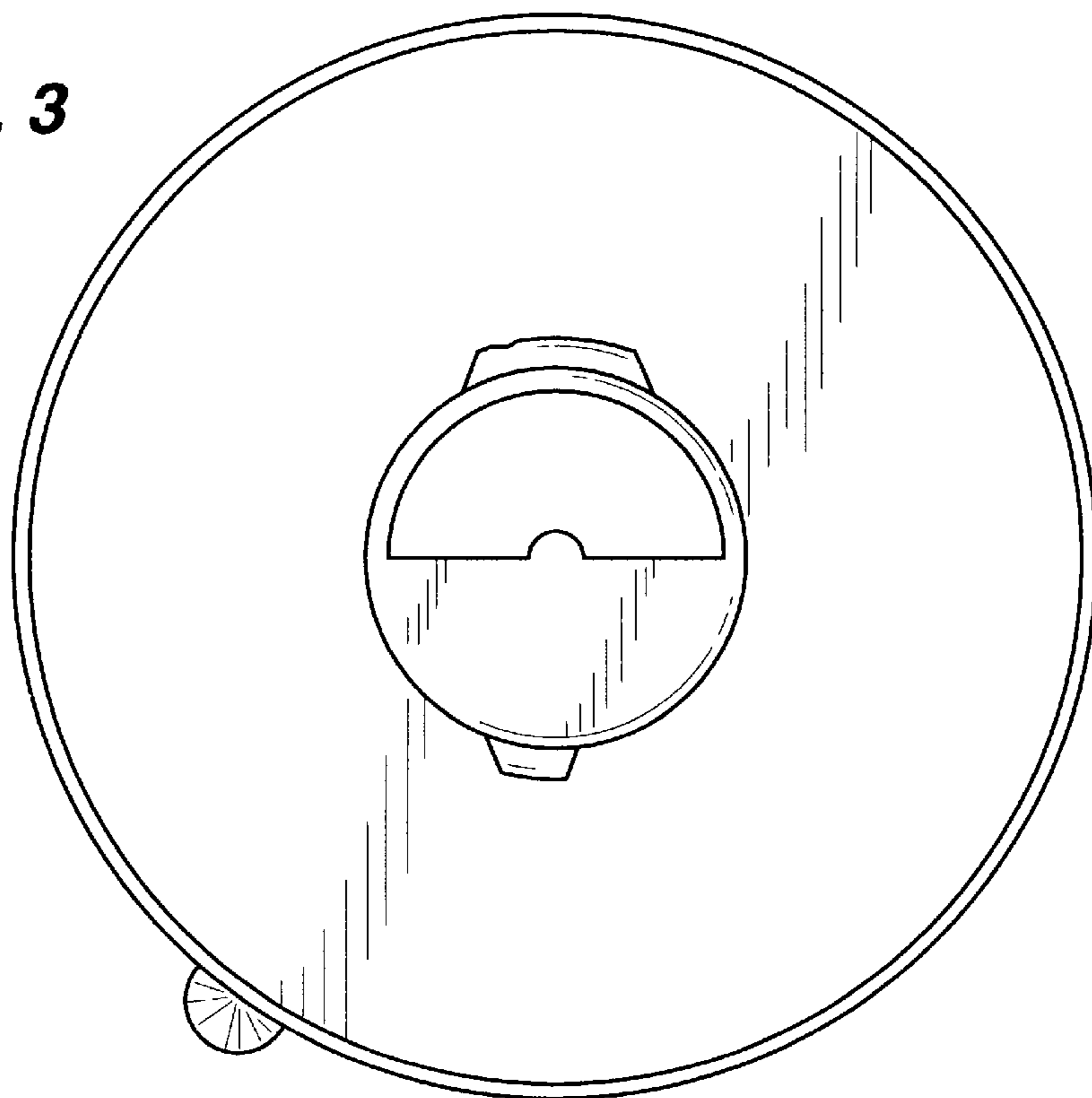
**FIG. 7**



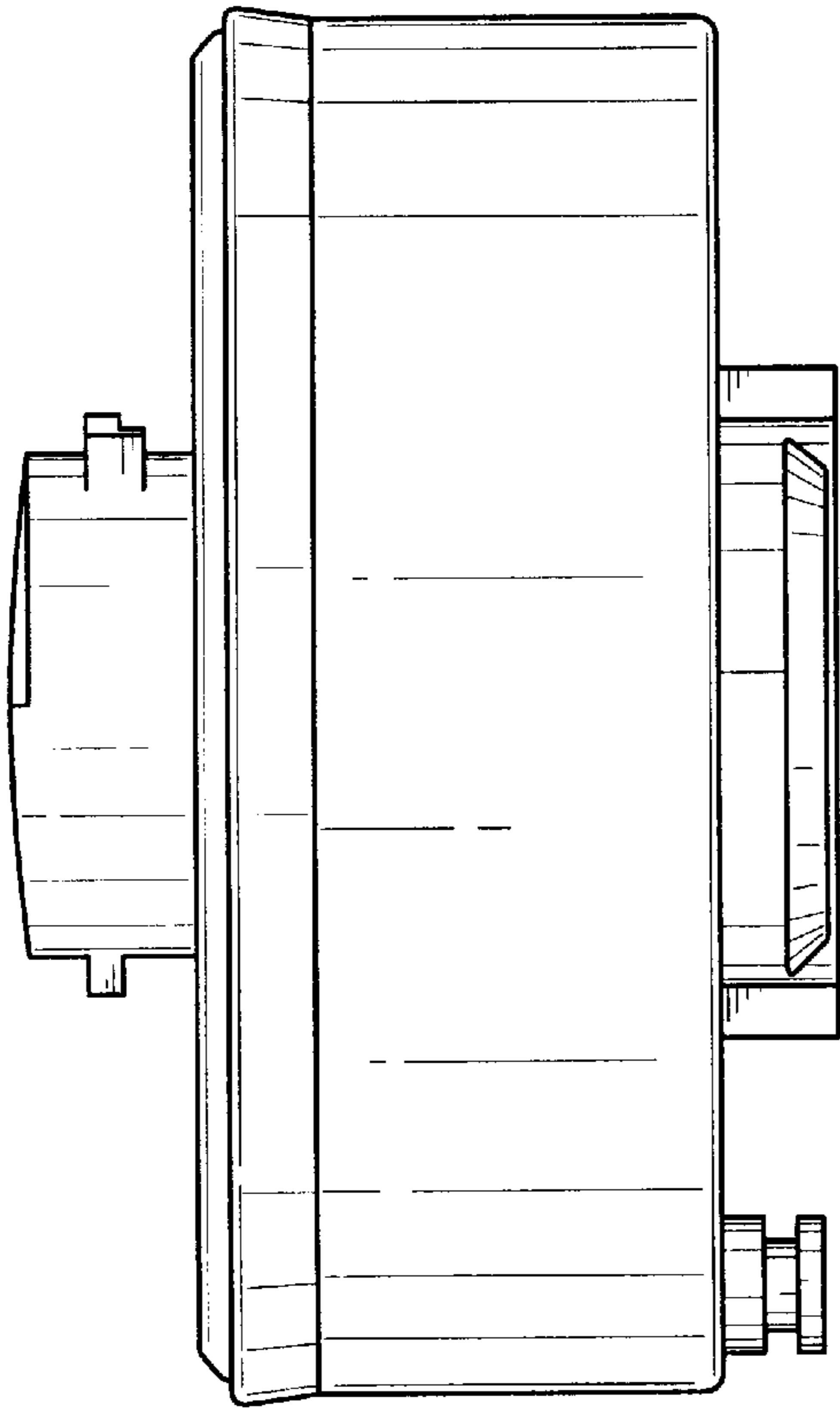
**FIG. 2**



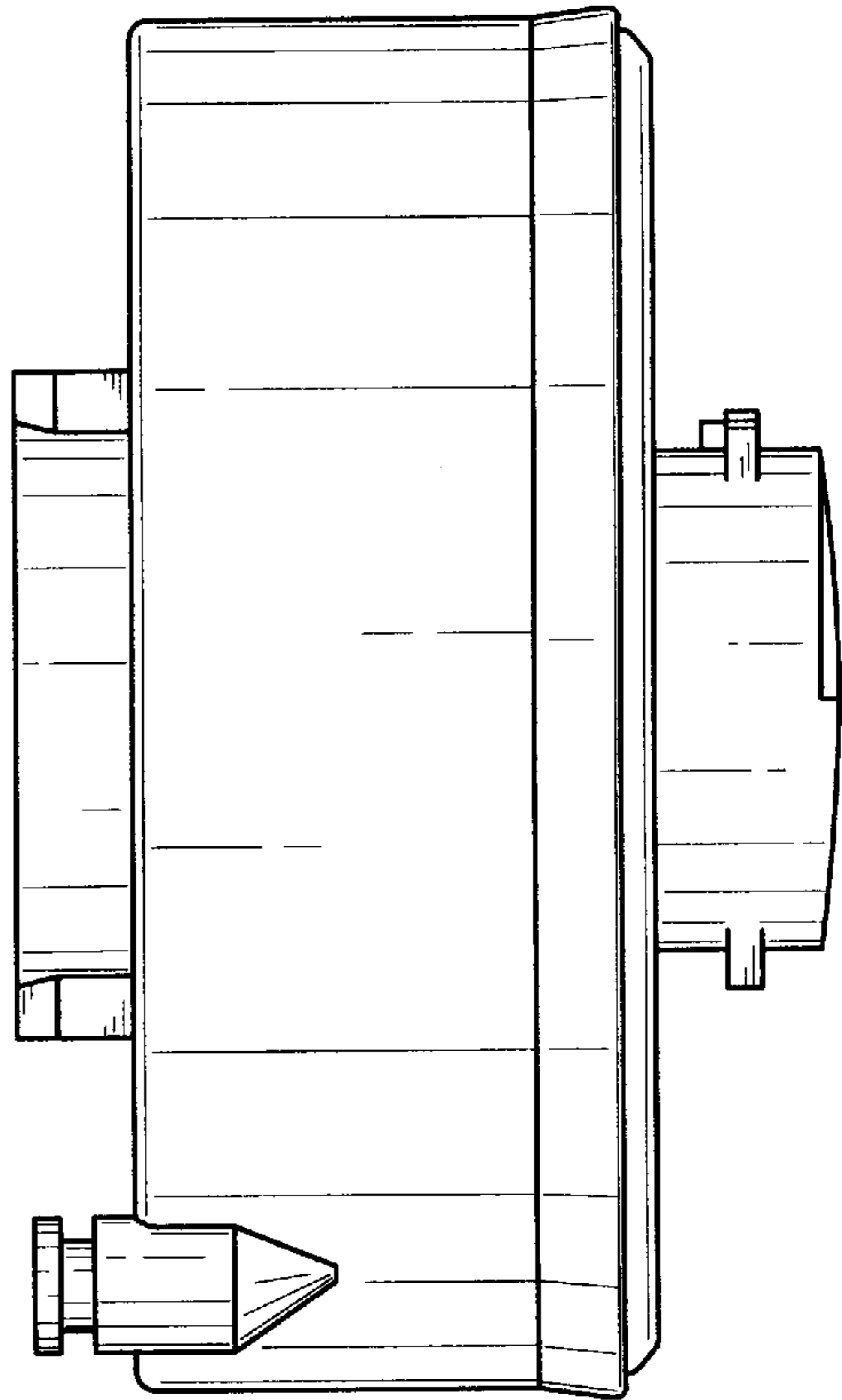
**FIG. 3**



**FIG. 4**



**FIG. 5**



**FIG. 6**

