



US00D410058S

# United States Patent [19] Friend

[11] **Patent Number: Des. 410,058**

[45] **Date of Patent: \*\* May 18, 1999**

[54] **REMOVABLE SKATEBOARD HANDLE POST WITH ADJUSTABLE FOLD-OUT SEAT**

3,309,104 3/1967 Gold ..... 280/87.041  
4,179,134 12/1979 Atkinson ..... 280/87.042  
4,342,466 8/1982 Morgan ..... 280/87.042

[76] Inventor: **John H. Friend**, 10200 Arno Rd., Galt, Calif. 95632

*Primary Examiner*—Sandra L. Morris  
*Attorney, Agent, or Firm*—Basil Travis

[\*\*] Term: **14 Years**

### [57] CLAIM

[21] Appl. No.: **29/092,809**

The ornamental design for a removable skateboard handle post with adjustable fold-out seat, as shown and described.

[22] Filed: **Aug. 27, 1998**

### DESCRIPTION

[51] **LOC (6) Cl.** ..... **21-02**

[52] **U.S. Cl.** ..... **D21/771; D21/423**

[58] **Field of Search** ..... D21/760, 763, D21/765, 423; D12/110; 280/11.19, 11.2, 11.22, 87.021, 87.041, 87.042, 87.043

FIG. 1 is a rear, top and side perspective view of a removable skateboard handle post with adjustable fold-out seat showing my new design, the broken lines illustrating a skateboard are for illustrative purposes and form no part of the claim; FIG. 2 is a top plan view;

FIG. 3 is a rear elevational view;

FIG. 4 is a right side elevational view, the opposite side being a mirror image thereof;

FIG. 5 is a front elevational view; and,

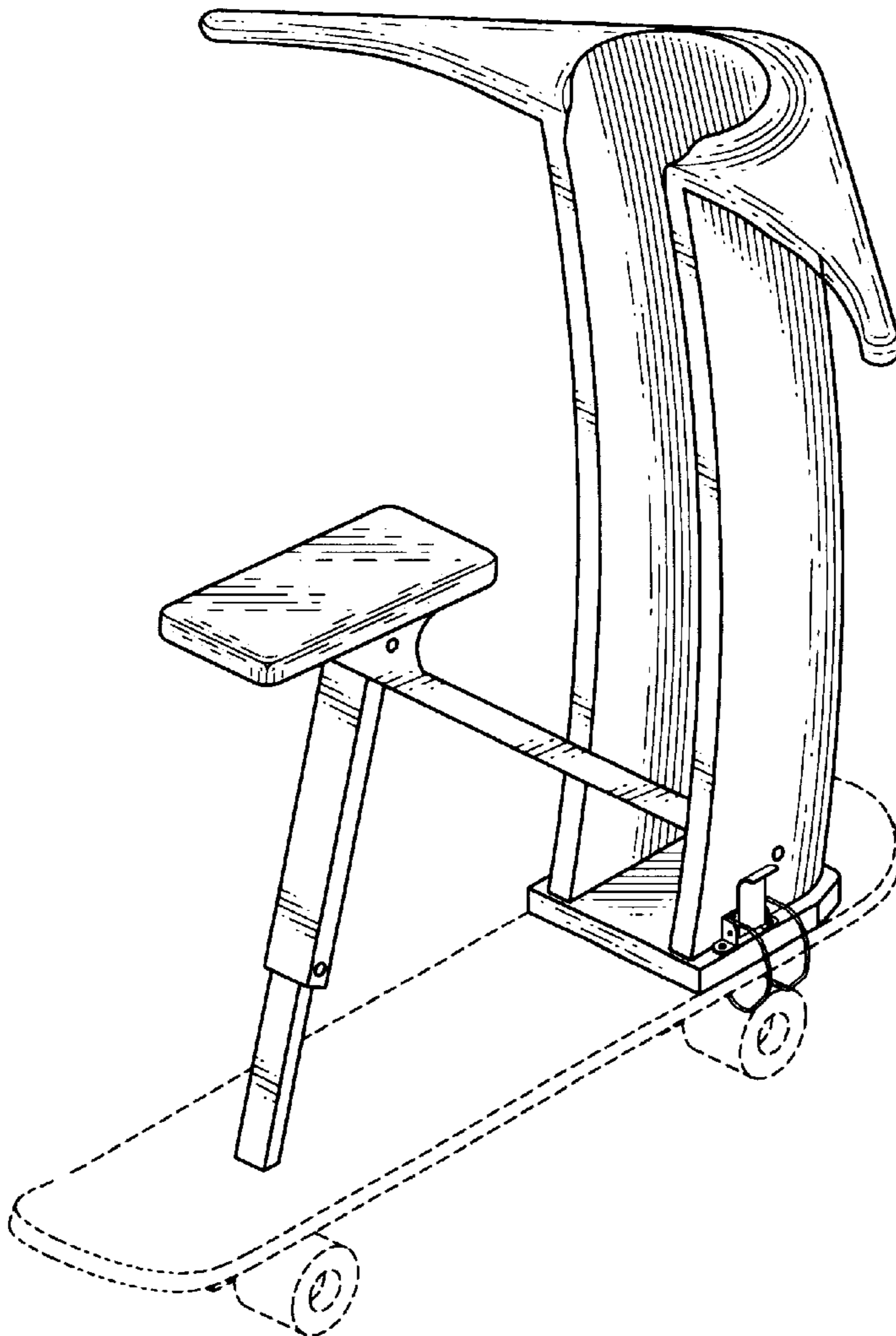
FIG. 6 is a bottom plan view.

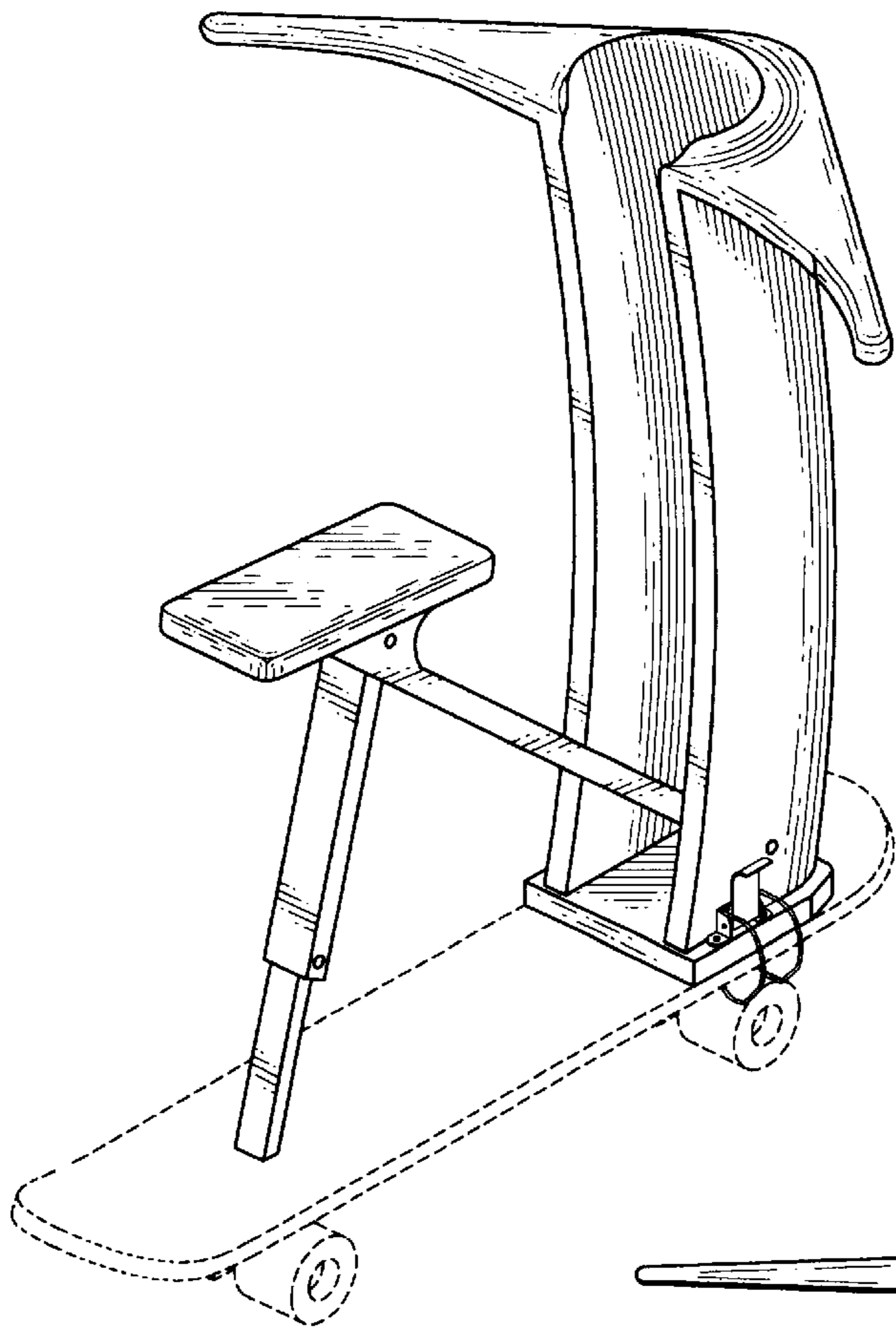
### [56] References Cited

#### U.S. PATENT DOCUMENTS

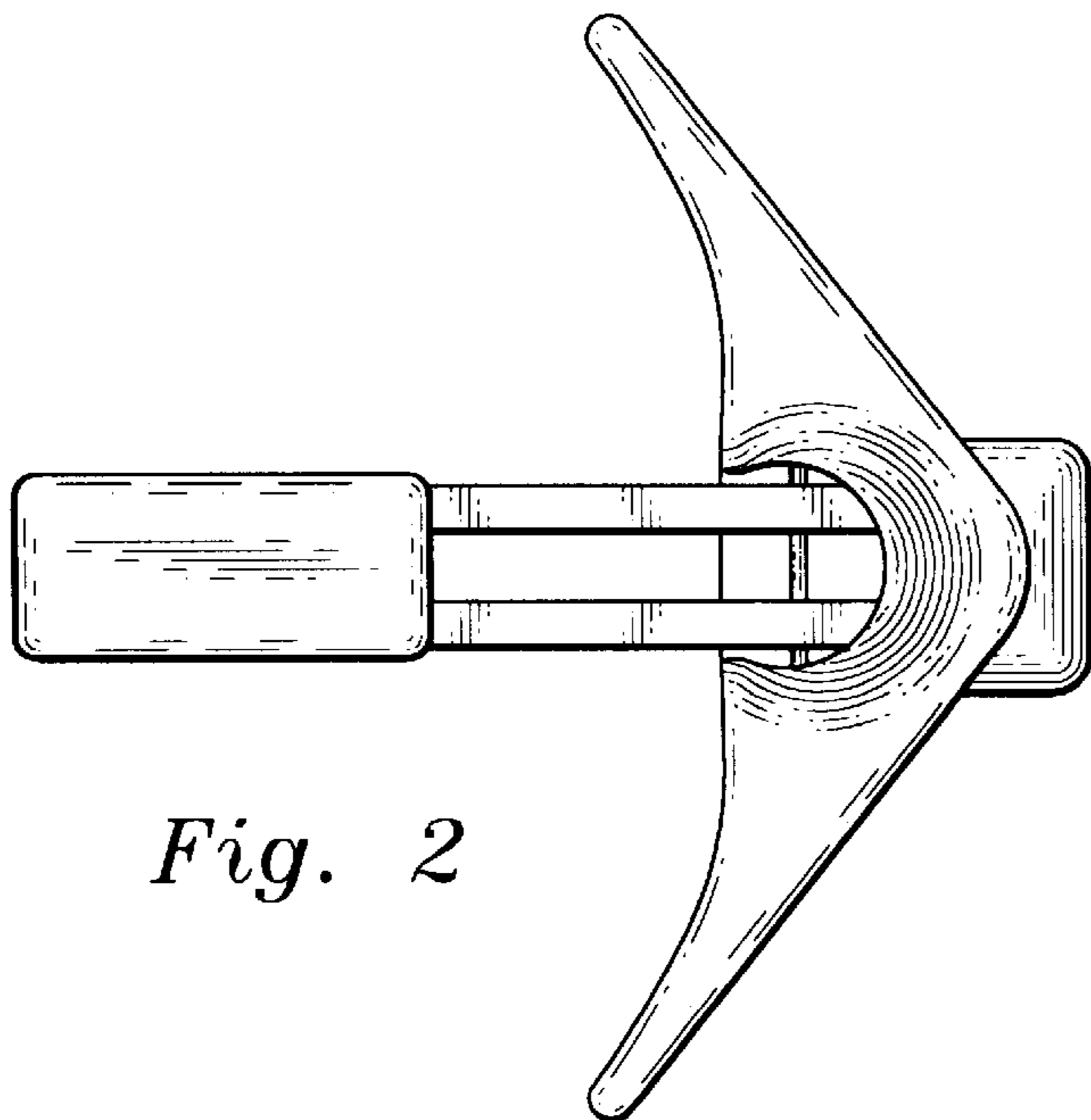
D. 149,730 5/1948 Bancroft ..... D21/423  
D. 223,943 6/1972 Soper ..... D21/423  
D. 253,062 10/1979 Kupka ..... D21/423  
D. 273,963 5/1984 Mayers ..... D21/423  
D. 295,991 5/1988 Hanna et al. .... D21/423

**1 Claim, 2 Drawing Sheets**

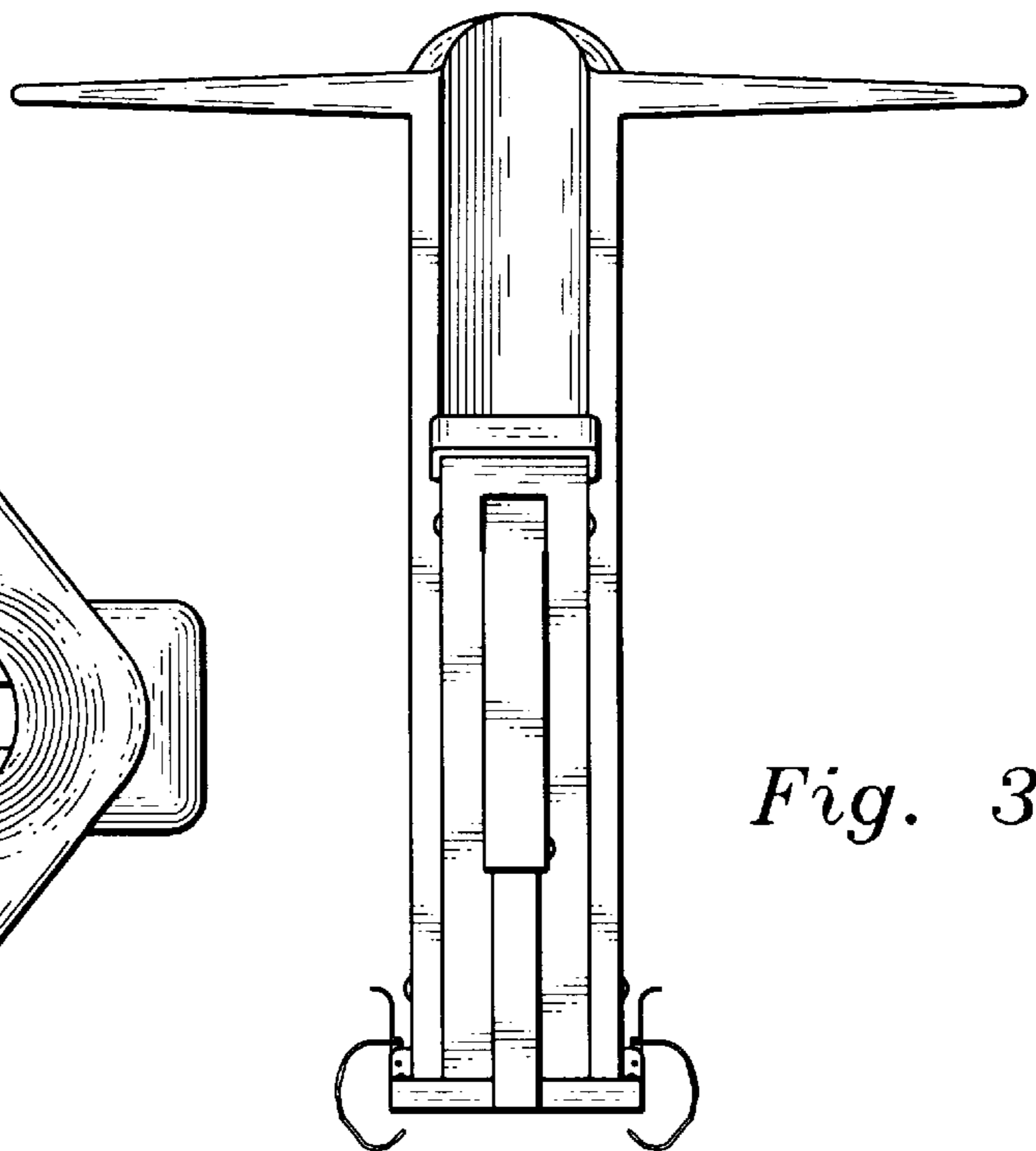




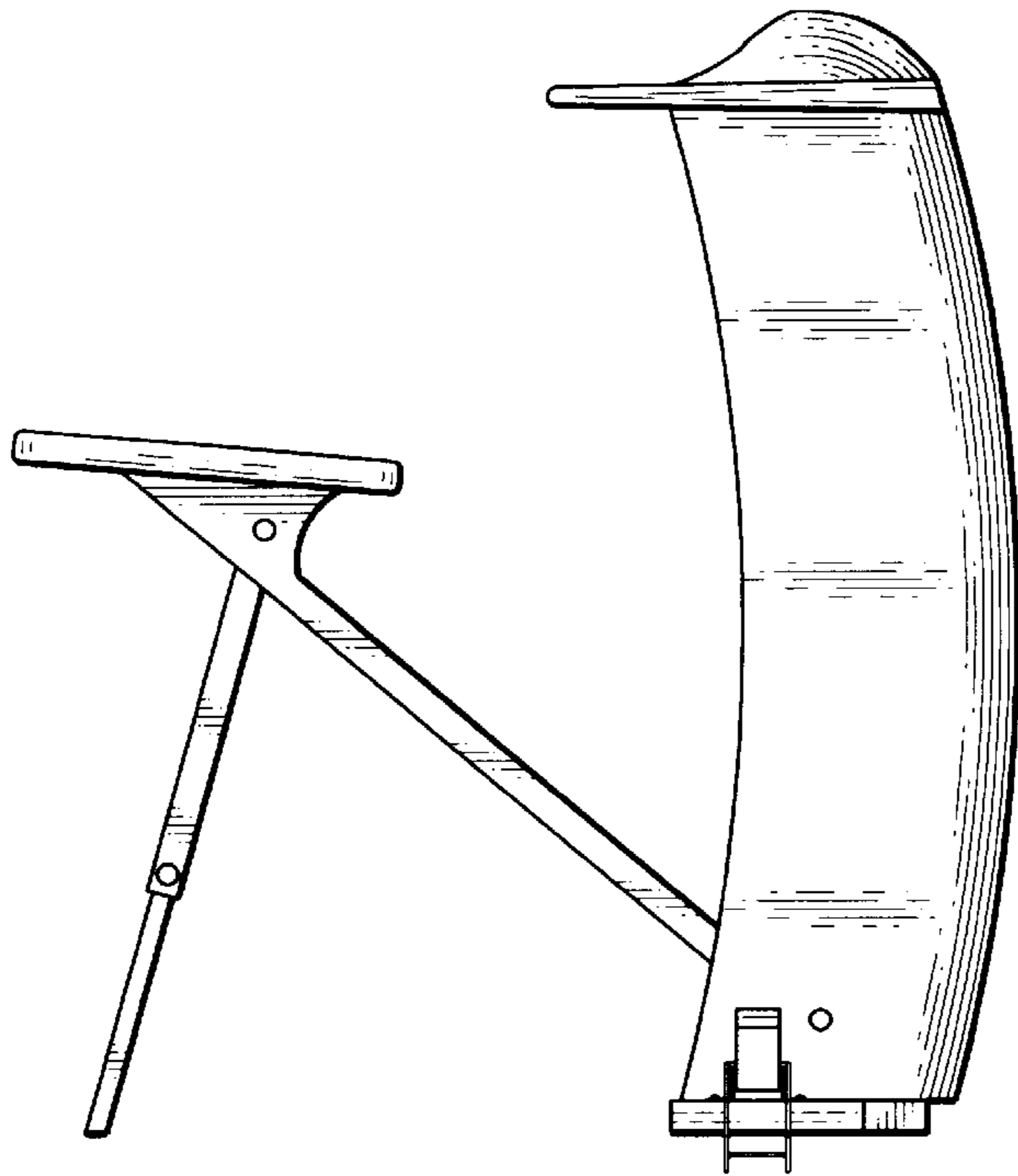
*Fig. 1*



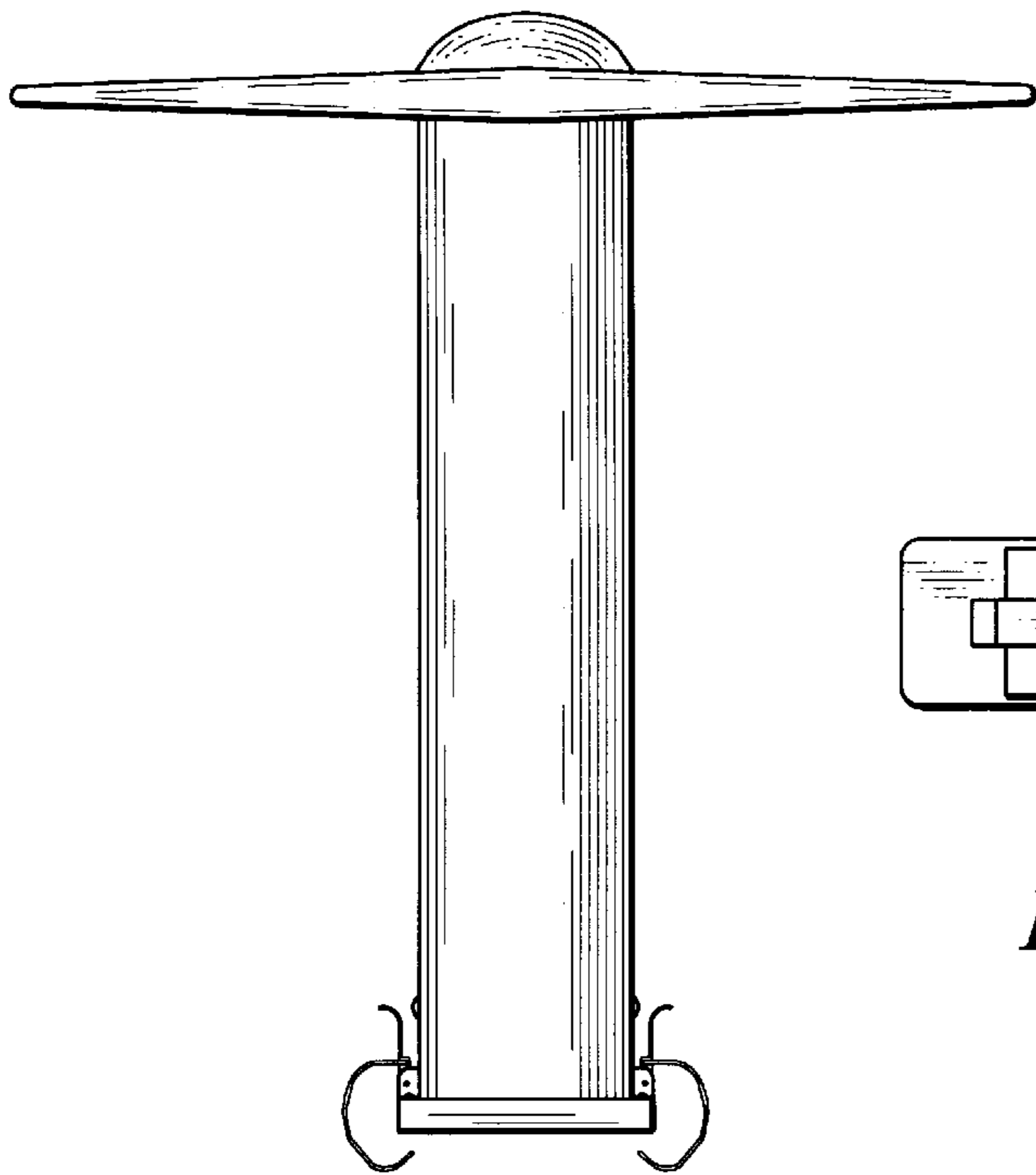
*Fig. 2*



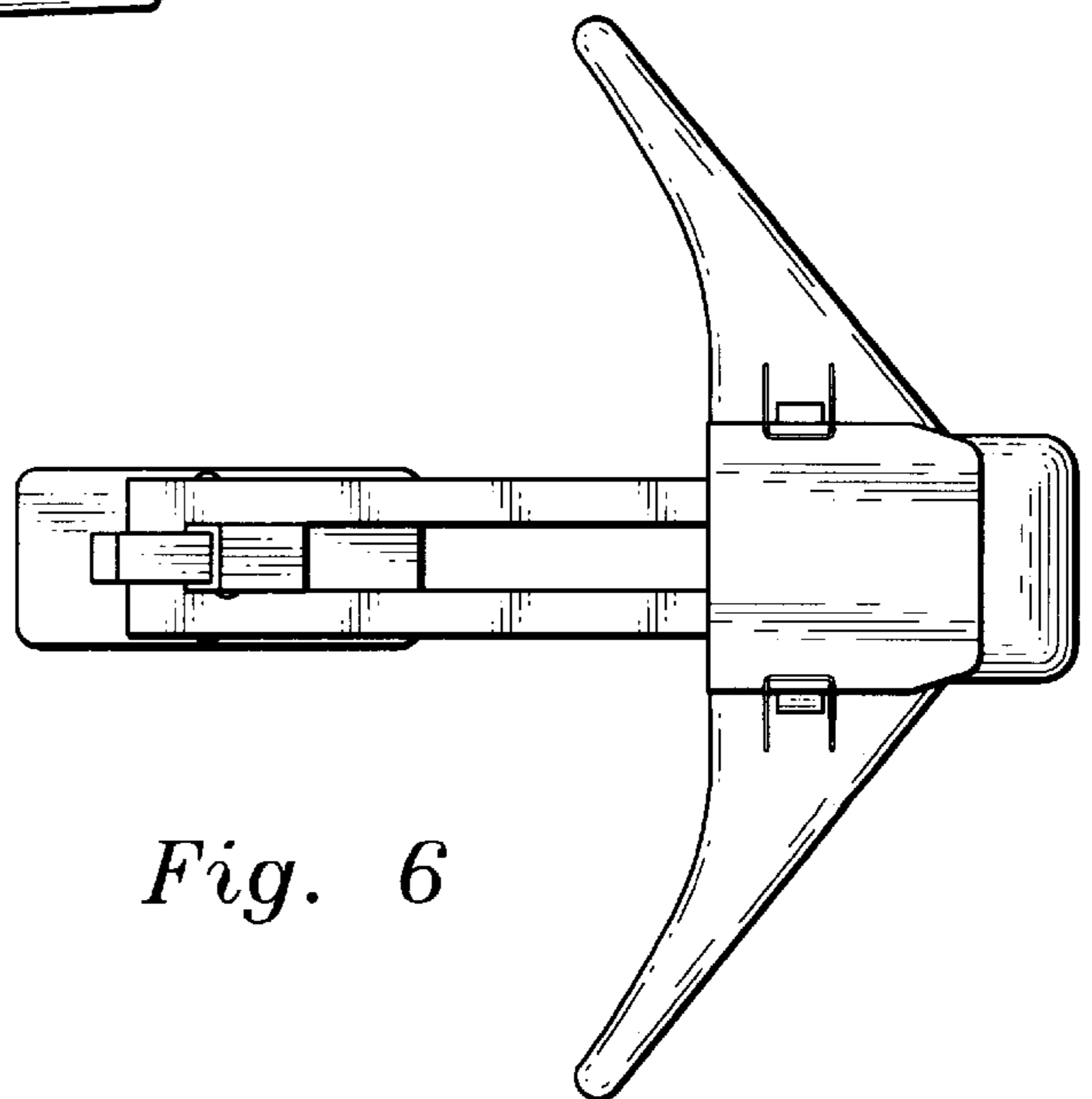
*Fig. 3*



*Fig. 4*



*Fig. 5*



*Fig. 6*