



US00D410055S

United States Patent [19] Loop

[11] **Patent Number: Des. 410,055**

[45] **Date of Patent: ** May 18, 1999**

[54] **GOLF PUTTER HEAD**

[76] Inventor: **Von Walker Loop**, 2410 N. Aztec Pl.,
Chino Valley, Ariz. 86323

[**] Term: **14 Years**

[21] Appl. No.: **29/093,403**

[22] Filed: **Sep. 10, 1998**

[51] **LOC (6) Cl. 21-02**

[52] **U.S. Cl. D21/736**

[58] **Field of Search D21/736-746;**
473/251-256, 324, 327, 328, 340, 341

[56] **References Cited**

U.S. PATENT DOCUMENTS

D. 323,686	2/1992	Whitney	D21/741
D. 324,250	2/1992	Magness	D21/741
D. 357,292	4/1995	Smith	D21/741
D. 385,321	10/1997	Quattrochi	D21/741
5,795,239	8/1998	Lin	473/255

Primary Examiner—Mitchell I Siegel
Attorney, Agent, or Firm—Martin L. Stoneman

[57] **CLAIM**

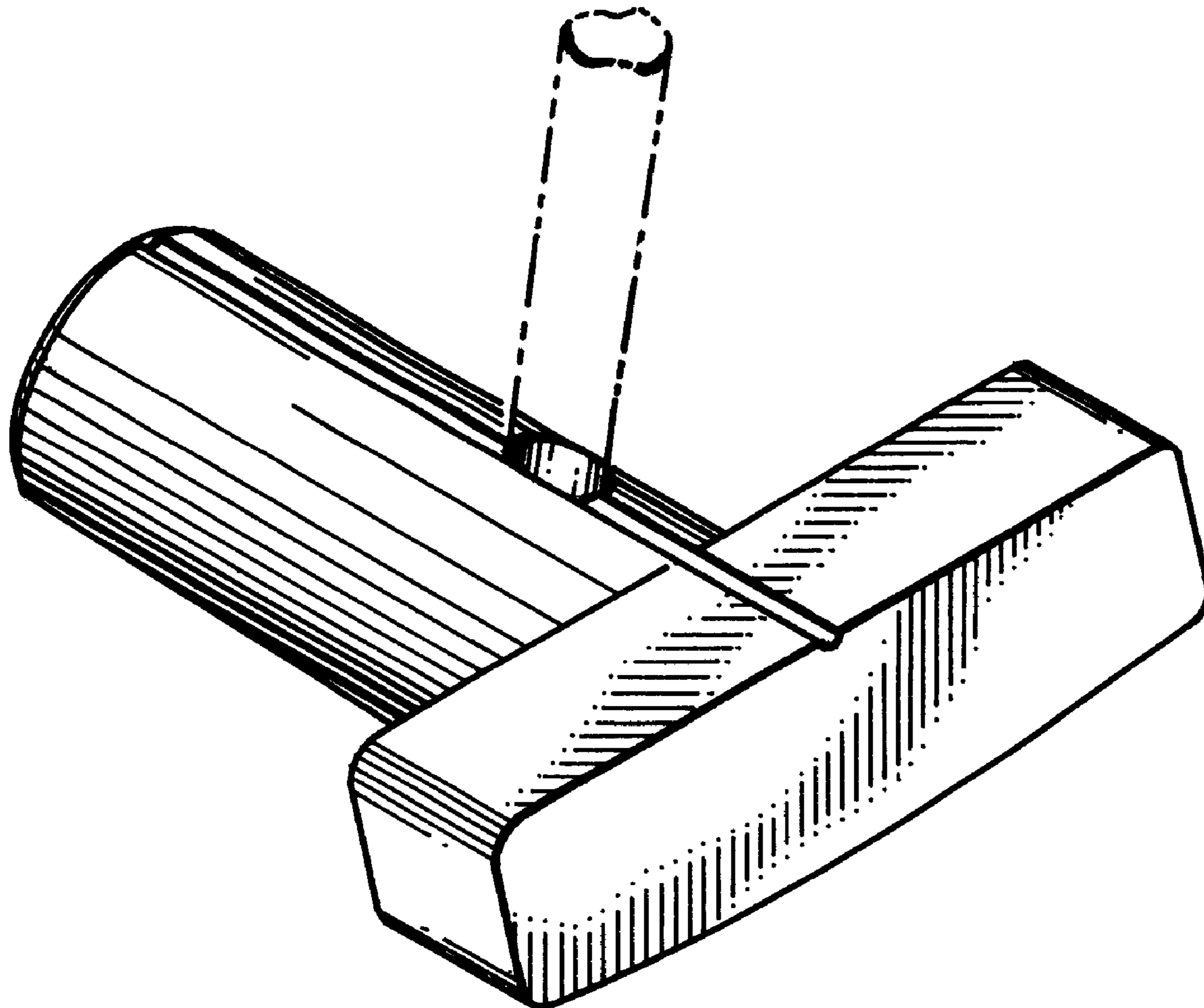
The ornamental design for a golf putter head, as shown and described.

DESCRIPTION

FIG. 1 is a left side perspective view of a golf putter head showing my new design;
FIG. 2 is a top plan view thereof;
FIG. 3 is a front elevation view thereof;
FIG. 4 is a rear elevation view thereof;
FIG. 5 is a left side elevation view thereof;
FIG. 6 is a right side elevation view thereof; and,
FIG. 7 is a bottom plan view thereof.

The broken line showing of the fragmented shaft on FIG. 1 is for illustrative purposes only and forms no part of the claimed design.

1 Claim, 1 Drawing Sheet



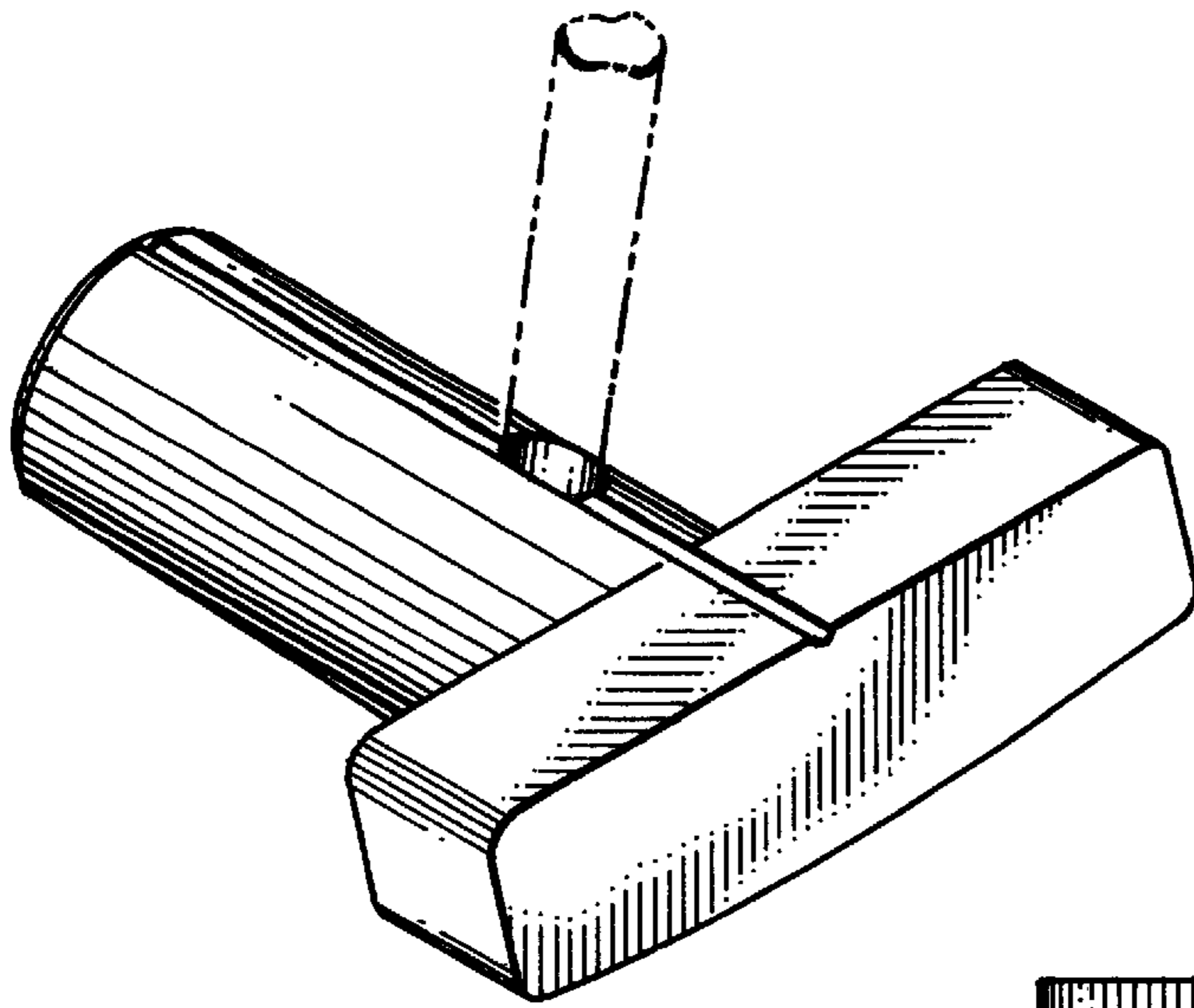


FIG. 1

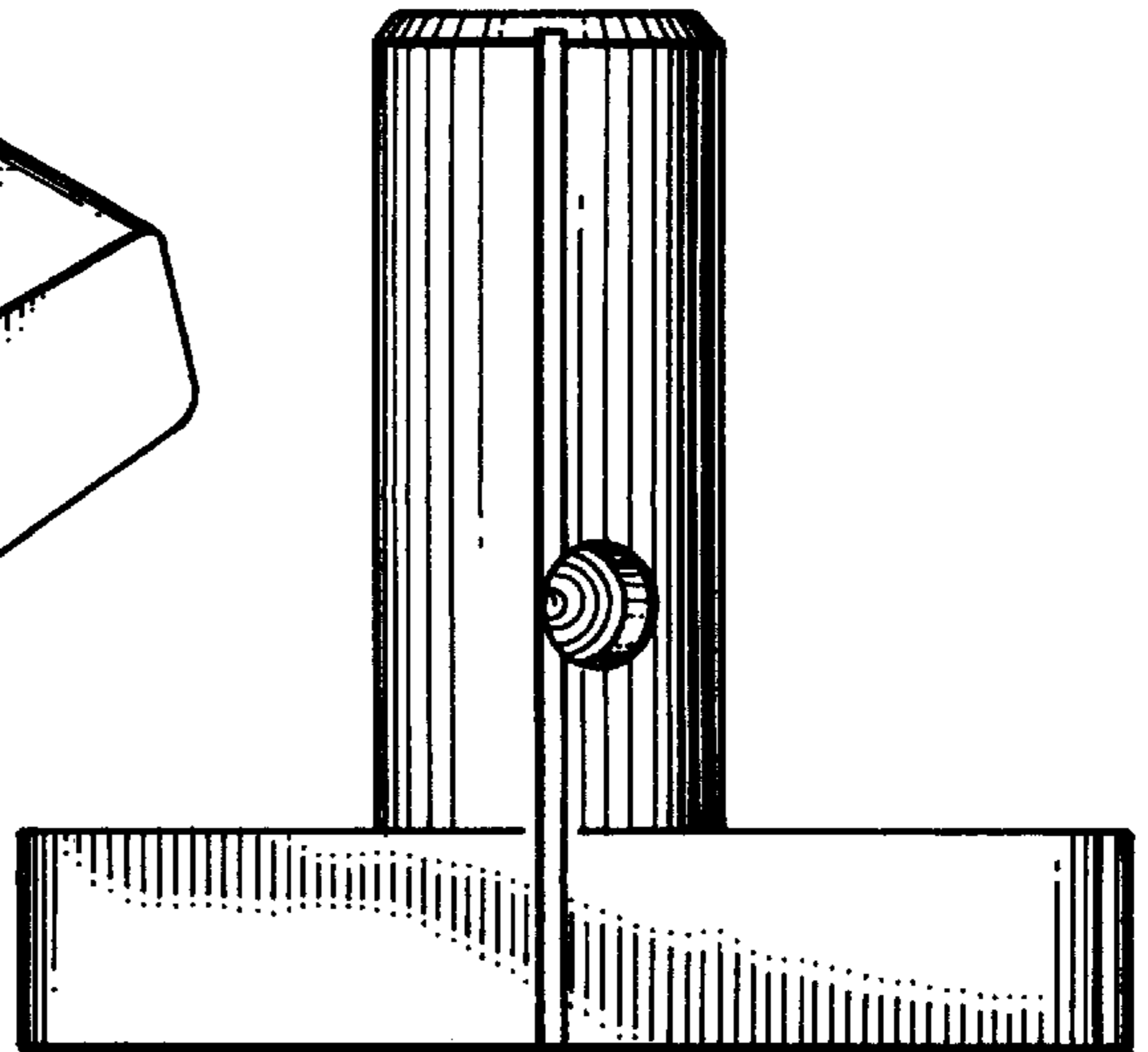


FIG. 2

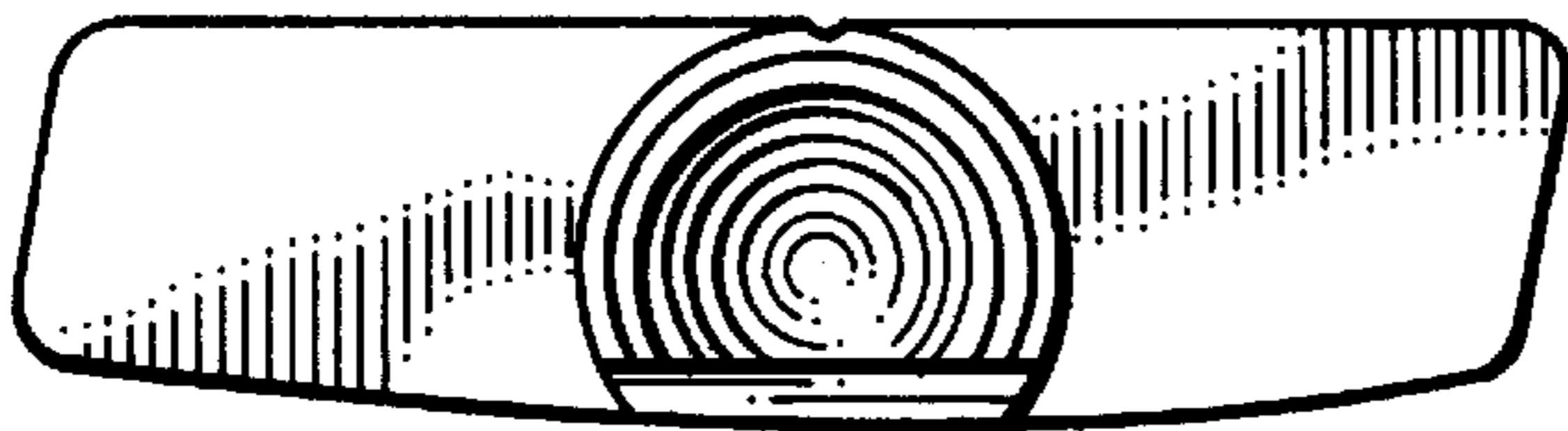


FIG. 4

FIG. 3

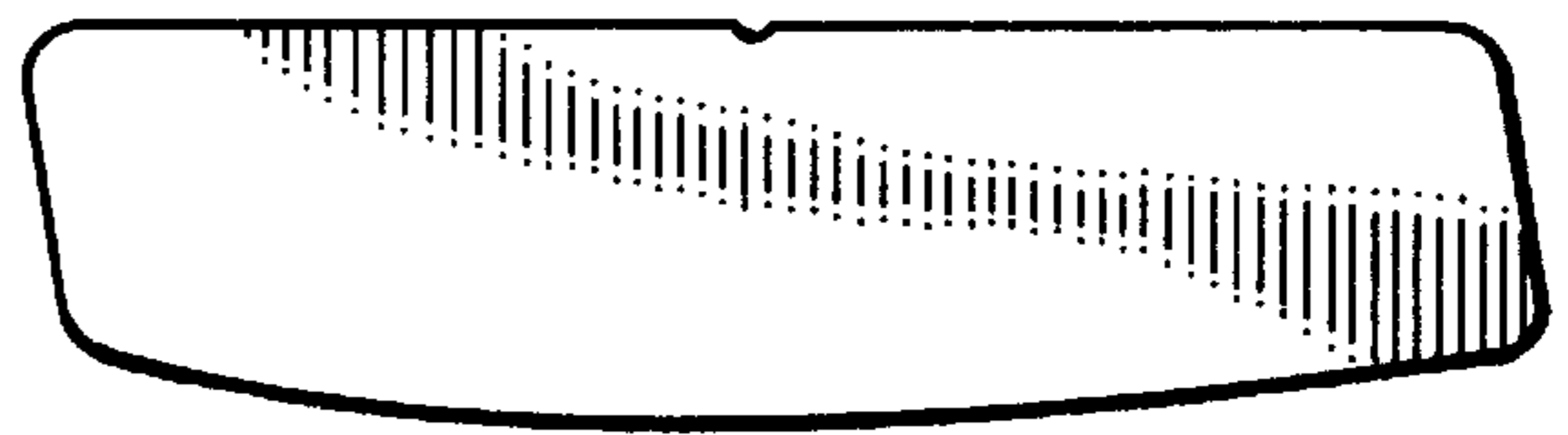


FIG. 5

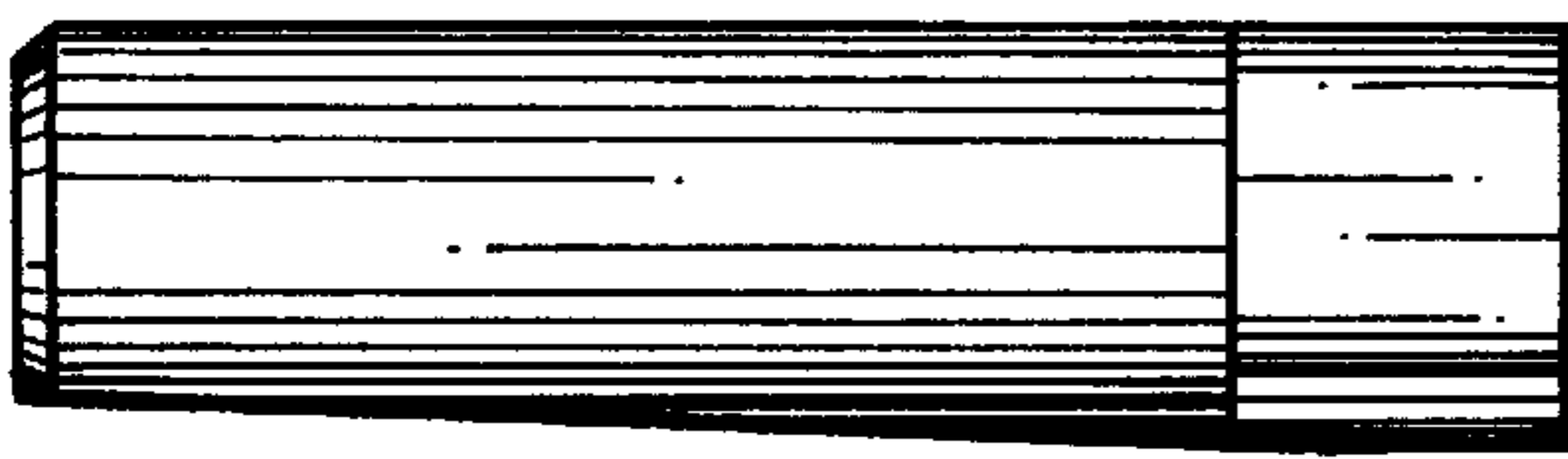


FIG. 7

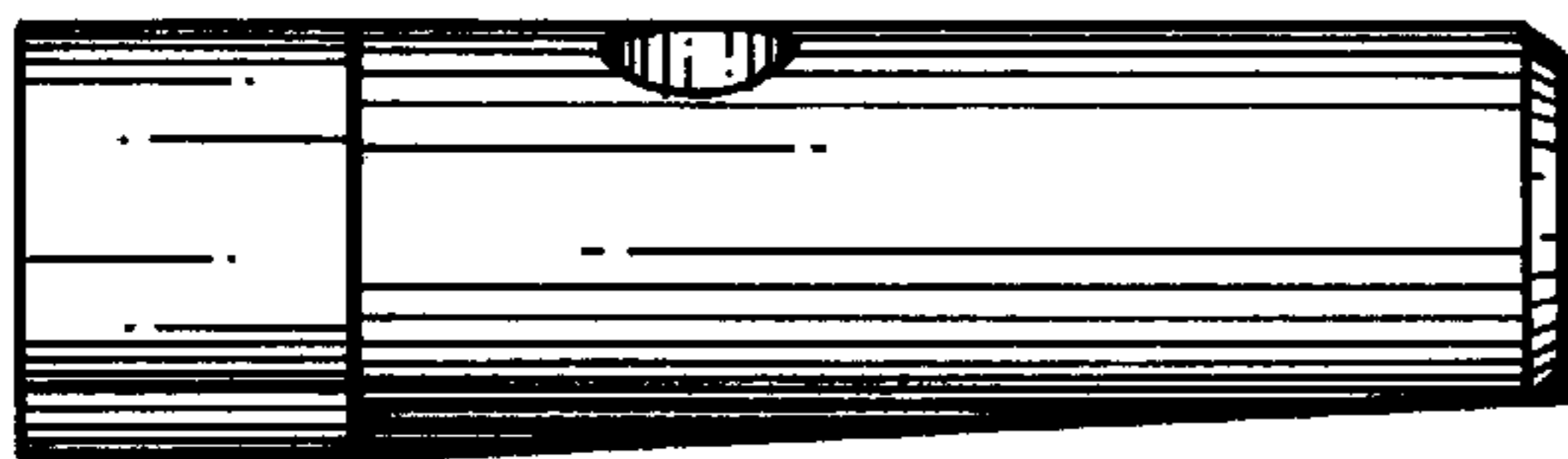


FIG. 6

