



US00D410048S

United States Patent [19] Luk

[11] **Patent Number: Des. 410,048**

[45] **Date of Patent: ** May 18, 1999**

[54] **TOY WATER GUN**

[75] **Inventor: Ka-Shiu Luk**, Fo Tan, The Hong Kong Special Administrative Region of the People's Republic of China

[73] **Assignee: Heep Tung Manufactory Limited**, The Hong Kong Special Administrative Region of the People's Republic of China

[**] **Term: 14 Years**

[21] **Appl. No.: 29/091,750**

[22] **Filed: Aug. 5, 1998**

[51] **LOC (6) Cl. 21-01**

[52] **U.S. Cl. D21/572; D21/573**

[58] **Field of Search D21/567-575; 446/267, 473, 475; 222/78-79; 239/211, 237, 329, 373; D23/225, 226**

[56] **References Cited**

U.S. PATENT DOCUMENTS

D. 205,231 7/1966 Blumenthal D21/573

D. 340,957	11/1993	D'Andrade	D21/572
D. 367,685	3/1996	Luk	D21/572
4,630,757	12/1986	Yano	222/79
5,004,444	4/1991	Chih	446/473
5,381,928	1/1995	Lee et al.	222/79
5,538,457	7/1996	Deal	446/473
5,829,635	11/1998	Brovelli	446/475

Primary Examiner—Raphael Barkai
Attorney, Agent, or Firm—Samuels, Gauthier & Stevens

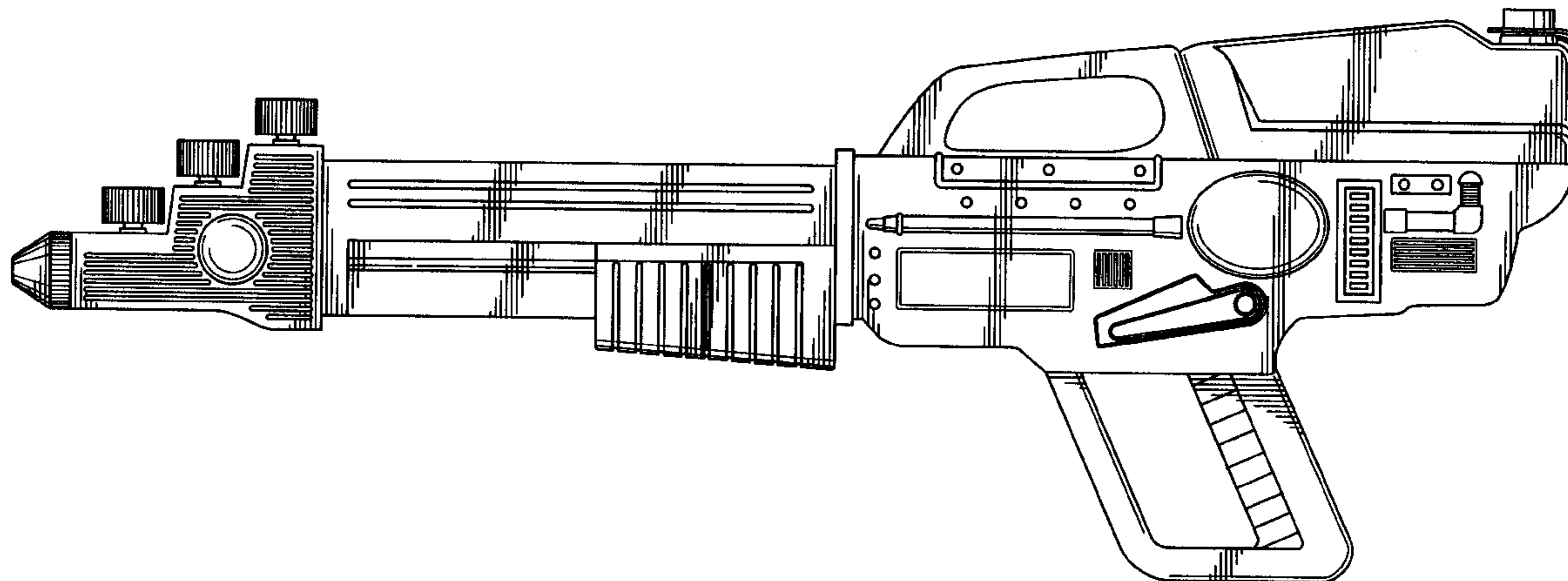
[57] **CLAIM**

The ornamental design for a "toy water gun", as shown and described.

DESCRIPTION

FIG. 1 is the perspective view showing my new design; FIG. 2 is the front view thereof; FIG. 3 is the rear view thereof; FIG. 4 is the left-hand view thereof; FIG. 5 is the right-hand view thereof; FIG. 6 is the top view thereof; and, FIG. 7 is the bottom view thereof.

1 Claim, 4 Drawing Sheets



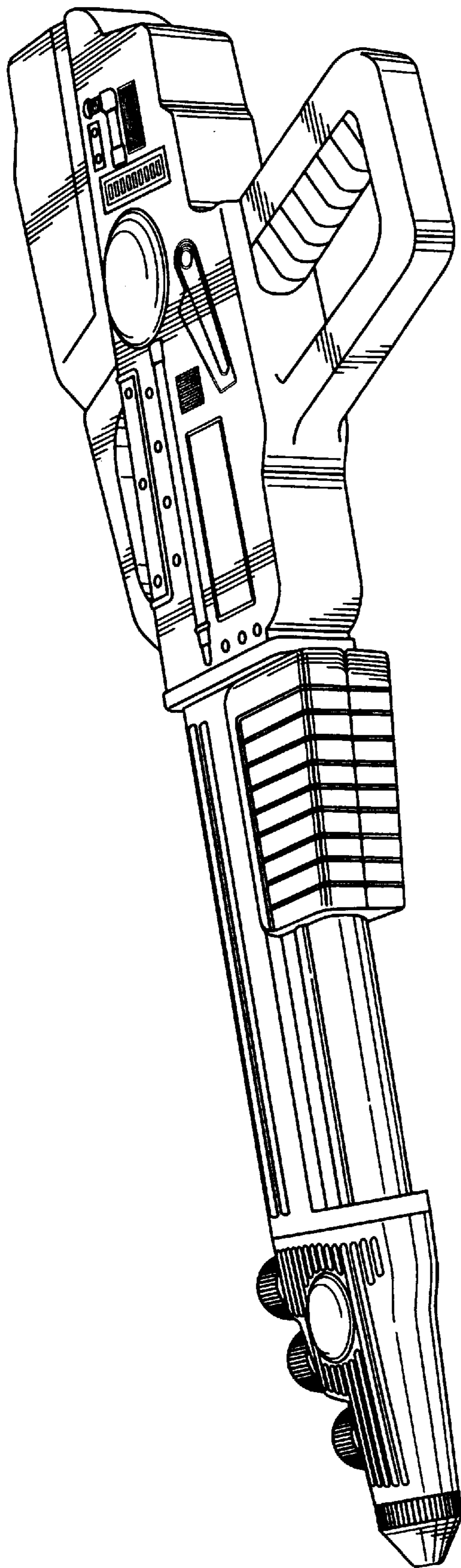


FIG. 1

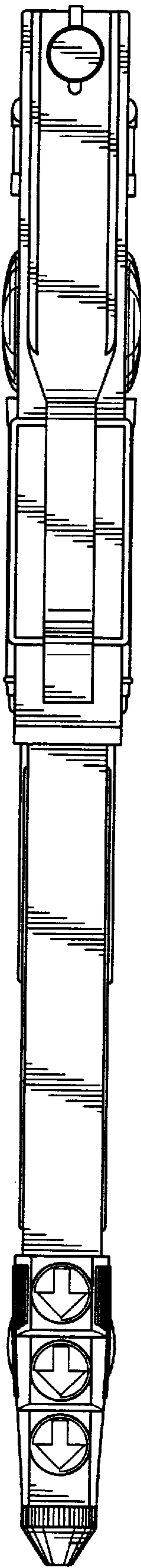


FIG. 6

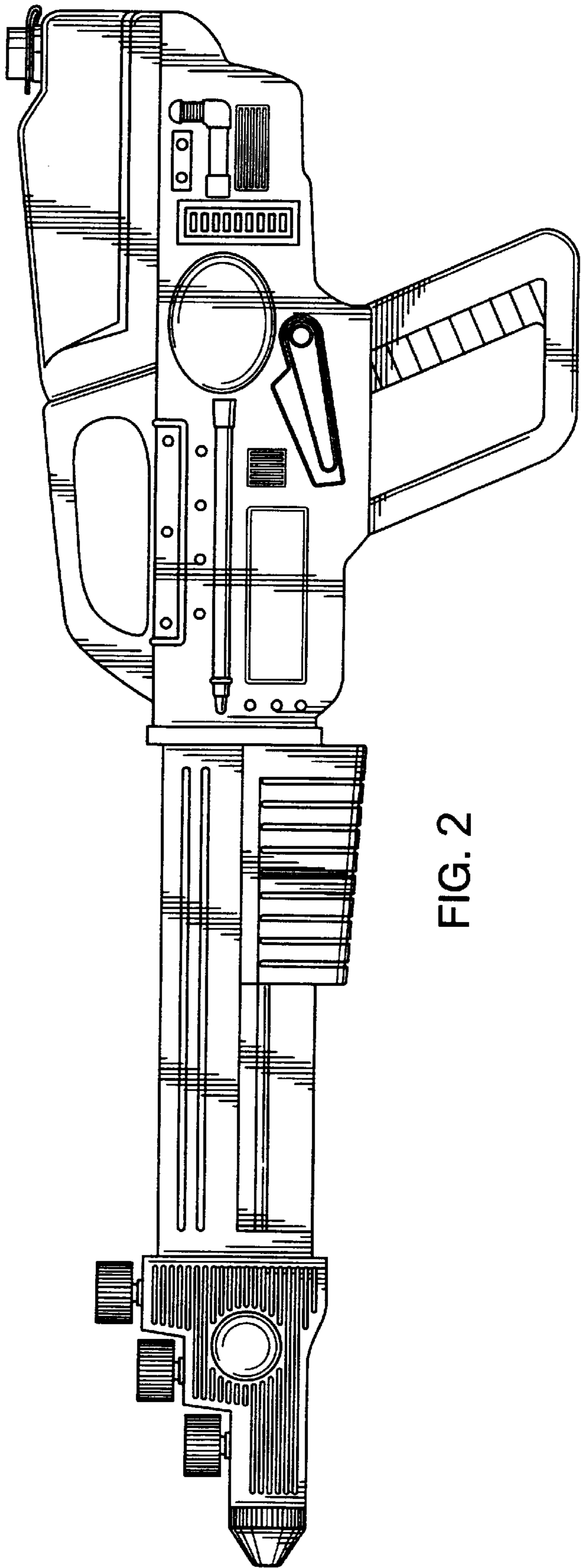


FIG. 2

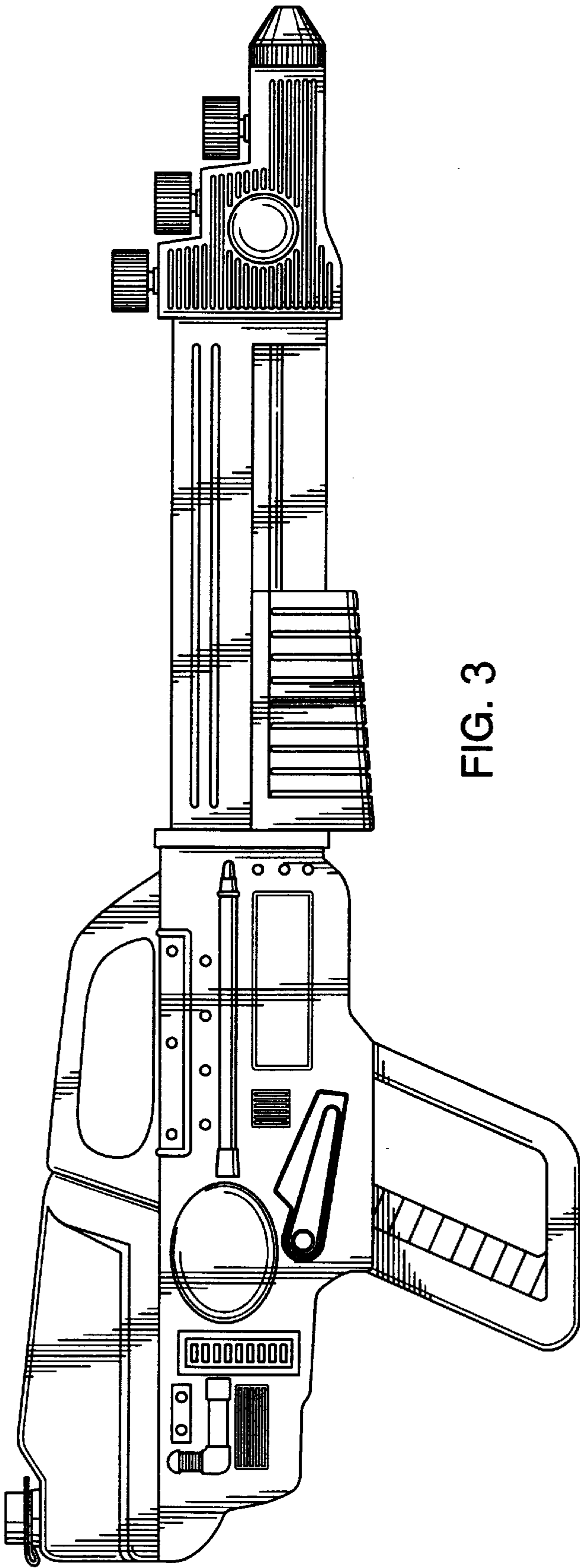


FIG. 3

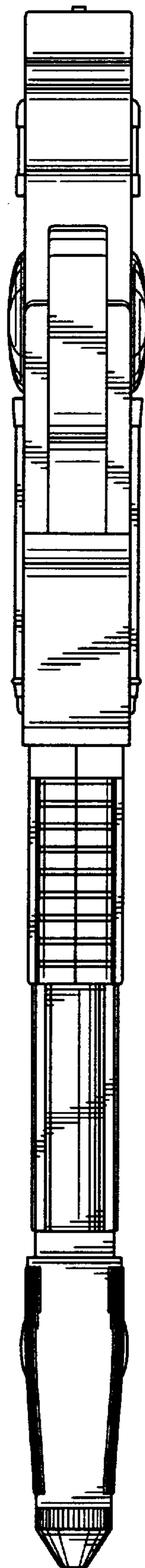


FIG. 7

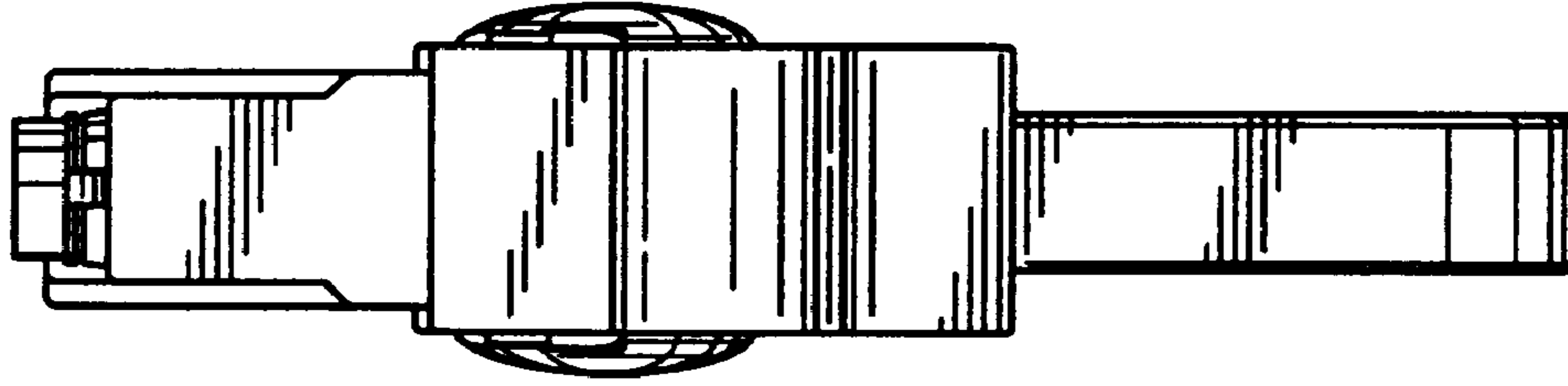


FIG. 5

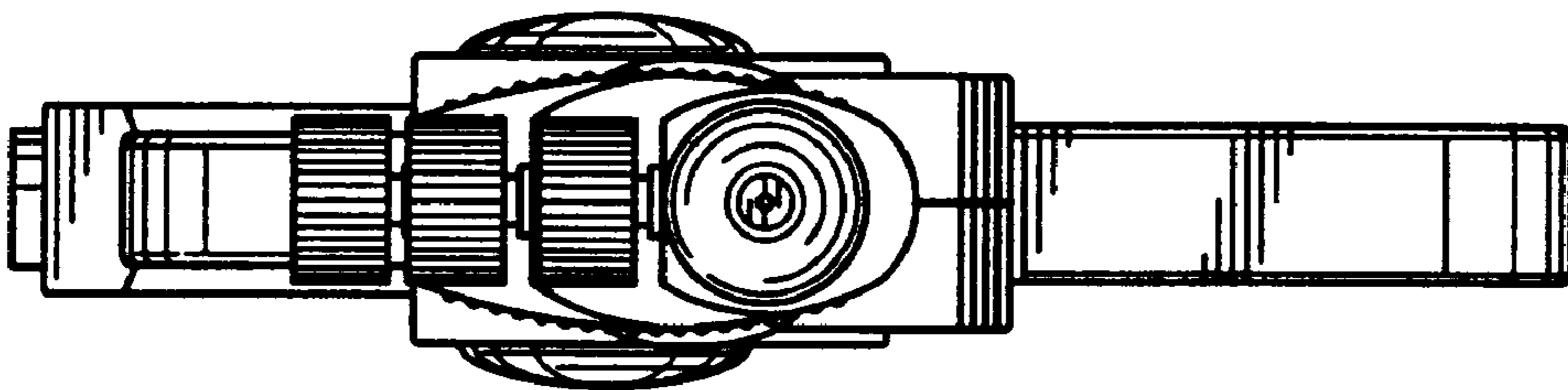


FIG. 4