



US00D410044S

United States Patent [19] Krog

[11] Patent Number: **Des. 410,044**

[45] Date of Patent: **** May 18, 1999**

[54] **TOY BUILDING ELEMENT**

[75] Inventor: **Ricco Reinholdt Krog**, Vejen, Denmark

[73] Assignee: **INTERLEGO AG**, Baar, Switzerland

[**] Term: **14 Years**

[21] Appl. No.: **29/093,729**

[22] Filed: **Sep. 17, 1998**

[30] **Foreign Application Priority Data**

Mar. 18, 1998 [DK] Denmark MA 0297 1998

[51] **LOC (6) Cl.** **21-01**

[52] **U.S. Cl.** **D21/503**

[58] **Field of Search** D21/483-505,
D21/561; 446/85, 90, 93-96, 102-108,
110-113, 120-122, 124-125, 128

[56] **References Cited**

U.S. PATENT DOCUMENTS

1,973,536 9/1934 Mack 446/103
4,044,497 8/1977 Bettens 446/103

4,813,903 3/1989 Furukawa et al. 446/103
5,071,384 12/1991 Poulsen 446/128
5,238,231 8/1993 Huang 446/121
5,322,466 6/1994 Bolli et al. 446/121
5,681,201 10/1997 Choi 446/111
5,769,681 6/1998 Greenwood 446/120

Primary Examiner—Raphael Barkai
Attorney, Agent, or Firm—Kane, Dalsimer, Sullivan,
Kurucz, Levy, Eisele and Richard, LLP

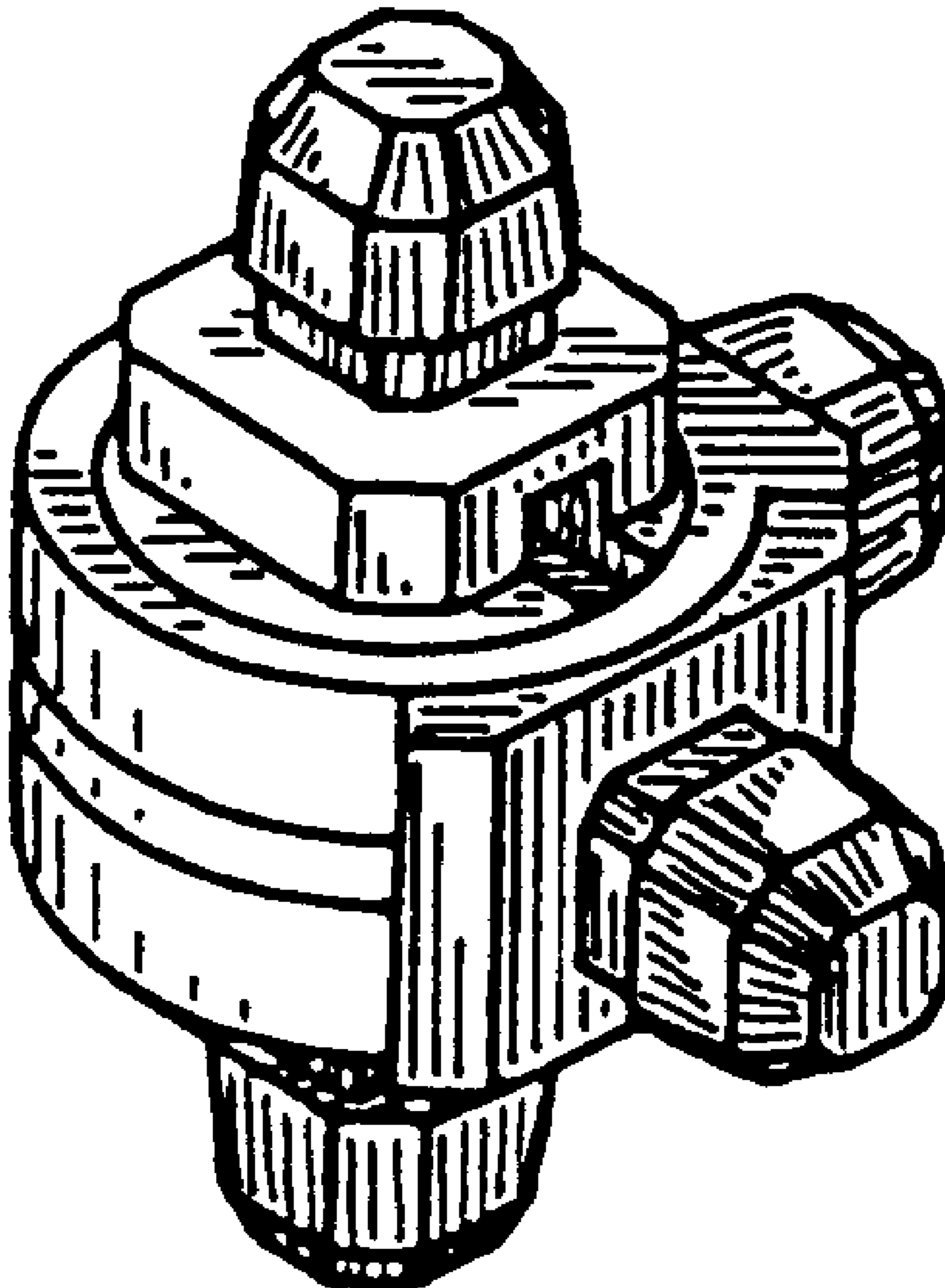
[57] **CLAIM**

The ornamental design for a toy building element, as shown and described.

DESCRIPTION

FIG. 1 is a top perspective view of the toy building element, FIG. 2 is a top plan view thereof, FIG. 3 is a front elevational view thereof, FIG. 4 is a bottom plan view thereof, FIG. 5 is a right side elevational view thereof, FIG. 6 is a left side elevational view thereof, FIG. 7 is a rear elevational view thereof; and, FIG. 8 is a bottom perspective view thereof.

1 Claim, 1 Drawing Sheet



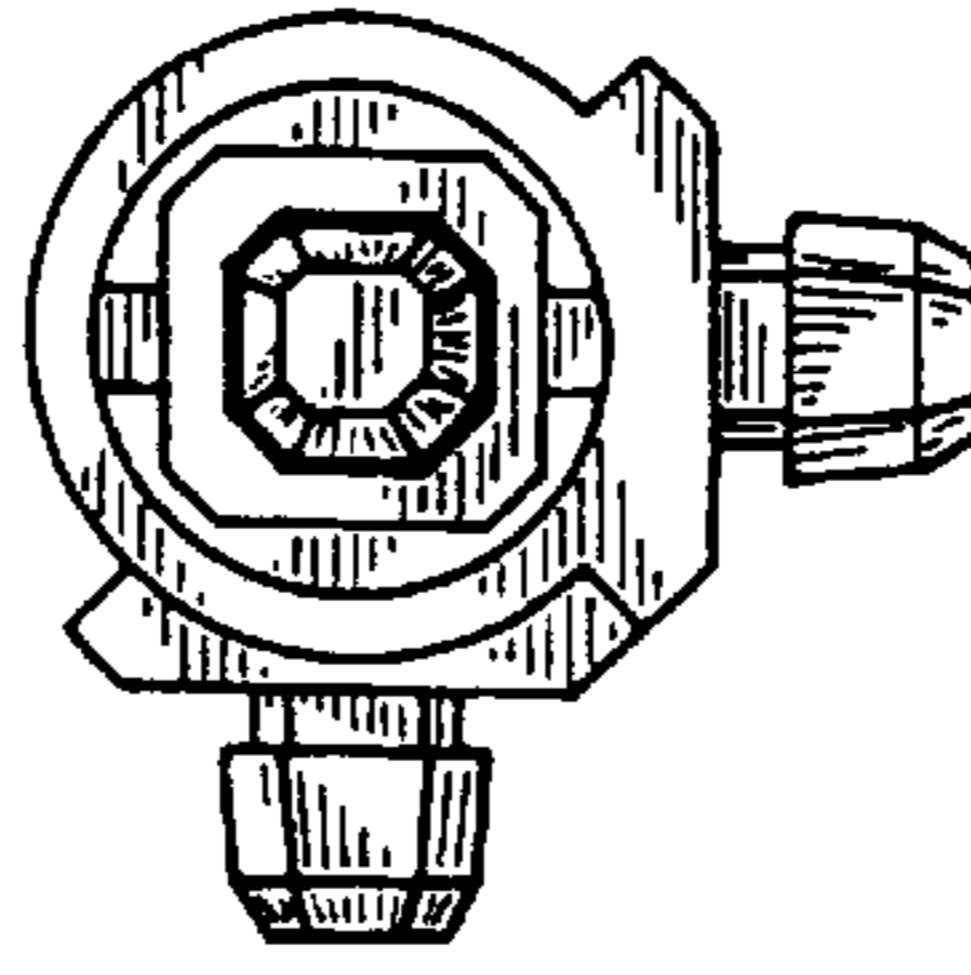


FIG. 2

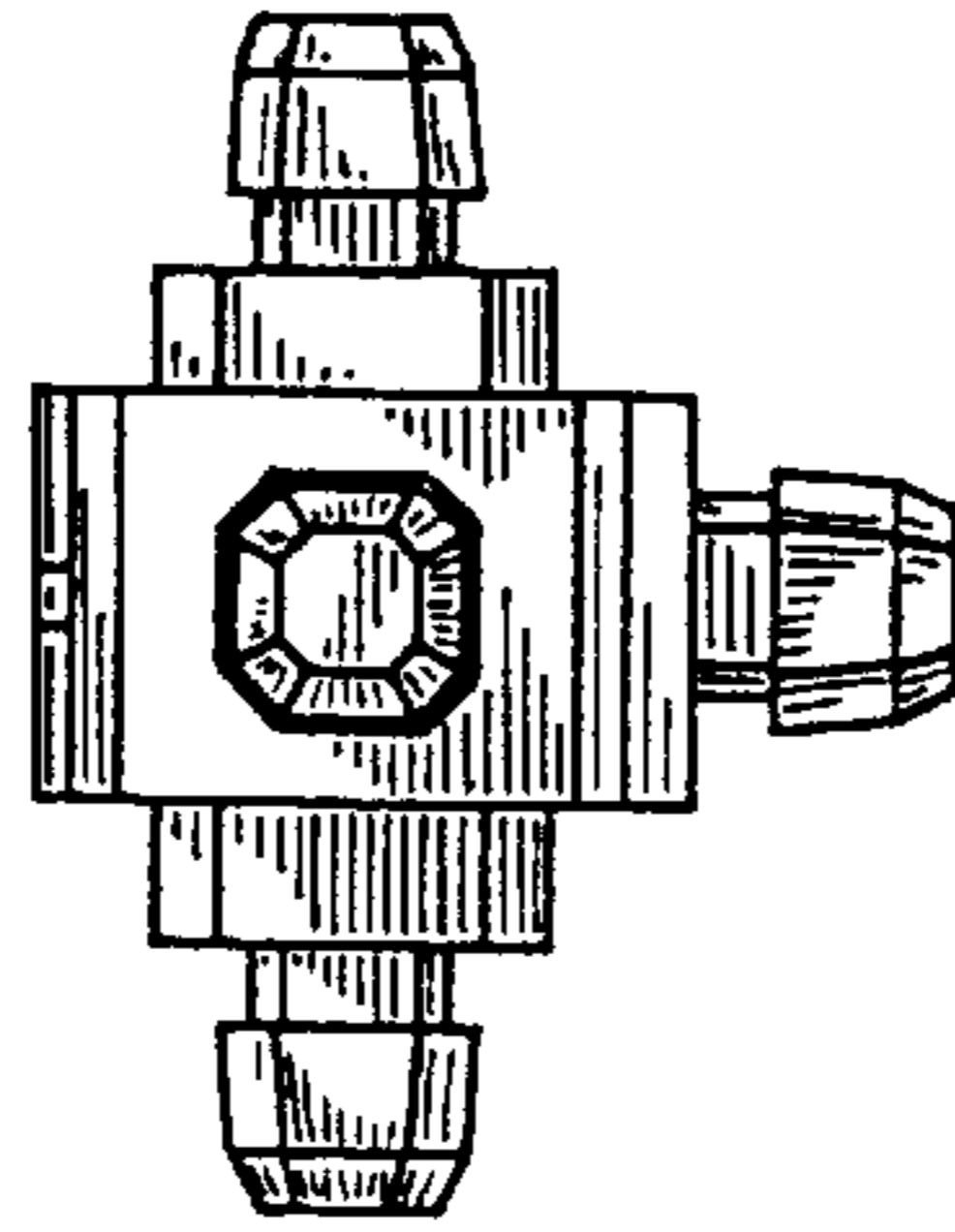


FIG. 7

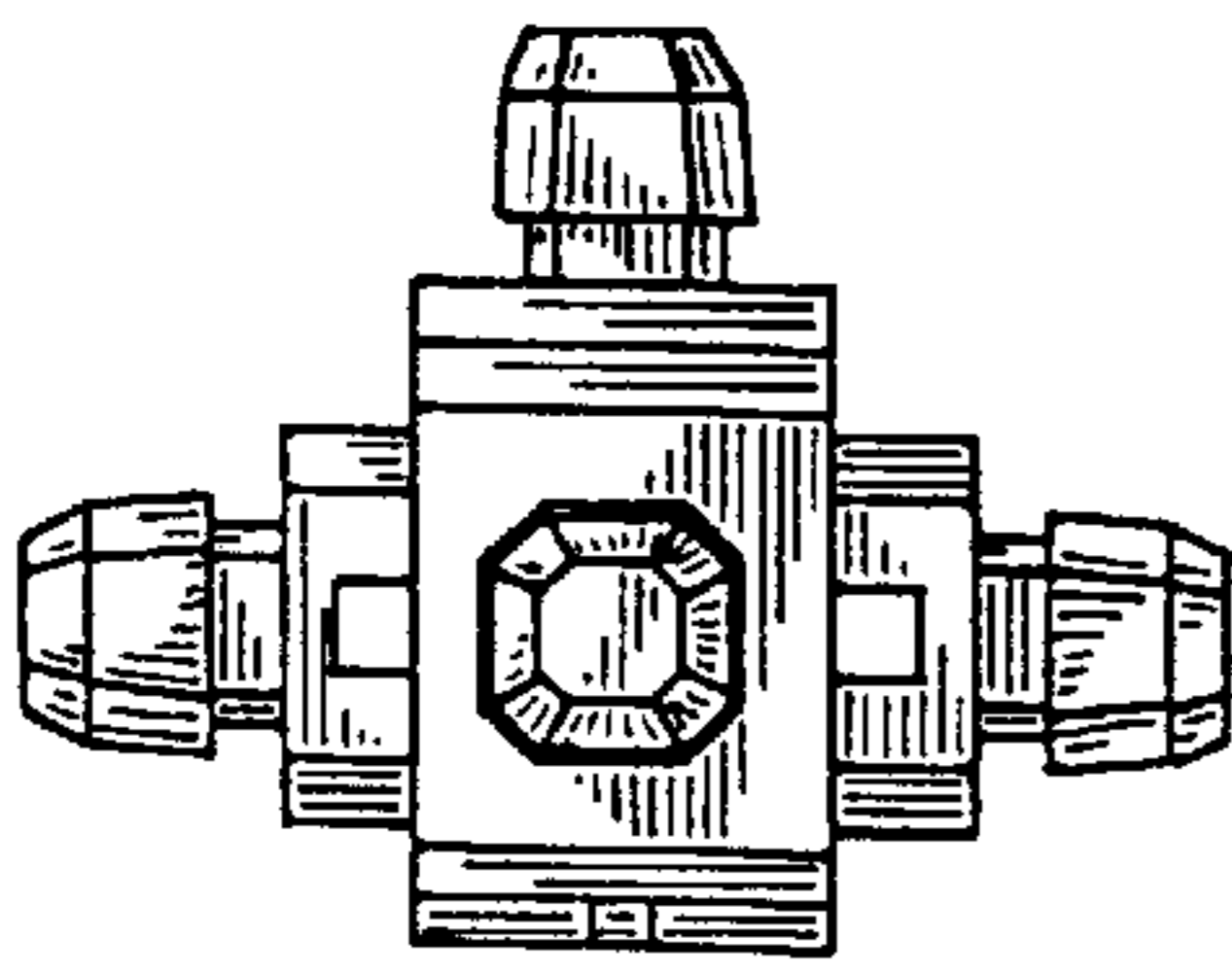


FIG. 5

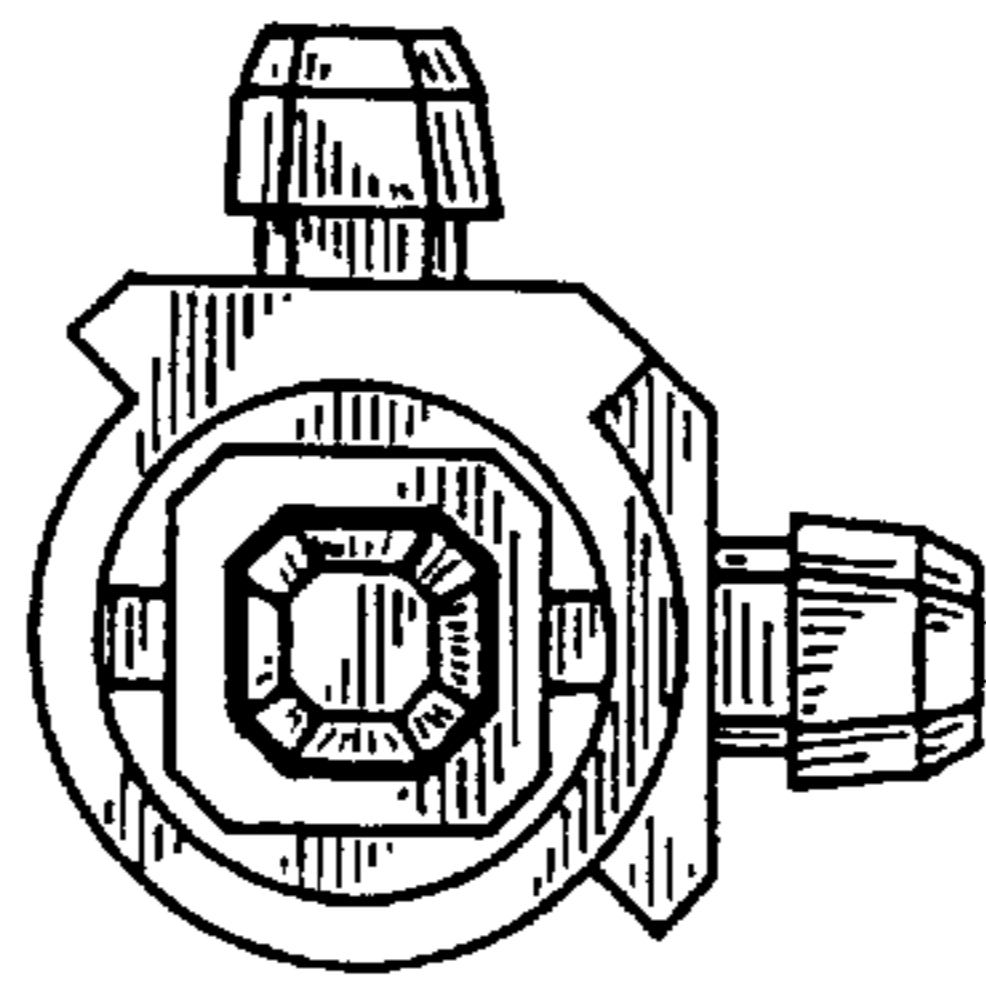


FIG. 4

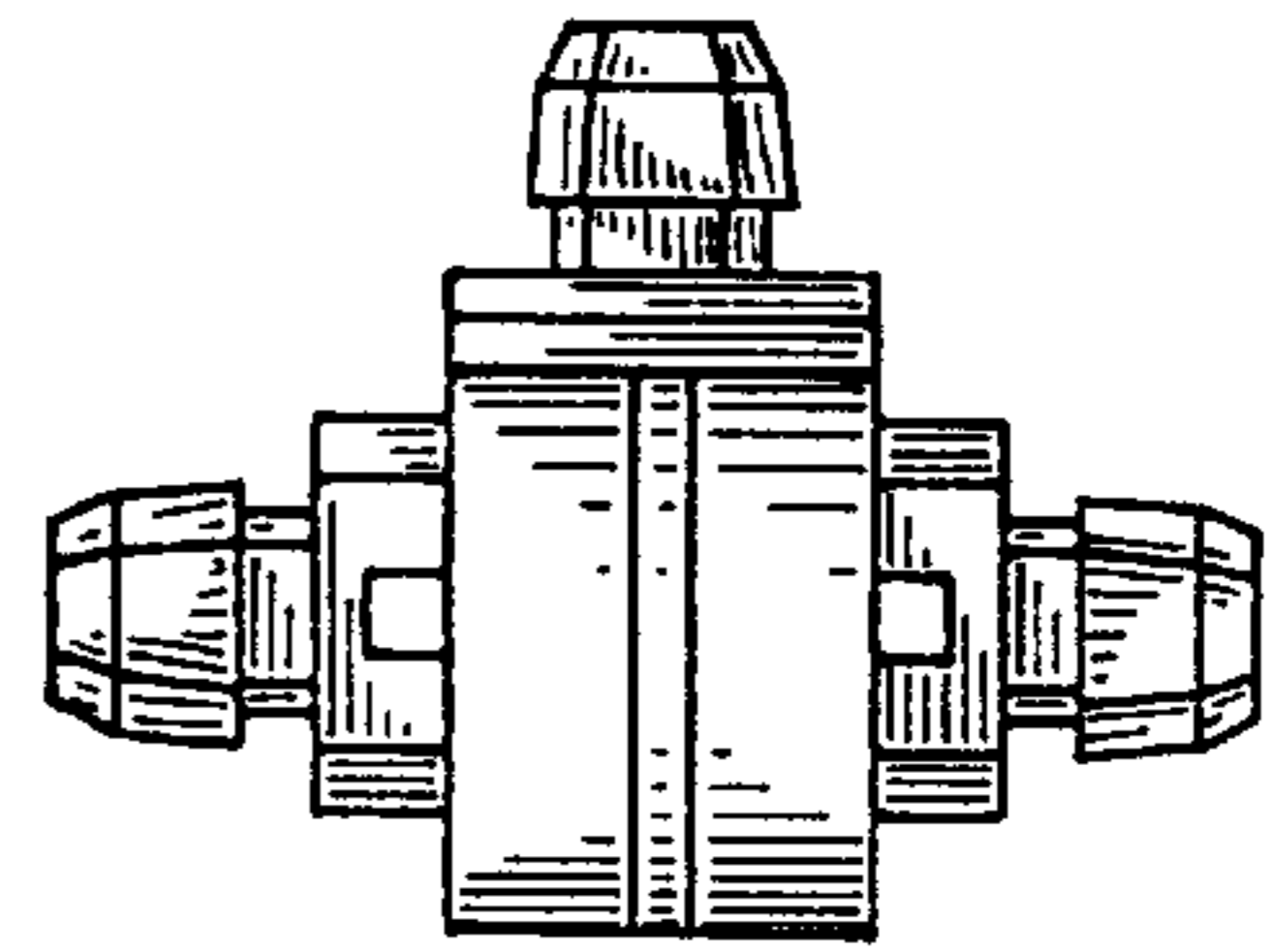


FIG. 6

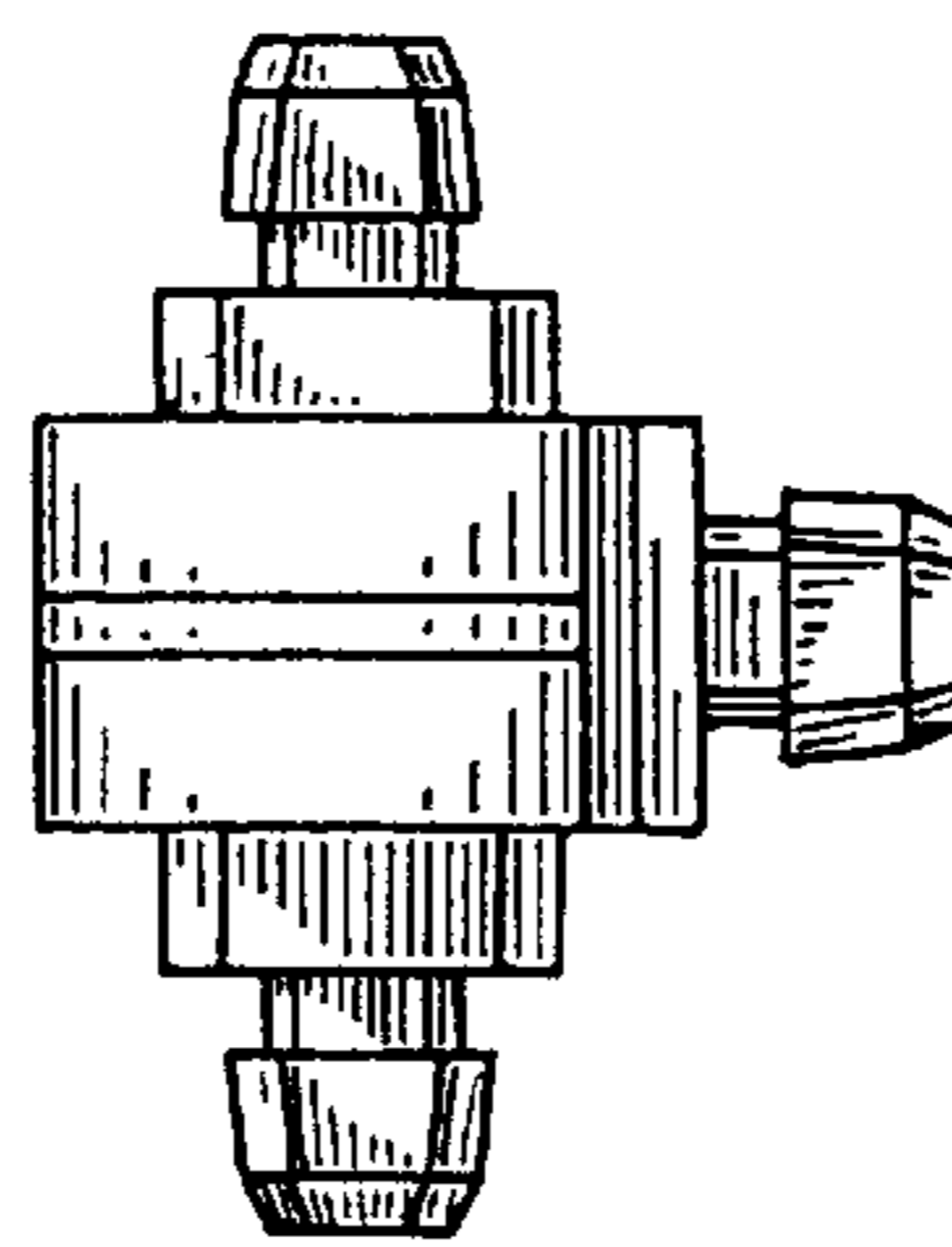


FIG. 3

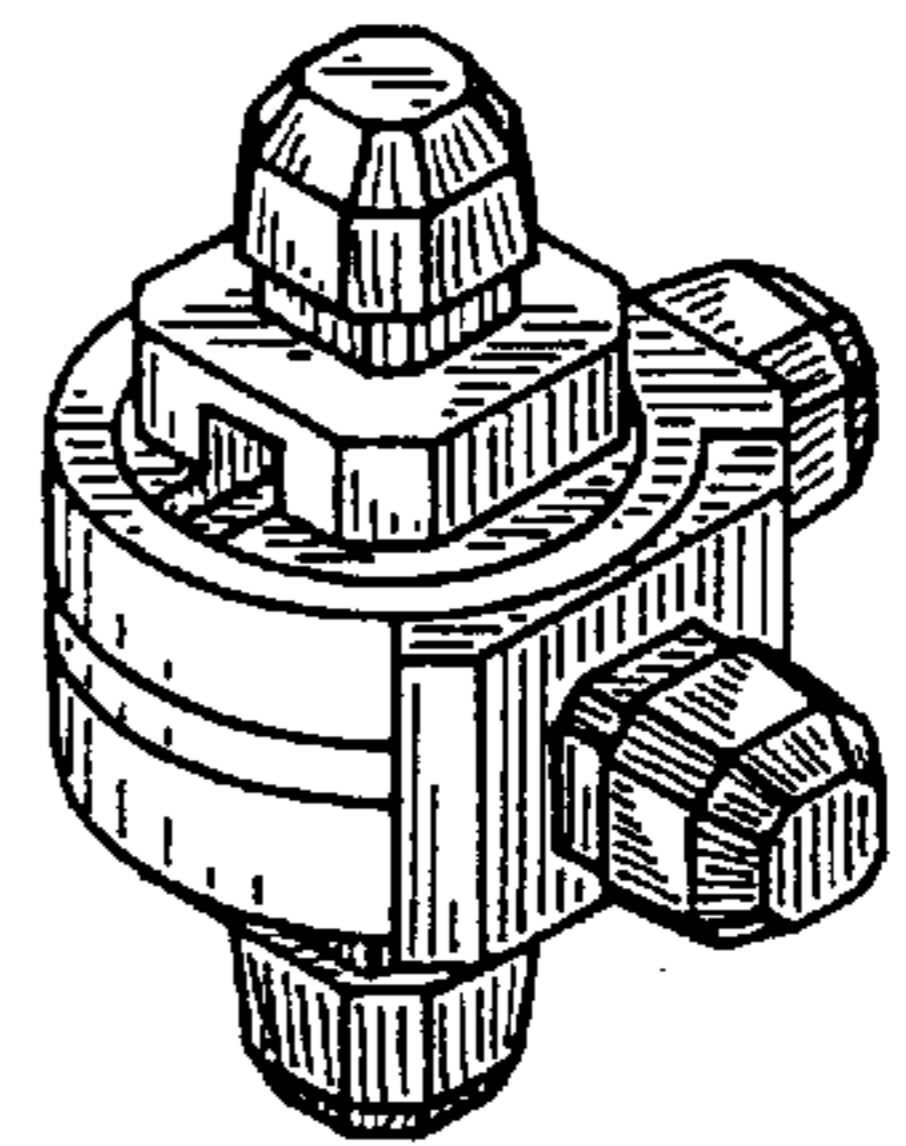


FIG. 8

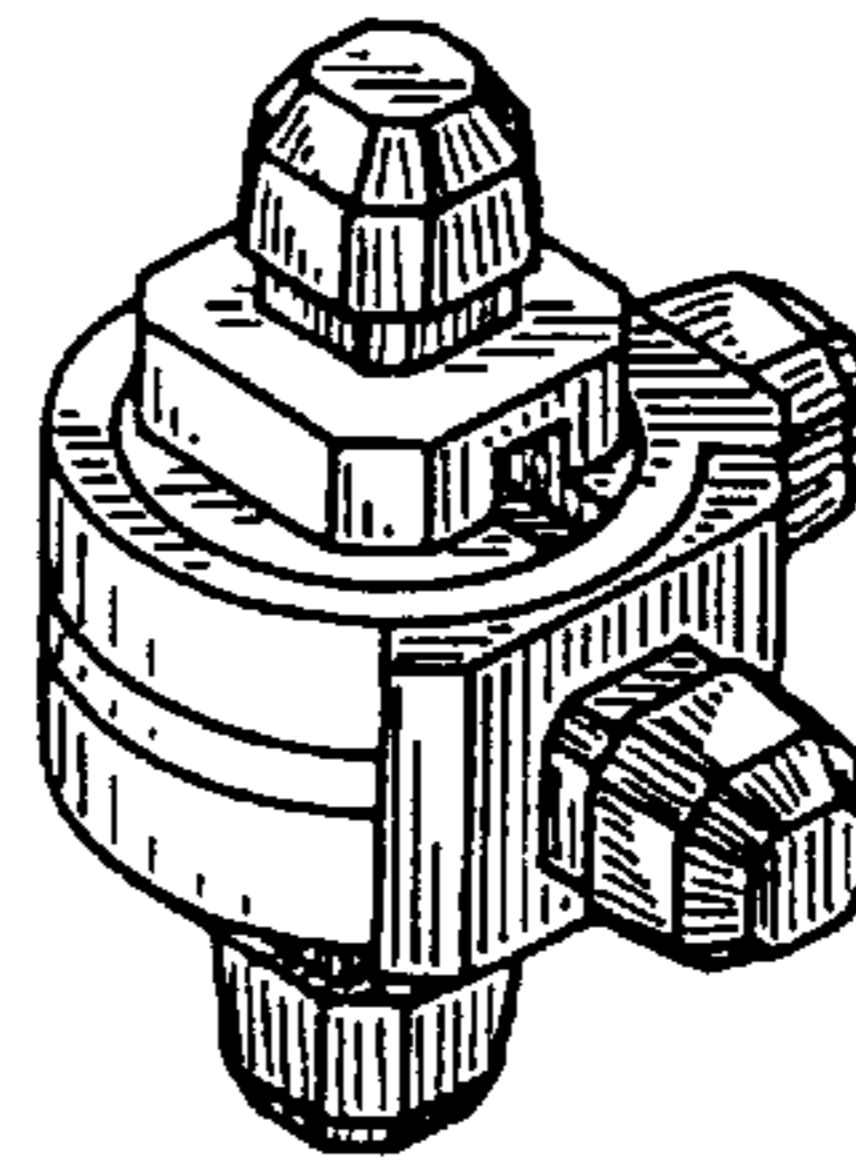


FIG. 1