



US00D410043S

United States Patent [19] Petersen

[11] Patent Number: **Des. 410,043**

[45] Date of Patent: **** May 18, 1999**

[54] **TOY BUILDING ELEMENT**

[75] Inventor: **Pelle Normann Petersen**, Jelling, Denmark

[73] Assignee: **INTERLEGO AG**, Baar, Switzerland

[**] Term: **14 Years**

[21] Appl. No.: **29/093,741**

[22] Filed: **Sep. 17, 1998**

[51] **LOC (6) Cl.** **21-01**

[52] **U.S. Cl.** **D21/502; D21/495; D21/503**

[58] **Field of Search** **D21/483-505, D21/561; 446/85, 90, 93-96, 102-108, 120-122, 124-125, 128**

[56] **References Cited**

U.S. PATENT DOCUMENTS

- D. 282,090 1/1986 Takahashi D21/495
- D. 314,993 2/1991 Hatting et al. D21/502
- D. 314,995 2/1991 Poulsen et al. D21/488

- D. 352,751 11/1994 Hatting D21/491
- D. 374,257 10/1996 Schmidt D21/486
- 5,259,803 11/1993 Lyman 446/103

Primary Examiner—Raphael Barkai
Attorney, Agent, or Firm—Kane, Dalsimer, Sullivan, Kurucz, Levy, Eisele and Richard, LLP

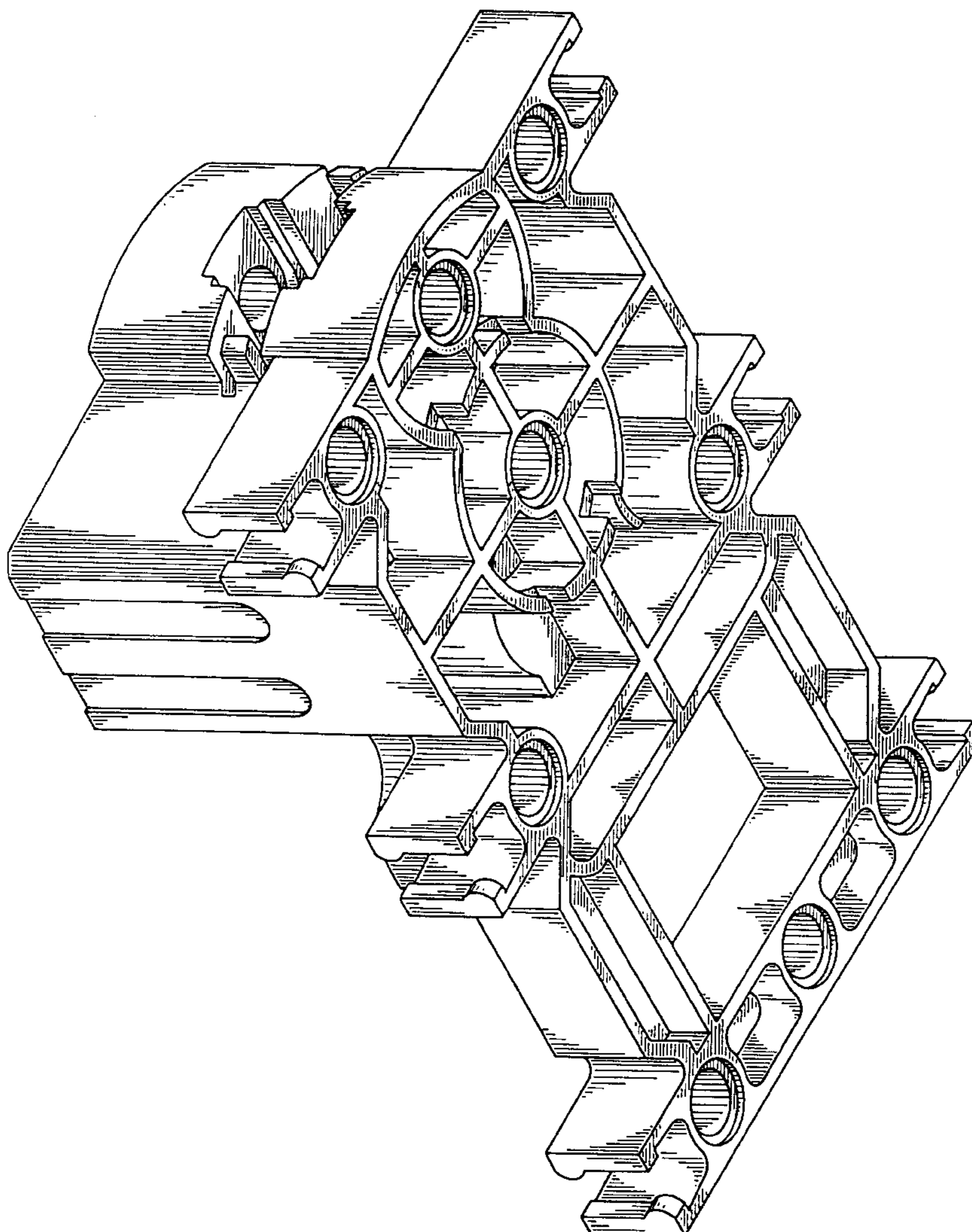
[57] **CLAIM**

The ornamental design for a toy building element, as shown and described.

DESCRIPTION

FIG. 1 is a top perspective view of the toy building element, FIG. 2 is a top plan view thereof, FIG. 3 is a front elevational view thereof, FIG. 4 is a bottom plan view thereof, FIG. 5 is a right side elevational view thereof, FIG. 6 is a left side elevational view thereof, FIG. 7 is a rear elevational view thereof; and, FIG. 8 is a bottom perspective view thereof.

1 Claim, 5 Drawing Sheets



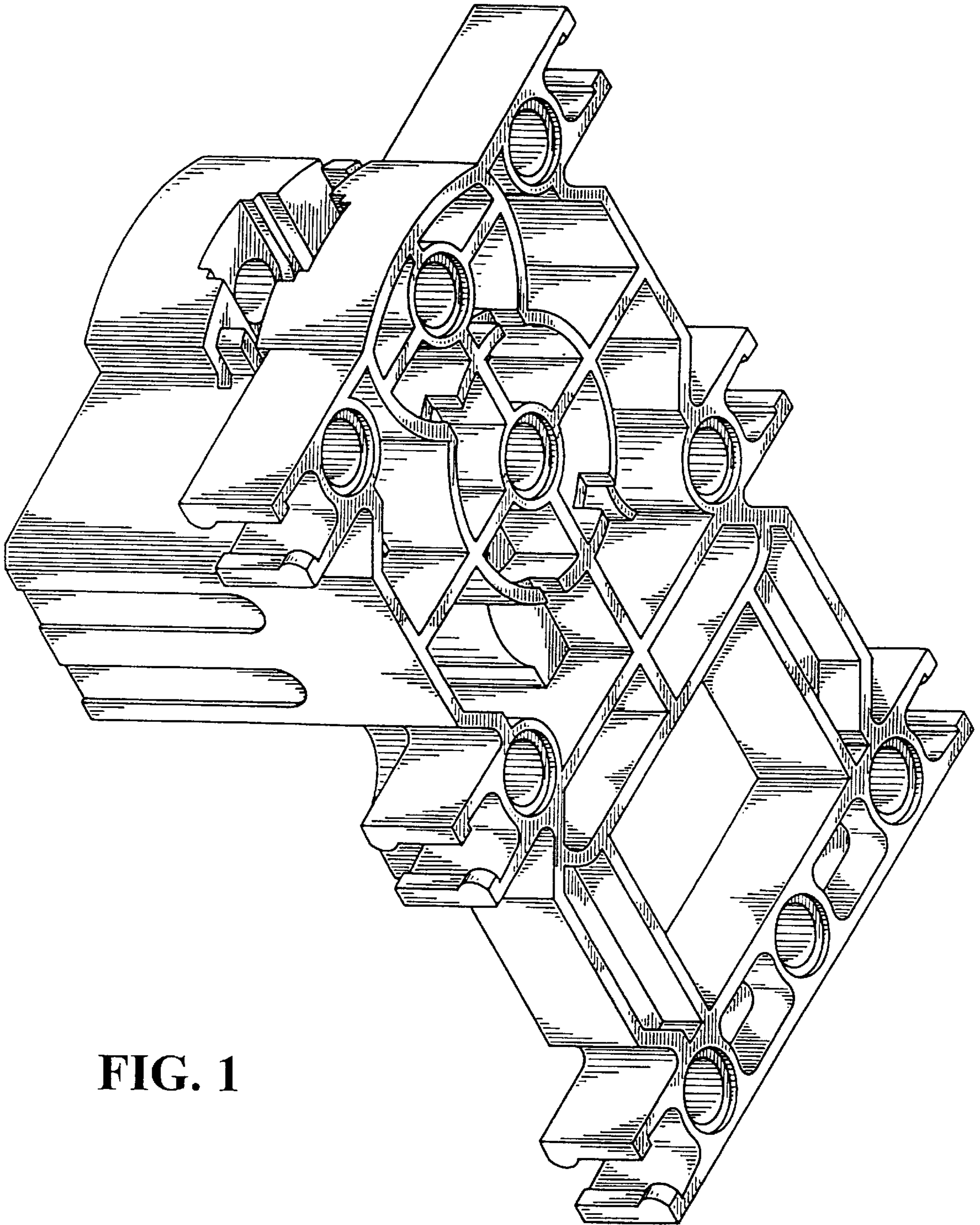


FIG. 1

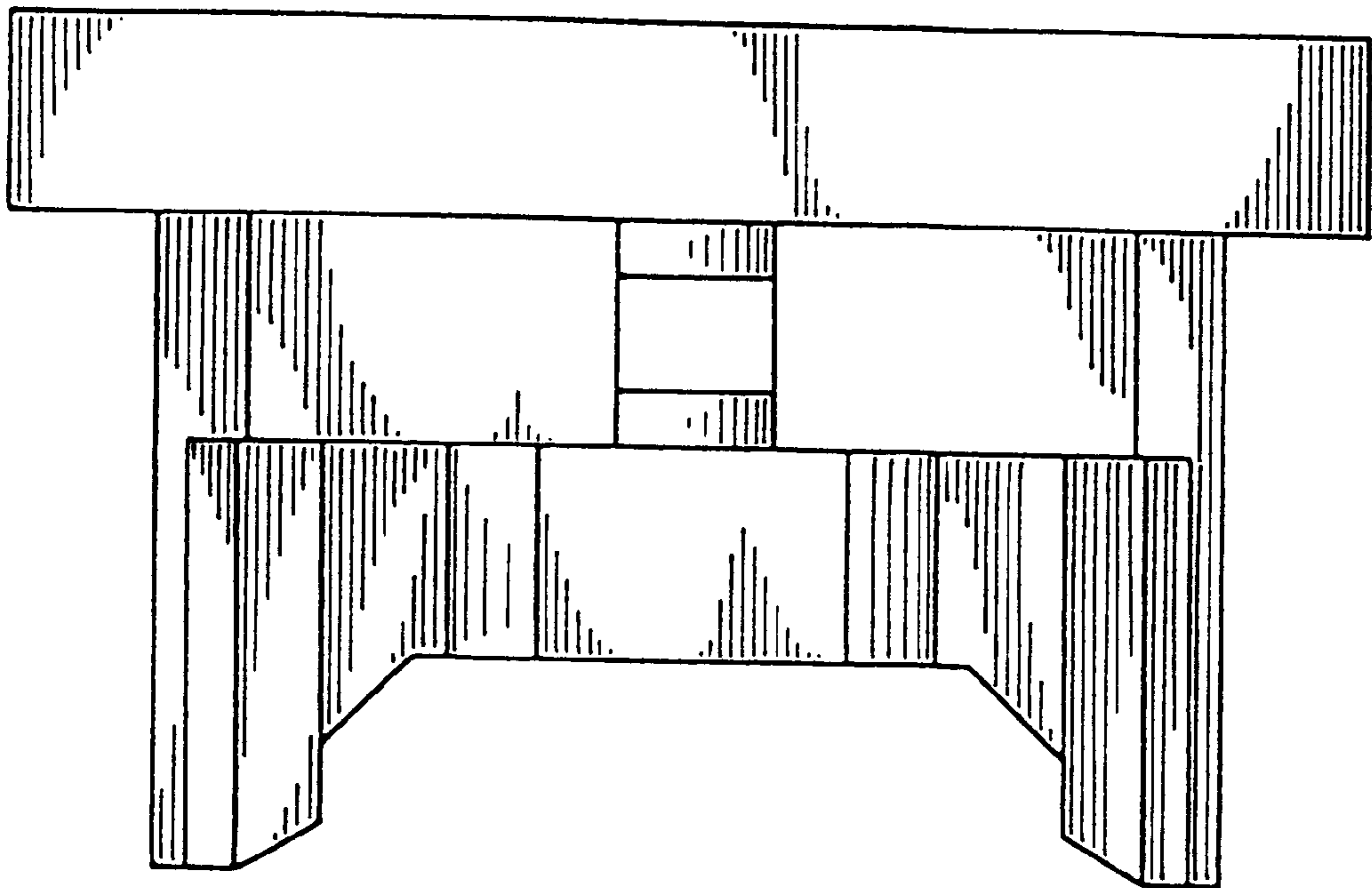


FIG. 4

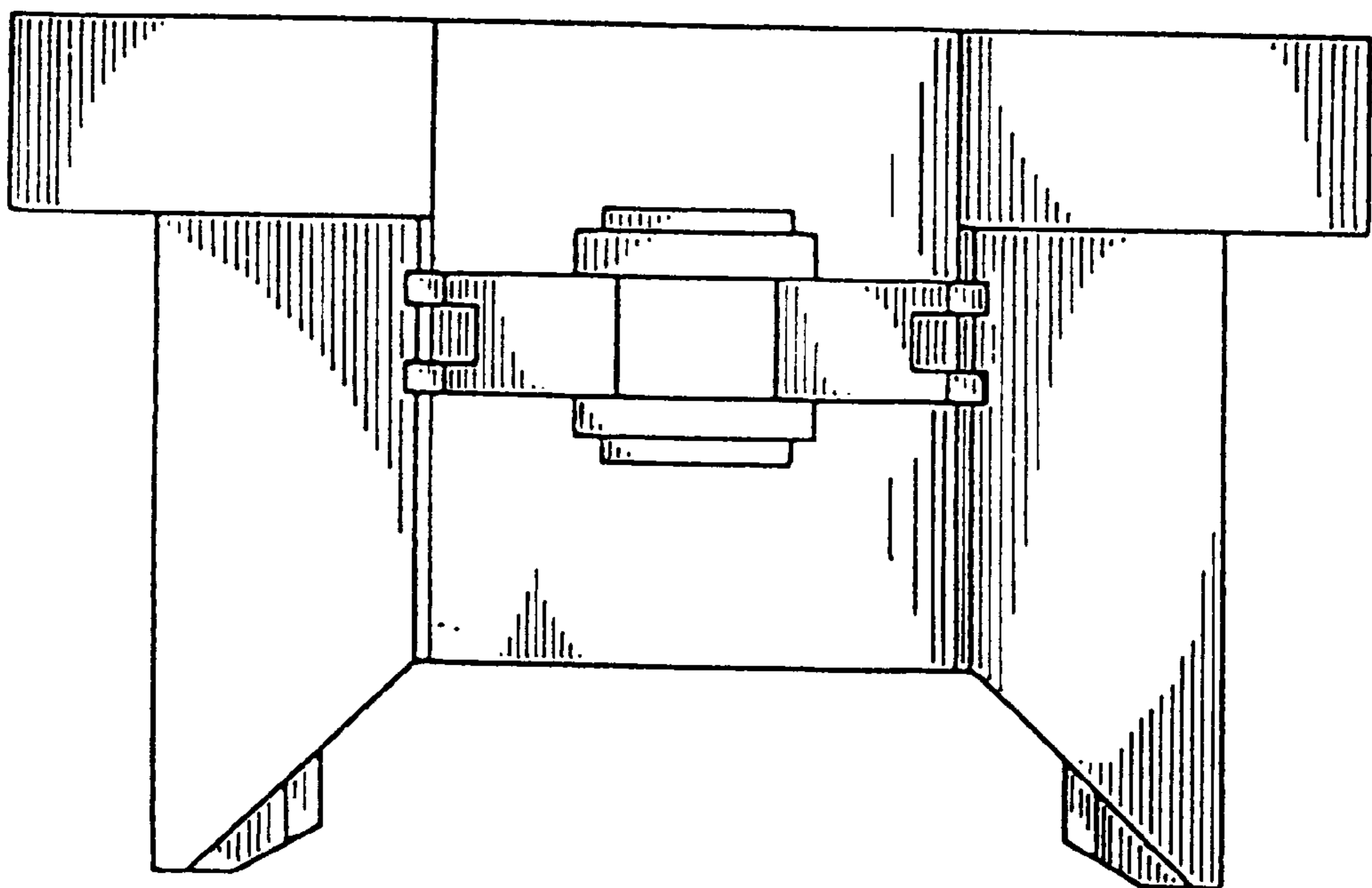


FIG. 2

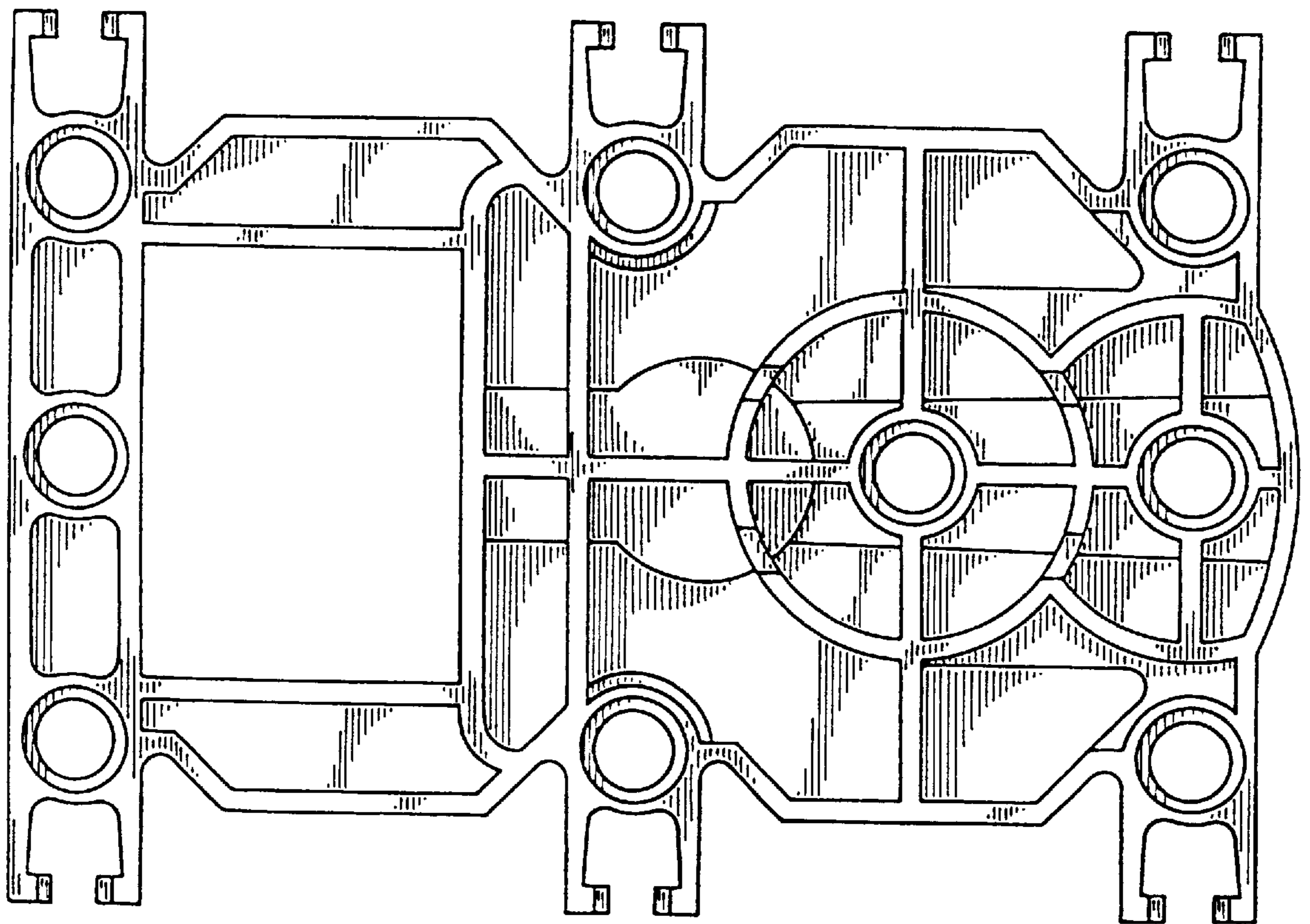


FIG. 5

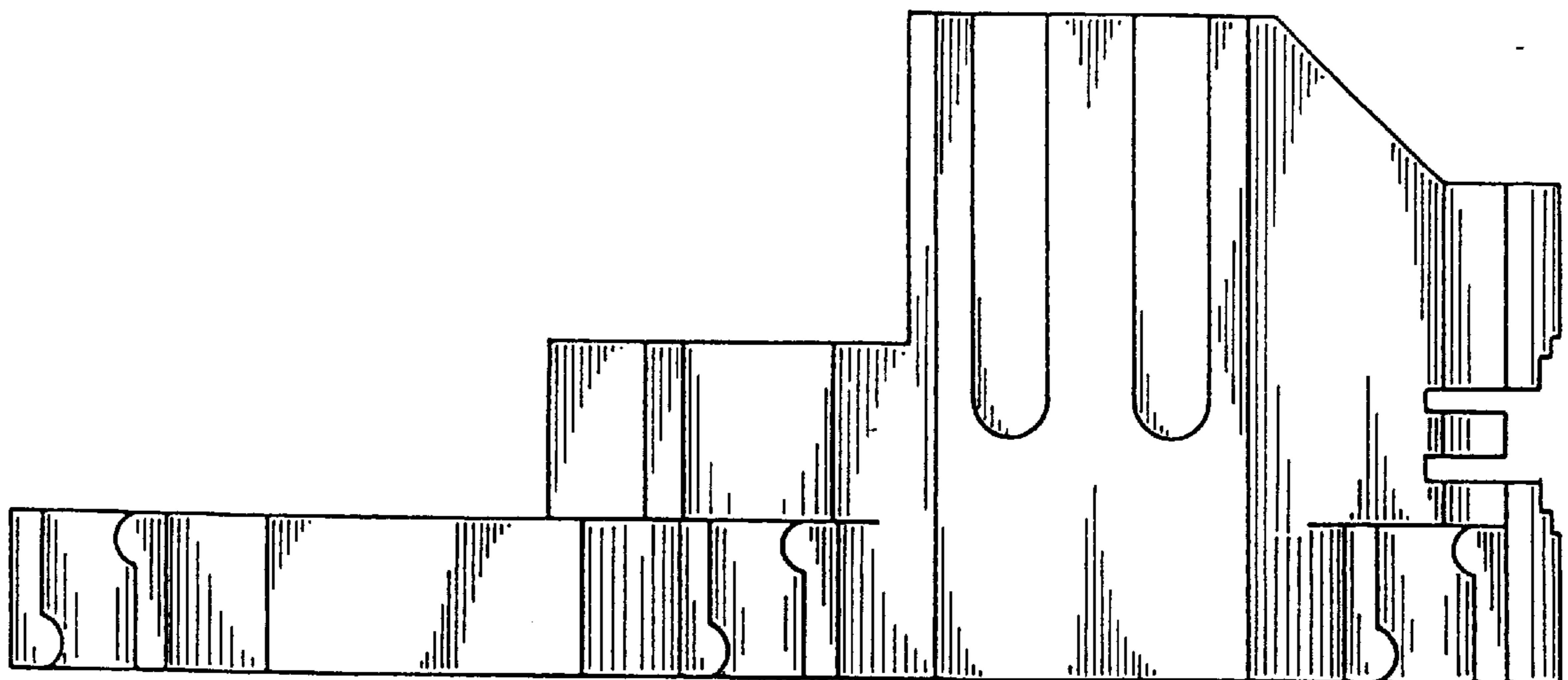


FIG. 3

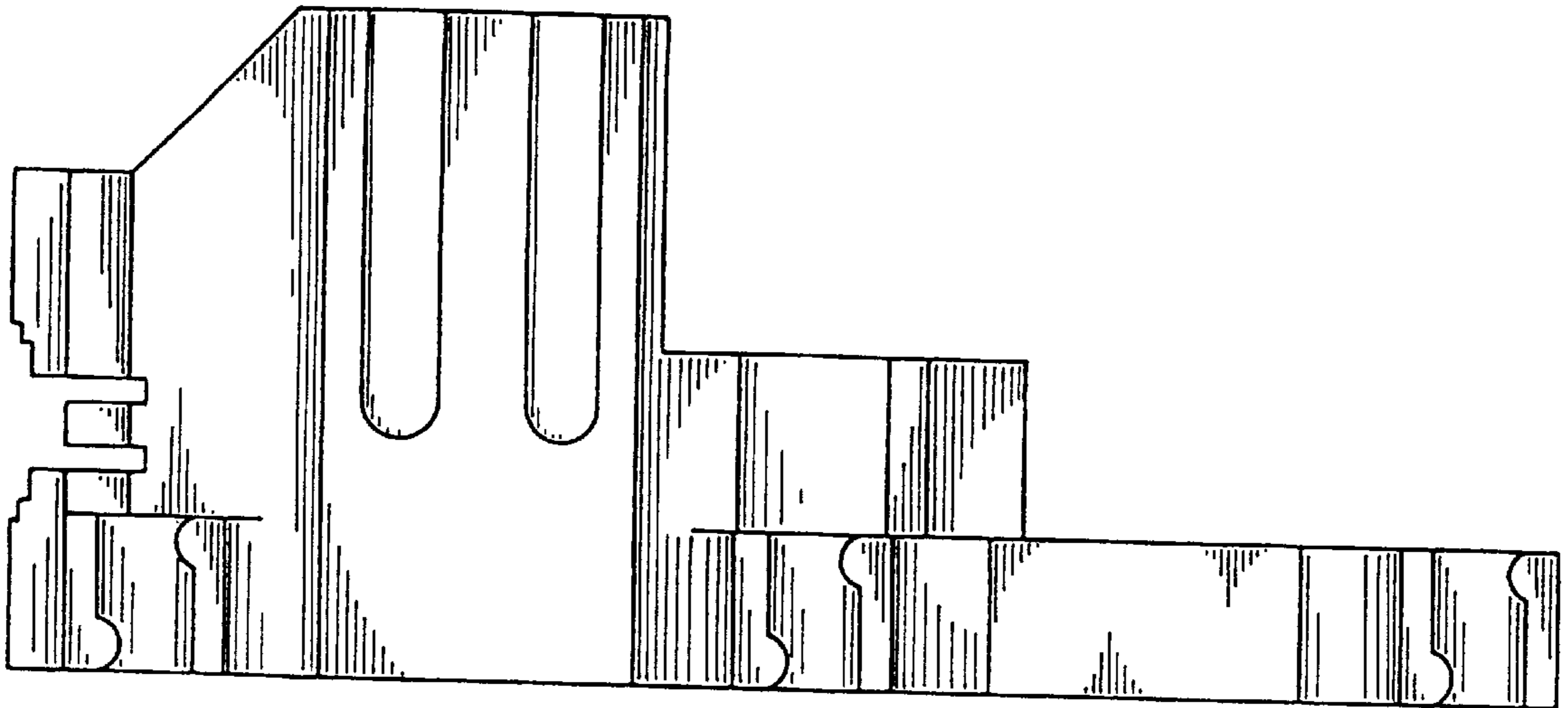


FIG. 7

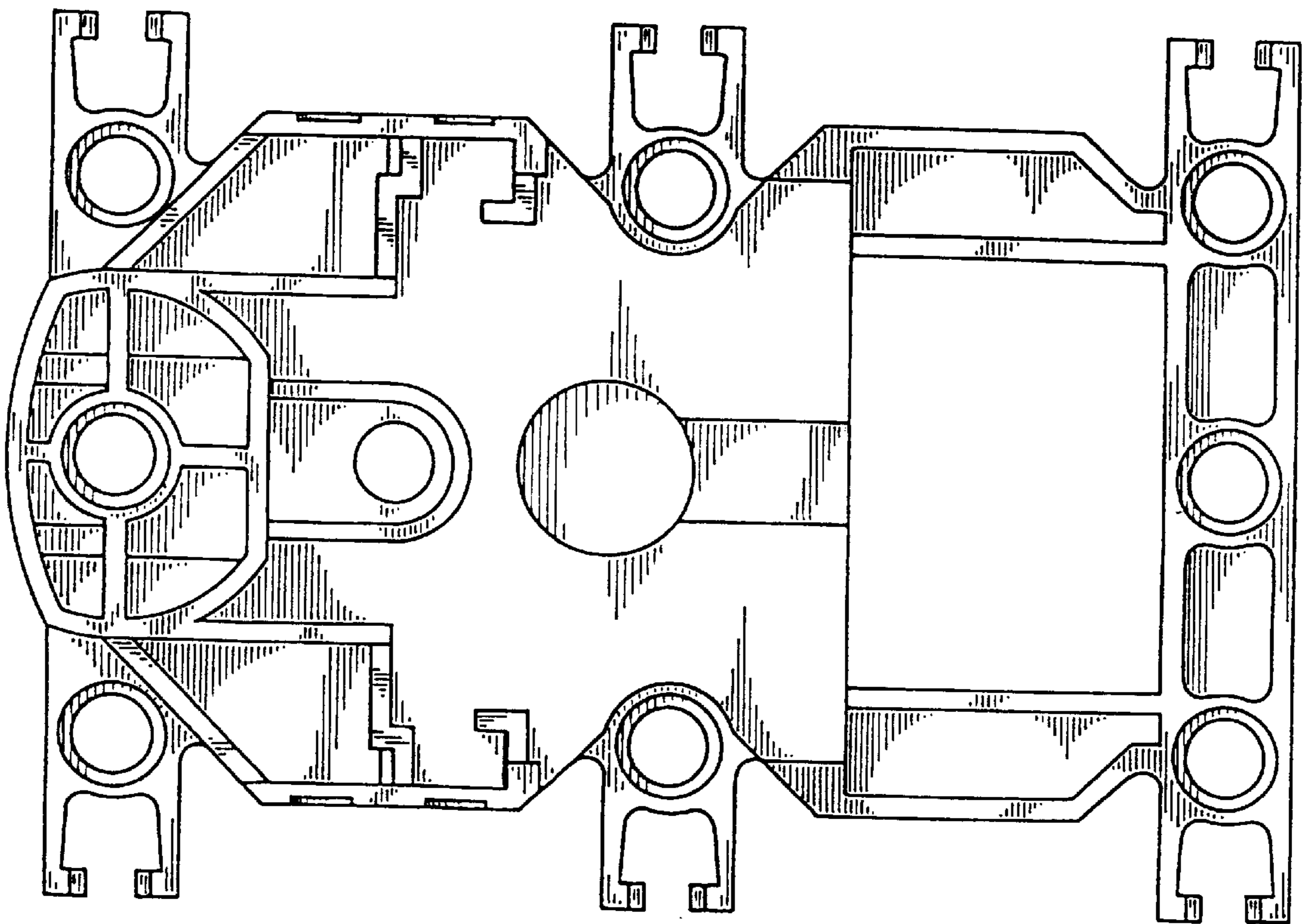


FIG. 6

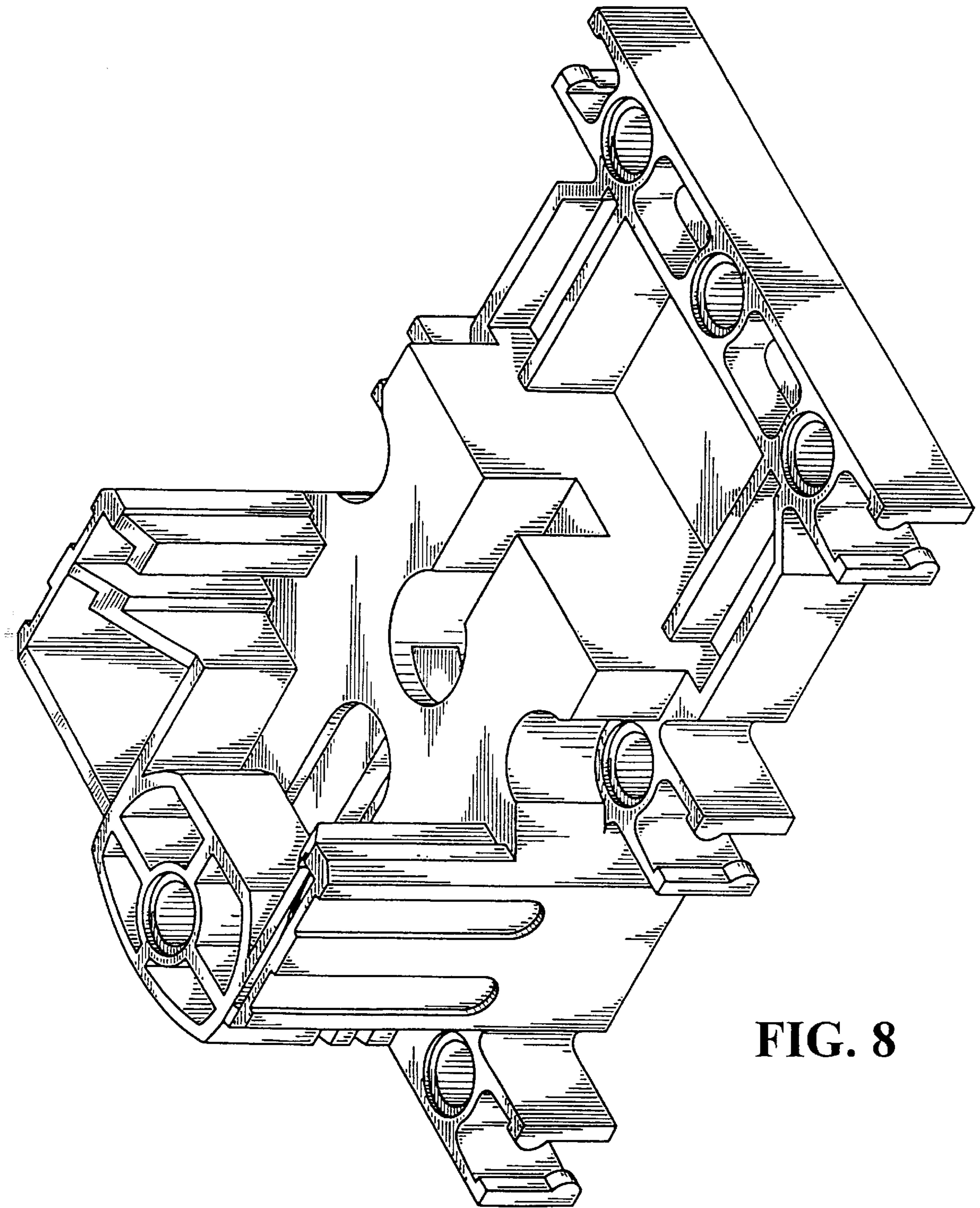


FIG. 8

UNITED STATES PATENT AND TRADEMARK OFFICE
CERTIFICATE OF CORRECTION

PATENT NO. : Des. 410,043
DATED : May 18, 1999
INVENTOR(S) : Pelle Normann Petersen

It is certified that error appears in the above-identified patent and that said Letters Patent is hereby corrected as shown below:

On title page,

After Item[22], please insert the following:

[30] Foreign Application Priority Data
March 18, 1998 [DK] Denmark.....MA 1998 297

Signed and Sealed this
Second Day of November, 1999

Attest:



Q. TODD DICKINSON

Attesting Officer

Acting Commissioner of Patents and Trademarks