



US00D410042S

# United States Patent [19] Toft

[11] Patent Number: **Des. 410,042**

[45] Date of Patent: **\*\* May 18, 1999**

[54] **TOY BUILDING ELEMENT**

[75] Inventor: **Uffe K. Toft**, Aarhus C, Denmark

[73] Assignee: **INTERLEGO AG**, Baar, Switzerland

[\*\*] Term: **14 Years**

[21] Appl. No.: **29/094,993**

[22] Filed: **Oct. 14, 1998**

[51] **LOC (6) Cl.** ..... **21-01**

[52] **U.S. Cl.** ..... **D21/488; D21/498; D21/503**

[58] **Field of Search** ..... **D21/484-505; 446/85, 102, 110, 108, 117, 120-125, 128**

[56] **References Cited**

**U.S. PATENT DOCUMENTS**

D. 197,655	3/1964	Kuhn	.....	D21/498
D. 214,801	7/1969	Adolph	.....	D21/503
D. 241,054	8/1976	Fortier	.....	D21/498
D. 243,204	1/1977	Molenaar	.....	D21/498
D. 260,662	9/1981	Hida	.....	D21/498
D. 377,061	12/1996	Gabriel	.....	D21/498

D. 380,788	7/1997	Gabriel	.....	D21/498
3,866,348	2/1975	Roby et al.	.....	446/121
4,106,657	8/1978	Dogliotti	.....	446/121
5,645,464	7/1997	Chen	.....	446/120

*Primary Examiner*—Raphael Barkai  
*Attorney, Agent, or Firm*—Kane,Dalsimer,Sullivan, Kurucz, Levy, Eisele and Richard, LLP

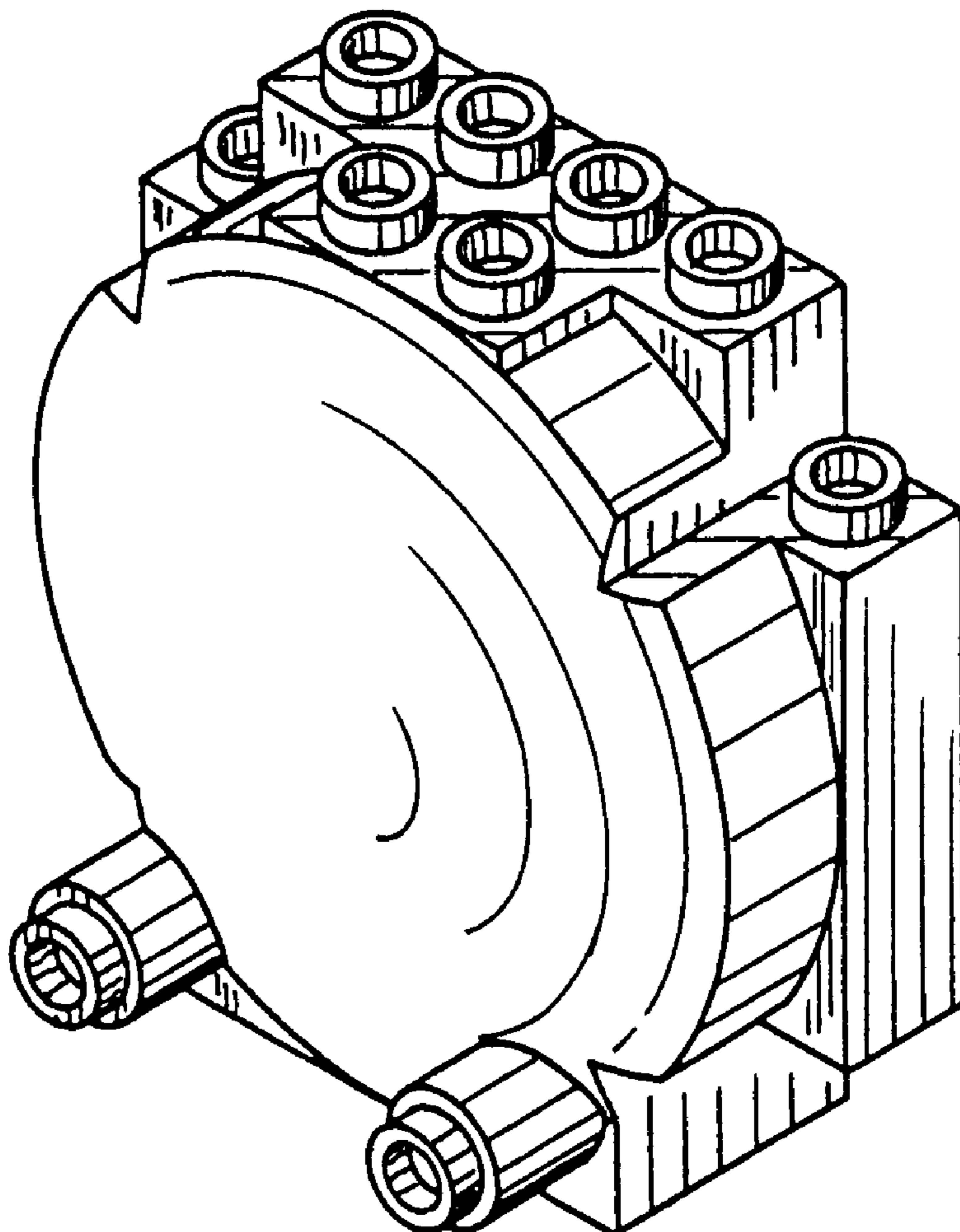
[57] **CLAIM**

The ornamental design for a toy building element, as shown and described.

**DESCRIPTION**

FIG. 1 is a top perspective view of the toy building element, FIG. 2 is a top plan view thereof, FIG. 3 is a front elevational view thereof, FIG. 4 is a bottom plan view thereof, FIG. 5 is a right side elevational view thereof, FIG. 6 is a left side elevational view thereof, FIG. 7 is rear elevational view thereof; and, FIG. 8 is a bottom perspective view thereof.

**1 Claim, 2 Drawing Sheets**



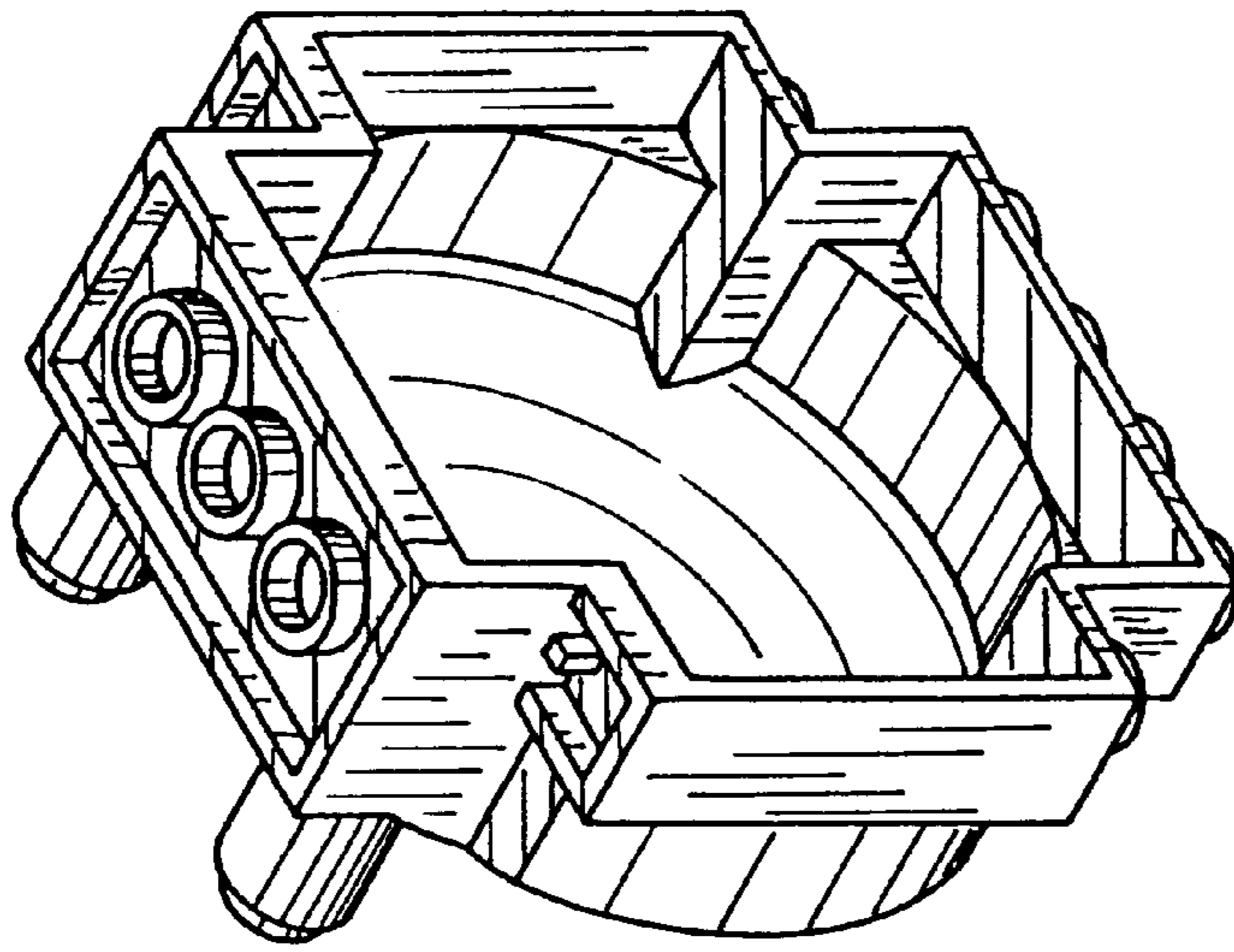


FIG. 8

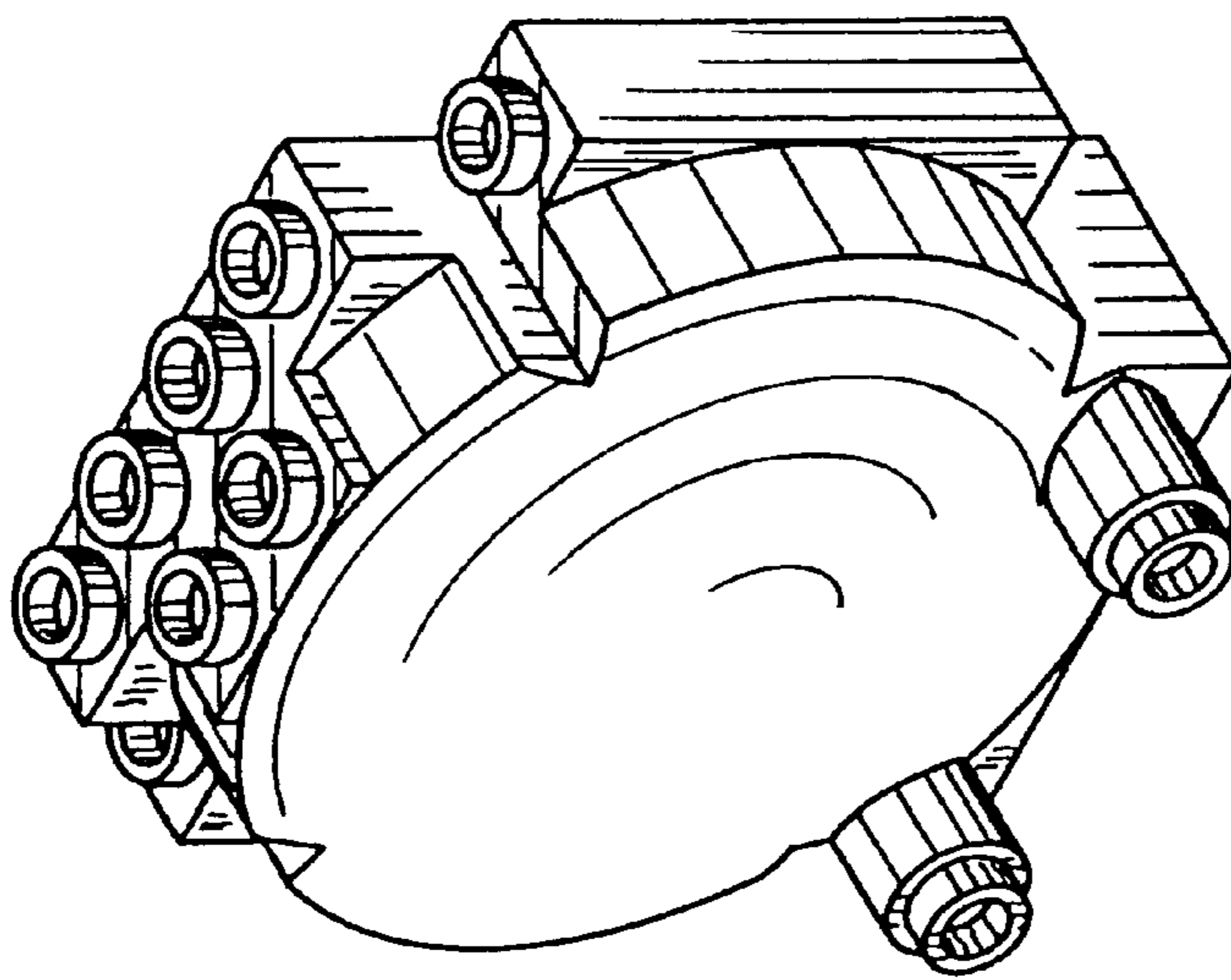


FIG. 1

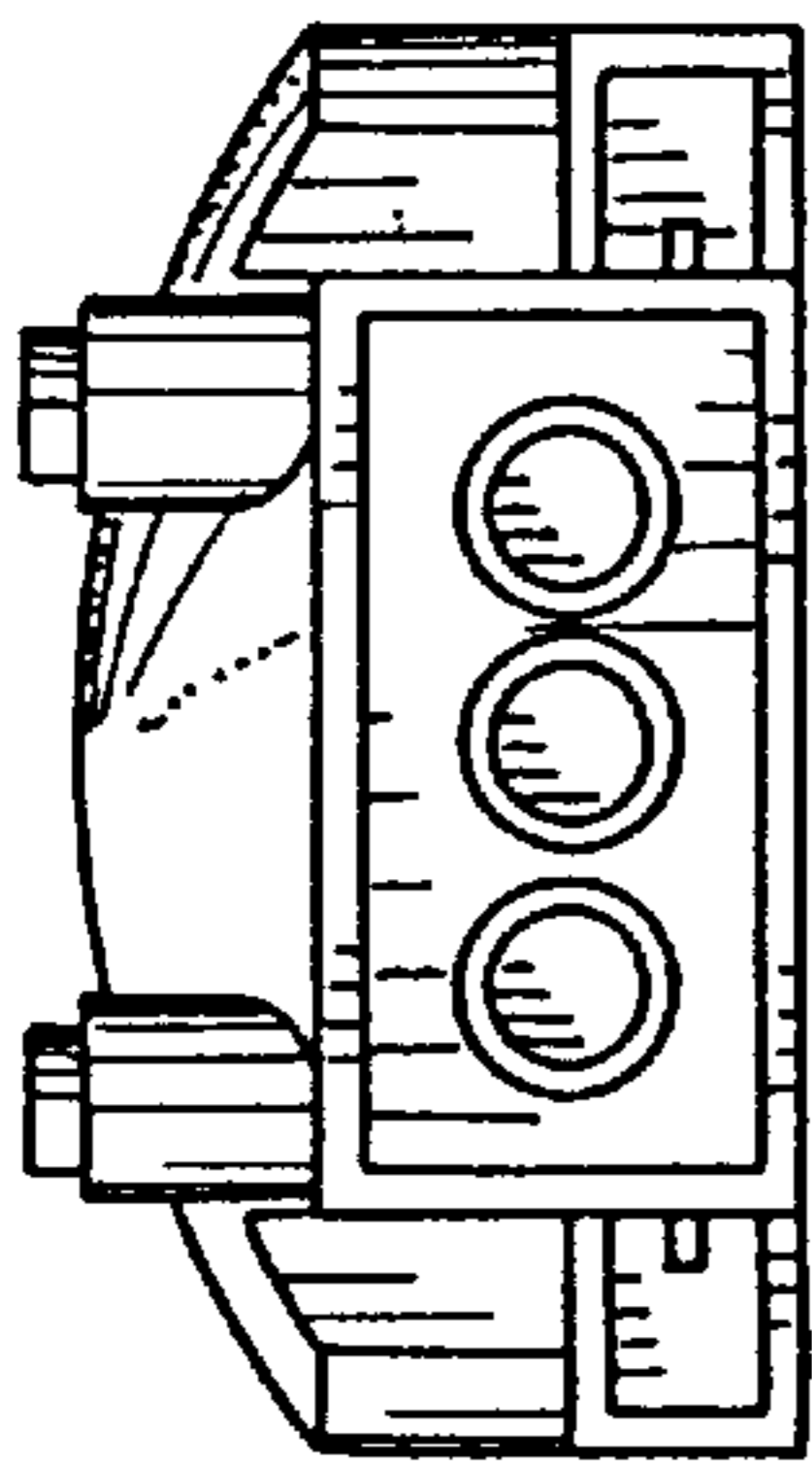


FIG. 4

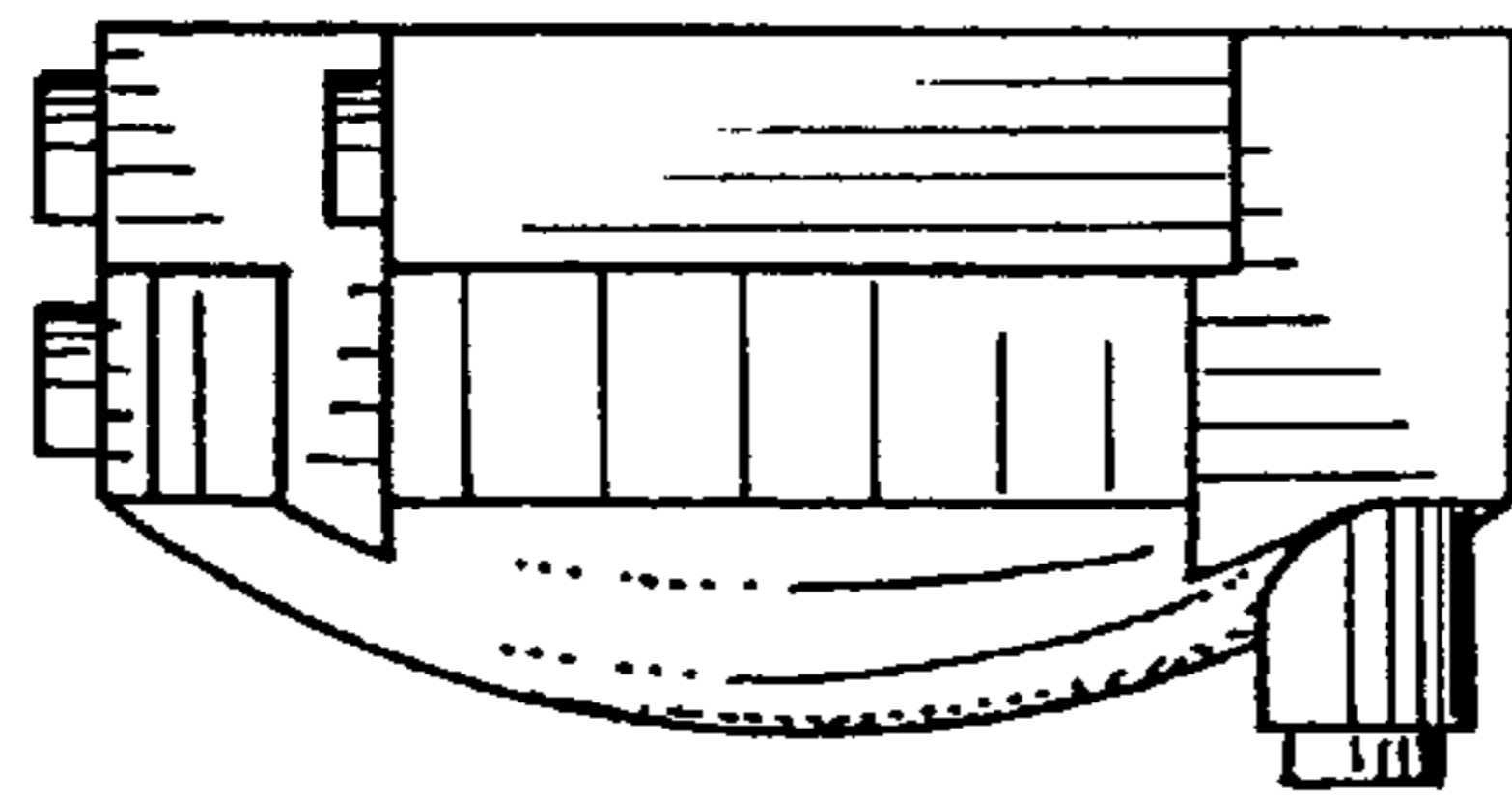


FIG. 6

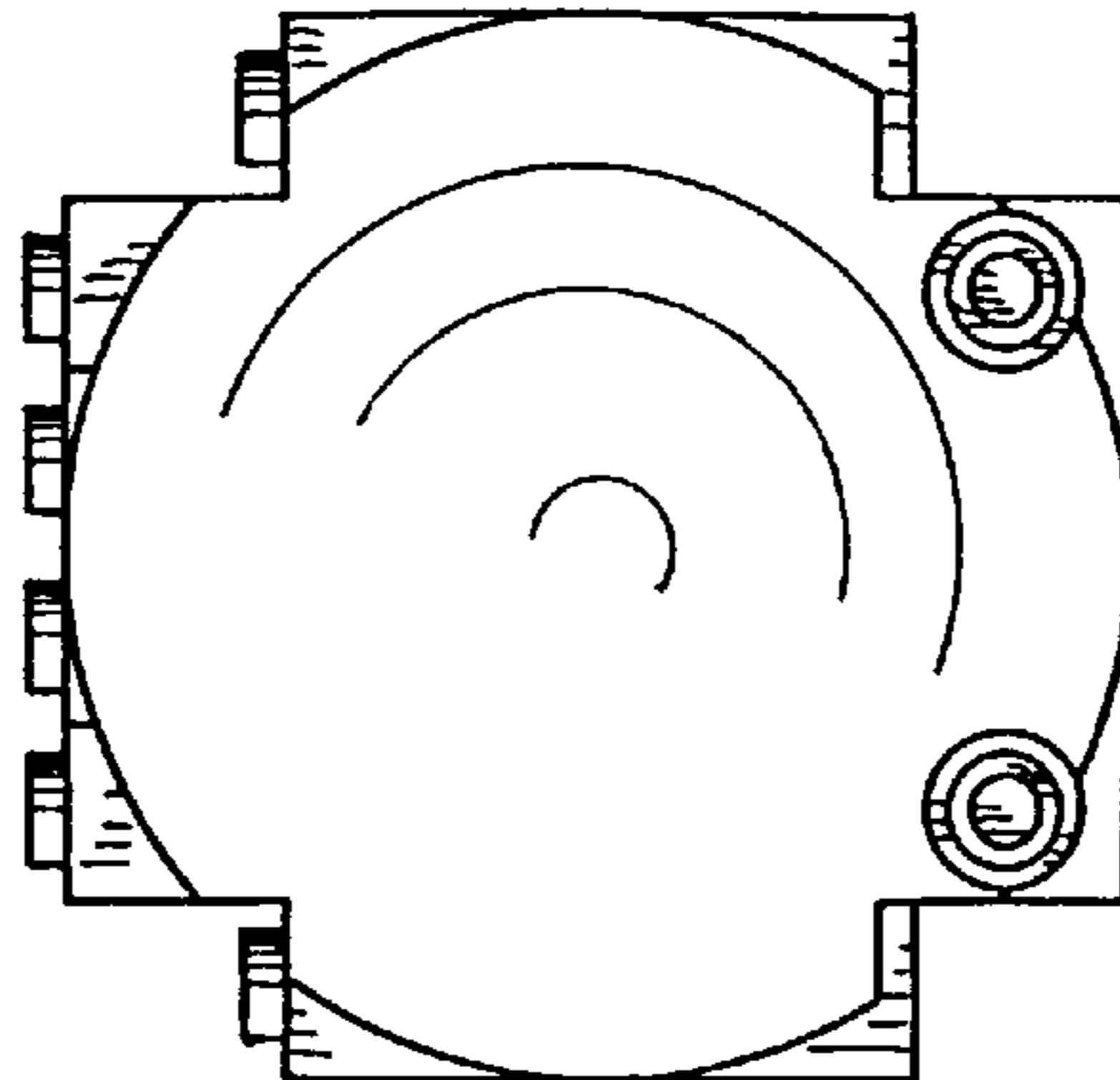


FIG. 3

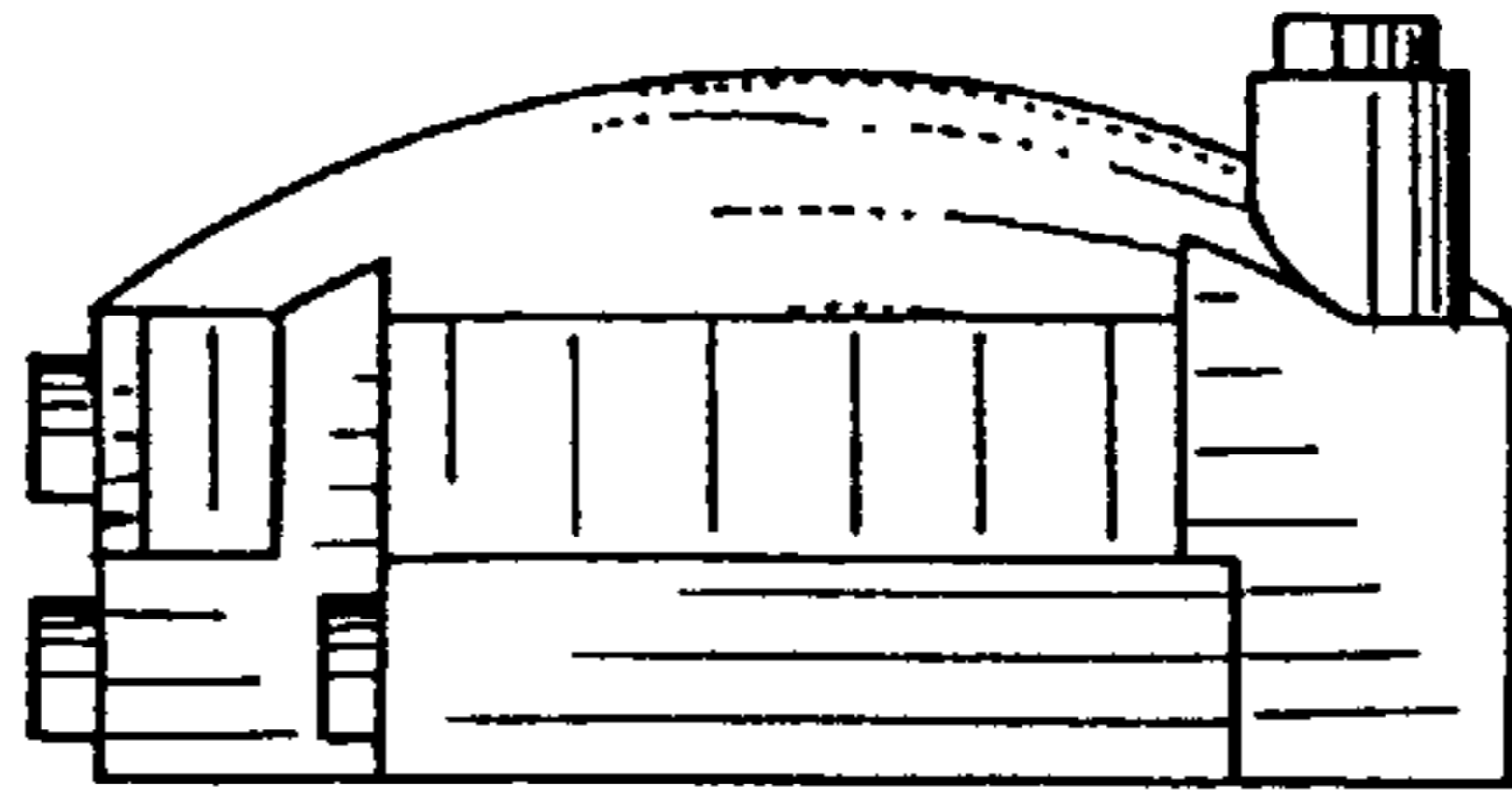


FIG. 5

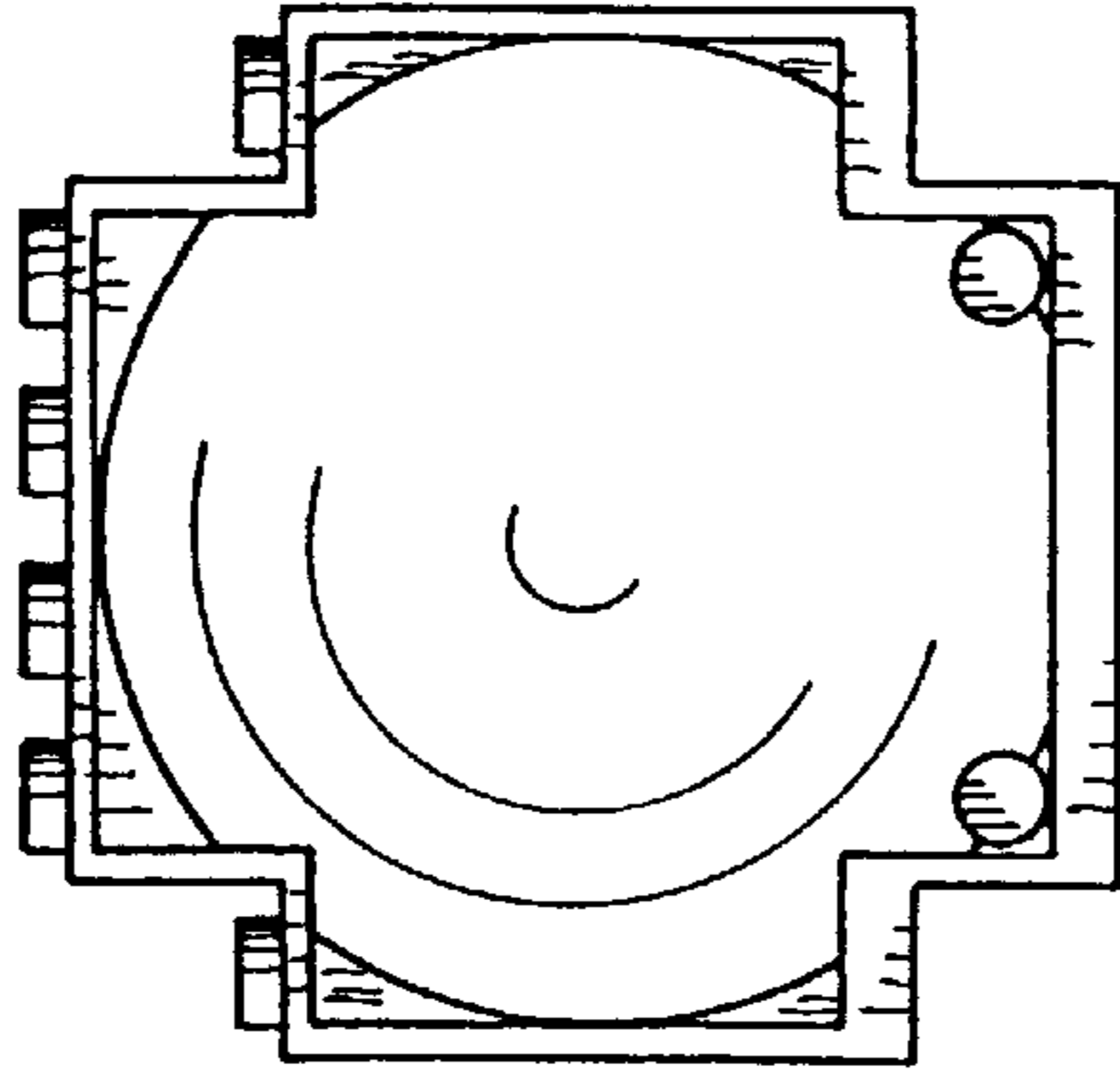


FIG. 7

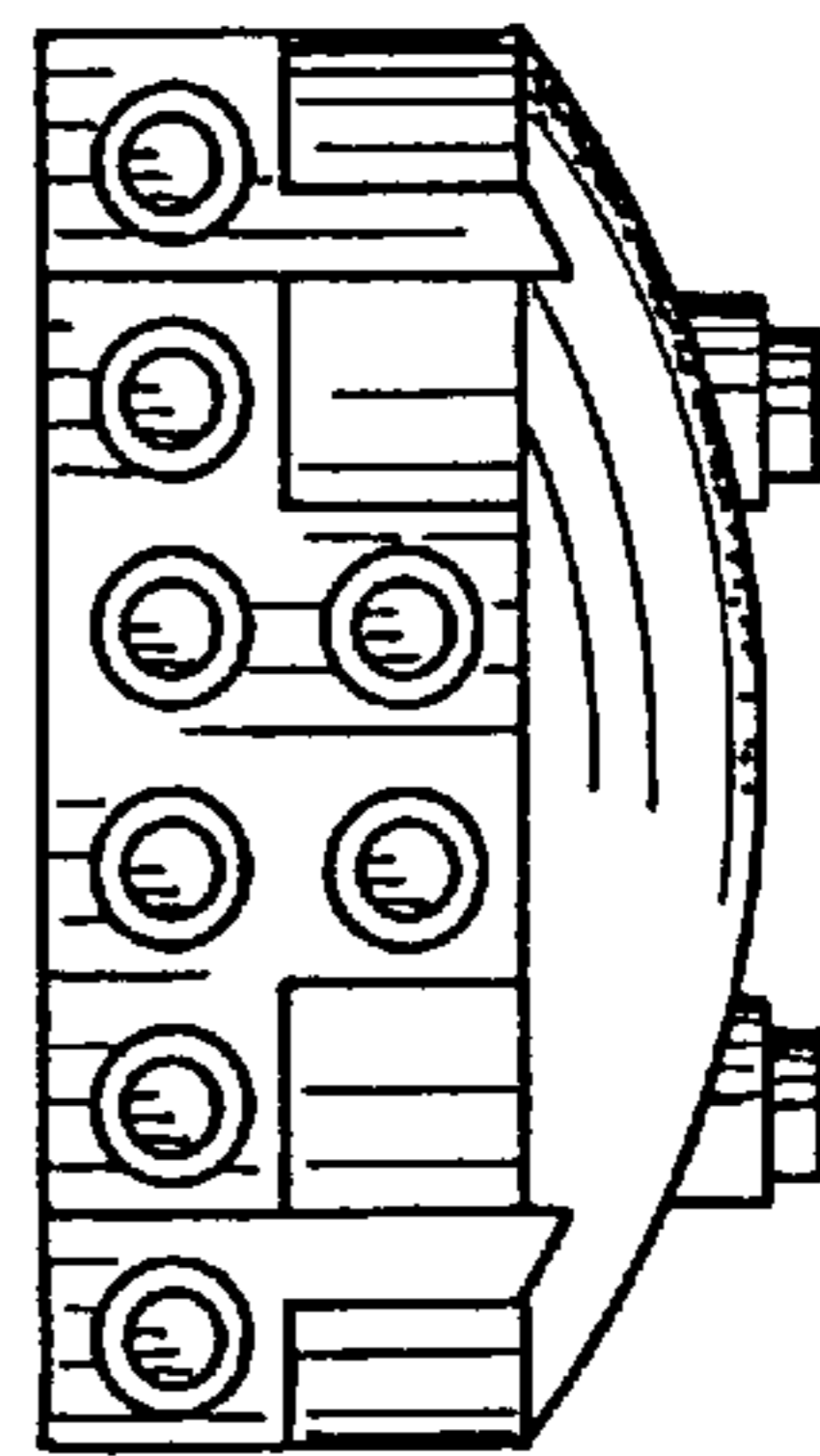


FIG. 2