



US00D410033S

United States Patent [19] Albertson

[11] Patent Number: Des. 410,033

[45] Date of Patent: ** May 18, 1999

[54] **GLUE STICK HOLDER**

[76] Inventor: **Patricia J. Albertson**, 2100 Shadywood Rd., Wayzata, Minn. 55391

[**] Term: **14 Years**

[21] Appl. No.: **29/069,291**

[22] Filed: **Mar. 25, 1997**

[51] **LOC (6) Cl.** **19-06**

[52] **U.S. Cl.** **D19/66; D19/54; D19/70; D8/71**

[58] **Field of Search** D8/71; D19/35, D19/36, 65, 66, 68, 54, 70, 81-85, 99, 100; 401/49, 52, 75, 99, 137, 152, 156, 181, 183, 87, 88, 6, 7; 222/162

[56] **References Cited**

U.S. PATENT DOCUMENTS

D. 196,643	10/1963	Greene	D8/71
D. 202,593	10/1965	Stoy	D19/68
D. 223,968	6/1972	Collura	D19/84 X
D. 290,221	6/1987	Wilson et al.	D8/71
D. 358,422	5/1995	Bedol	D19/66
D. 362,462	9/1995	Carlson et al.	D19/66

D. 390,241	2/1998	Mori	D8/71 X
1,119,233	12/1914	Boone	222/162
2,104,364	1/1938	Coryell	.	
2,371,808	3/1945	Swart	.	
3,853,411	12/1974	Ciraolo	.	
3,912,403	10/1975	Gjerloff	.	
3,933,271	1/1976	McGhie	.	
4,552,063	11/1985	Bronson	.	
5,499,736	3/1996	Kohl	.	

Primary Examiner—Martie K. Holtje

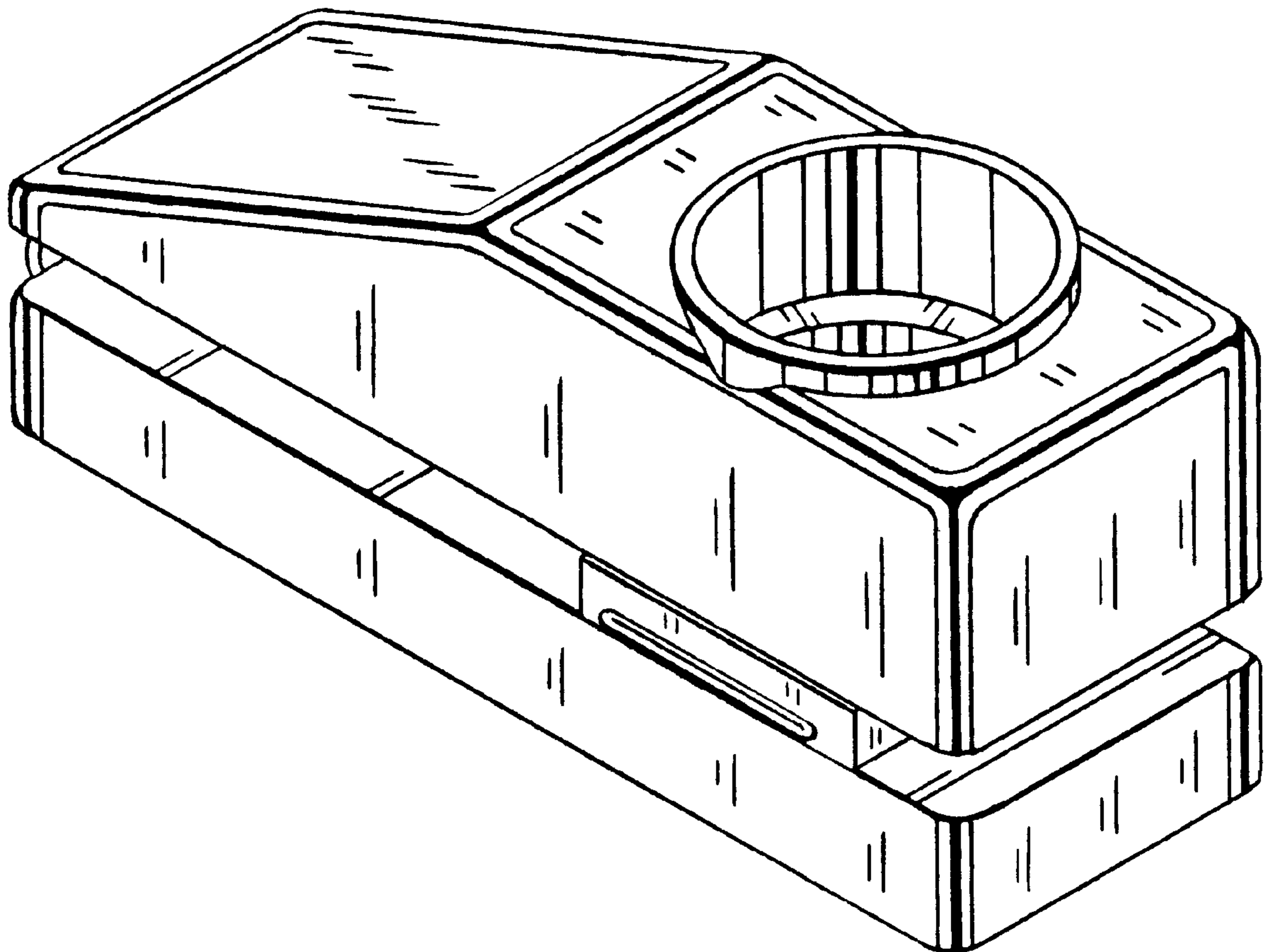
[57] **CLAIM**

The ornamental design of a glue stick holder, as shown and described.

DESCRIPTION

FIG. 1 is a perspective view of the glue stick holder showing my new design;
 FIG. 2 is a side elevational view thereof, the opposite side being a mirror image thereof;
 FIG. 3 is a top plan view thereof;
 FIG. 4 is a bottom plan view thereof;
 FIG. 5 is a front elevational view thereof; and,
 FIG. 6 is a rear elevational view thereof.

1 Claim, 3 Drawing Sheets



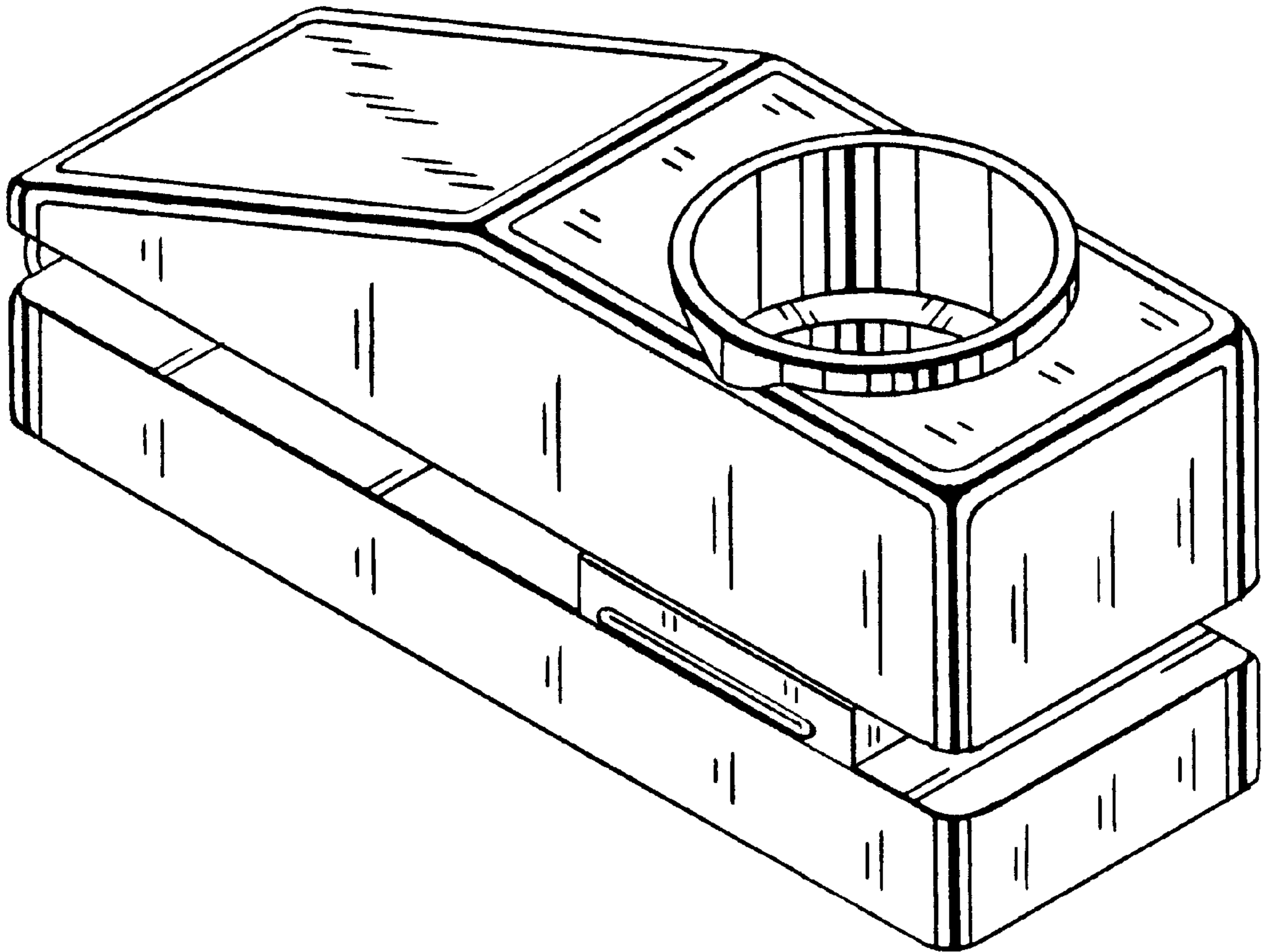


FIG. 1

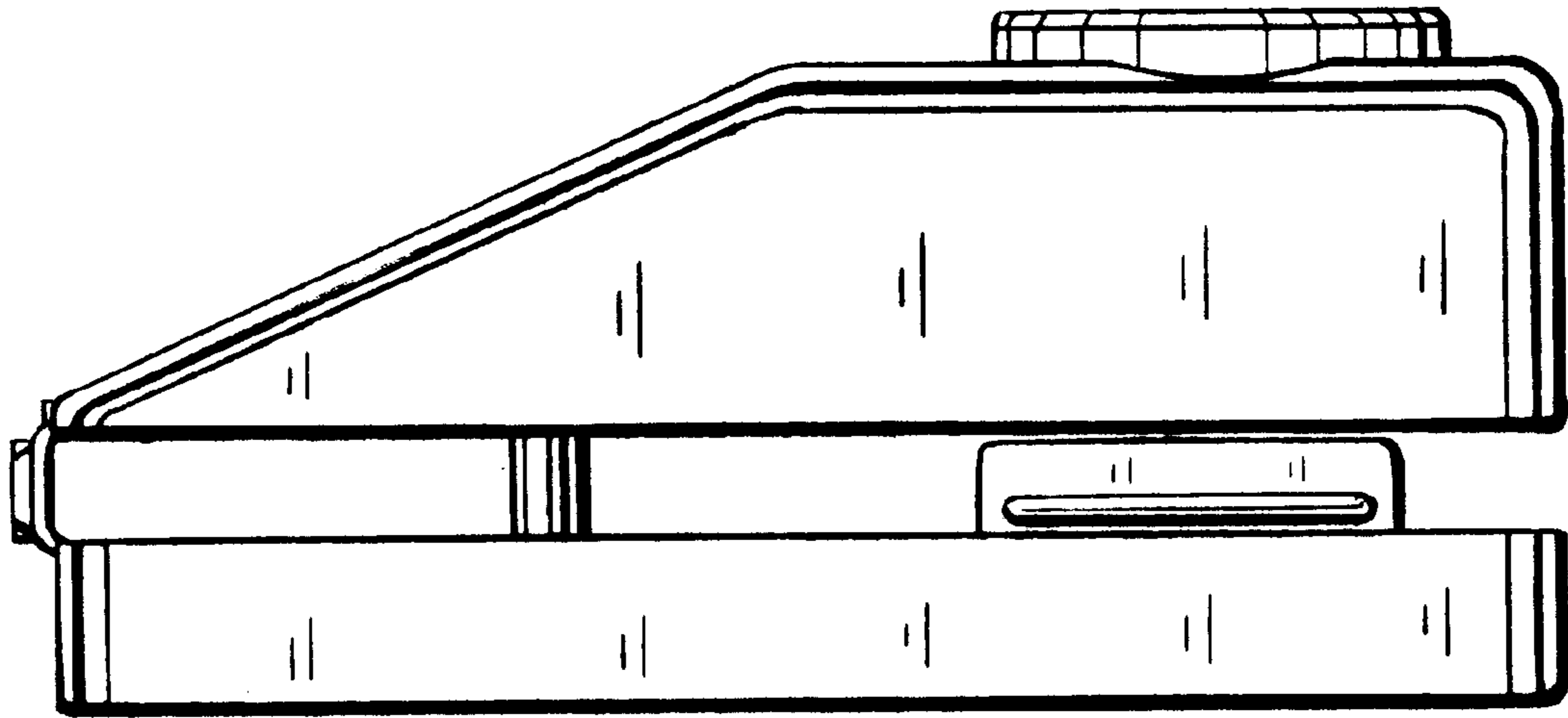


FIG. 2

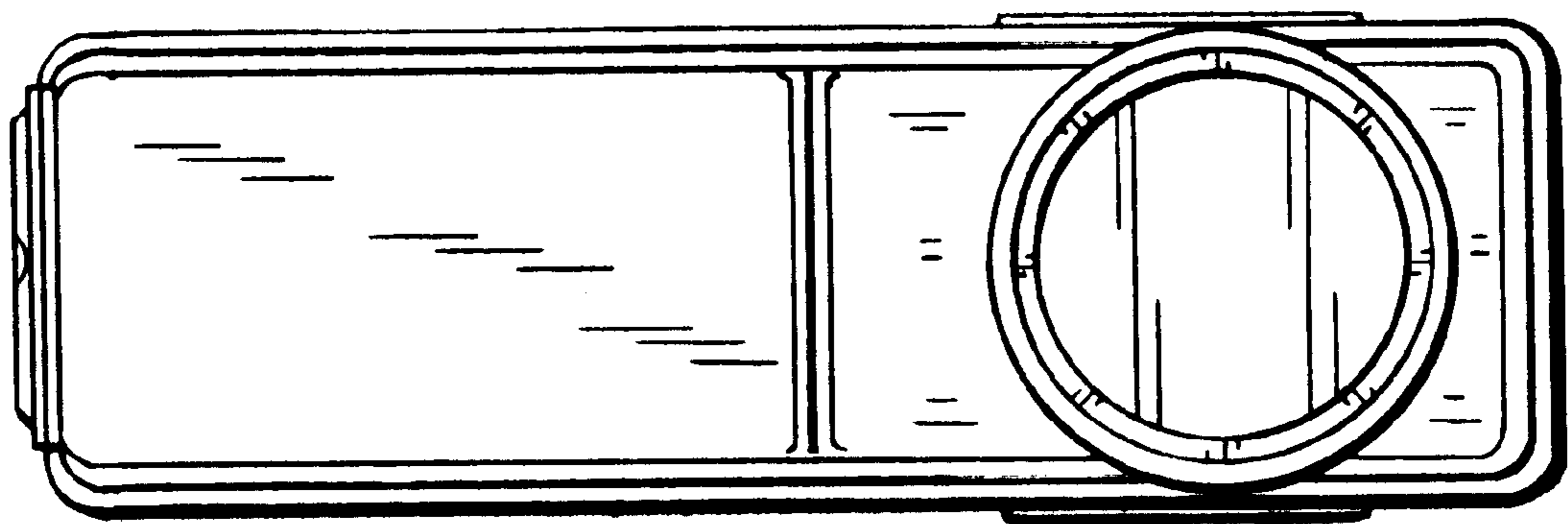


FIG. 3

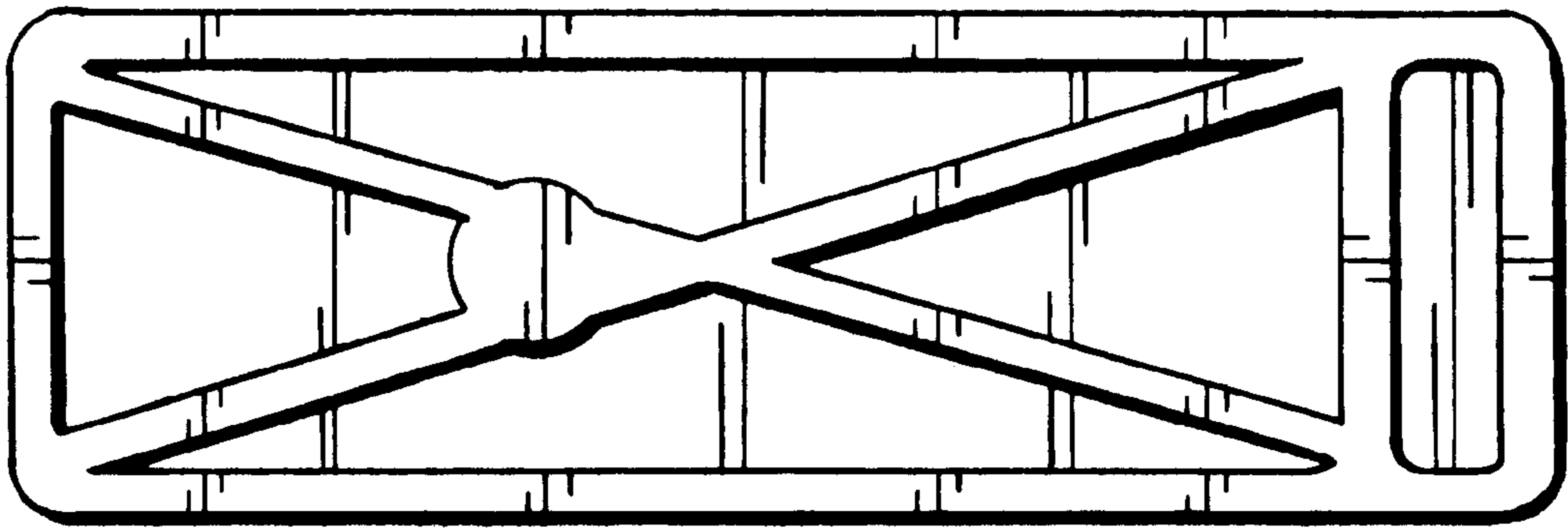


FIG. 4

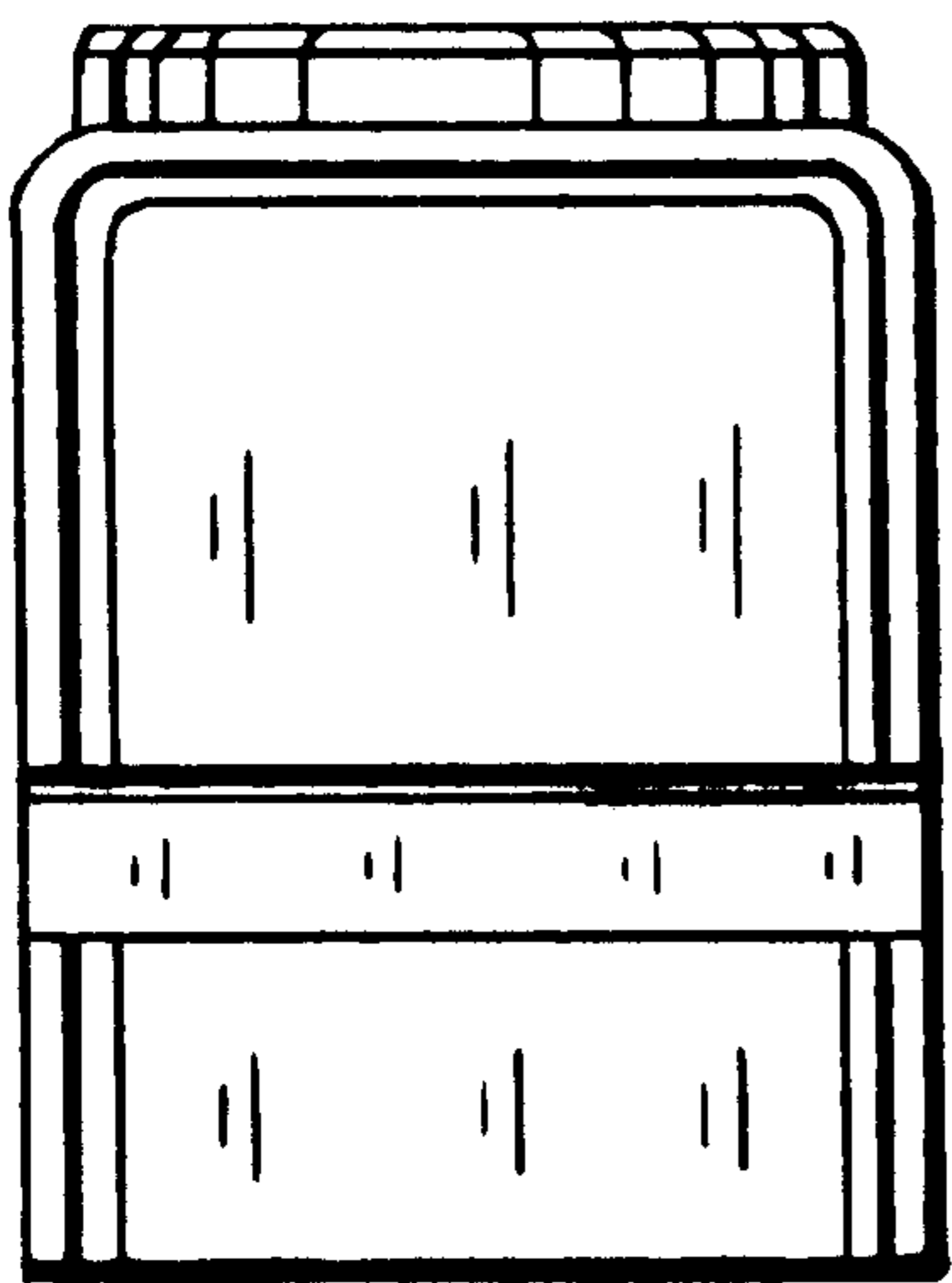


FIG. 5

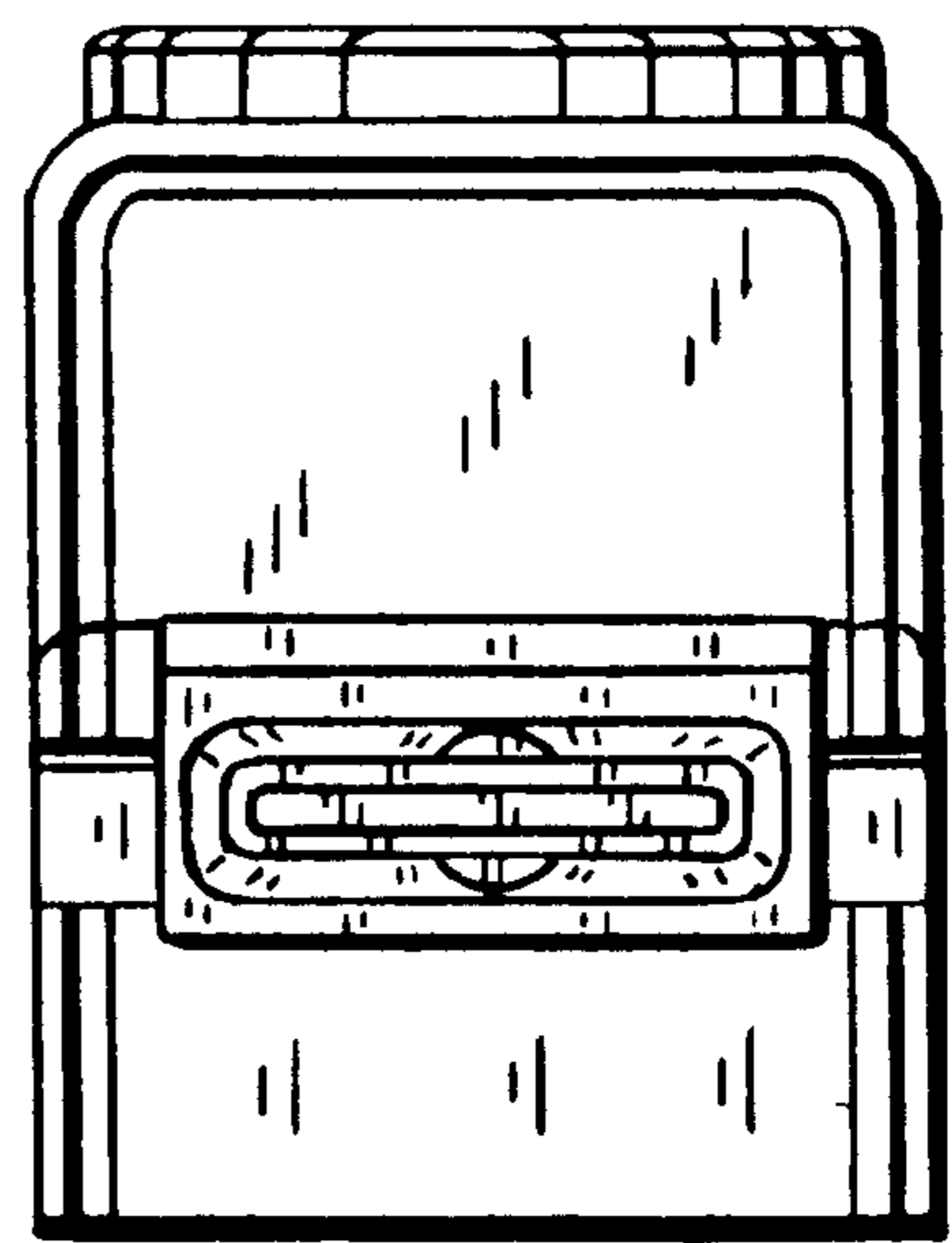


FIG. 6