



US00D410032S

United States Patent [19]

Wagner et al.

[11] Patent Number: Des. 410,032

[45] Date of Patent: ** May 18, 1999

[54] PUSH PIN

[75] Inventors: **David Wagner**, 800 Bromley Rd., Charlotte, N.C. 28207; **Christa Wagner**, Charlotte, N.C.

[73] Assignee: **David Wagner**, Charlotte, N.C.

[**] Term: **14 Years**

[21] Appl. No.: **29/097,622**

[22] Filed: **Dec. 10, 1998**

Related U.S. Application Data

[62] Division of application No. 29/081,626, Jan. 7, 1998.

[51] LOC (6) Cl. **19-02**

[52] U.S. Cl. **D19/65; D8/391; D8/388; D19/86**

[58] Field of Search D8/349, 382, 388, D8/389, 390, 391, 392, 393; D19/65, 86, 99, 100; 411/439, 473, 480-488, 500; 24/706, 711.4, 711.3; 472/51; 52/157

[56] References Cited

U.S. PATENT DOCUMENTS

| | | | | |
|------------|---------|--------|-------|--------|
| D. 26,960 | 4/1897 | Walker | | D8/391 |
| D. 38,352 | 2/1906 | Wyman | | D8/391 |
| 112,378 | 3/1871 | Porter | . | |
| D. 149,099 | 3/1948 | Sweet | . | |
| D. 188,950 | 10/1960 | Miller | . | |
| D. 243,580 | 3/1977 | DeCaro | . | |
| D. 275,555 | 9/1984 | Giggey | | D8/388 |
| D. 286,612 | 11/1986 | Adams | | D8/391 |

| | | | |
|-----------|---------|-----------------|---|
| 482,257 | 9/1892 | Larkin | . |
| 816,095 | 3/1906 | House | . |
| 1,182,305 | 5/1916 | Norcross | . |
| 1,207,960 | 12/1916 | McNeill | . |
| 1,338,154 | 4/1920 | Pipkin | . |
| 1,991,561 | 2/1935 | Krantz | . |
| 2,266,432 | 12/1941 | Morin | . |
| 3,205,757 | 9/1965 | Kuennen | . |
| 3,361,461 | 1/1968 | MacPhail | . |
| 5,370,487 | 12/1994 | Kracke | . |
| 5,575,122 | 11/1996 | Hamilton et al. | . |

Primary Examiner—Martie K. Holtje
Attorney, Agent, or Firm—Alston & Bird LLP

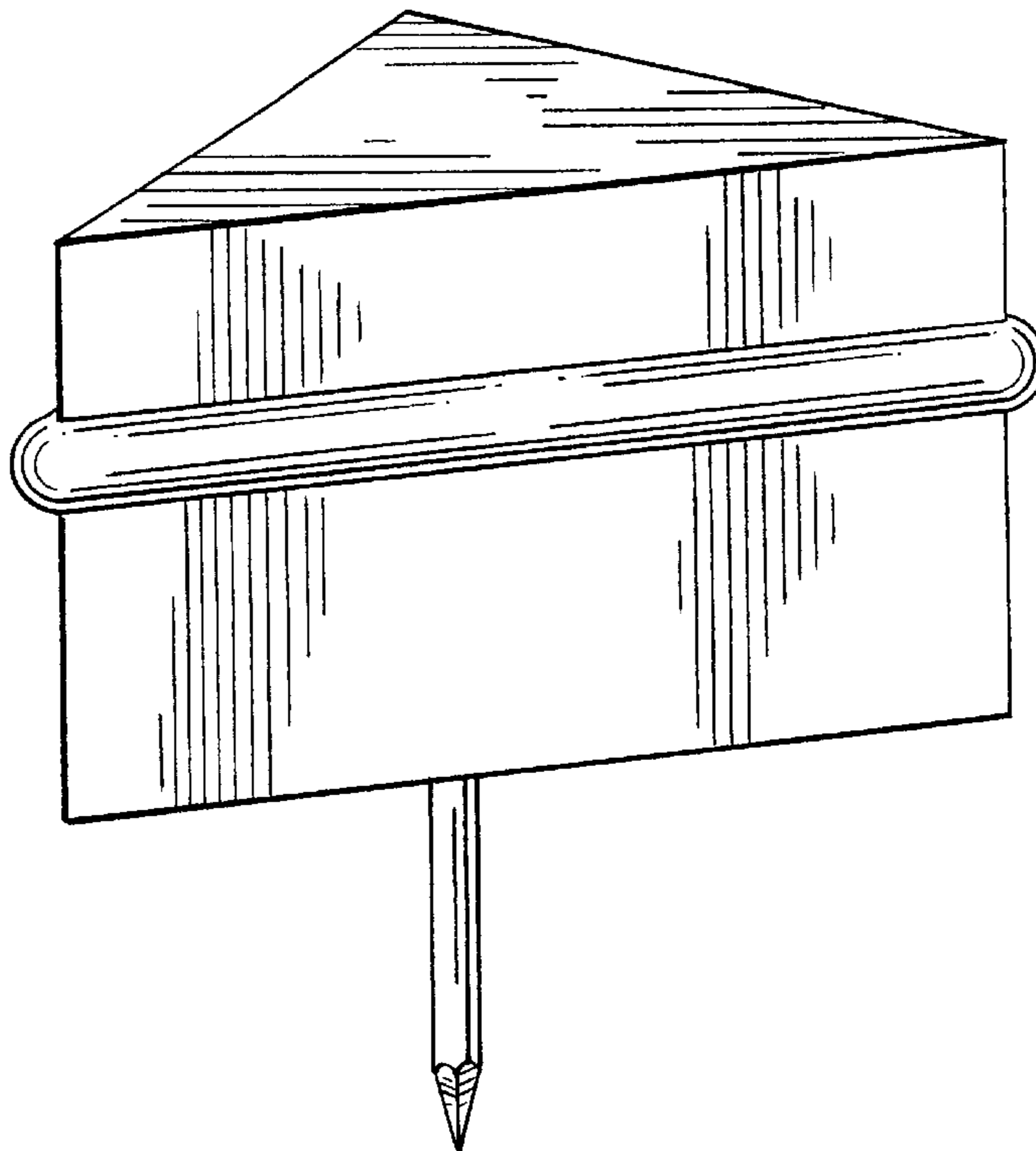
[57] CLAIM

The ornamental design for a push pin, as shown and described.

DESCRIPTION

FIG. 1 is a perspective view of a push pin showing our new design;
 FIG. 2 is a top plan view;
 FIG. 3 is a left side elevational view;
 FIG. 4 is a bottom plan view;
 FIG. 5 is a front elevational view;
 FIG. 6 is a right side elevational view;
 FIG. 7 is a perspective view of a second embodiment of our design of FIG. 1;
 FIG. 8 is a top plan view;
 FIG. 9 is a left side elevational view;
 FIG. 10 is a bottom plan view;
 FIG. 11 is a front elevational view; and,
 FIG. 12 is a right side elevational view.

1 Claim, 6 Drawing Sheets



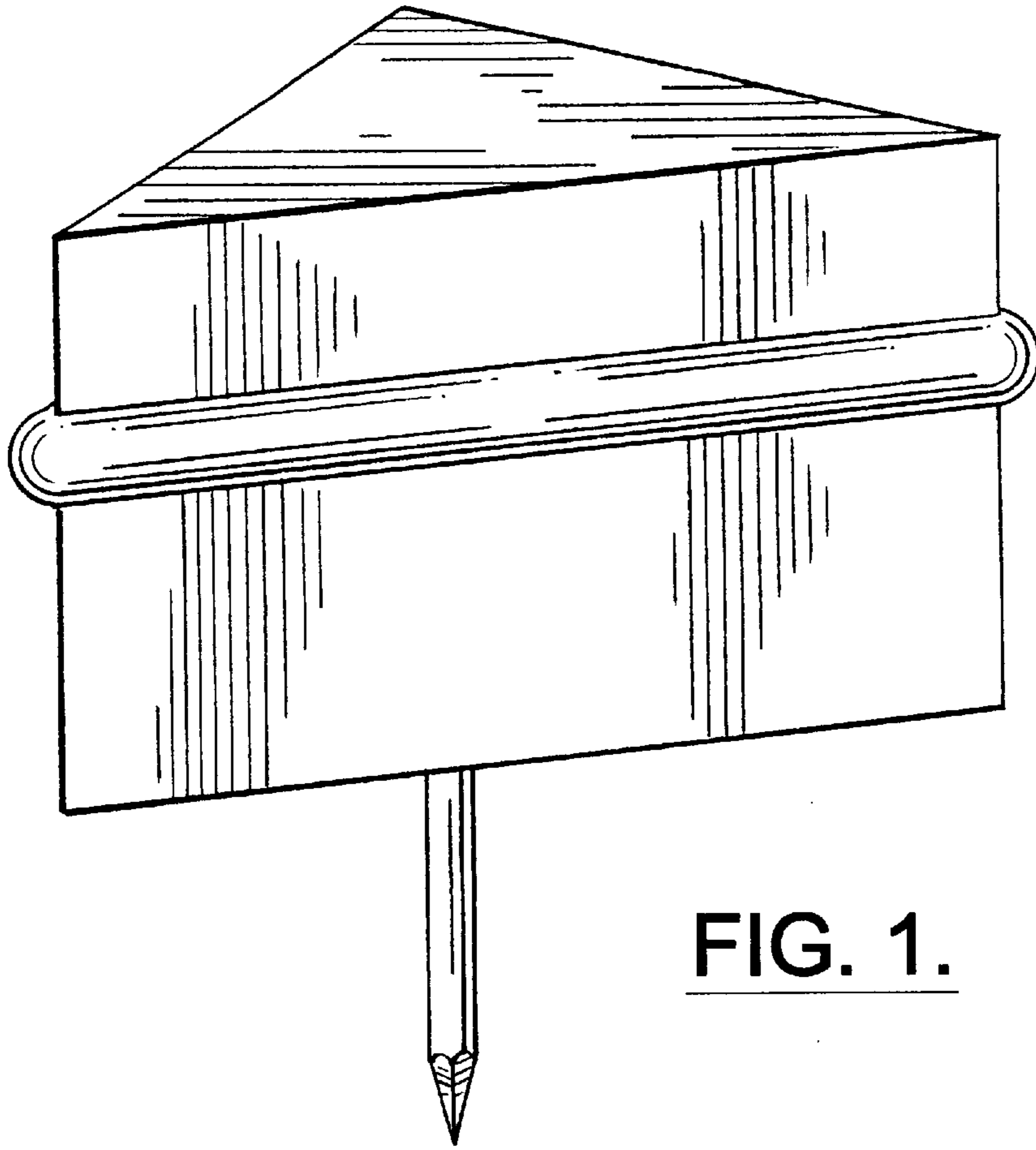


FIG. 1.

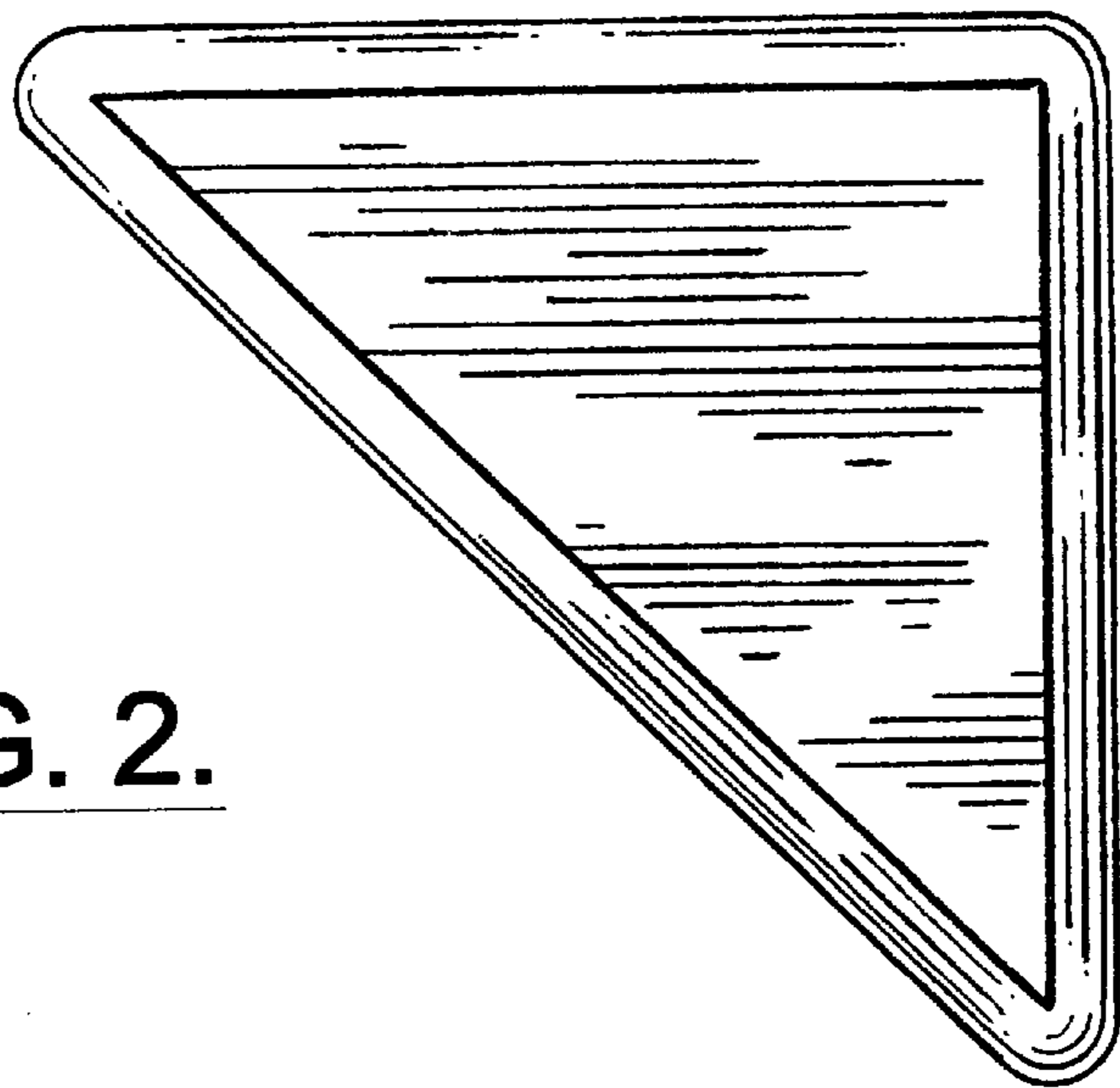


FIG. 2.

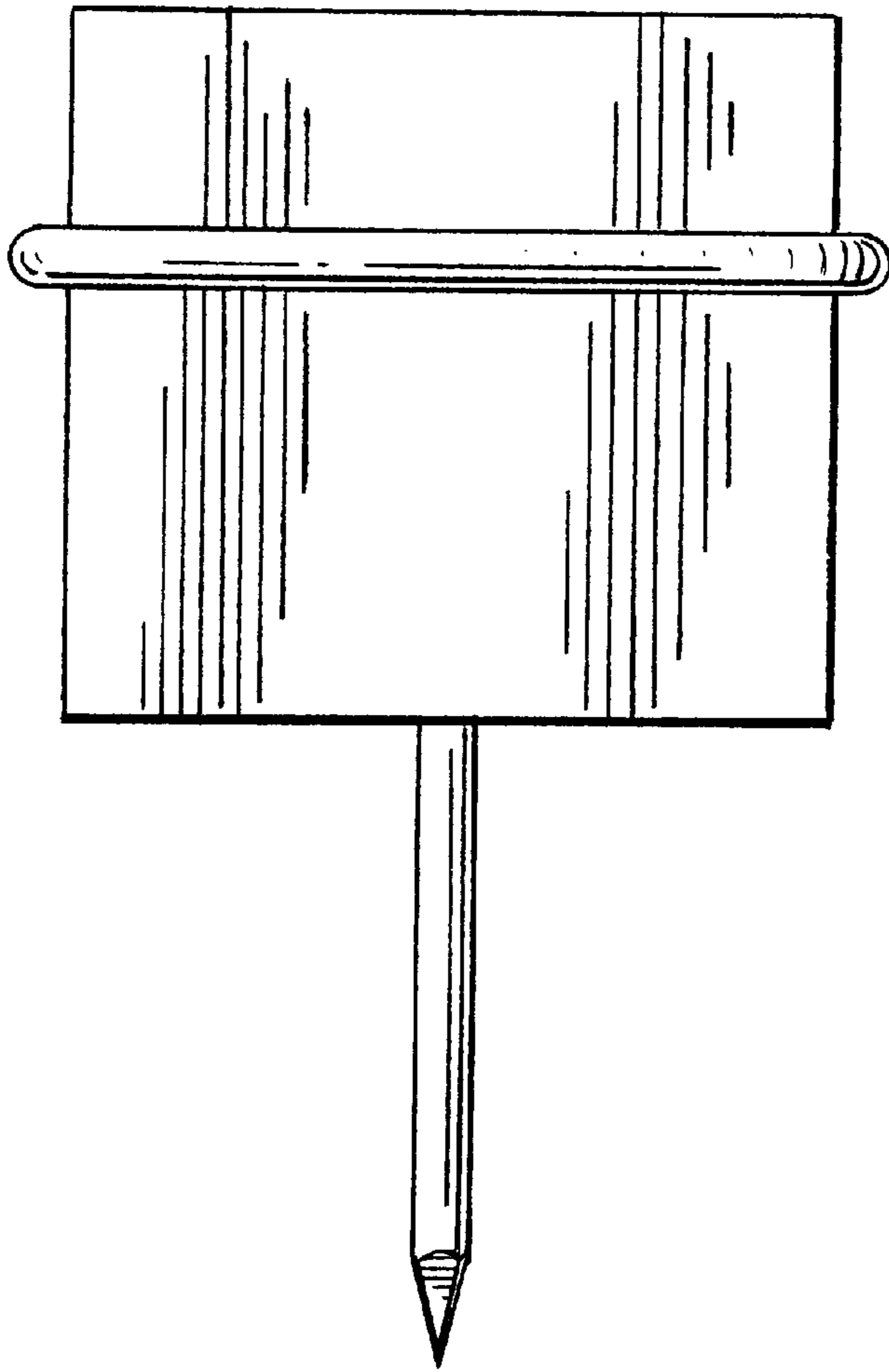


FIG. 3.

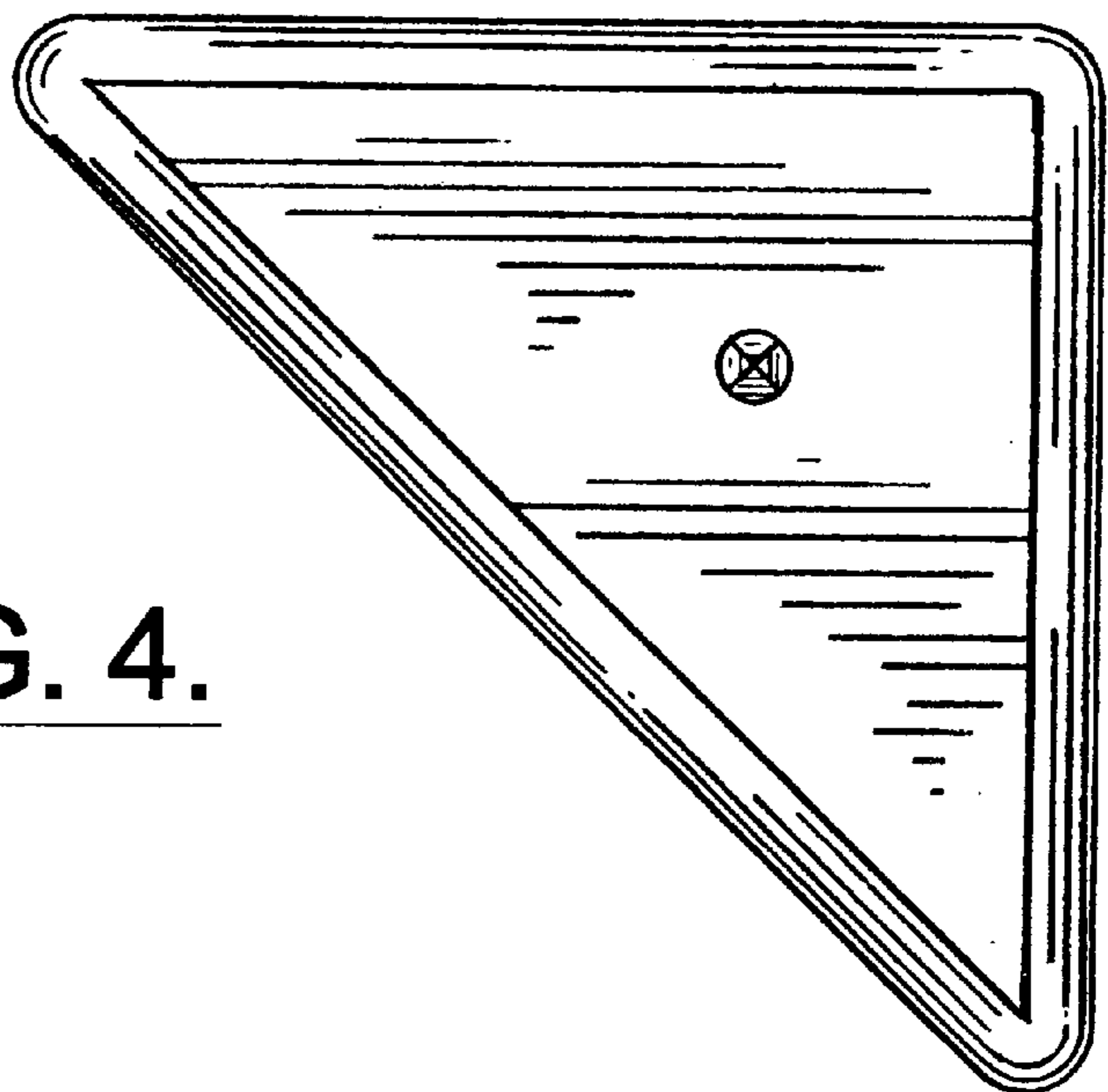


FIG. 4.

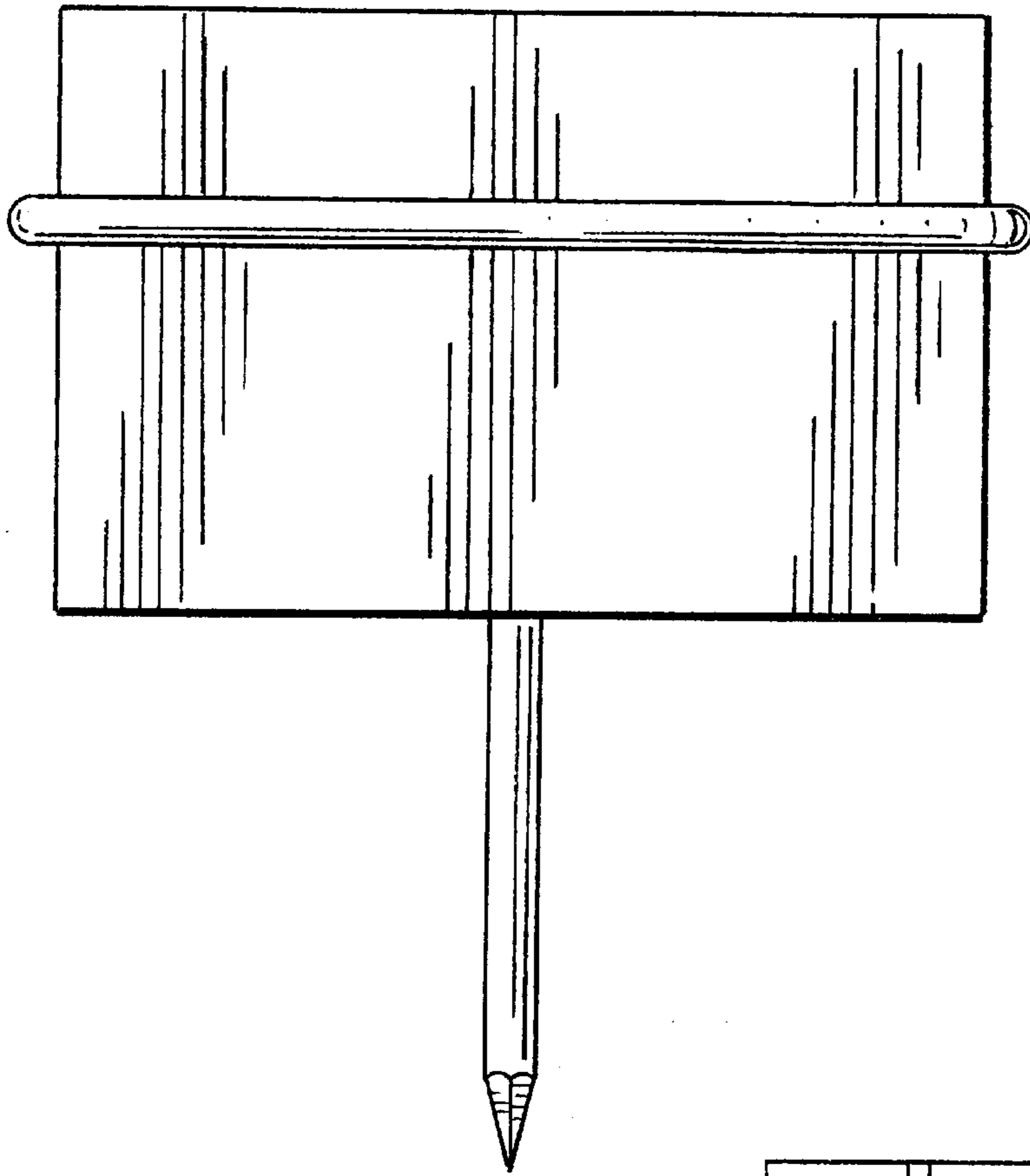


FIG. 5.

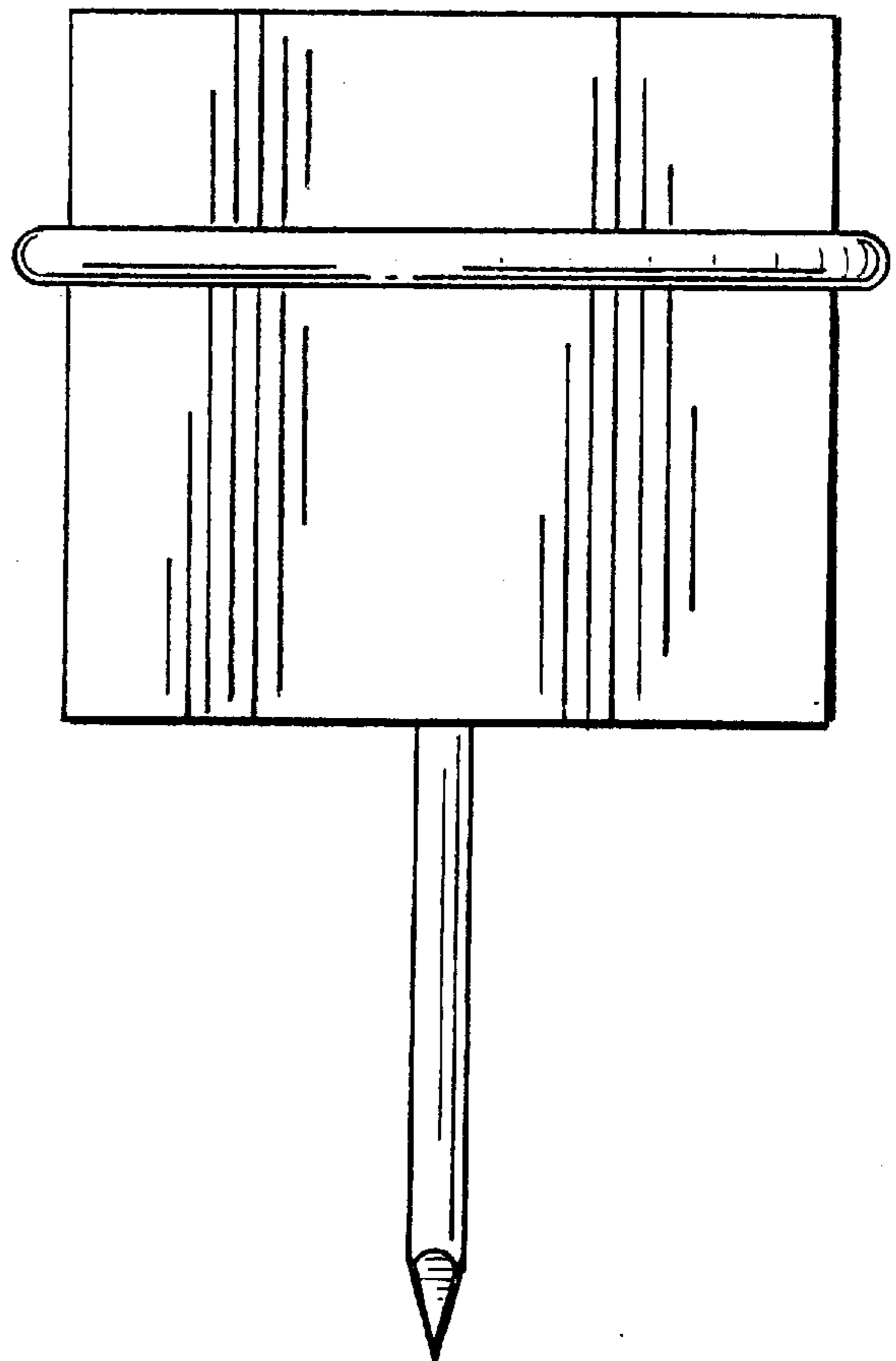


FIG. 6.

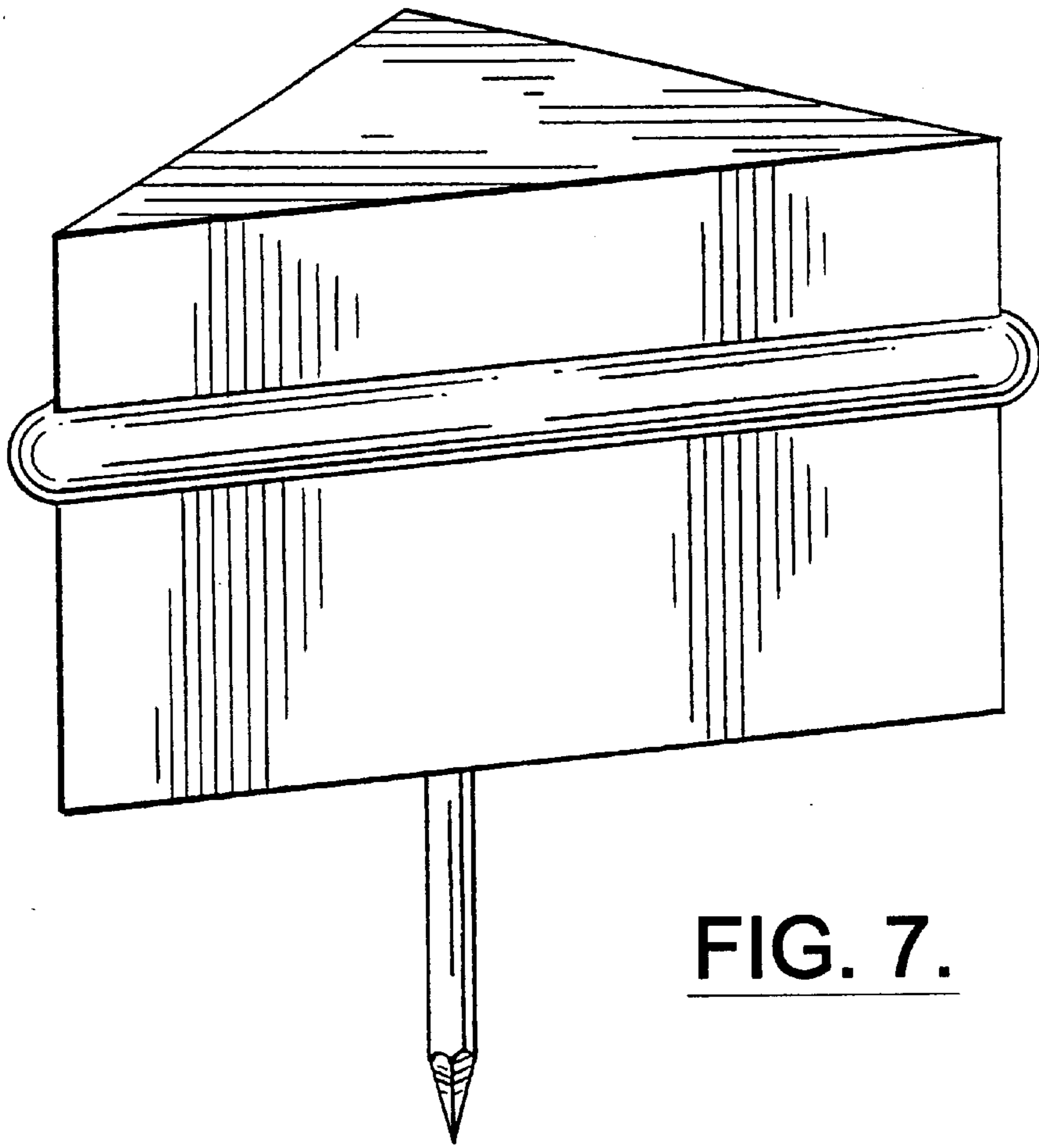


FIG. 7.

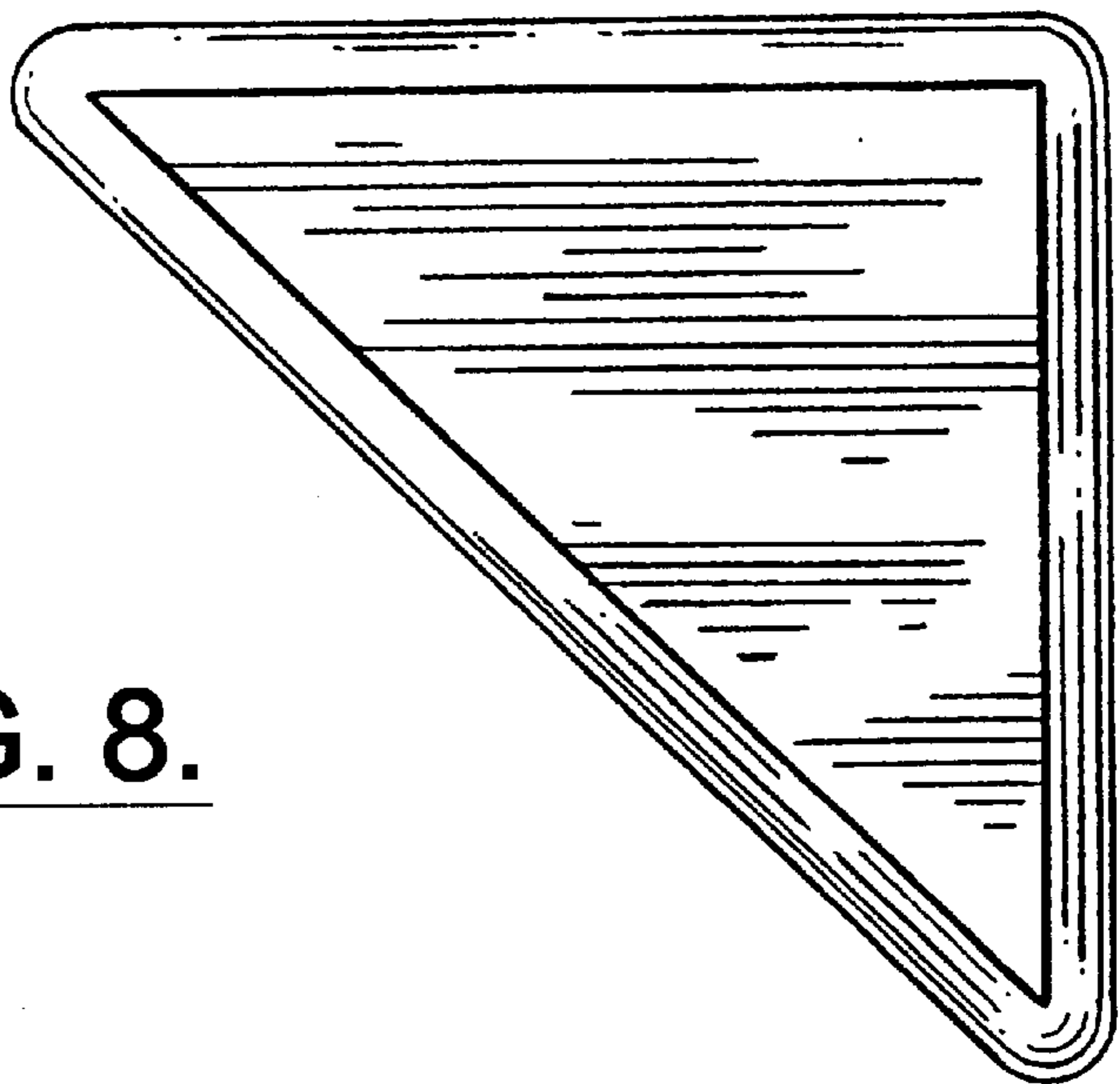


FIG. 8.

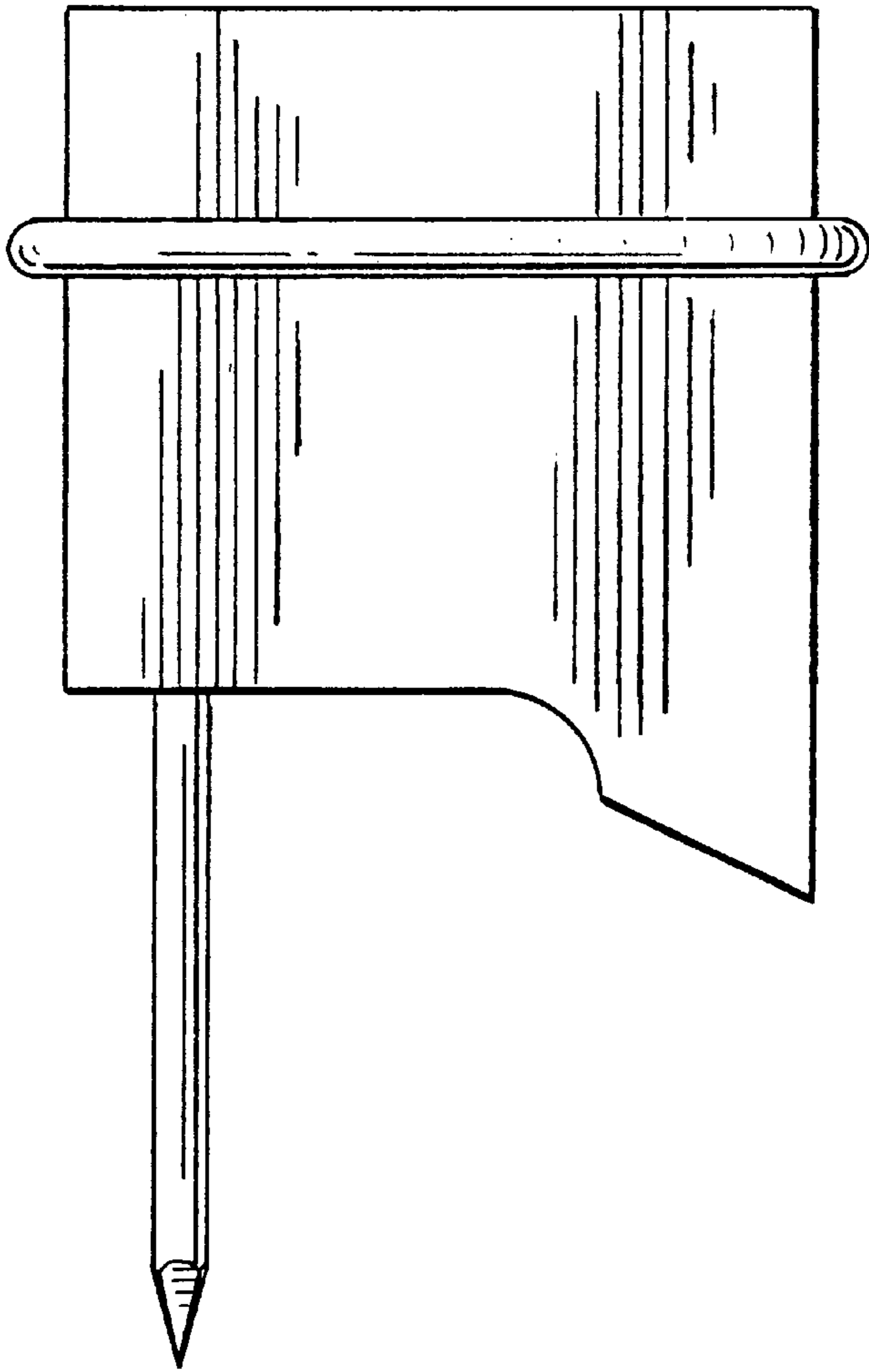


FIG. 9.

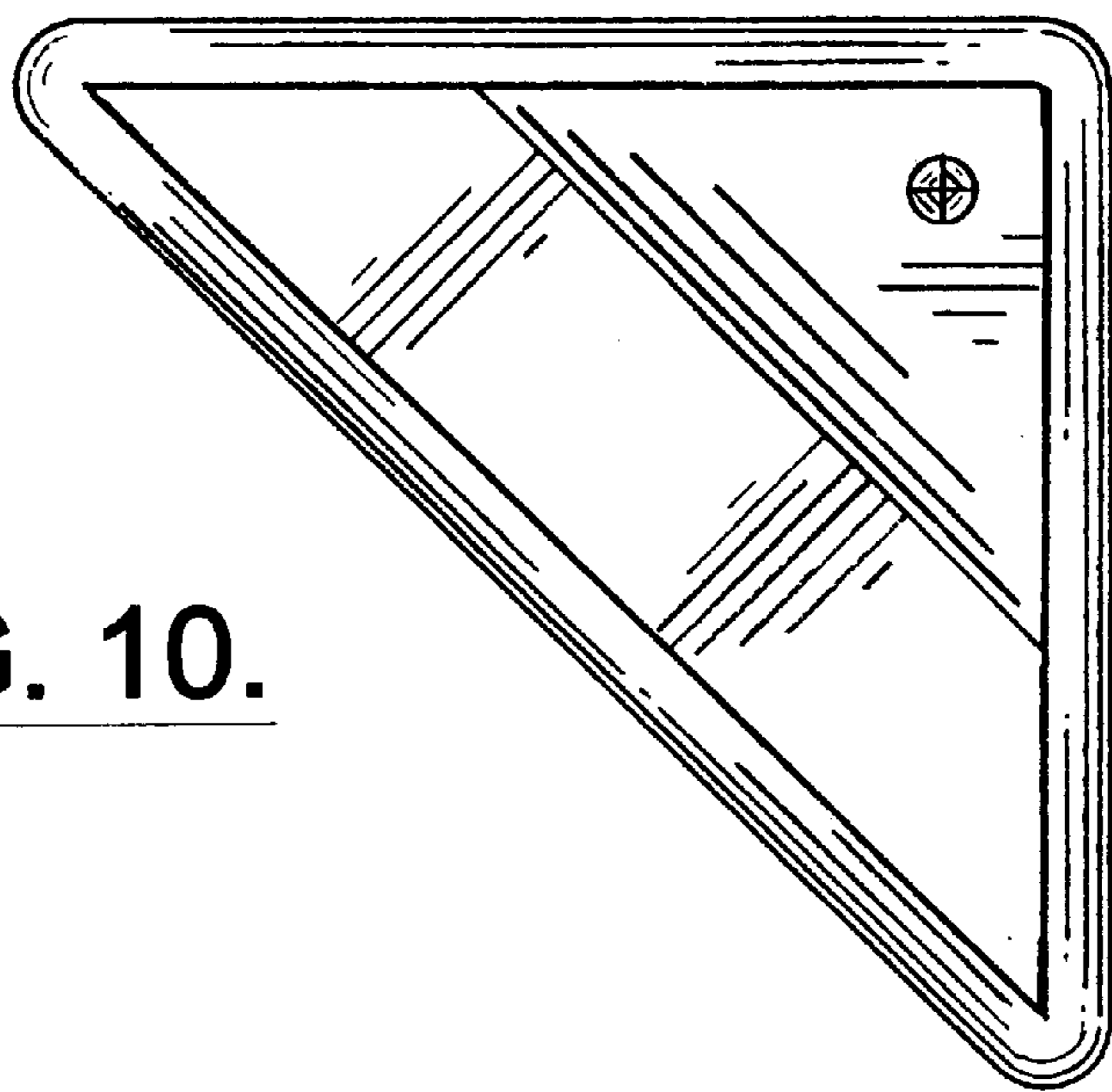


FIG. 10.

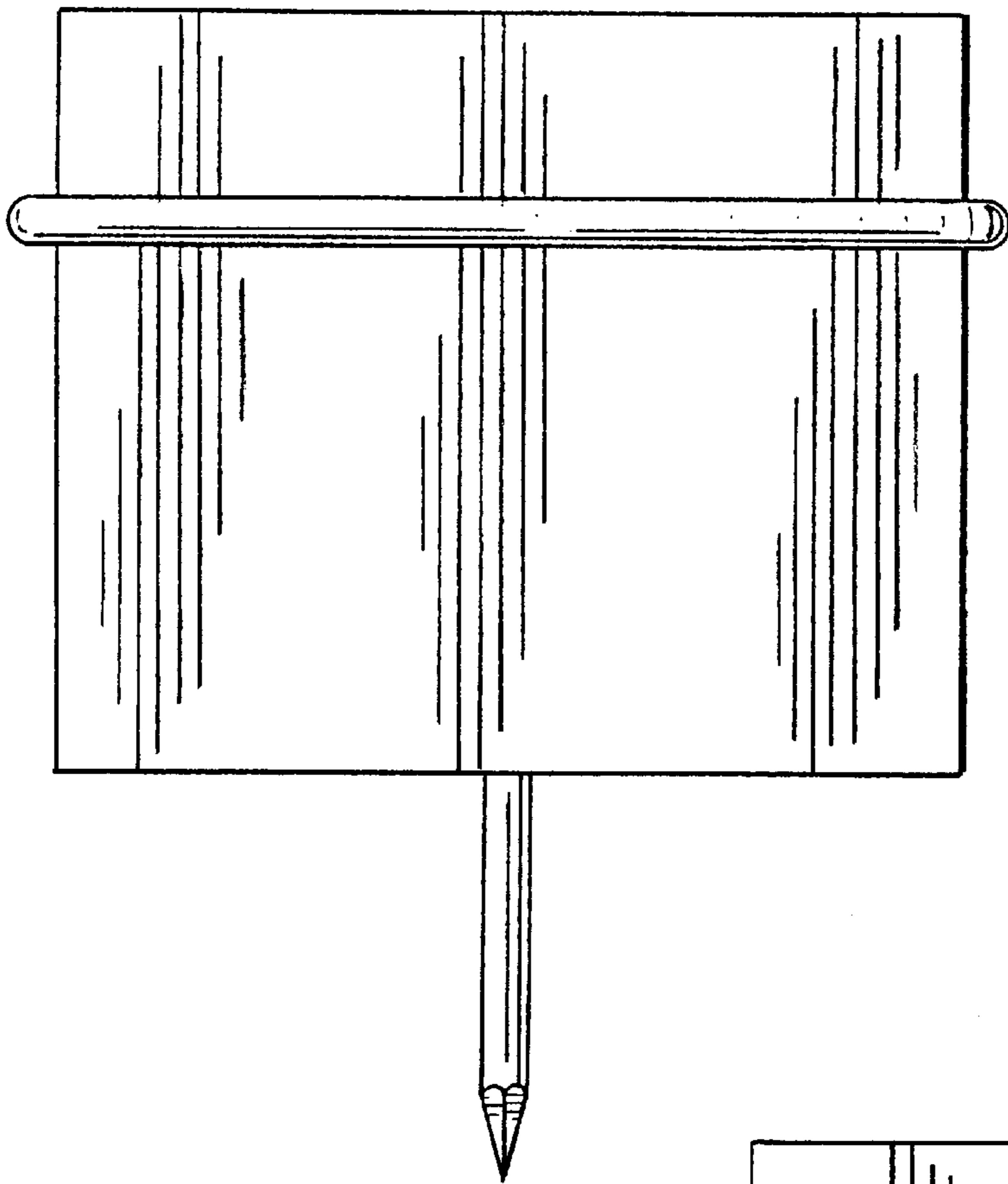


FIG. 11.

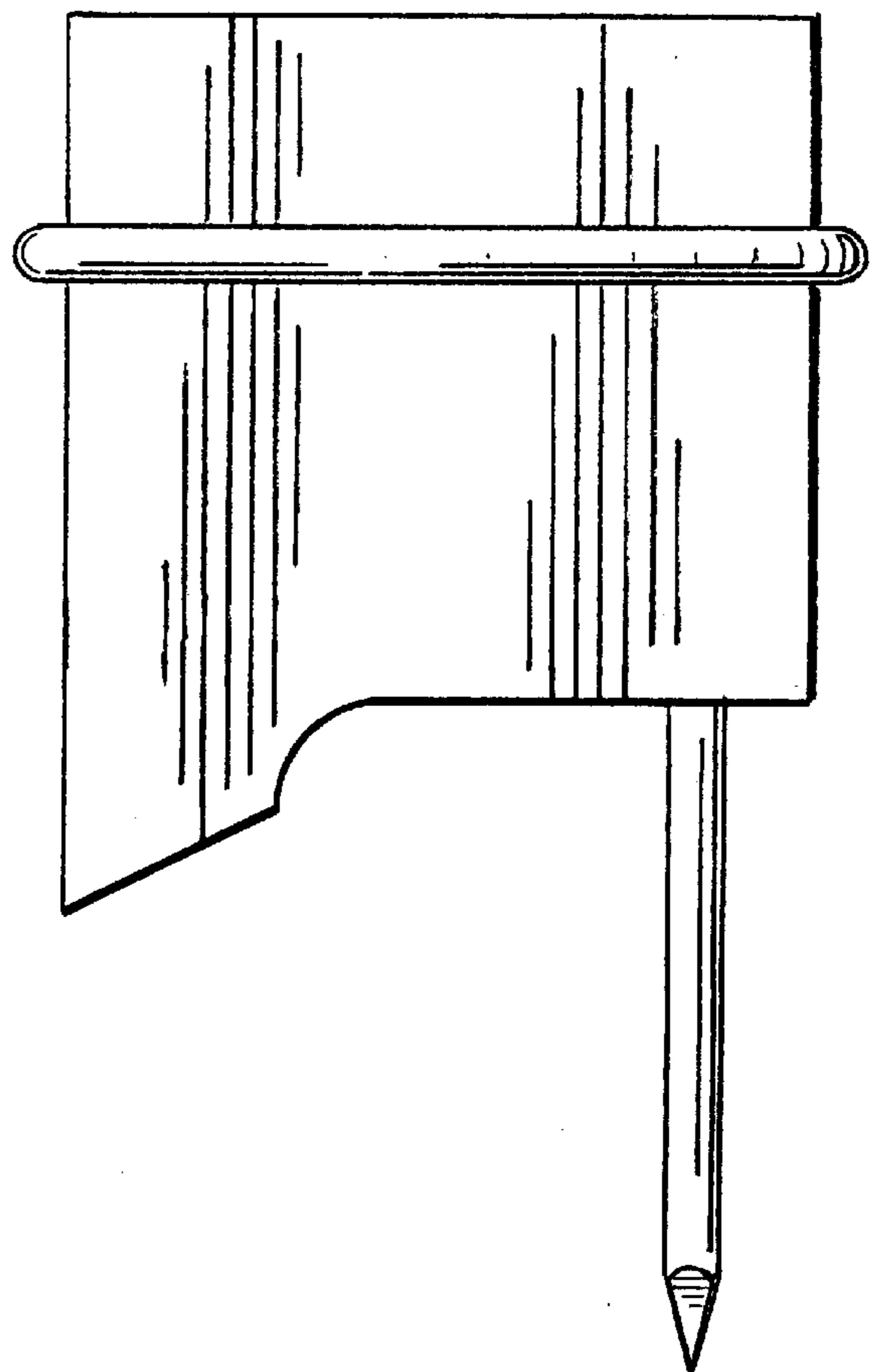


FIG. 12.