



US00D410029S

# United States Patent [19] Melnick

[11] **Patent Number: Des. 410,029**

[45] **Date of Patent: \*\* May 18, 1999**

[54] **MUSICAL PEN WITH SMALL CENTRAL BUTTON**

[75] Inventor: **Deborah L. Melnick**, Ardmore, Pa.

[73] Assignee: **Debbie Lynn, Inc.**, Ardmore, Pa.

[\*\*] Term: **14 Years**

[21] Appl. No.: **29/094,317**

[22] Filed: **Sep. 30, 1998**

[51] **LOC (6) Cl.** ..... **19-06**

[52] **U.S. Cl.** ..... **D19/36; D19/43; D19/51; D19/56; D19/57**

[58] **Field of Search** ..... **D19/35, 36, 41-51, D19/53-58, 81-85; 401/52, 195, 99, 202, 261, 221, 243-247; 434/308, 319; 379/355; 704/272; 369/63, 64; D14/167, 188; D17/10, 99; 24/11 M**

[56] **References Cited**

**U.S. PATENT DOCUMENTS**

D. 249,888	10/1978	Barnes	.....	D19/51
D. 265,741	8/1982	Funahashi	.....	D19/49
D. 275,577	9/1984	Hechter	.....	D19/51

D. 277,393	1/1985	Oyabu	.....	D19/55 X
D. 284,583	7/1986	Zierhut	.....	D19/57
D. 286,790	11/1986	Bove	.....	D19/50
D. 364,641	11/1995	Osterhaut	.....	D19/36
1,490,231	4/1924	Poole	.....	24/11 M
3,133,526	5/1964	Sears	.....	401/110
4,371,278	2/1983	Joo	.....	401/195
4,763,355	8/1988	Cox	.....	379/355
5,313,557	5/1994	Osterhaut	.....	704/272

*Primary Examiner*—Martie K. Holtj  
*Attorney, Agent, or Firm*—Sperry, Zoda & Kane

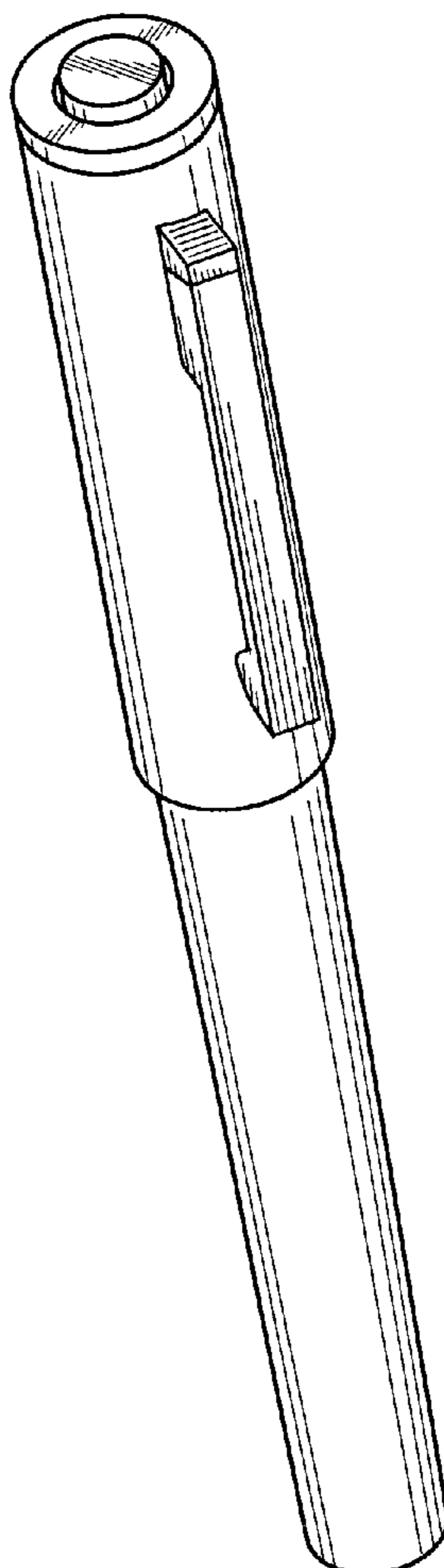
[57] **CLAIM**

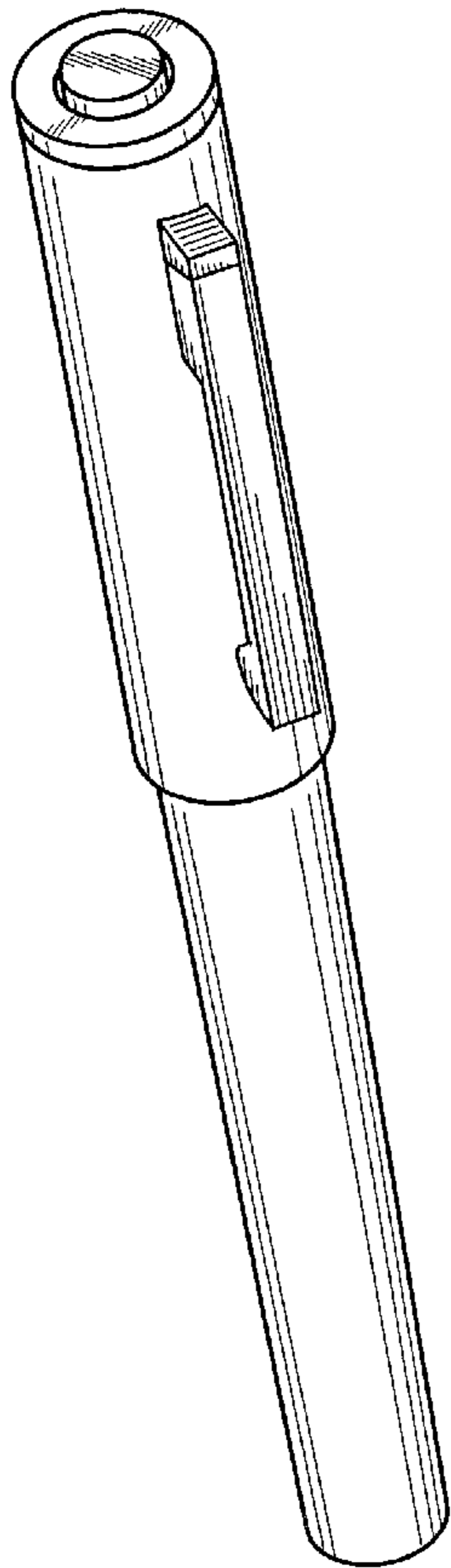
The ornamental design for a musical pen with small central button, as shown.

**DESCRIPTION**

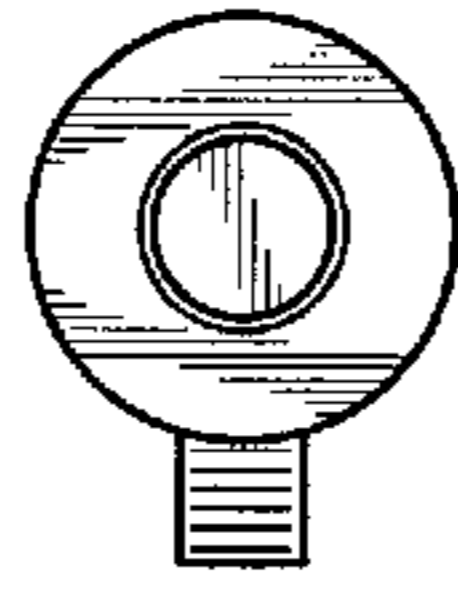
FIG. 1 is a perspective illustration embodying my new design;  
FIG. 2 is a top plan view;  
FIG. 3 is a front plan view;  
FIG. 4 is a left side plan view;  
FIG. 5 is a rear plan view; and,  
FIG. 6 is a bottom plan view;

**1 Claim, 1 Drawing Sheet**

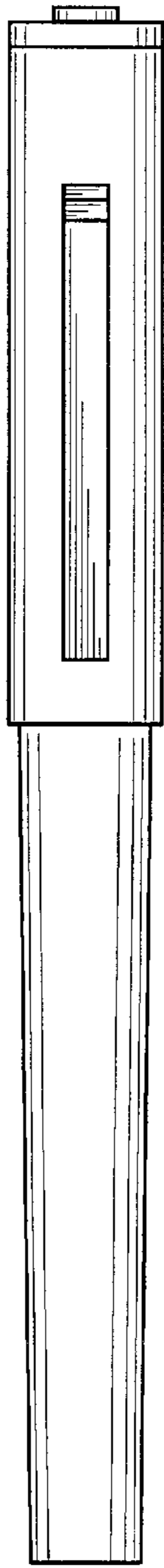




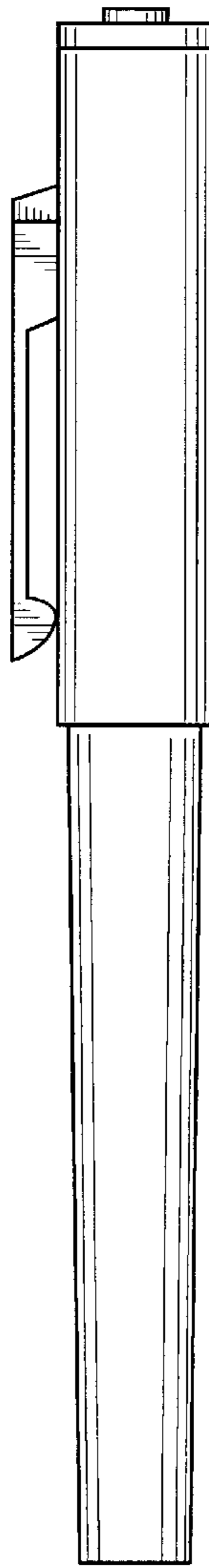
**FIG. 1**



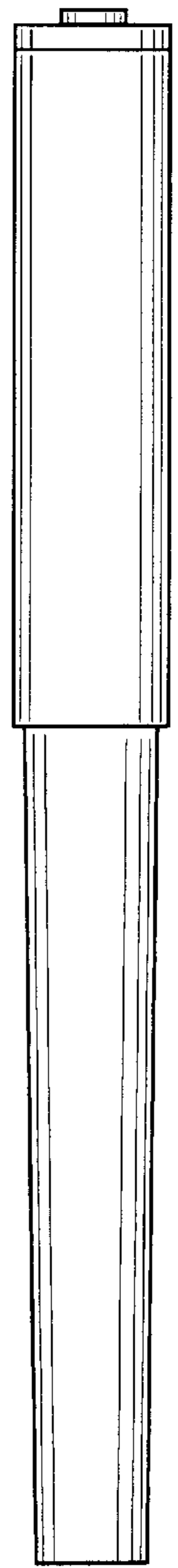
**FIG. 2**



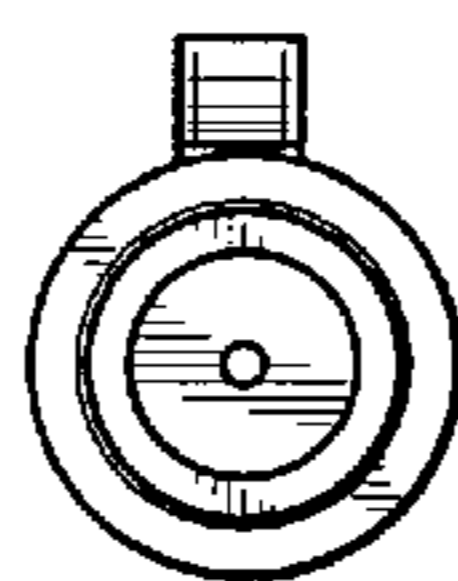
**FIG. 3**



**FIG. 4**



**FIG. 5**



**FIG. 6**