



US00D410026S

United States Patent [19]

[11] Patent Number: Des. 410,026

Brown et al.

[45] Date of Patent: ** *May 18, 1999

[54] SOLID INK STICK FOR A COLOR PRINTER

[75] Inventors: **David L. Brown**, Milwaukie, Oreg.;
Penelope C. Yao, Evanston, Ill.; **Henry Y. Chin**, Portland, Oreg.

[73] Assignee: **Tektronix, Inc.**, Wilsonville, Oreg.

[*] Notice: This patent is subject to a terminal disclaimer.

[**] Term: **14 Years**

[21] Appl. No.: **29/067,476**

[22] Filed: **Mar. 10, 1997**

[51] LOC (6) Cl. **18-02**

[52] U.S. Cl. **D18/56**

[58] Field of Search D18/56; 347/54,
347/88, 99; 106/31.29, 31.61

[56] References Cited

U.S. PATENT DOCUMENTS

D. 212,542	10/1968	McCarthy .	
D. 300,673	4/1989	Rhoa et al.	D24/101
D. 310,130	8/1990	Van Kooten	D1/100
D. 335,683	5/1993	Smith	D18/56
D. 346,821	5/1994	Smith	D18/56
D. 371,801	7/1996	Jones et al.	D18/56
D. 371,802	7/1996	Jones et al.	D18/56
D. 372,268	7/1996	Jones et al.	D18/56
D. 372,270	7/1996	Jones et al.	D18/56
D. 373,139	8/1996	Jones et al.	D18/56
D. 379,470	5/1997	Gilbert	D18/56
D. 379,639	6/1997	Gilbert	D18/56
4,361,843	11/1982	Cooke et al.	347/99
4,667,206	5/1987	DeYoung	347/88
4,723,135	2/1988	Yano et al.	347/99
4,739,339	4/1988	DeYoung et al.	347/88
4,823,146	4/1989	Cooke et al. .	
5,003,322	3/1991	Creagh et al.	347/88
5,038,157	8/1991	Howard	347/88
5,123,961	6/1992	Yamamoto	106/31.61
5,124,719	6/1992	Matsuzaki	347/88

(List continued on next page.)

FOREIGN PATENT DOCUMENTS

000340533	11/1989	European Pat. Off.	347/88
403193457	8/1991	Japan	347/88
404093258	5/1992	Japan	347/99
404310751	11/1992	Japan	347/88
404358845	12/1992	Japan	347/88
405247390	9/1993	Japan	106/31.29
406143558	5/1994	Japan	347/88
091010711	7/1991	WIPO	106/31.29
093009193	5/1993	WIPO	106/31.29

OTHER PUBLICATIONS

IBM Technical Disclosure Bulletin; vol. 26, No. 3A; Ink Spitter For Hot melt Ink by F. Hendriks; 347-88, Aug. 1983. Howtek Pixelmaster brochure; p. 15—Ink pellets; 347-88, 1988.

Primary Examiner—Cathy Anne MacCormac
Attorney, Agent, or Firm—Charles F. Moore

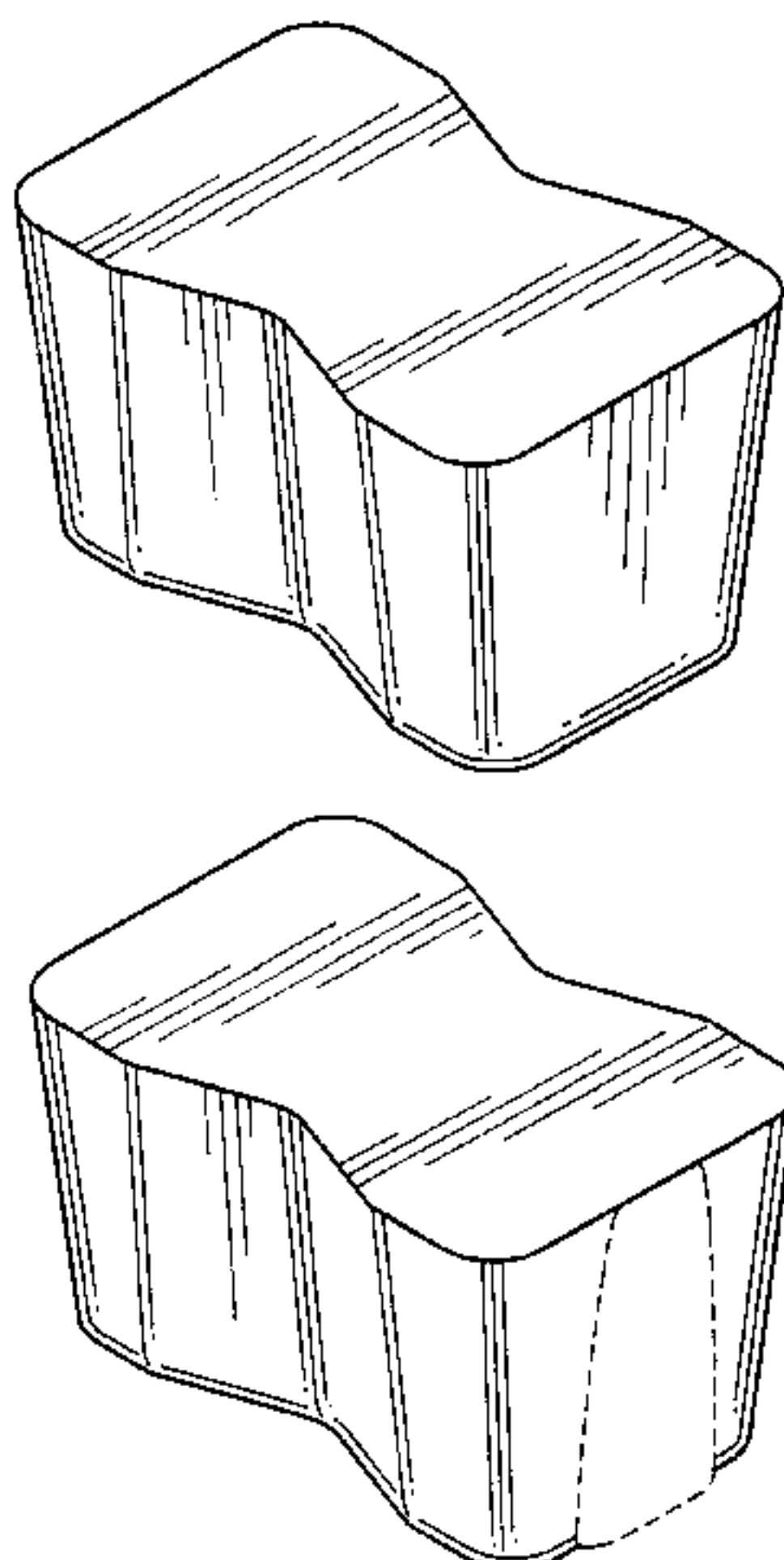
[57] CLAIM

The ornamental design for a solid ink stick for a color printer, as shown and described.

DESCRIPTION

FIG. 1 is a front perspective view of a solid ink stick for a color printer showing our new design; FIG. 2 is a top plan view thereof; FIG. 3 is a side elevational view thereof, the opposite side being identical; FIG. 4 is an end elevational view thereof, the opposite end being identical; FIG. 5 is a bottom plan view thereof; FIG. 6 is a front perspective view of a second embodiment of FIG. 1; FIG. 7 is a side elevational view of FIG. 6, the opposite side being identical; FIG. 8 is an end elevational view of FIG. 6, the opposite end being identical; and, FIG. 9 is a bottom plan view of FIG. 6. The top of the second embodiment is identical to FIG. 2 of the first embodiment. The broken line portions of FIGS. 6—9 are environmental only and form no part of the claimed design.

1 Claim, 2 Drawing Sheets



Des. 410,026

Page 2

U.S. PATENT DOCUMENTS

5,181,049	1/1993	Mackay et al.	347/88	5,259,873	11/1993	Fujioka	347/99
5,209,998	5/1993	Kavassalis et al.	347/99	5,259,874	11/1993	Miller et al.	347/99
5,223,860	6/1993	Loofbourow et al. .		5,290,346	3/1994	Fujioka	347/99
5,230,731	7/1993	Kanbayaski et al.	347/99	5,442,387	8/1995	Loofbourow et al.	347/88
5,235,350	8/1993	Lin et al.	347/88	5,510,821	4/1996	Jones et al.	347/88
				5,539,437	7/1996	Penwell	347/54
				5,541,624	7/1996	Cooke et al.	347/99

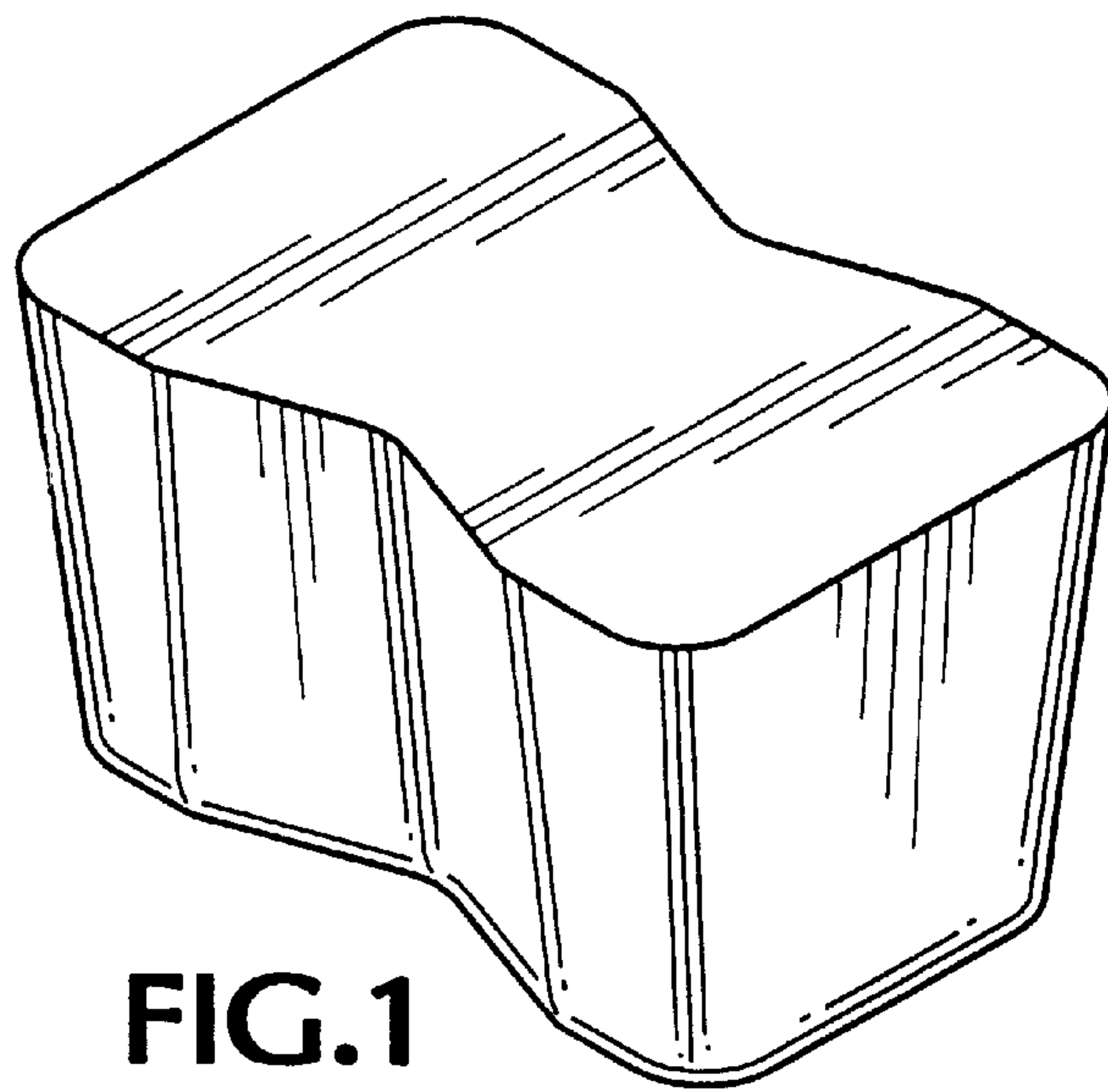


FIG. 1

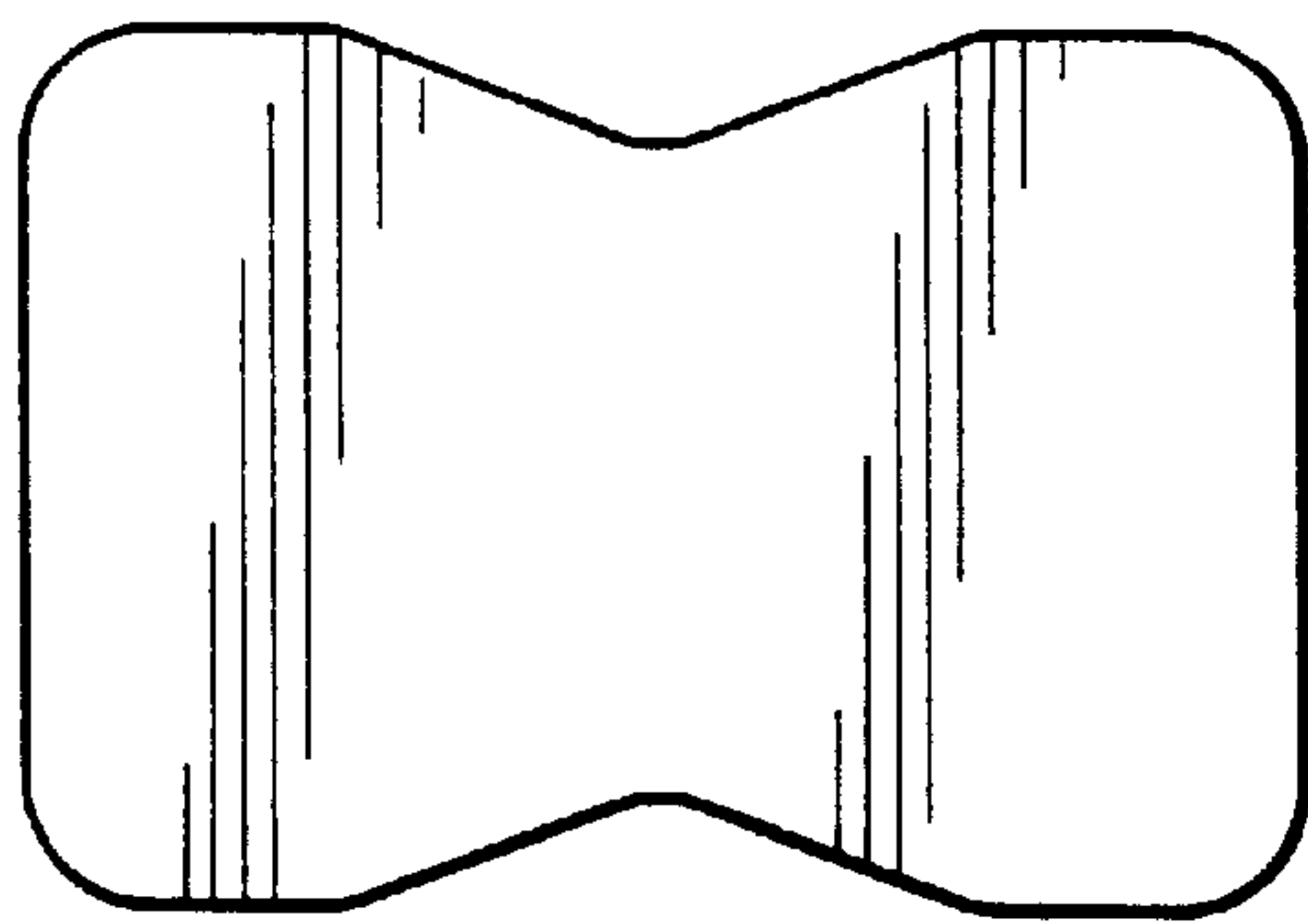


FIG. 2

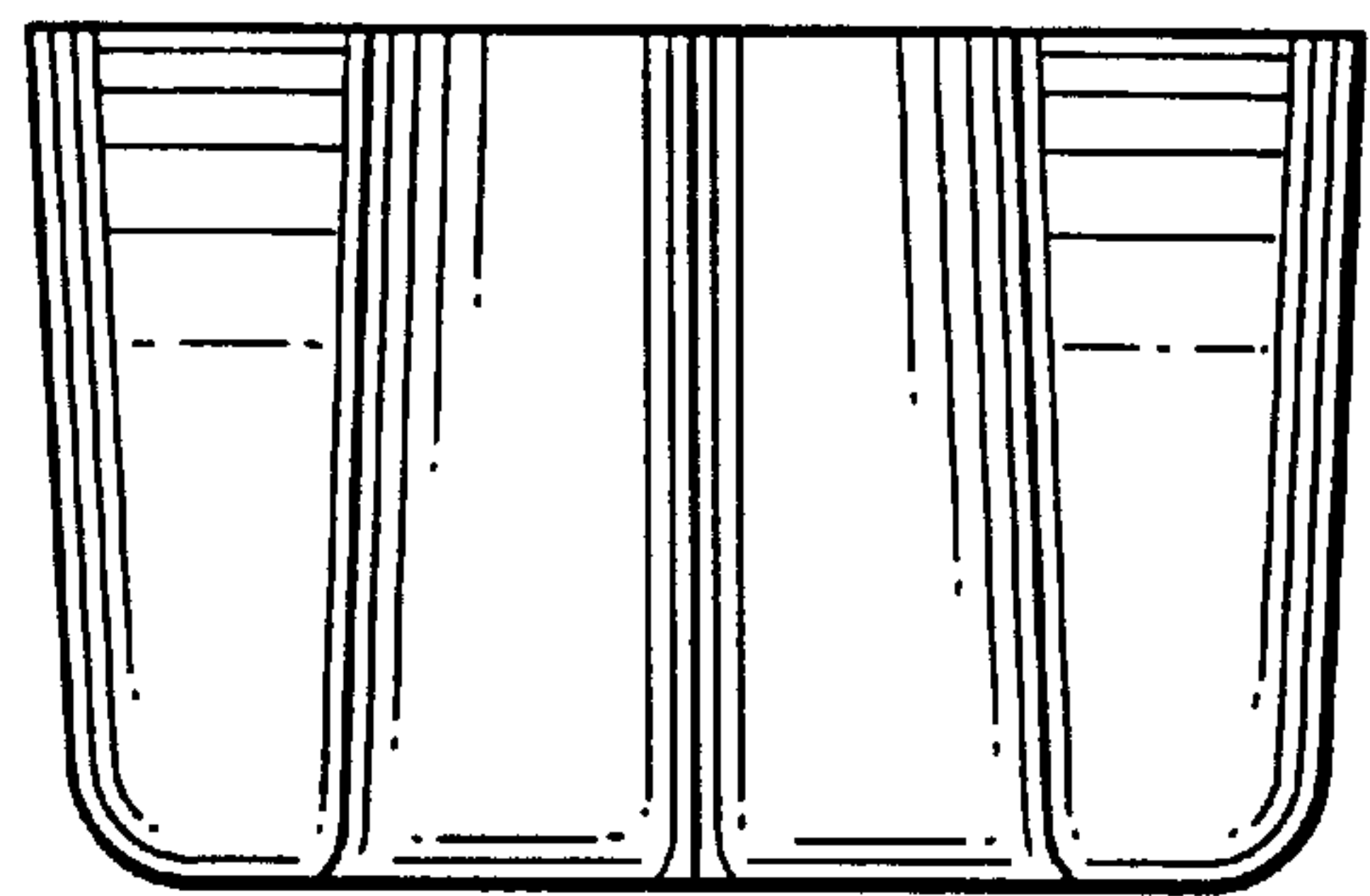


FIG. 3

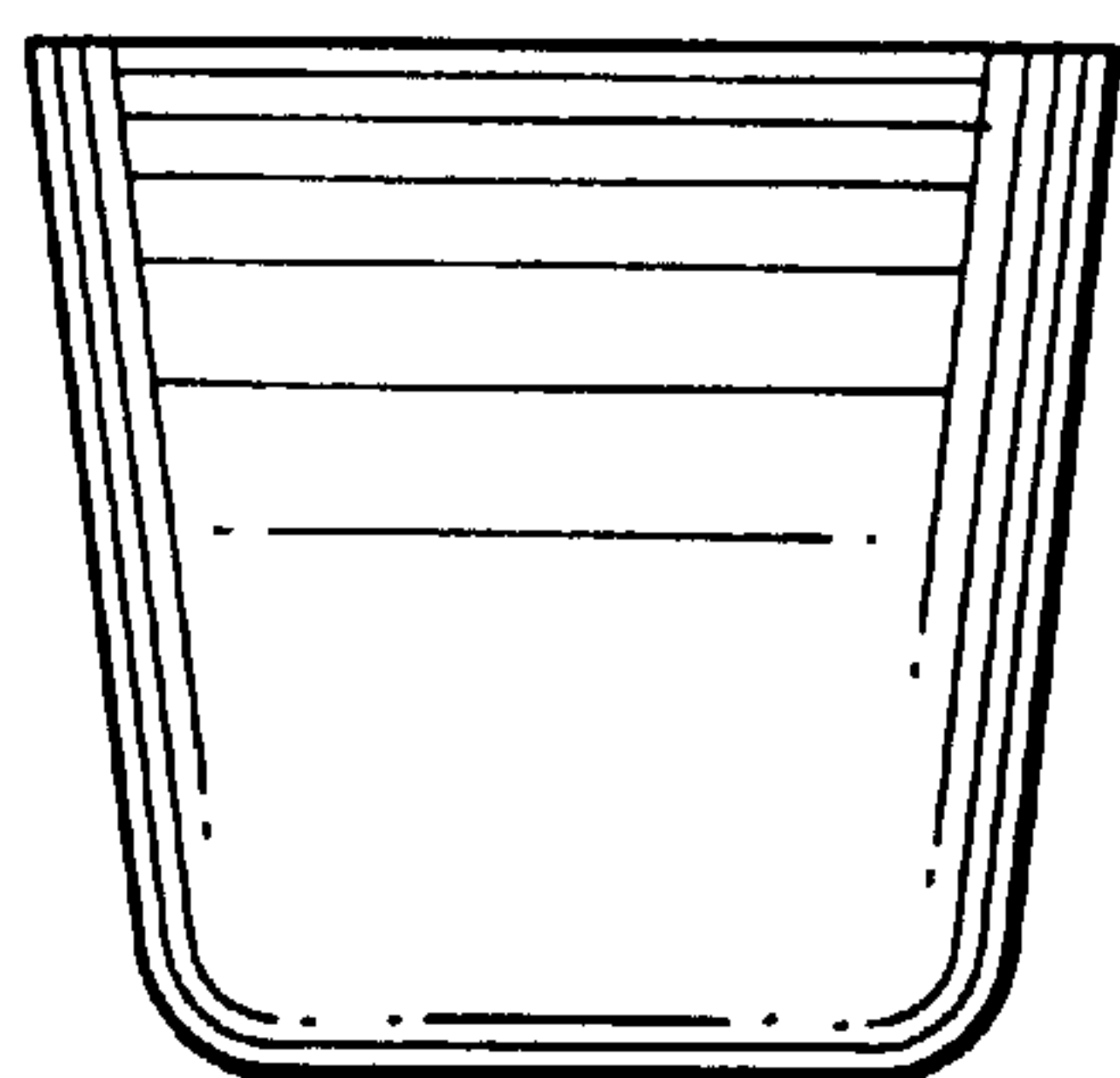


FIG. 4

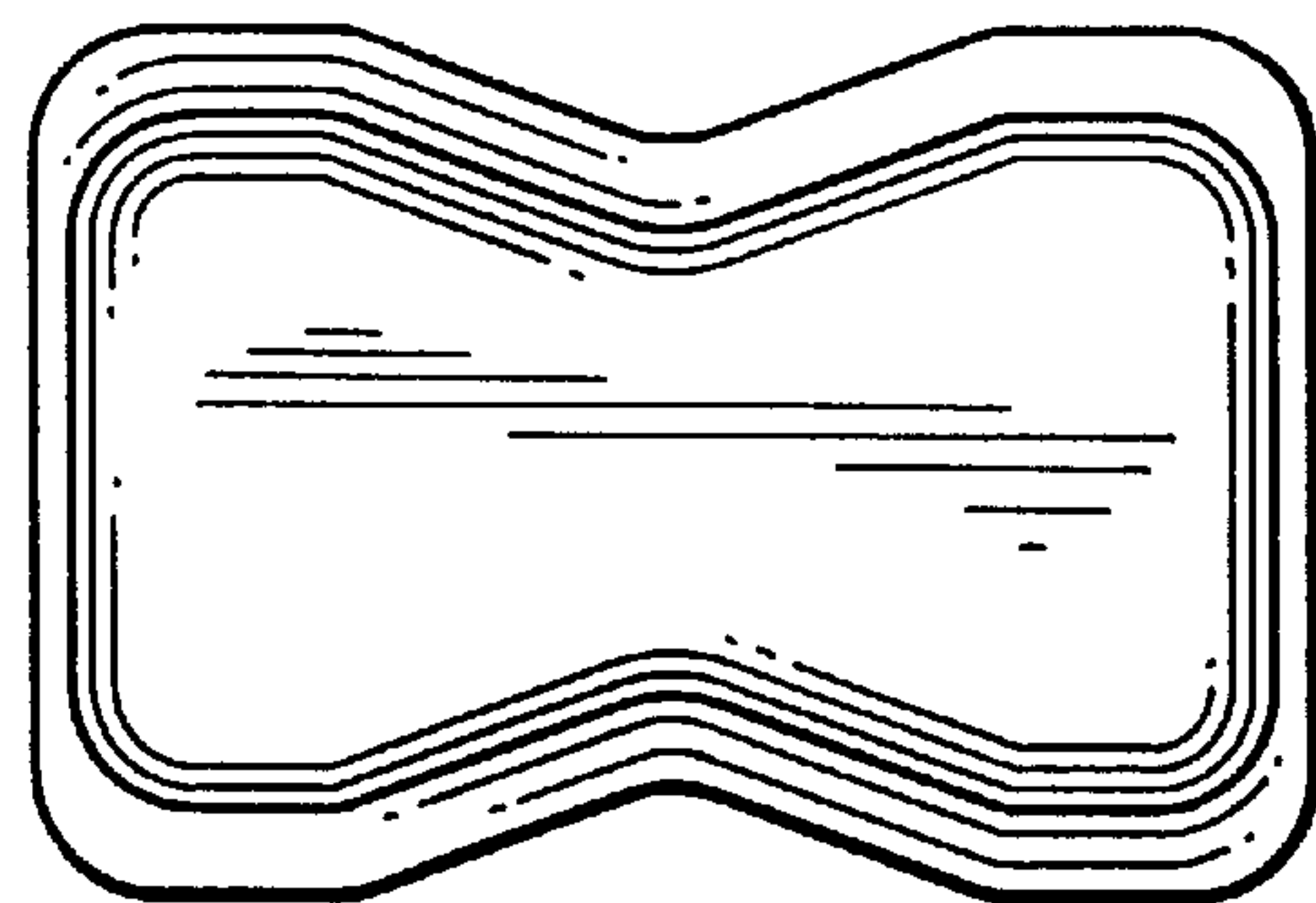


FIG. 5

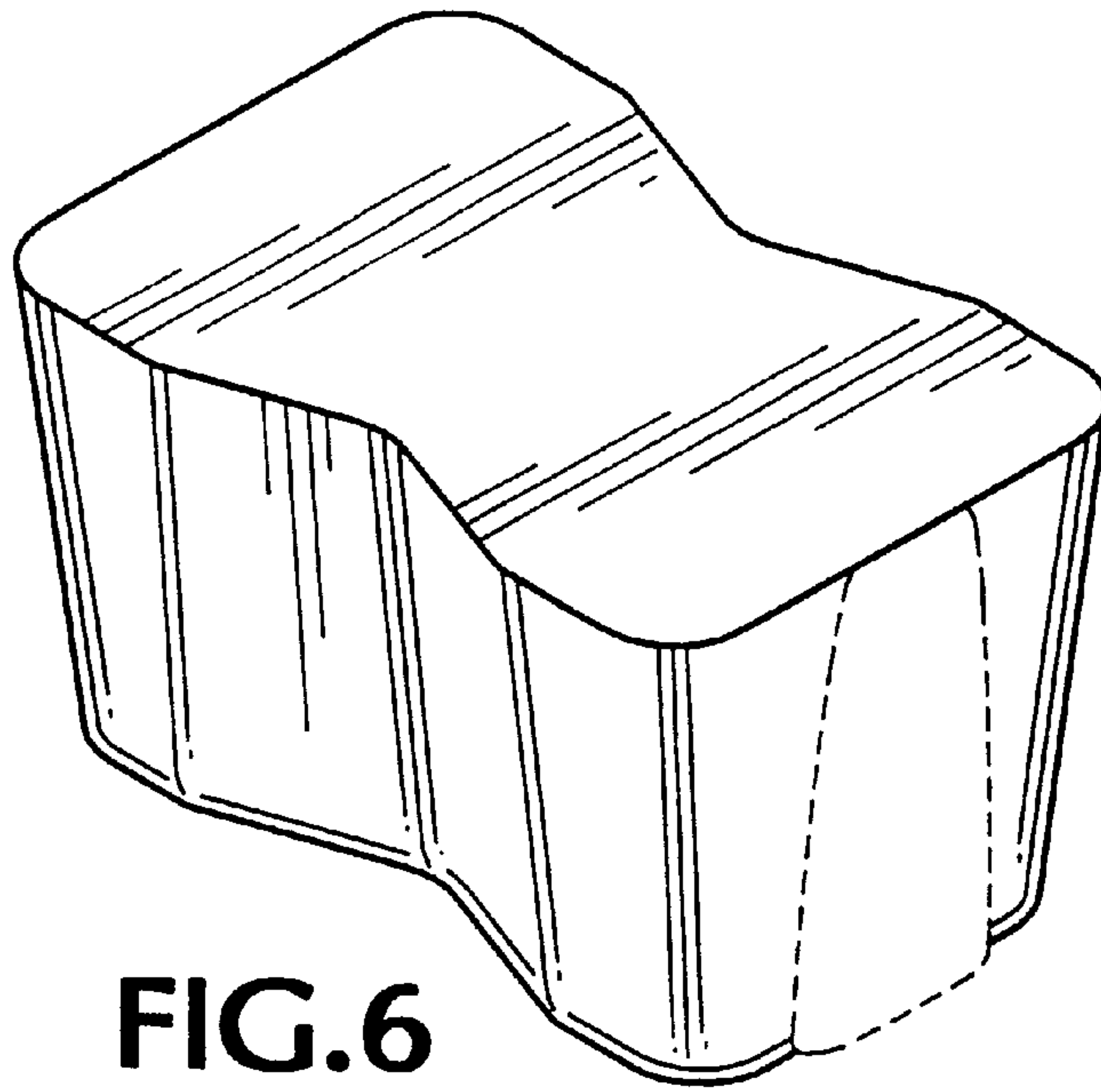


FIG. 6

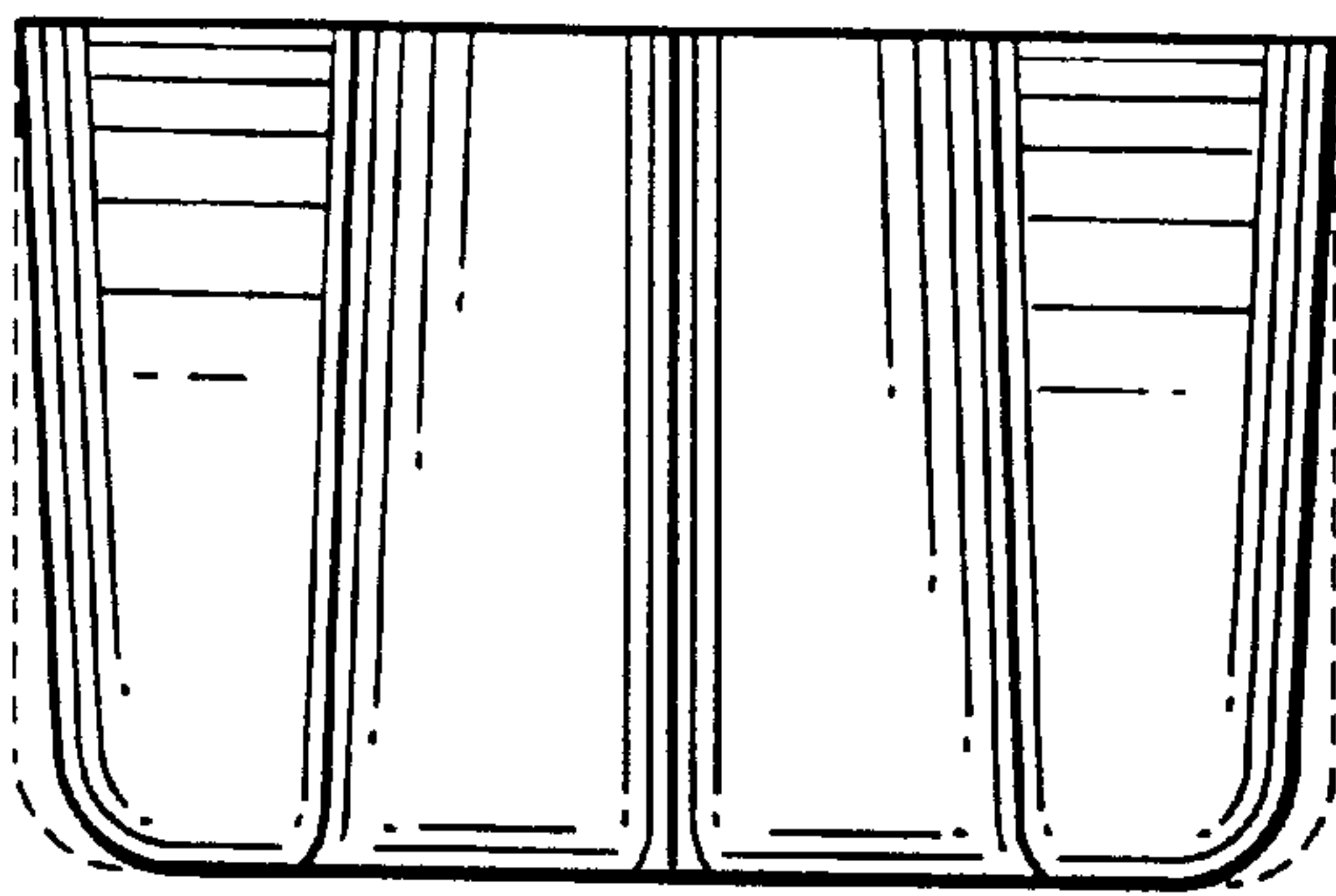


FIG. 7

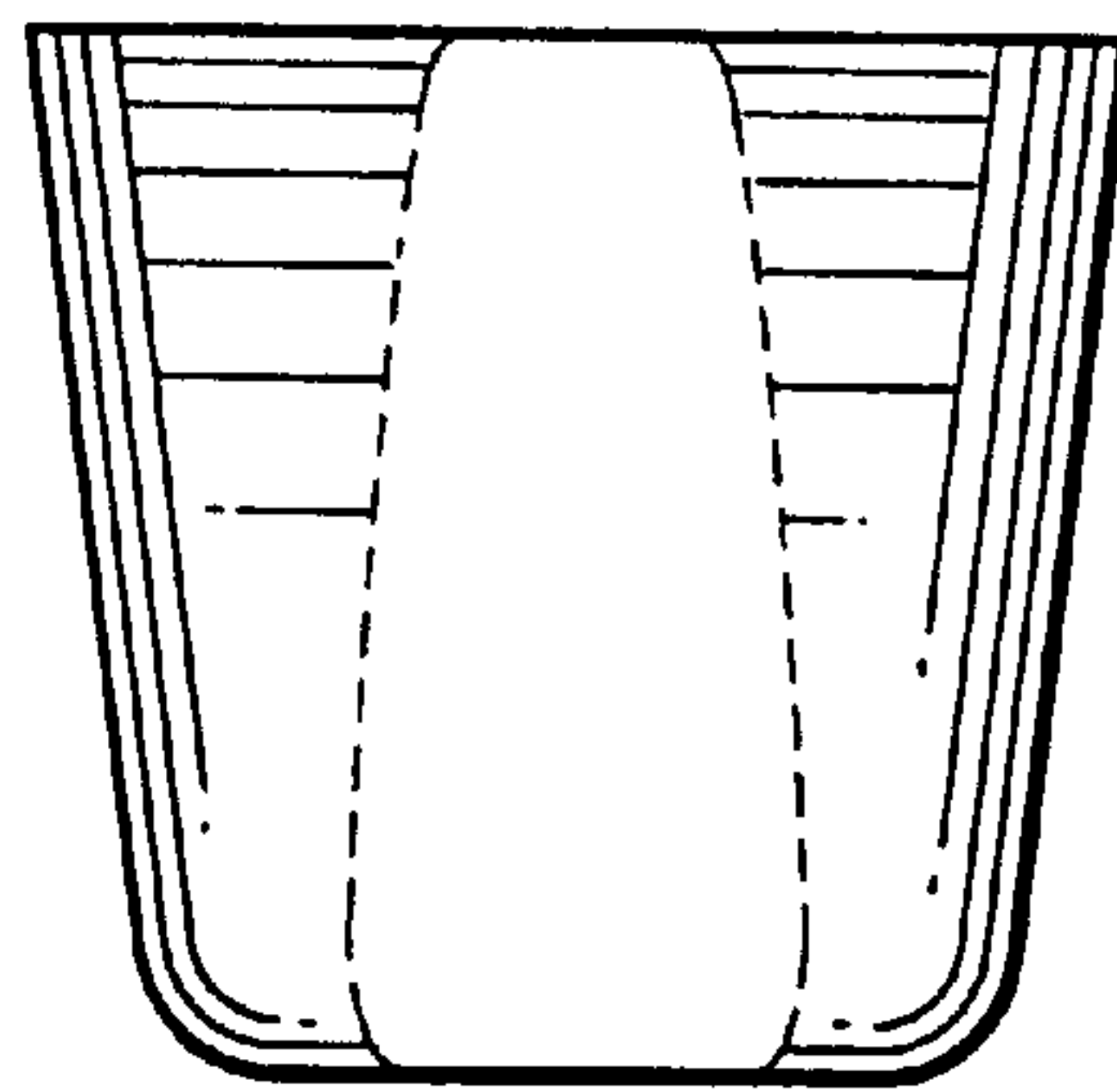


FIG. 8

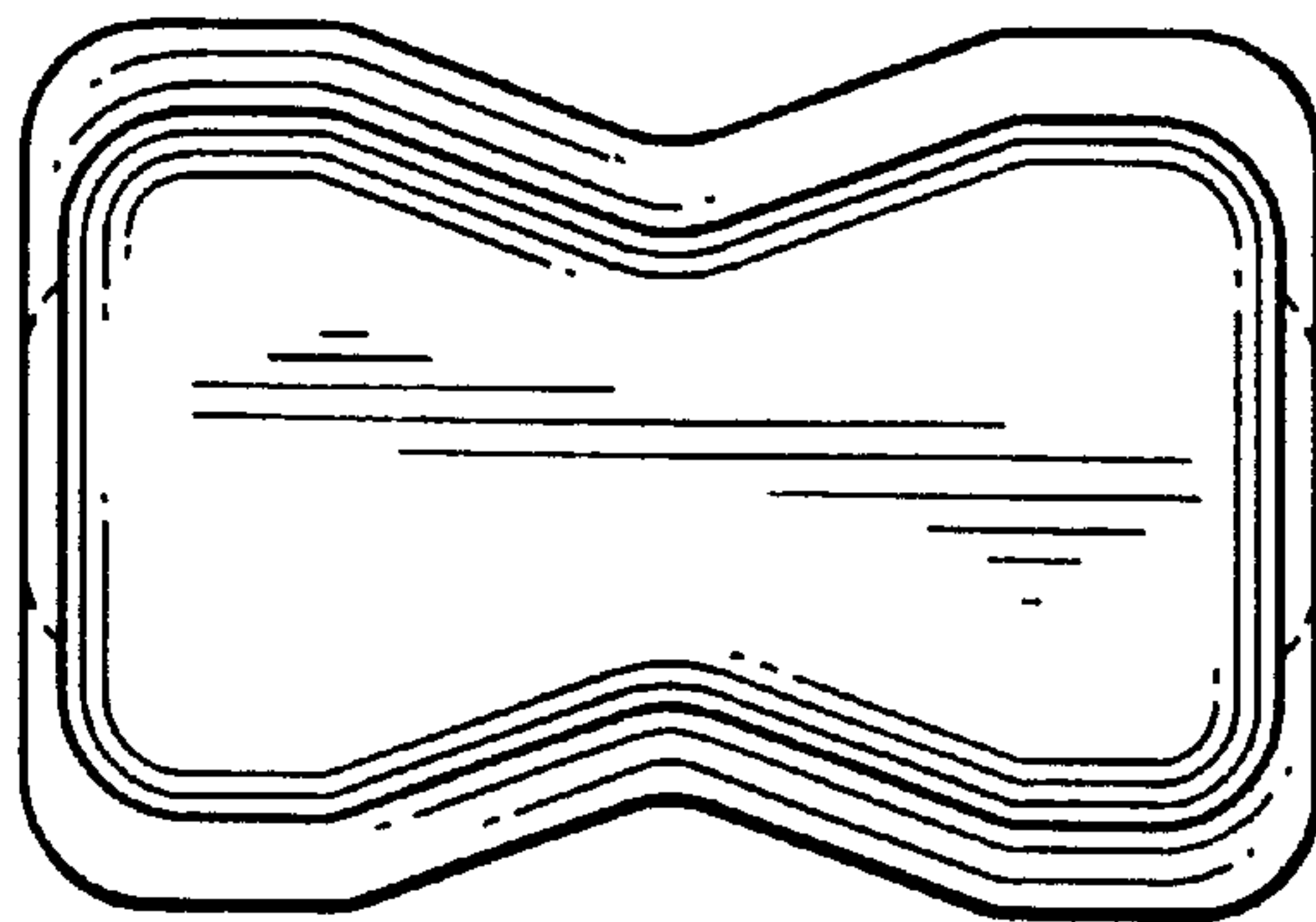


FIG. 9