



US00D410020S

United States Patent [19] Adachi

[11] **Patent Number: Des. 410,020**

[45] **Date of Patent: ** May 18, 1999**

[54] **PROJECTOR**

[75] Inventor: **Tomoyuki Adachi**, Kounan, Japan

[73] Assignee: **Elmo Company Limited**, Japan

[**] Term: **14 Years**

[21] Appl. No.: **29/092,488**

[22] Filed: **Aug. 20, 1998**

[30] **Foreign Application Priority Data**

Feb. 24, 1998 [JP] Japan 10-5065

[51] **LOC (6) Cl.** **16-02**

[52] **U.S. Cl.** **D16/231; D16/221; D16/225**

[58] **Field of Search** D16/205, 208,
D16/221, 225, 230, 231, 234; D21/514;
352/34, 242, 243; 353/115, 119, 122

[56] **References Cited**

U.S. PATENT DOCUMENTS

D. 343,850	2/1994	Saeki et al.	D16/234
D. 371,148	6/1996	Kobayashi et al.	D16/221
D. 388,111	12/1997	Iida	D16/231
D. 389,503	1/1998	Shimizu et al.	D16/230
D. 392,302	3/1998	Oota et al.	D16/230

D. 398,622	9/1998	Saeki et al.	D16/231
D. 401,260	11/1998	Kodama et al.	D16/225
D. 401,261	11/1998	Yamazaki et al.	D16/225
2,916,964	12/1959	Paulsohn	353/115

OTHER PUBLICATIONS

Sanyo Catalog, Cover page [LP-XG70 (H)], Aug. 1977.
Catalogue: EPSON Projector ELP—3300, Jun. 24, 1996.

Primary Examiner—Adir Aronovich
Attorney, Agent, or Firm—Ostrolenk, Faber, Gerb & Soffen, LLP

[57] **CLAIM**

The ornamental design for a projector, as shown.

DESCRIPTION

FIG. 1 is a front view of the projector embodying my new design;
FIG. 2 is a rear view thereof;
FIG. 3 is a left side view thereof;
FIG. 4 is a right side view thereof;
FIG. 5 is a bottom plan view thereof;
FIG. 6 is a top plan view thereof; and,
FIG. 7 is a perspective view as seen from the top and front of FIG. 1.

1 Claim, 7 Drawing Sheets

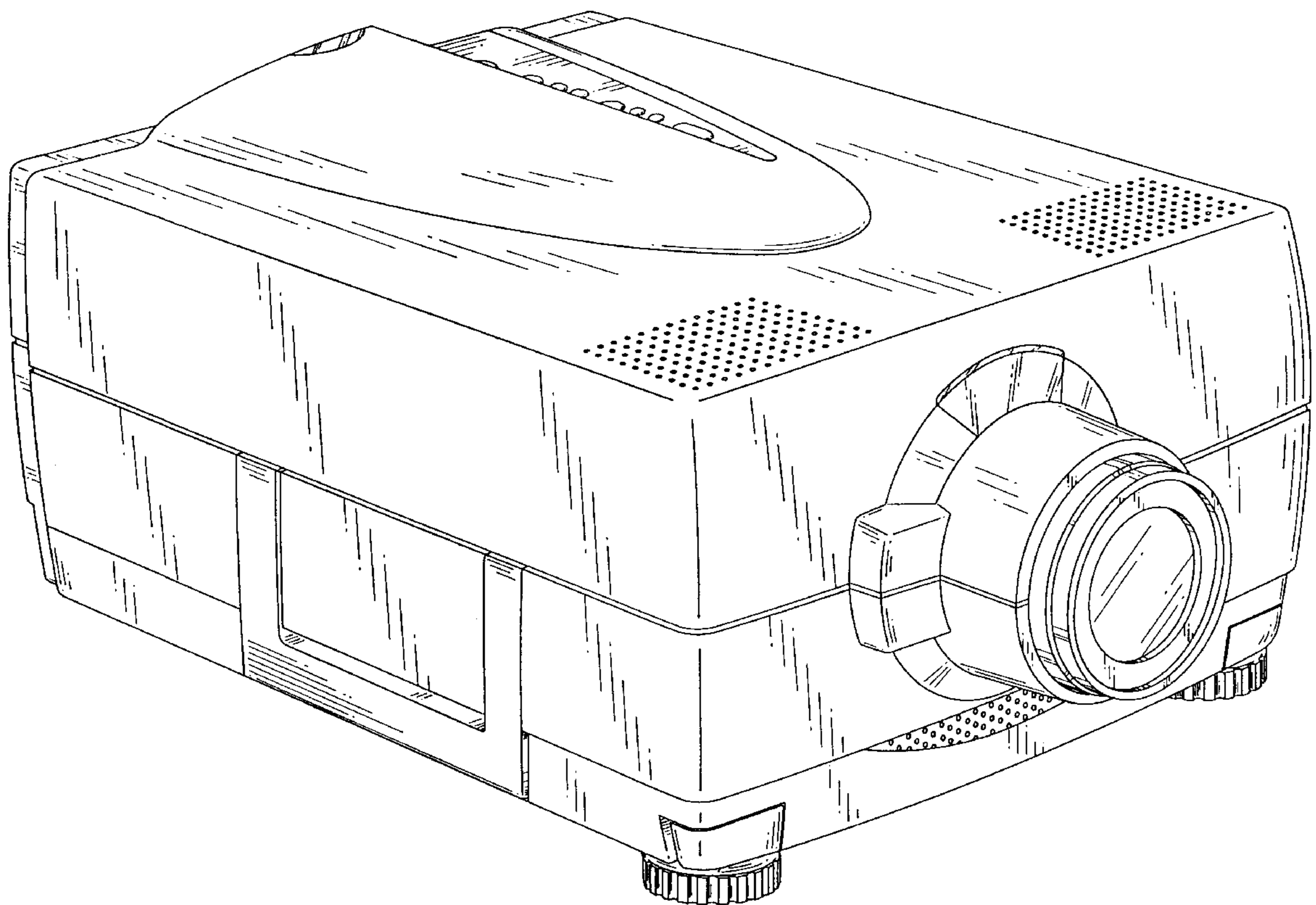


Fig. 1

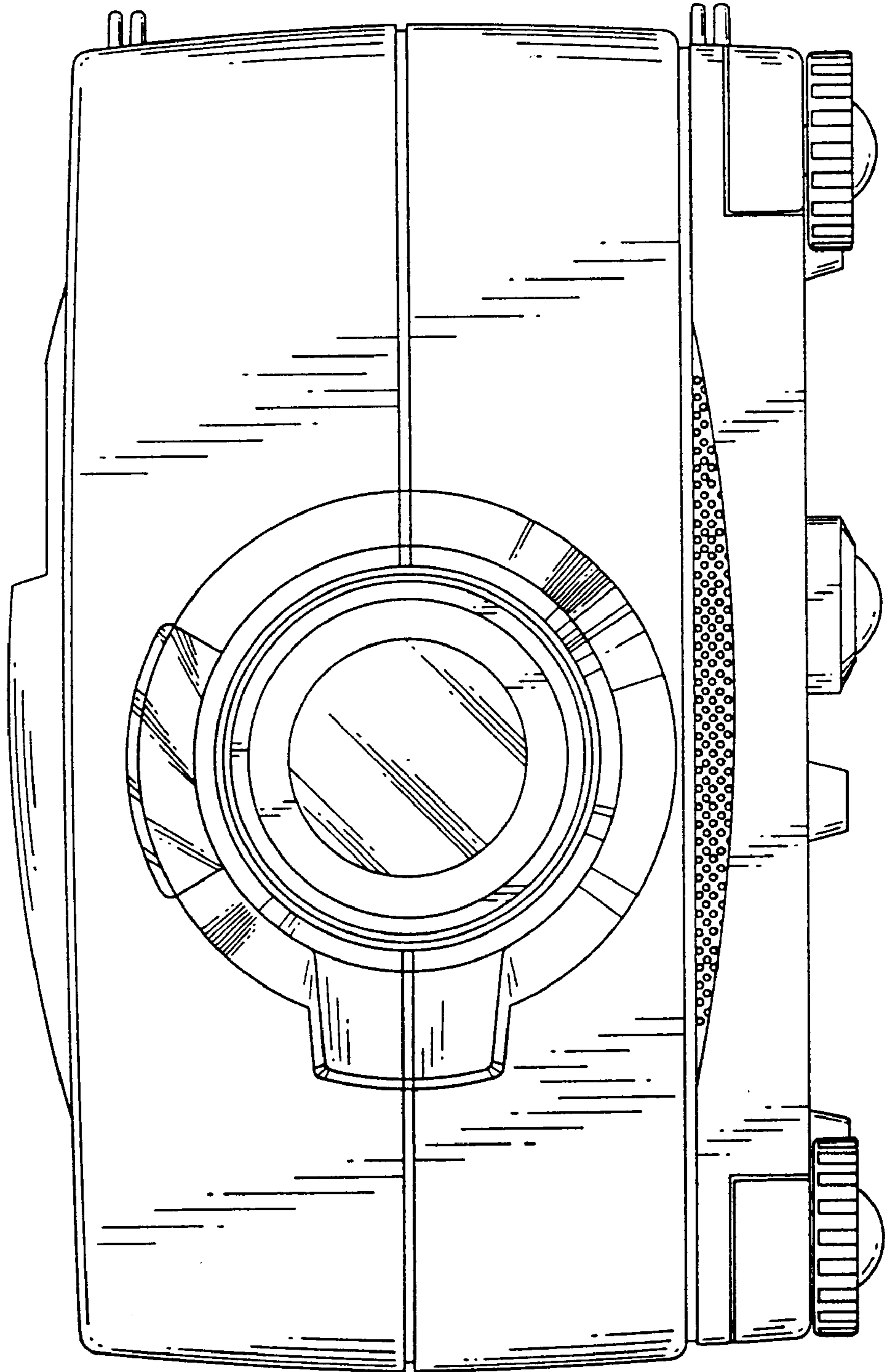


Fig. 2

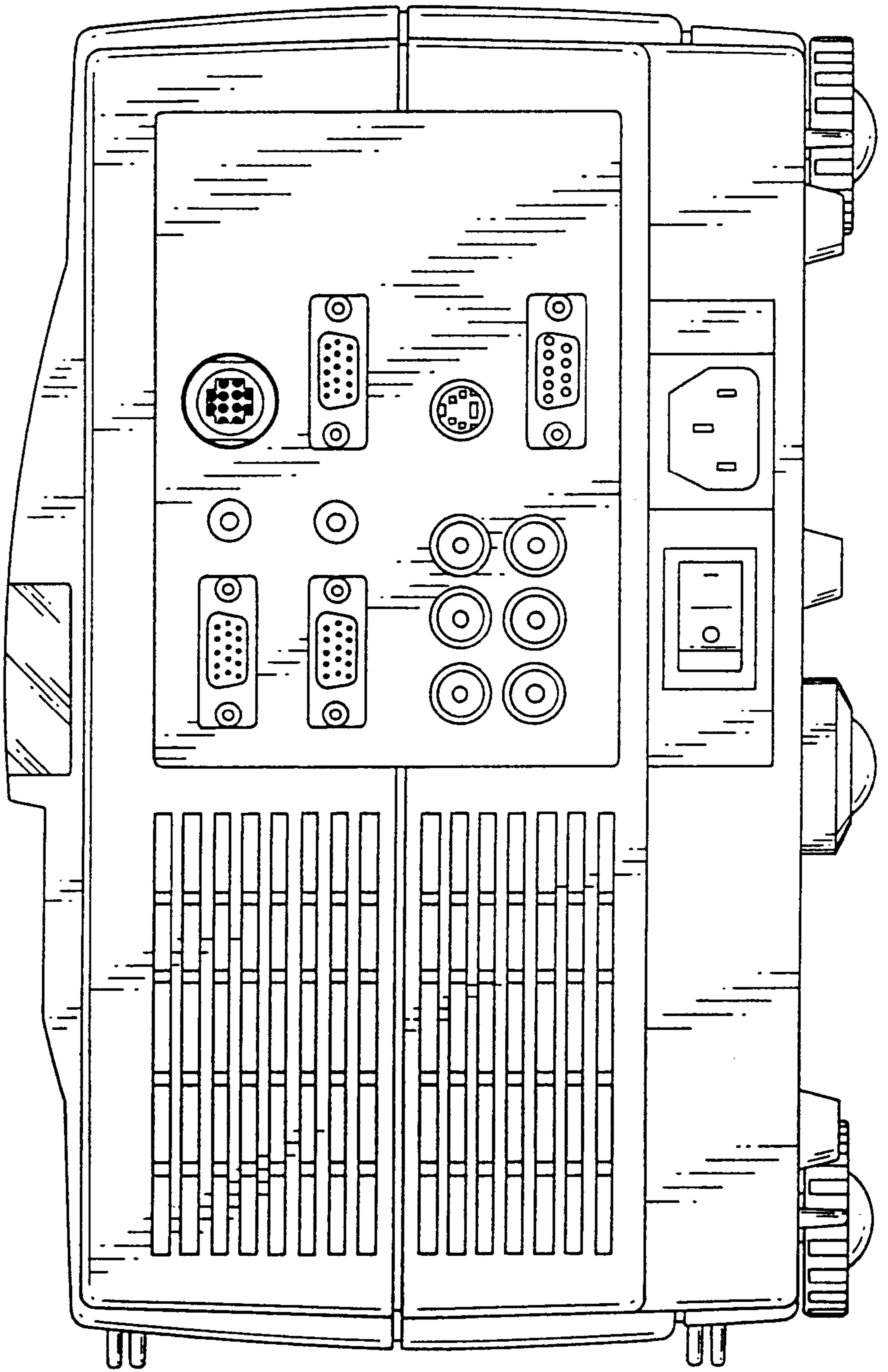


Fig. 3

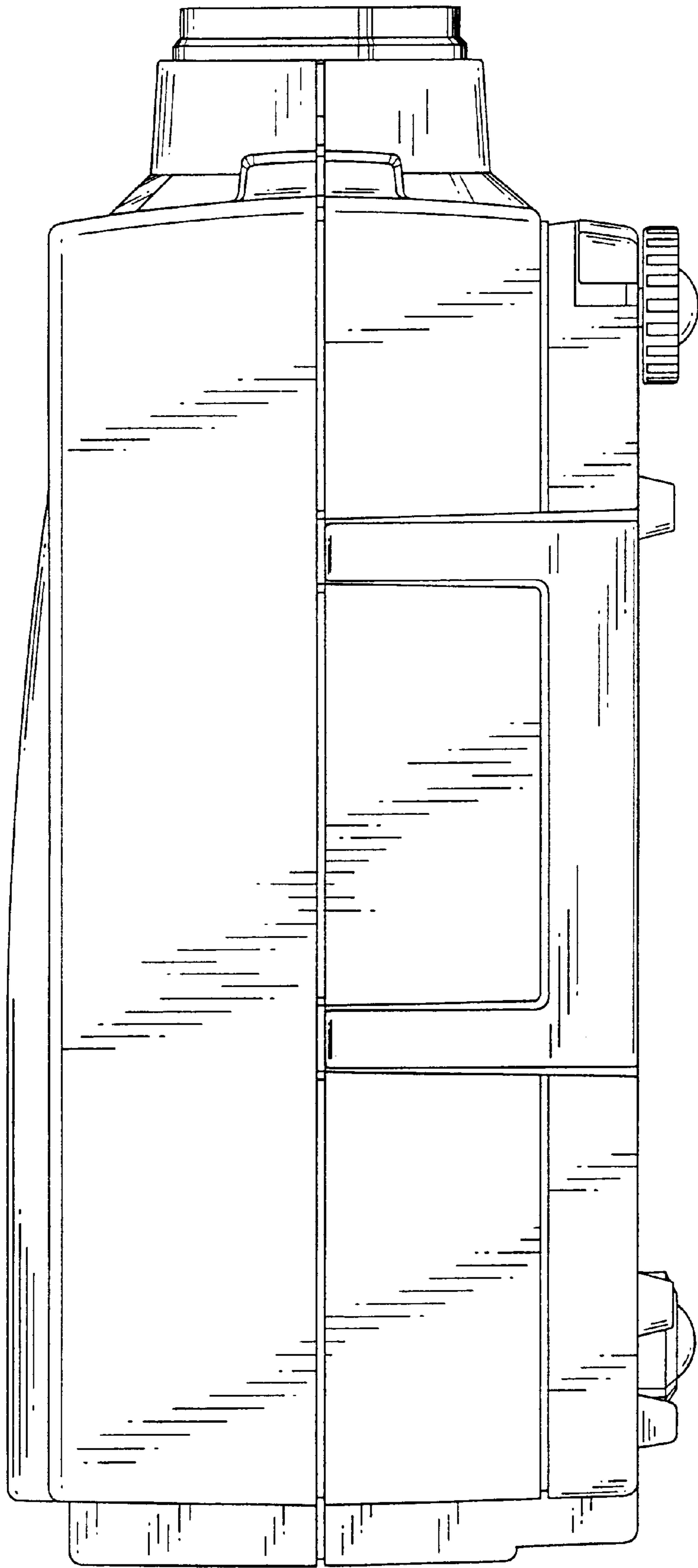


Fig. 4

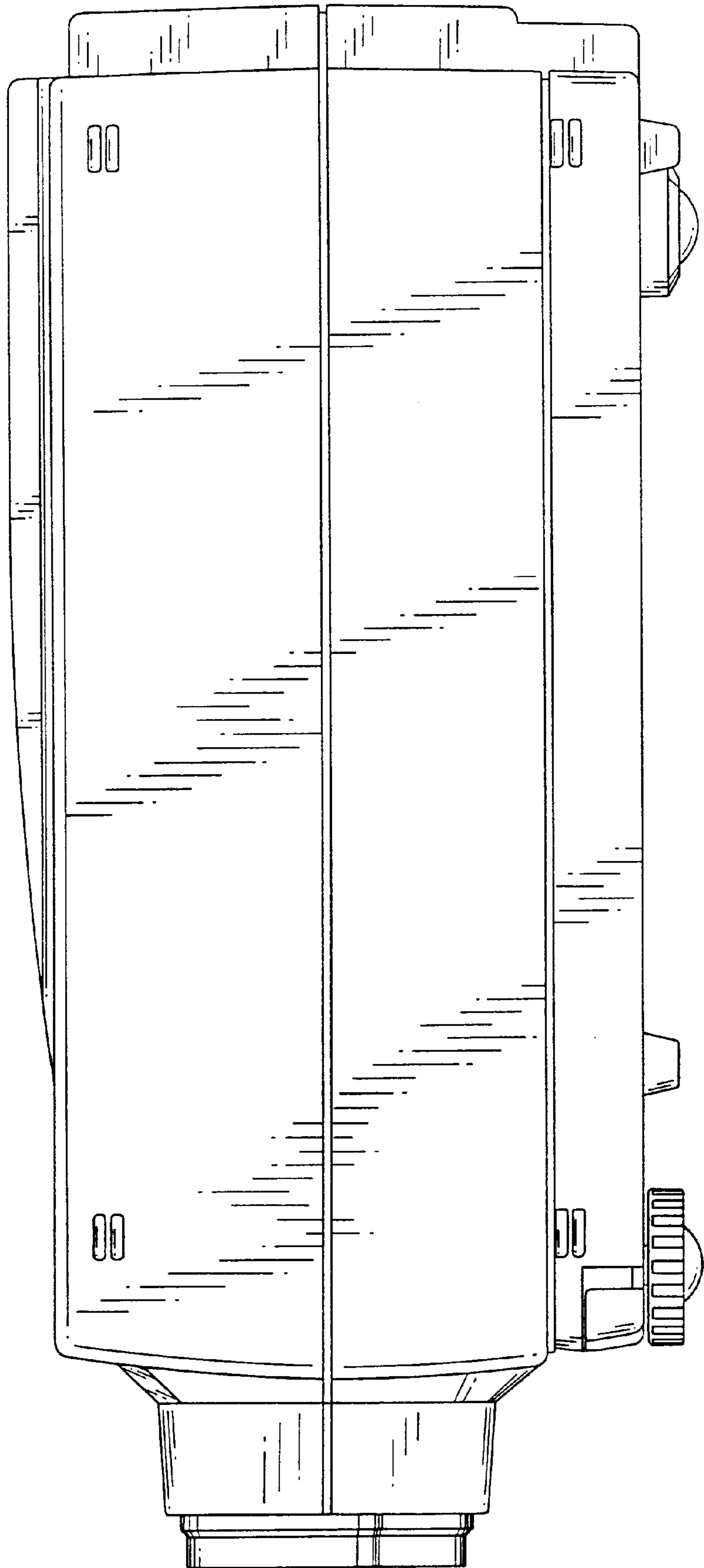


Fig. 5

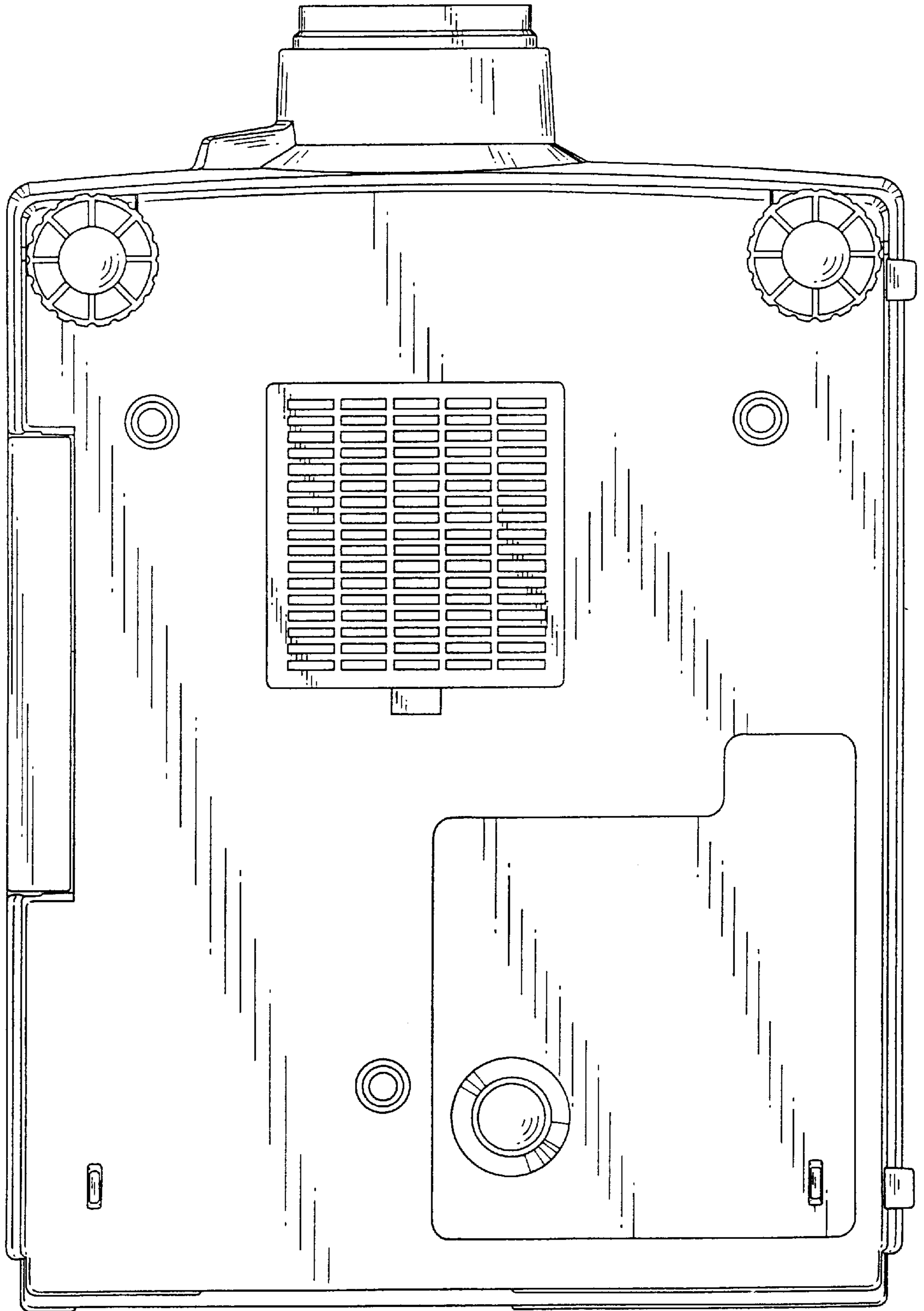
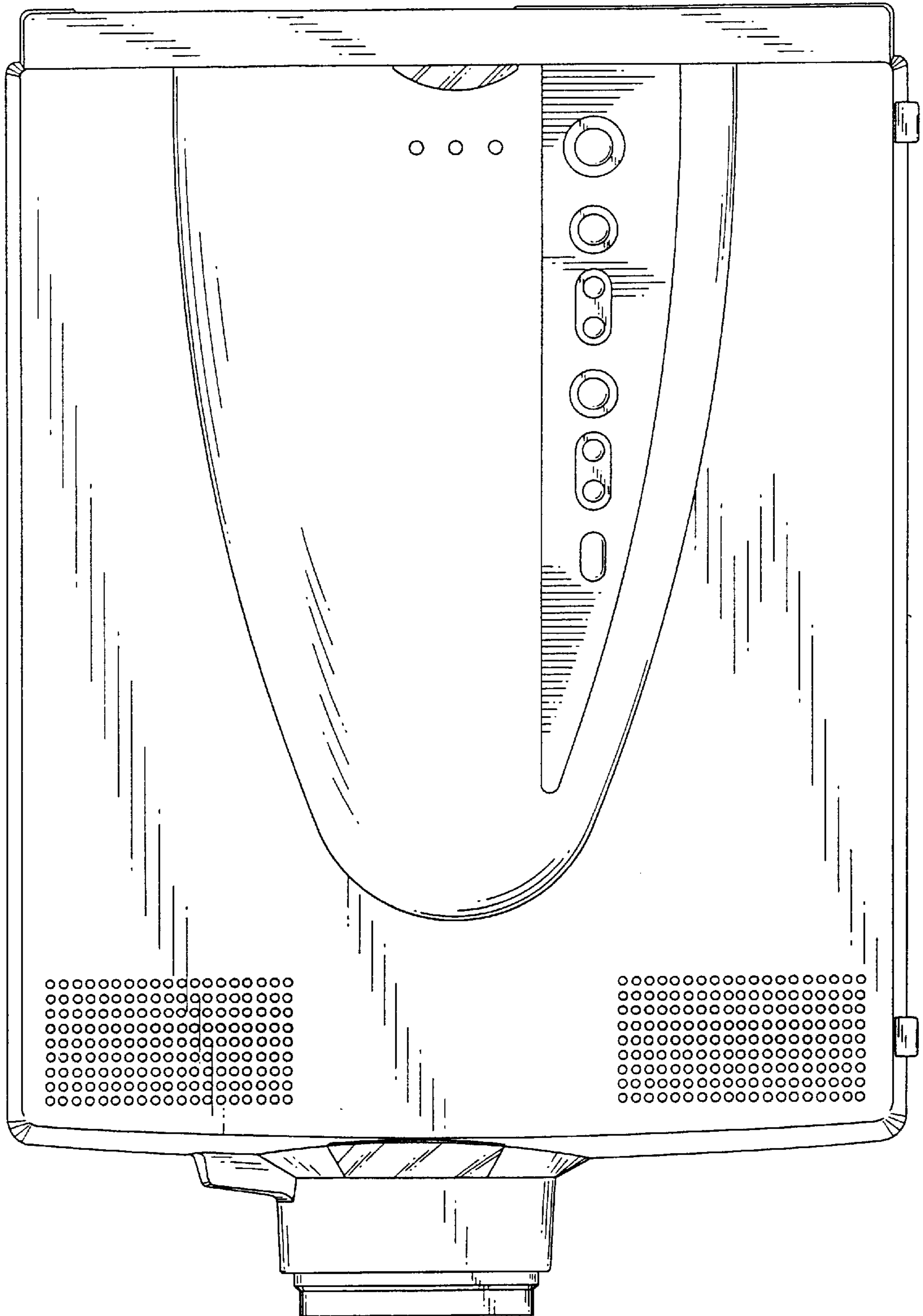


Fig. 6



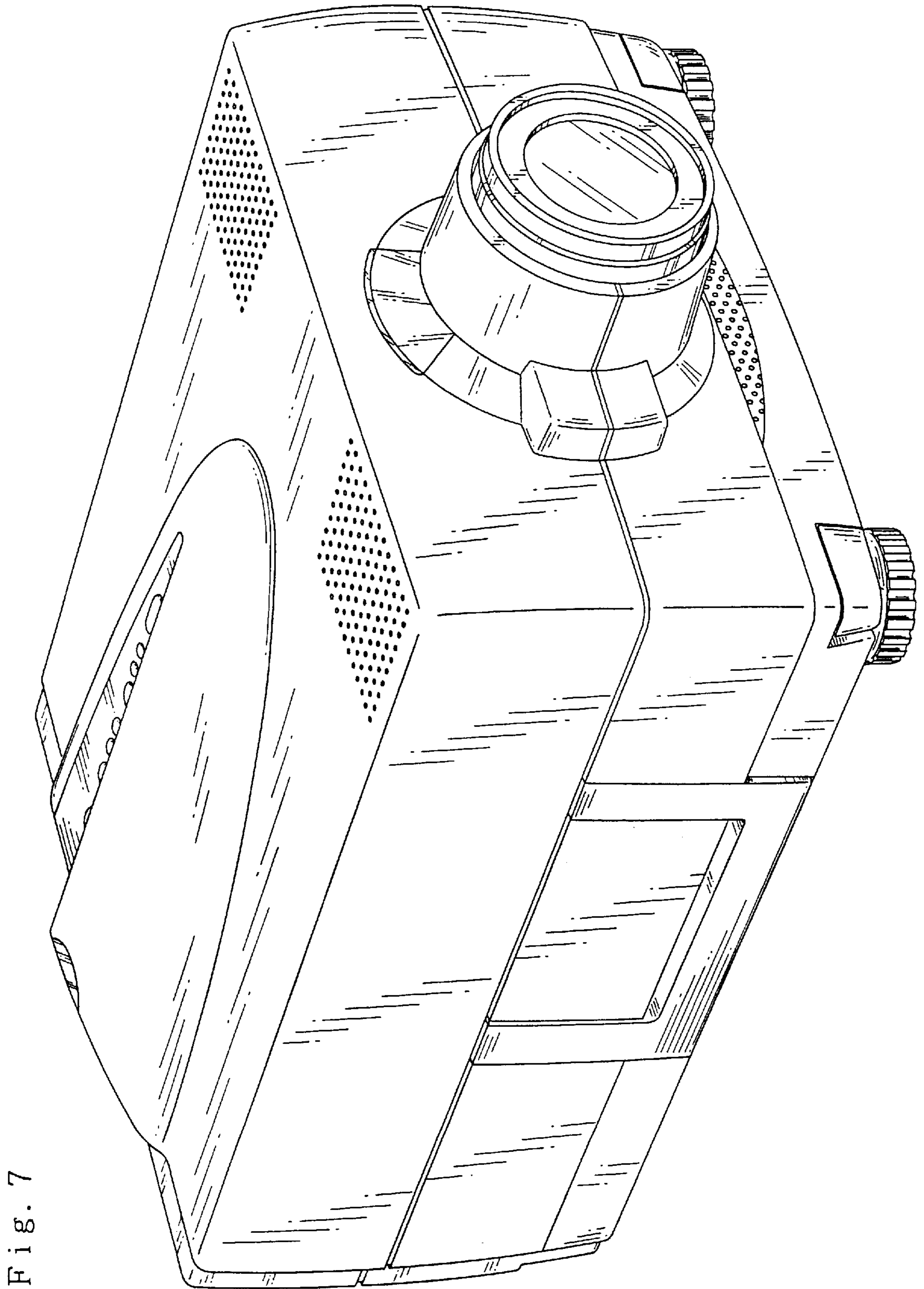


Fig. 7