



US00D410018S

United States Patent [19]

[11] **Patent Number: Des. 410,018**

Tashiro

[45] **Date of Patent: ** May 18, 1999**

[54] **VIDEO CAMERA WITH VIDEO TAPE RECORDER**

D. 392,659 3/1998 Takano D16/202
D. 394,443 5/1998 Hayashi et al. D16/202

[75] Inventor: **Naoki Tashiro**, Kawasaki, Japan

OTHER PUBLICATIONS

Sony Handycam Catalog, p. 19 (SC 55), Mar. 1996.

[73] Assignee: **Canon Kabushiki Kaisha**, Tokyo, Japan

Primary Examiner—Adir Aronovich
Attorney, Agent, or Firm—Fitzpatrick, Cella, Harper & Scinto

[**] Term: **14 Years**

[21] Appl. No.: **29/091,277**

[57] CLAIM

[22] Filed: **Jul. 27, 1998**

The ornamental design for a video camera with video tape recorder, as shown and described.

[30] Foreign Application Priority Data

Jan. 30, 1998 [JP] Japan 10-002423

DESCRIPTION

[51] **LOC (6) Cl.** **16-01**

FIG. 1 is a front view of a video camera with video tape recorder showing my new design;
FIG. 2 is a rear view thereof;
FIG. 3 is a top plan view thereof;
FIG. 4 is a bottom plan view thereof;
FIG. 5 is a left side view thereof;
FIG. 6 is a right side view thereof; and,
FIG. 7 is a perspective view thereof.

[52] **U.S. Cl.** **D16/202**

[58] **Field of Search** D16/200-208;
348/373-376; 352/242, 243; 358/906, 909.1

[56] References Cited

U.S. PATENT DOCUMENTS

D. 384,088 9/1997 Isozaki et al. D16/202
D. 387,078 12/1997 Akita D16/202

1 Claim, 3 Drawing Sheets

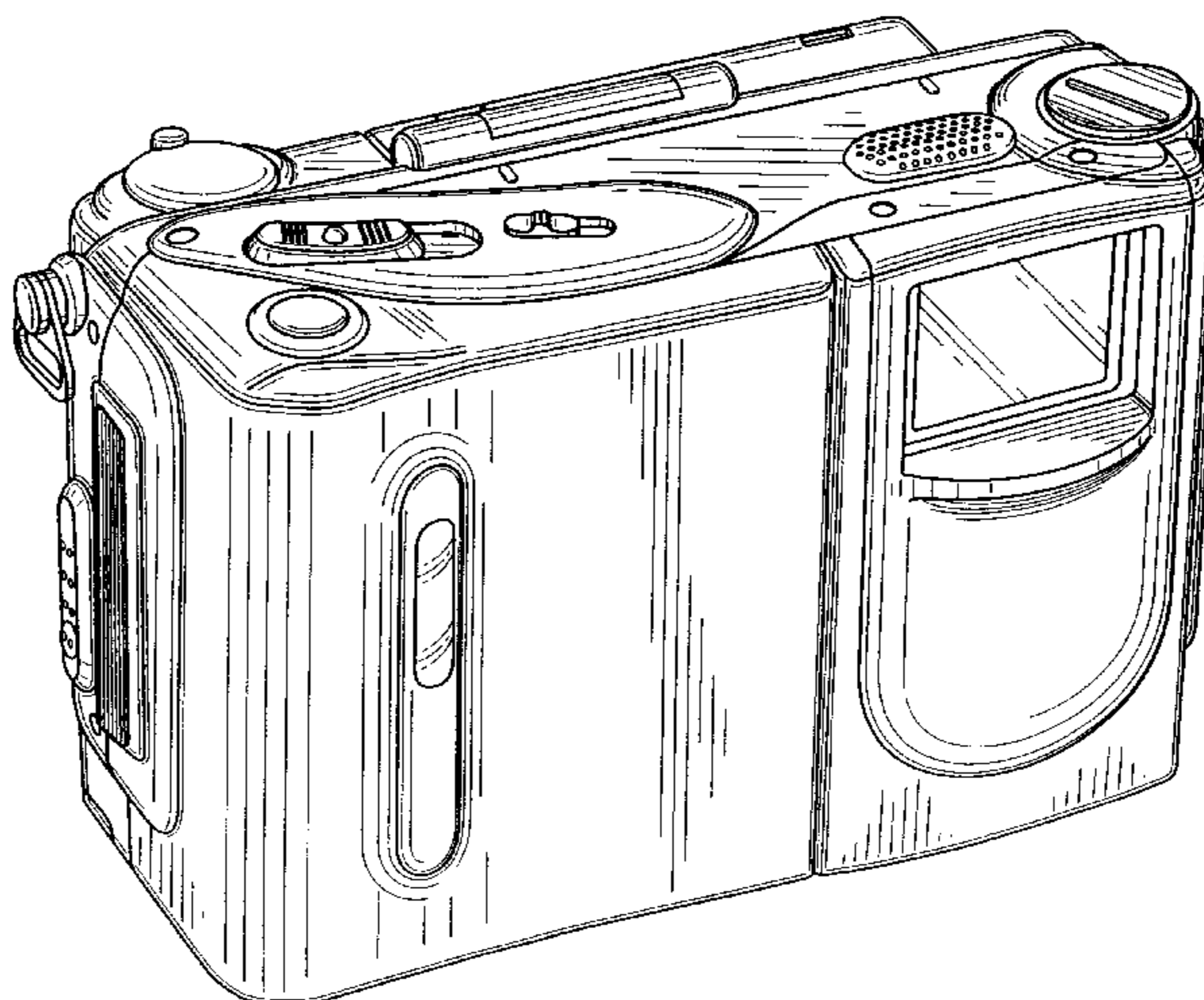
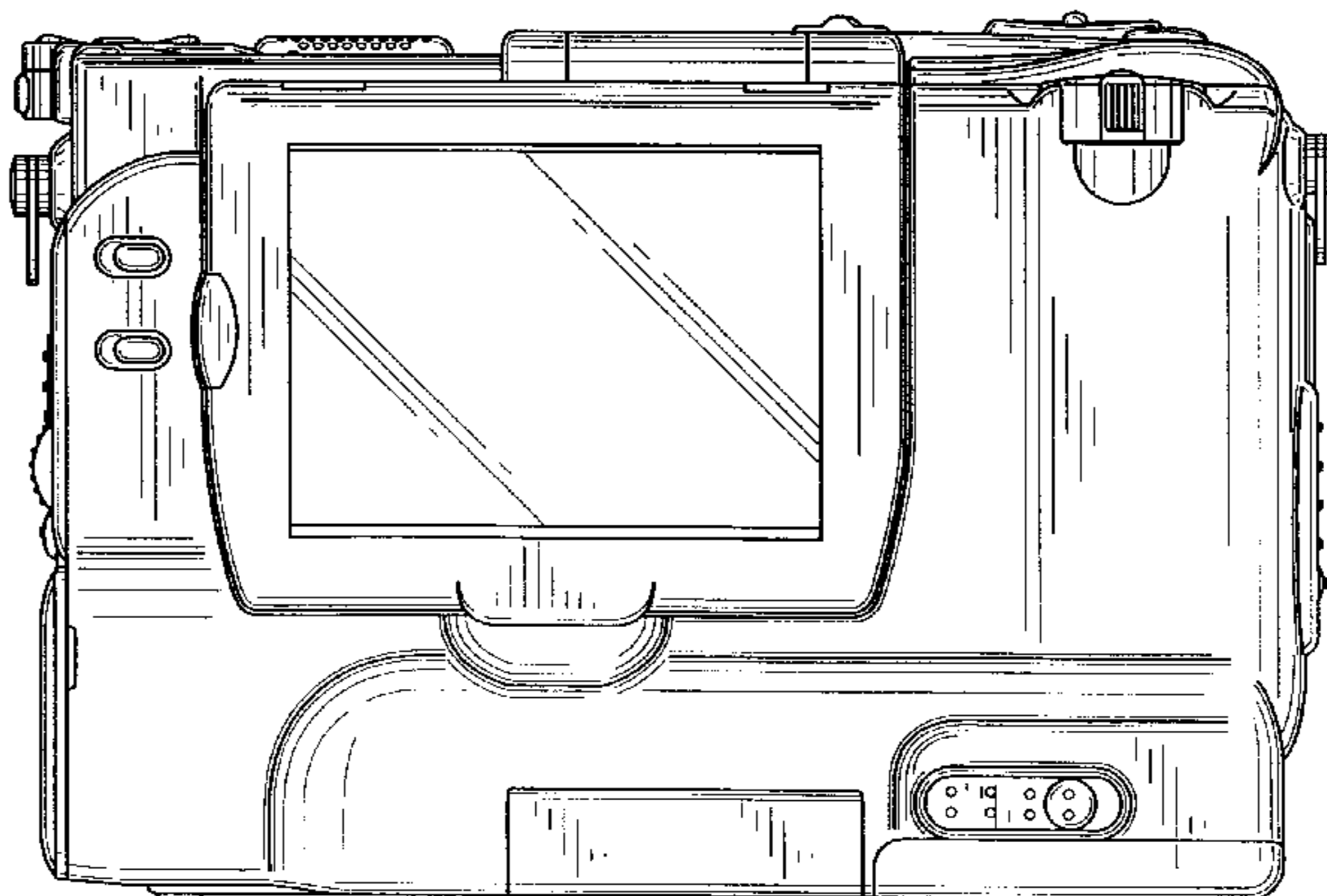


FIG. 1

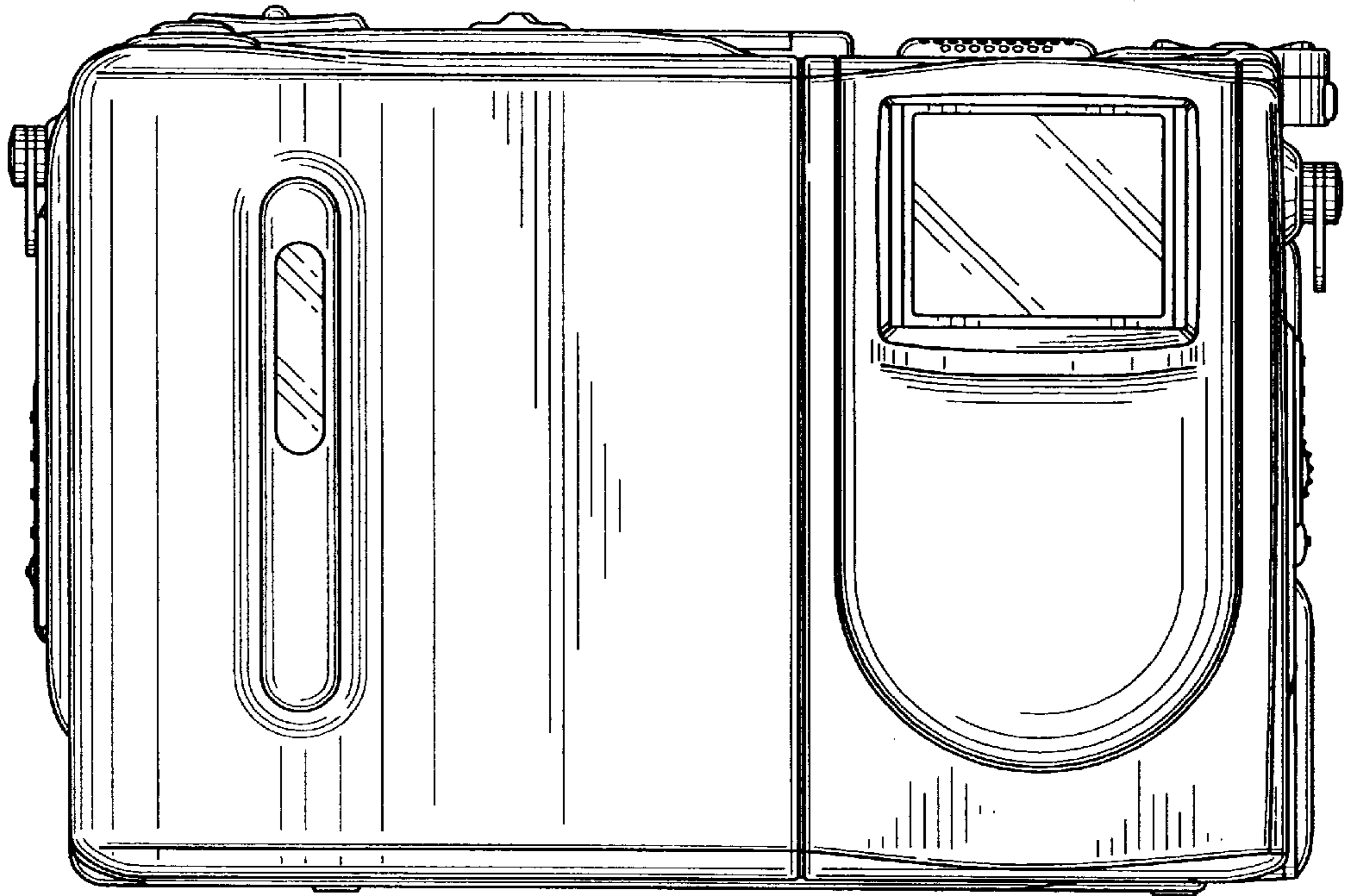


FIG. 2

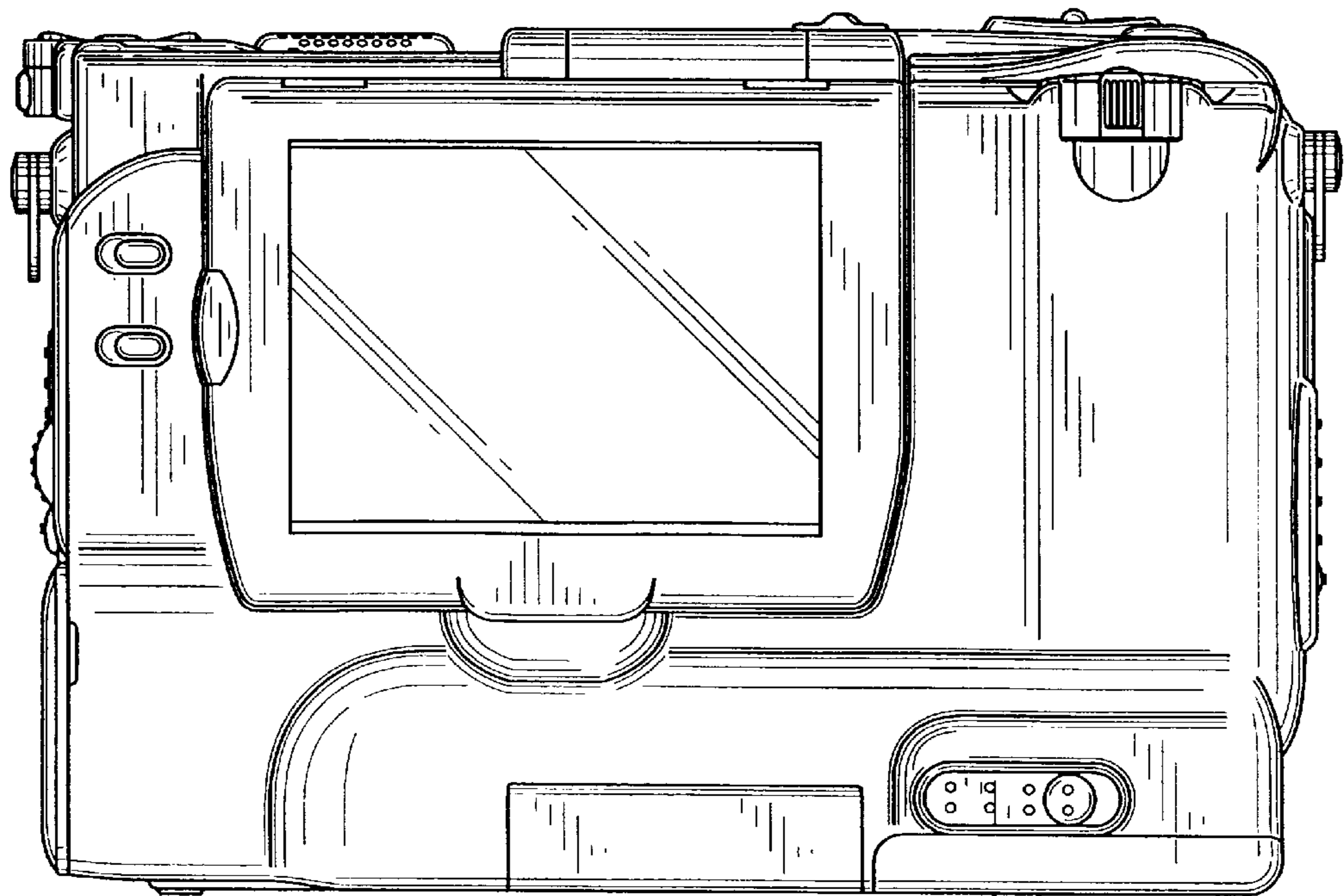


FIG. 3

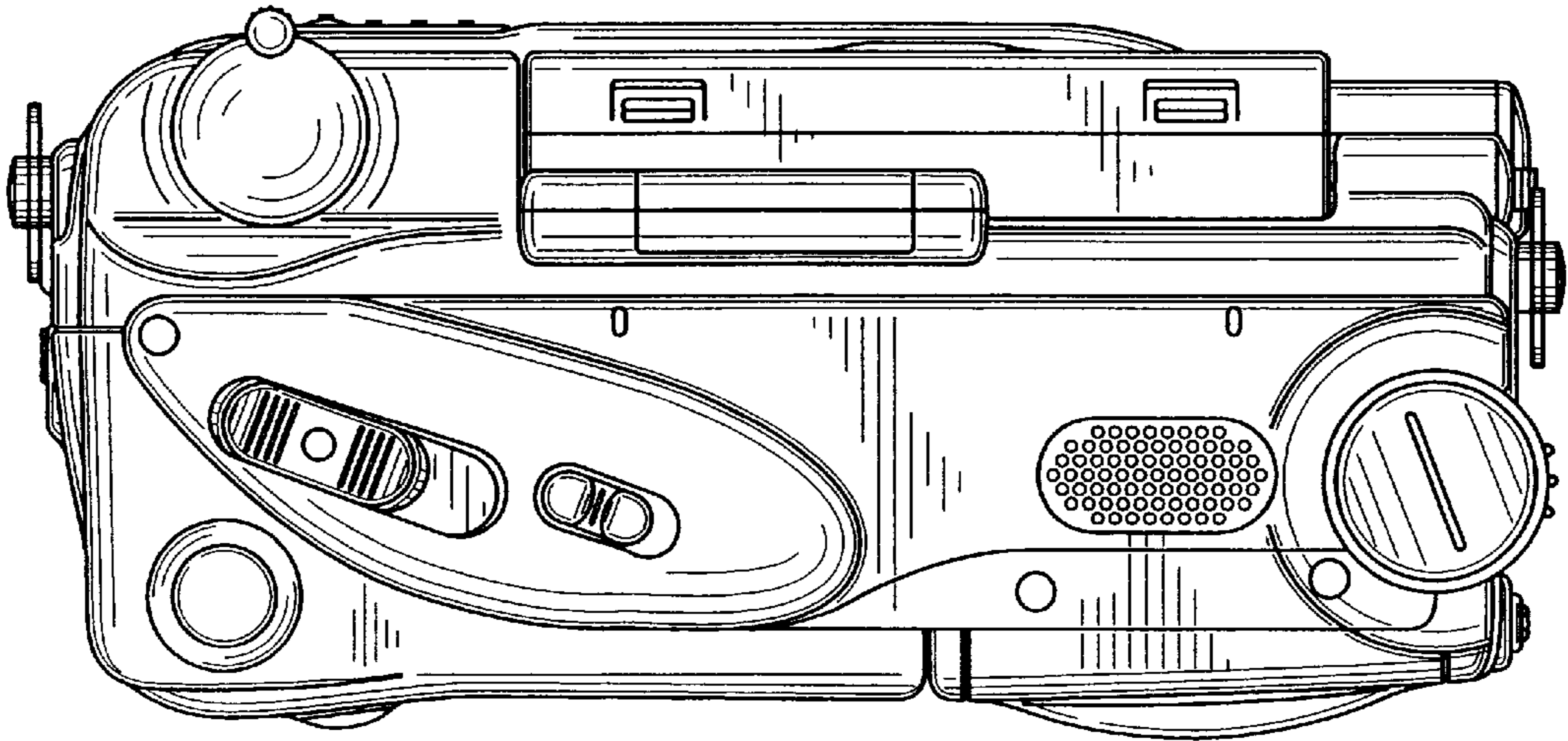


FIG. 4

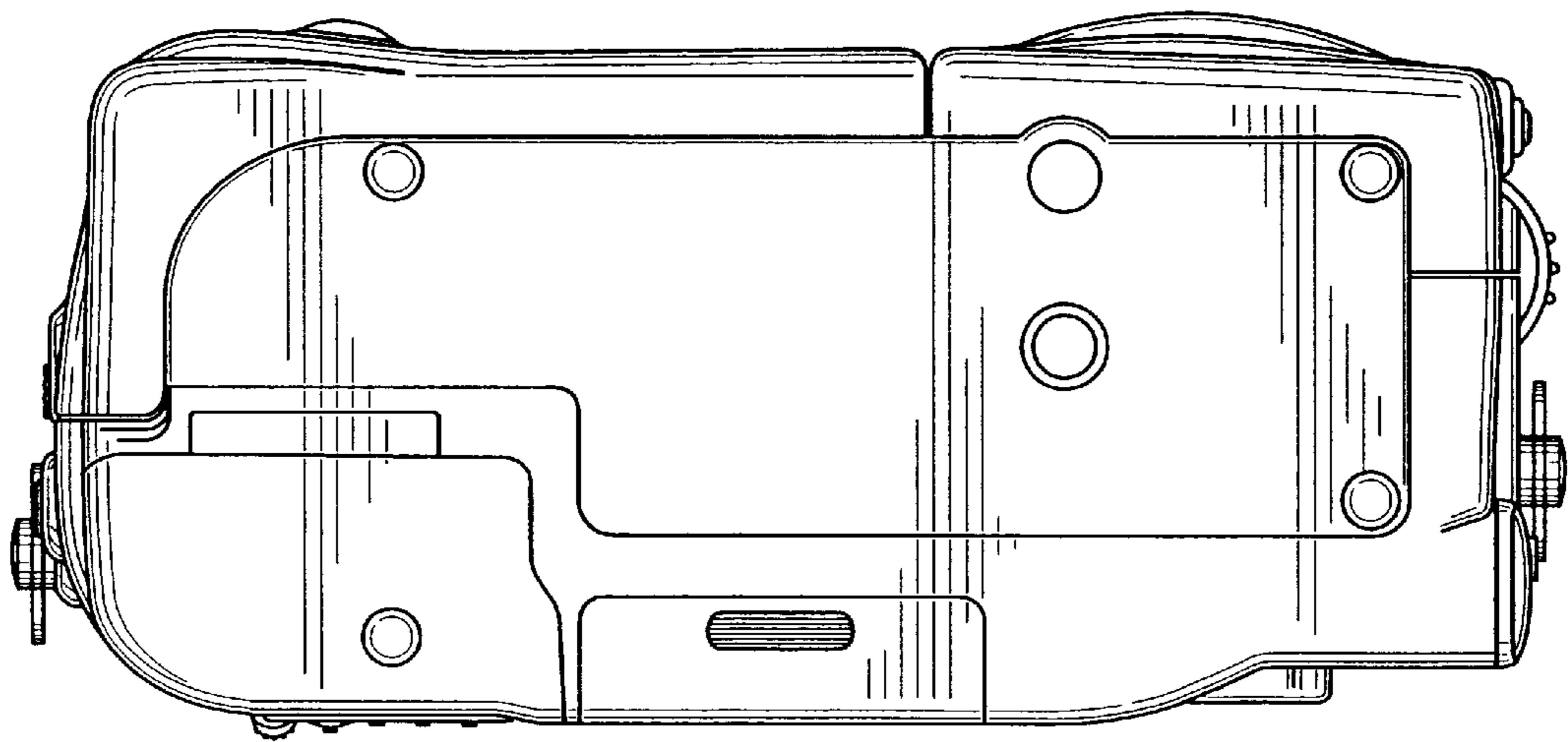


FIG. 5

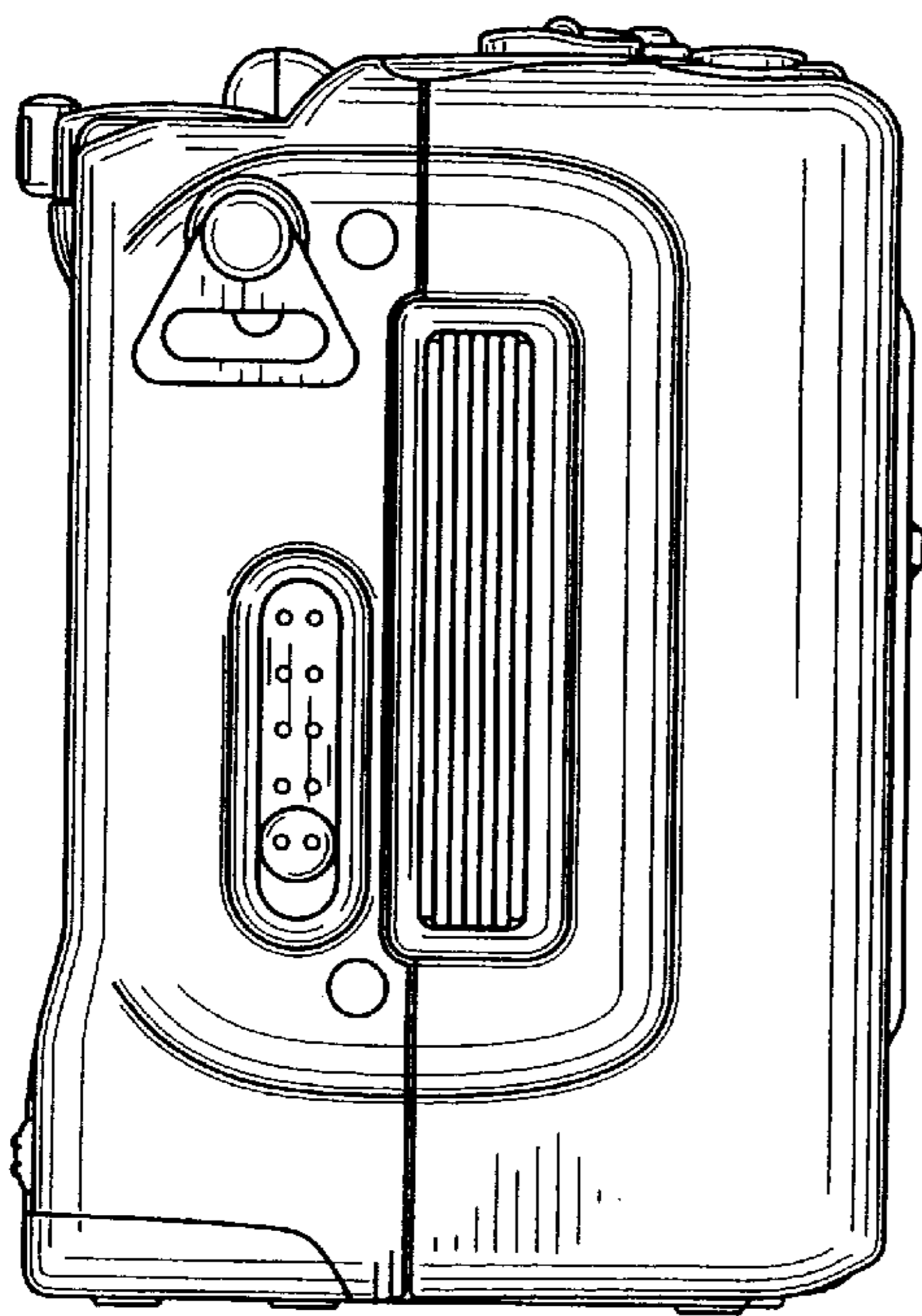


FIG. 6

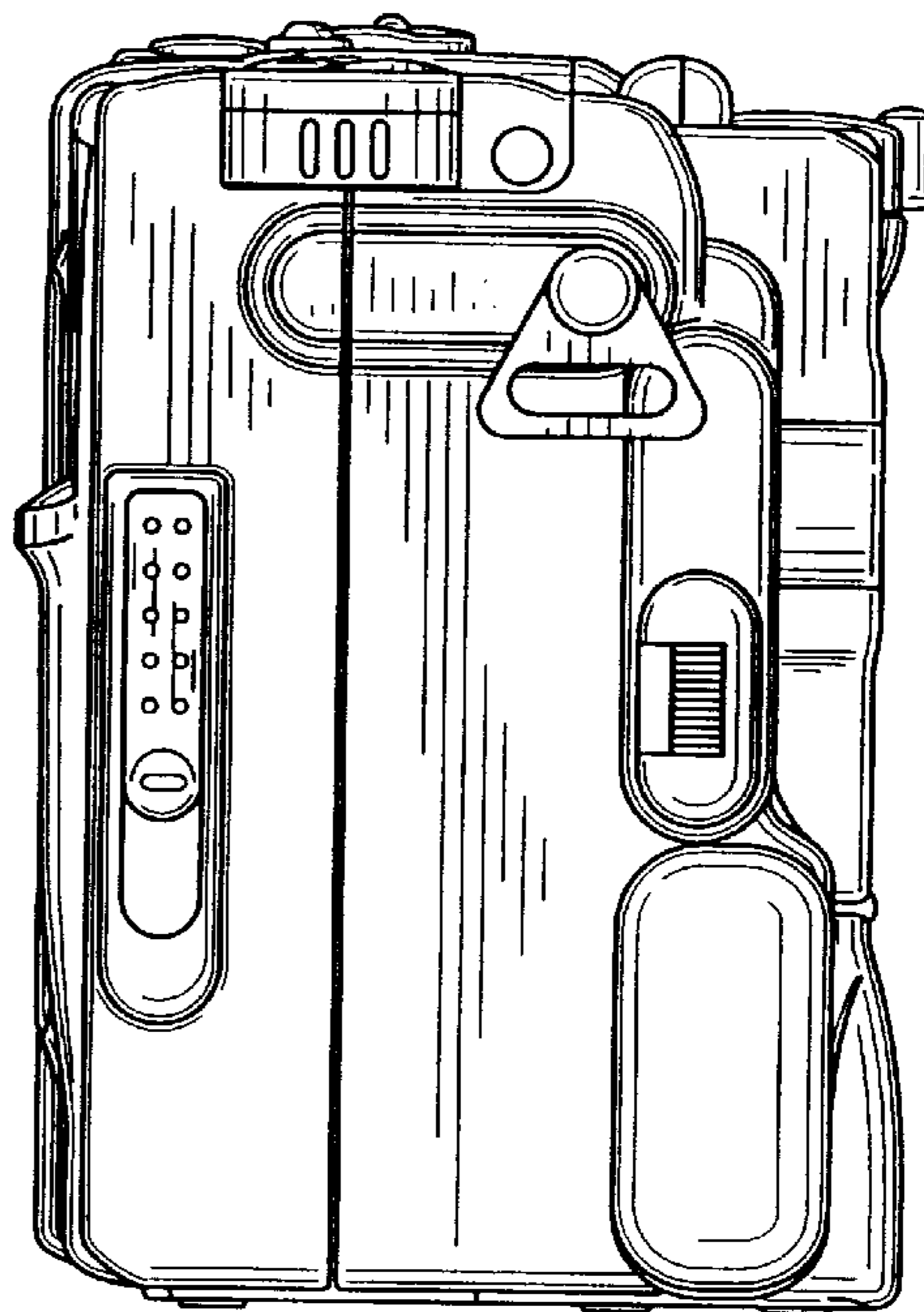


FIG. 7

