



US00D410017S

United States Patent [19]

[11] **Patent Number: Des. 410,017**

Goto et al.

[45] **Date of Patent: ** May 18, 1999**

[54] **COMBINED VIDEO CAMERA WITH VIDEO TAPE RECORDER**

OTHER PUBLICATIONS

[75] Inventors: **Masaaki Goto; Koji Masano; Shigetada Ninomiya; Akira Onoda**, all of Ehime, Japan

Video Magazine, p. 2 (Cannon's USC3), Jan. 1993.
Camcorder, p. 29 (Hitachi's VM-H39A), Dec. 1993.
Panasonic Sportsmate Digicam NV-DS5 Model, Catalog issued before Dec. 17, 1997.

[73] Assignee: **Matsushita Electric Industrial Co., Ltd.**

Primary Examiner—Philip S. Hyder
Assistant Examiner—Adir Aronovich
Attorney, Agent, or Firm—Saidman DesignLaw Group

[**] Term: **14 Years**

[57] **CLAIM**

[21] Appl. No.: **29/088,338**

The ornamental design for a combined video camera with video tape recorder, as shown and described.

[22] Filed: **May 21, 1998**

[30] **Foreign Application Priority Data**

DESCRIPTION

Dec. 17, 1997 [JP] Japan 9-78822

[51] **LOC (6) Cl.** **16-01**

[52] **U.S. Cl.** **D16/202**

[58] **Field of Search** D16/200-208;
348/373-376; 352/242, 243; 358/906; 396/535-543

FIG. 1 is a perspective view of the top, front and right side of a combined video camera with video tape recorder showing our new design;

FIG. 2 is a front view thereof;

FIG. 3 is a rear view thereof;

FIG. 4 is a top plan view thereof;

FIG. 5 is a bottom view thereof;

FIG. 6 is a right side view thereof;

FIG. 7 is a left side view thereof; and,

FIG. 8 is a perspective view of the top, rear and right side thereof with the eye piece and the liquid crystal monitor in operative position.

[56] **References Cited**

U.S. PATENT DOCUMENTS

D. 384,085 9/1997 Harata D16/202
D. 391,281 2/1998 Itakura et al. D16/202
D. 394,075 5/1998 Ninomiya et al. D16/202
5,294,988 3/1994 Wakabayashi et al. 348/373

FOREIGN PATENT DOCUMENTS

976879 3/1997 Japan .

1 Claim, 4 Drawing Sheets

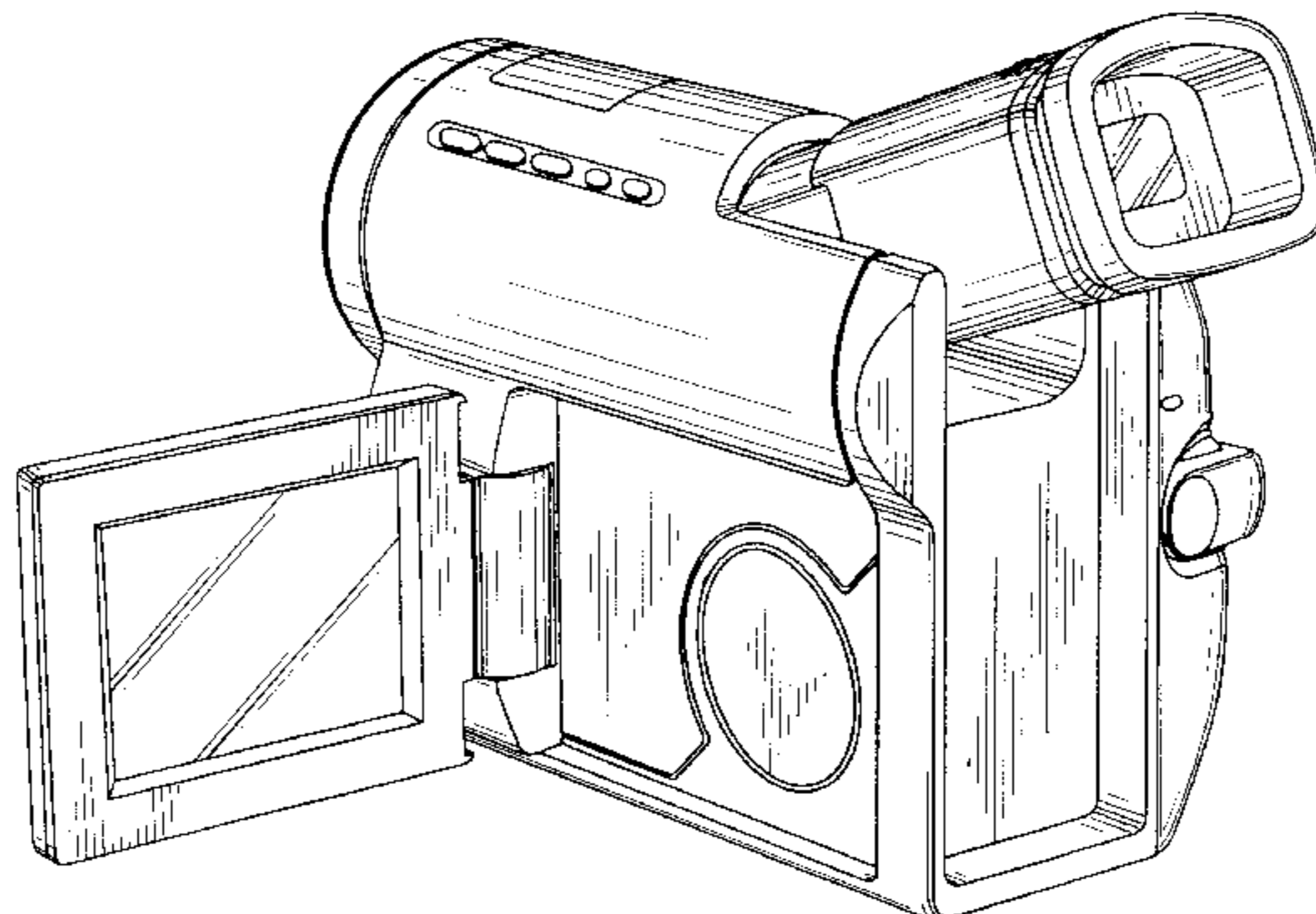
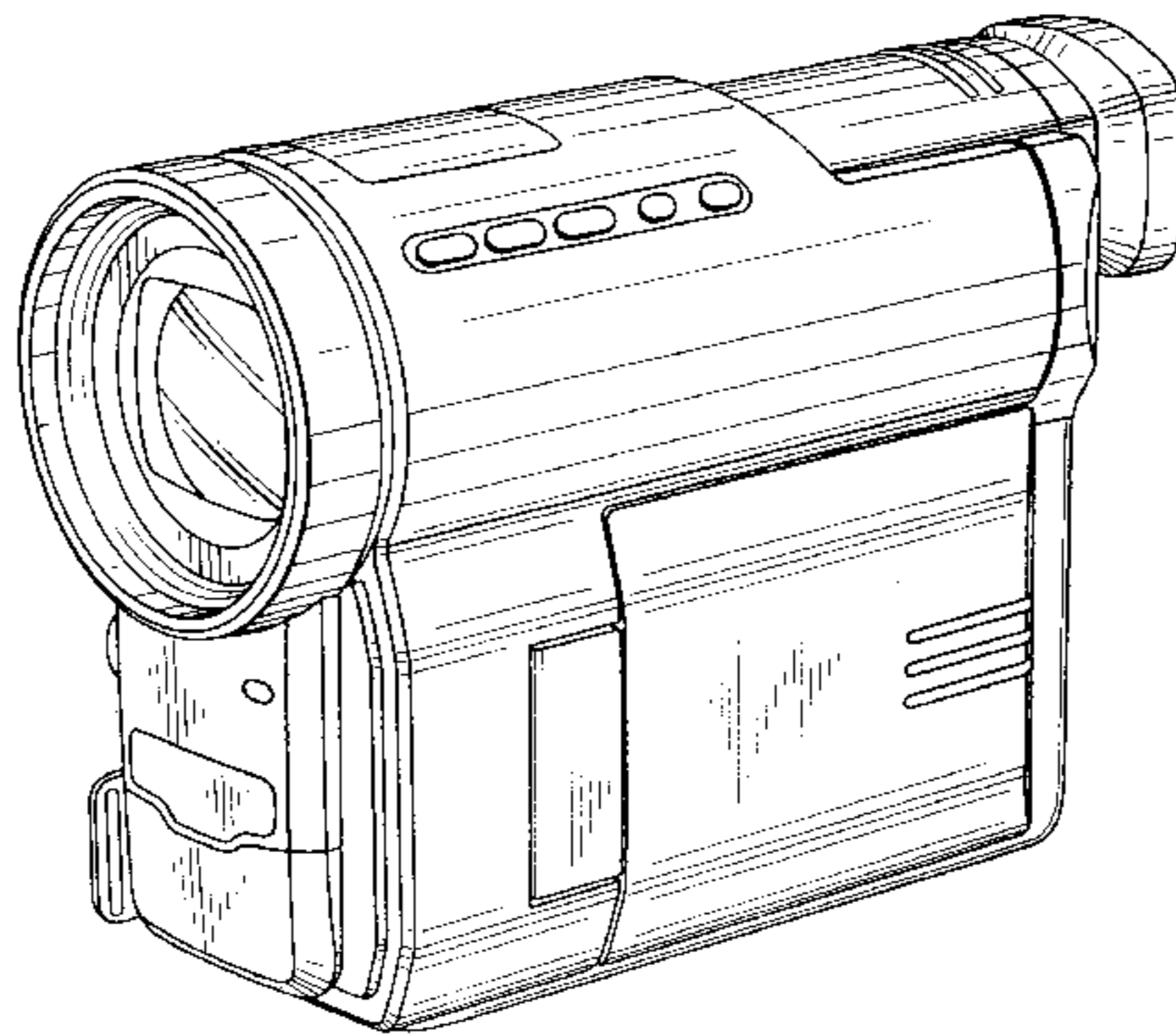


FIG. 1

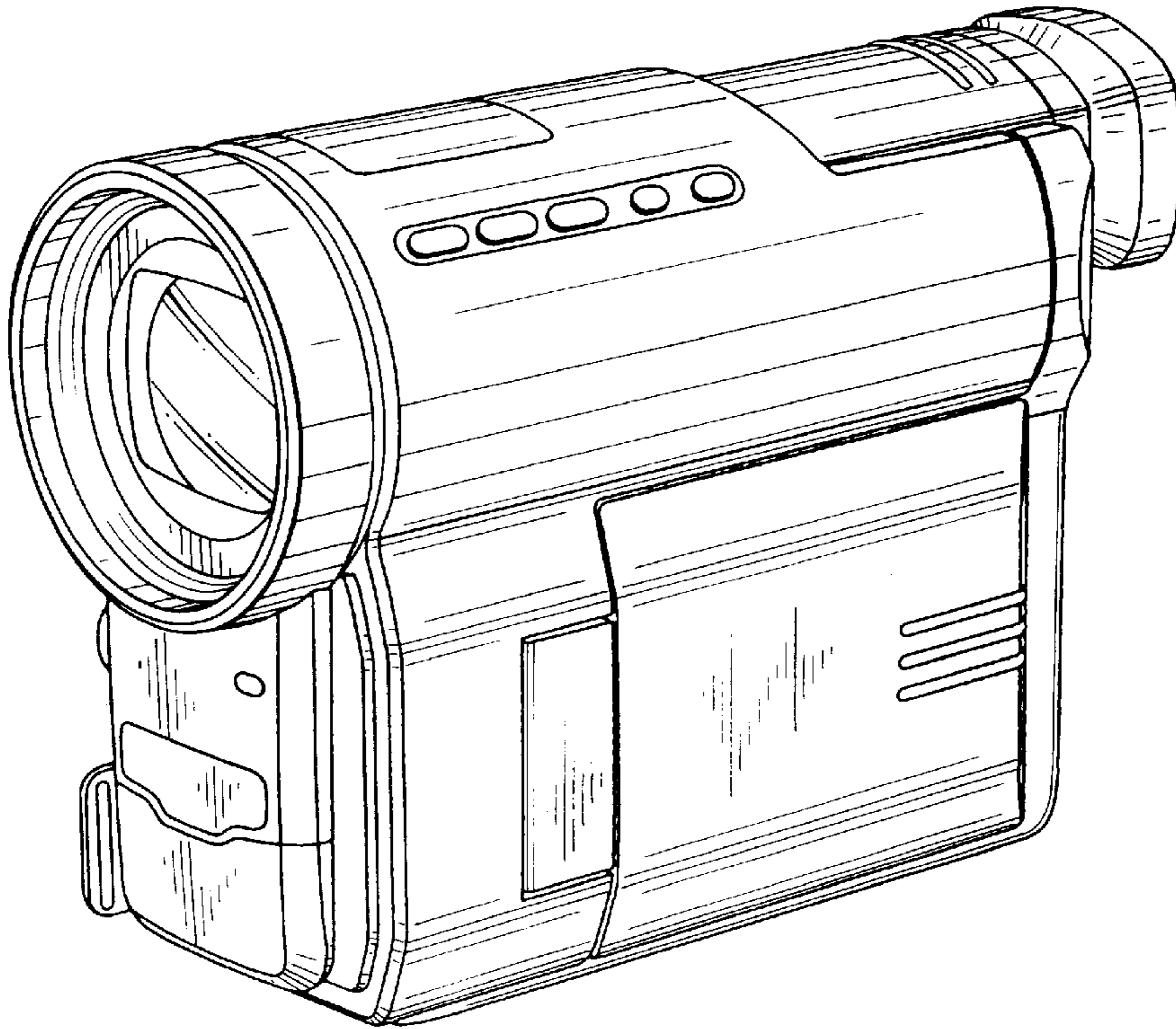


FIG. 2

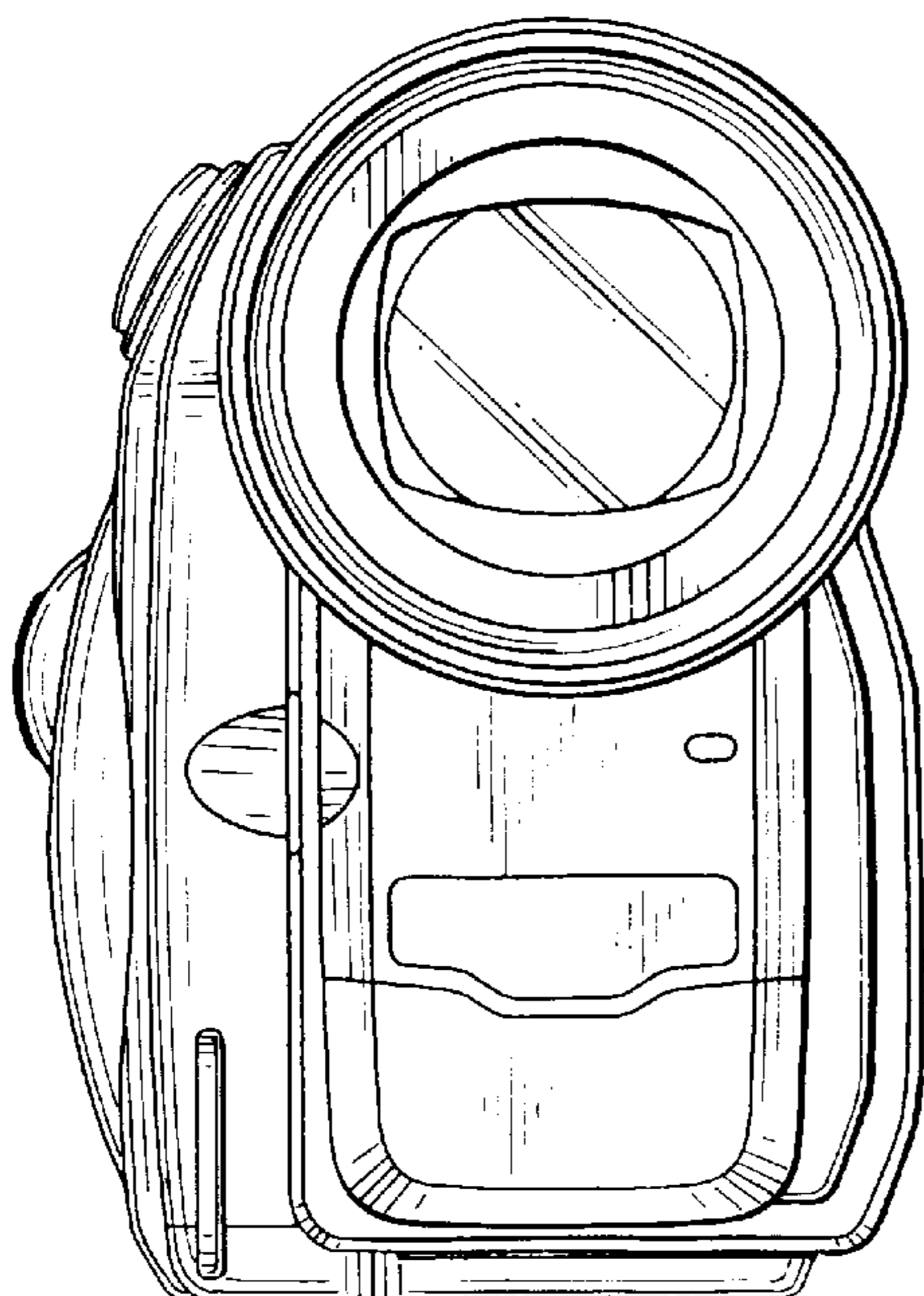


FIG. 3

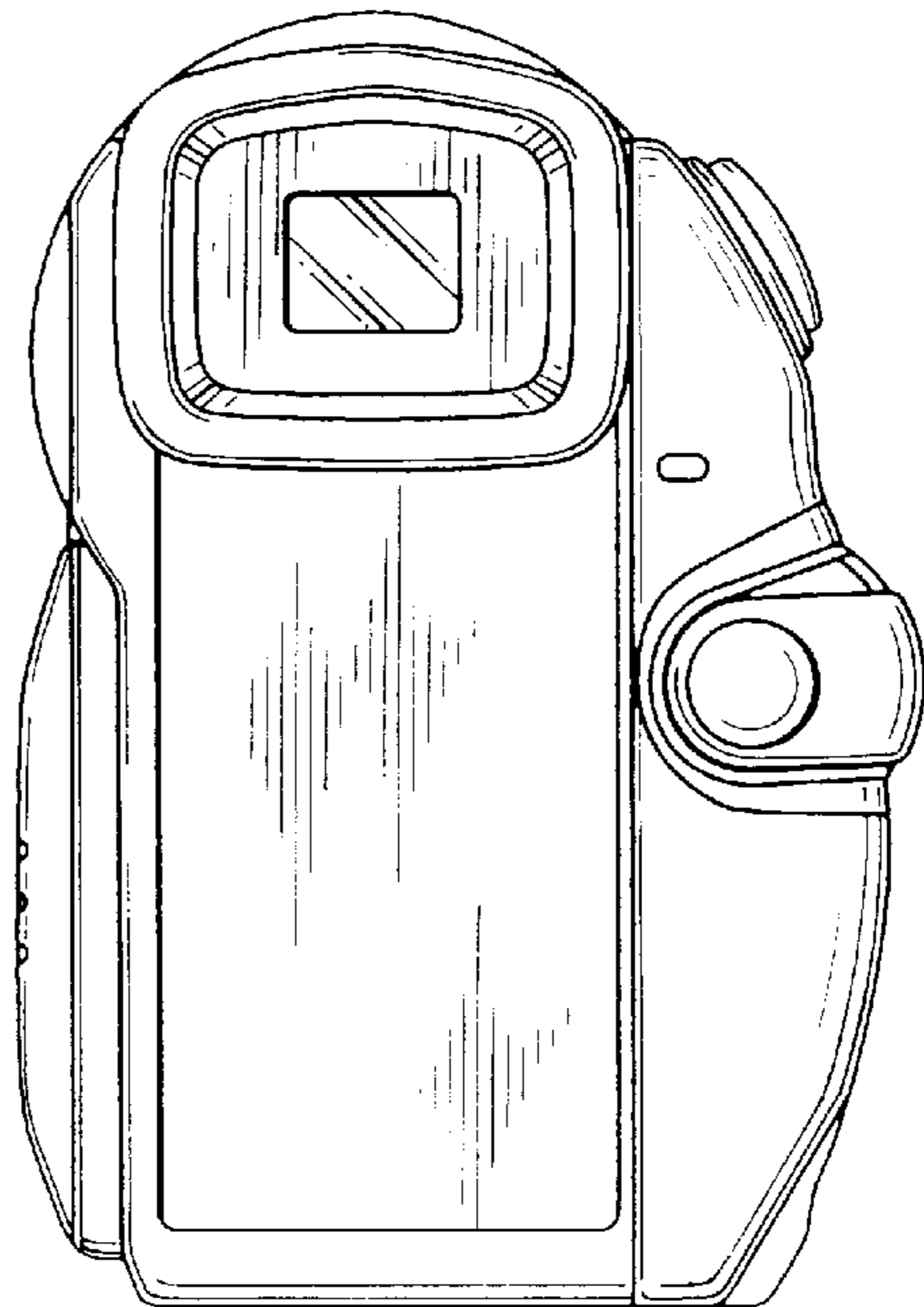


FIG. 4

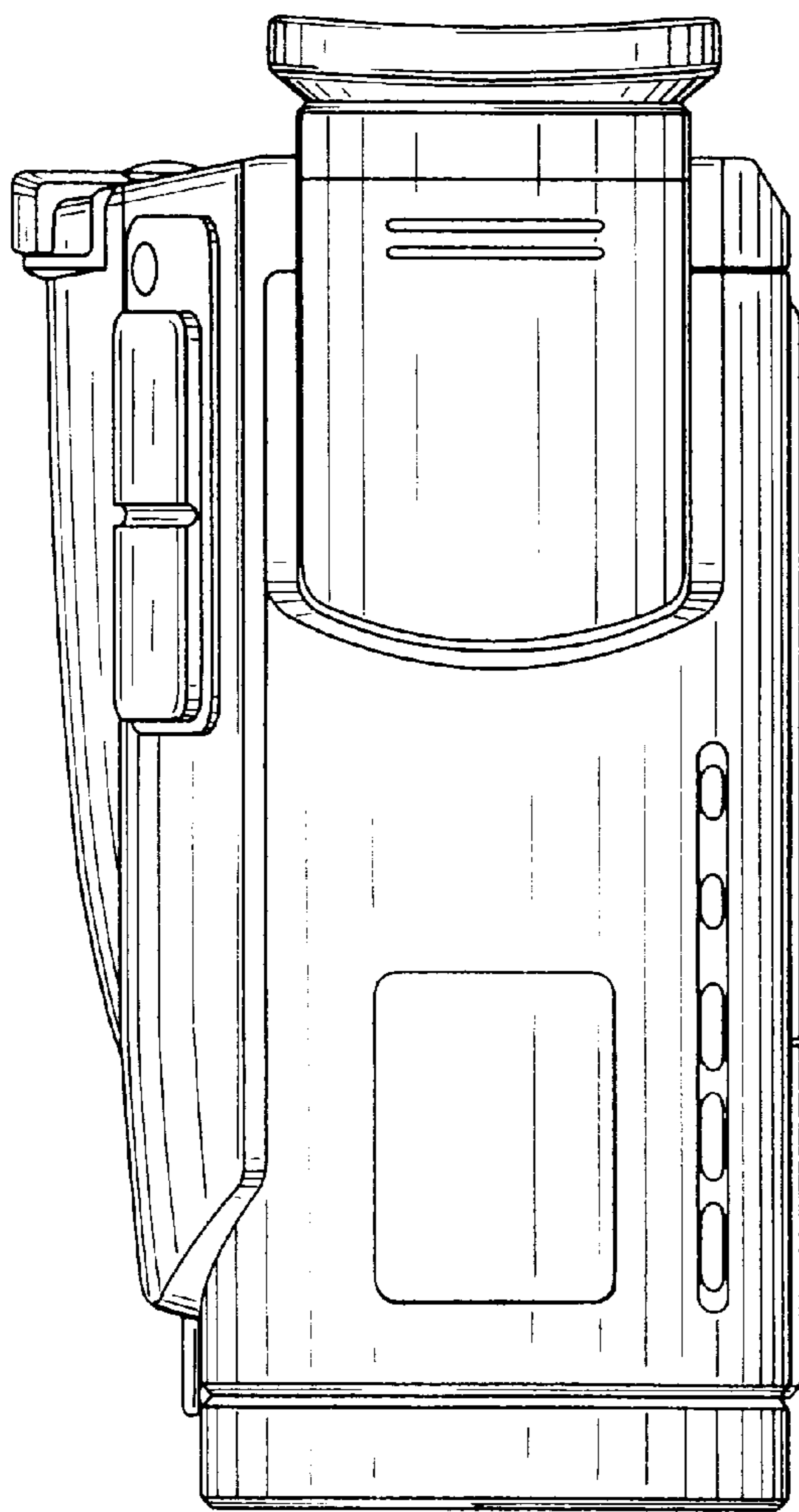


FIG. 5

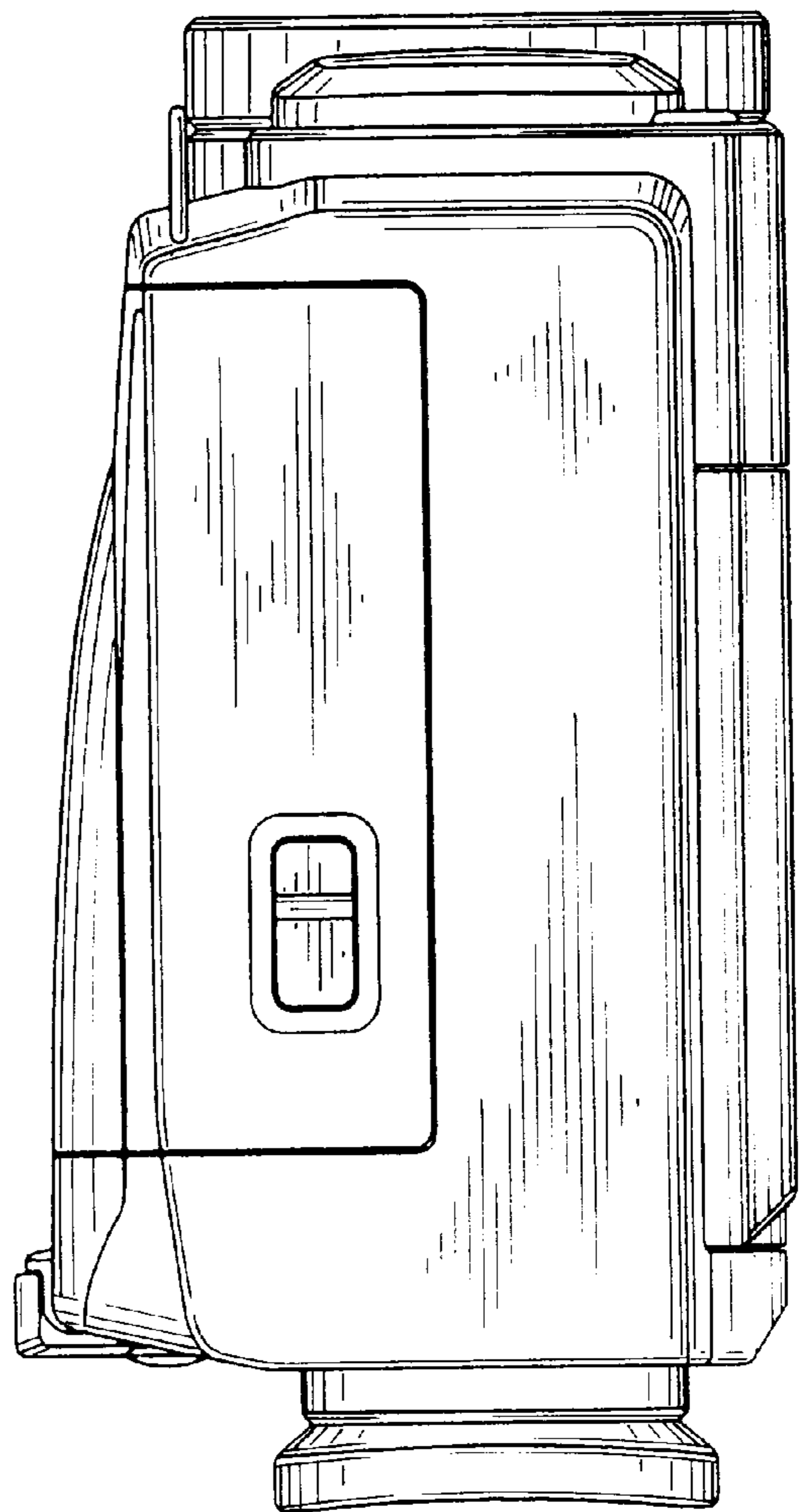


FIG. 6

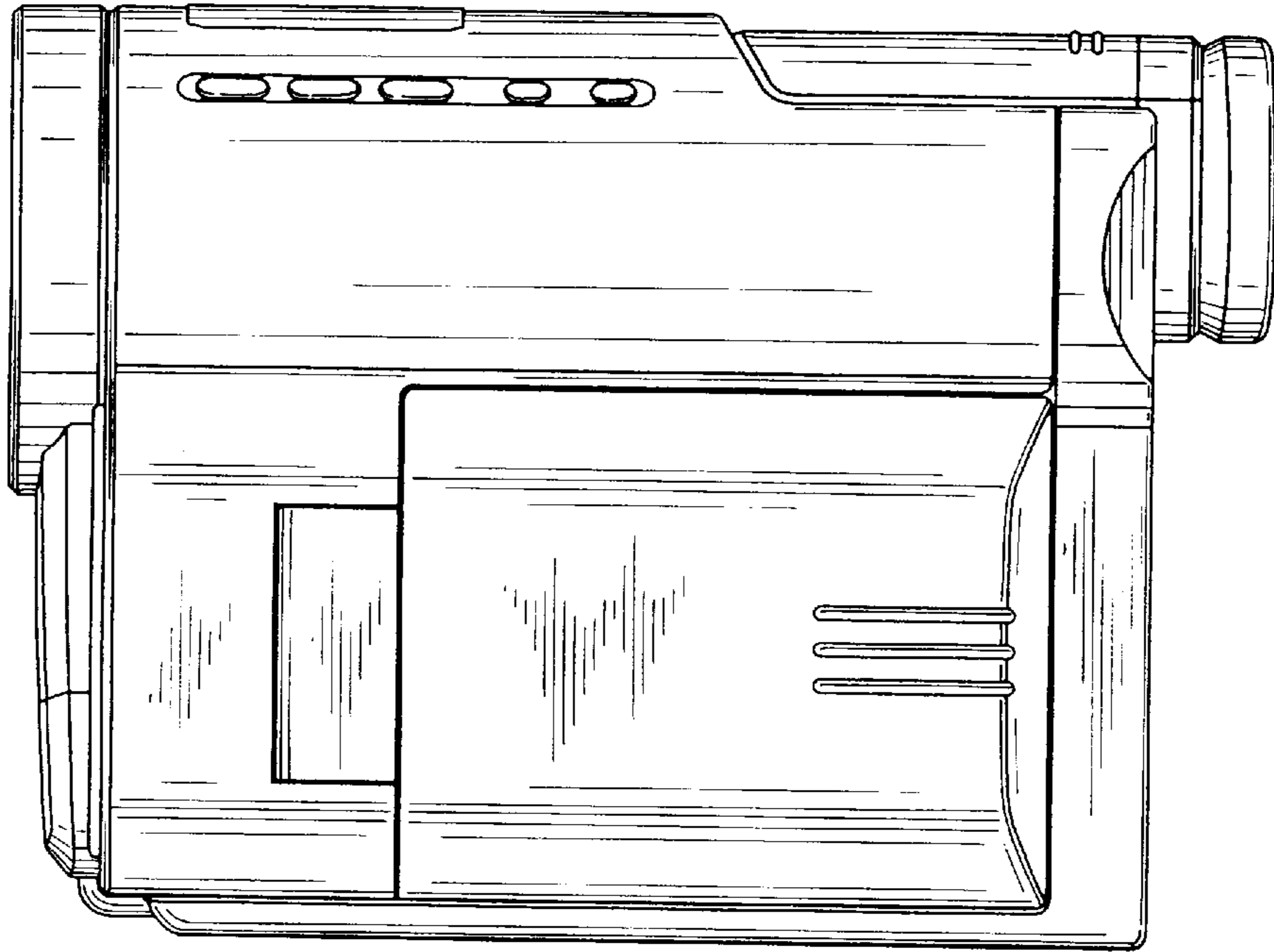


FIG. 7

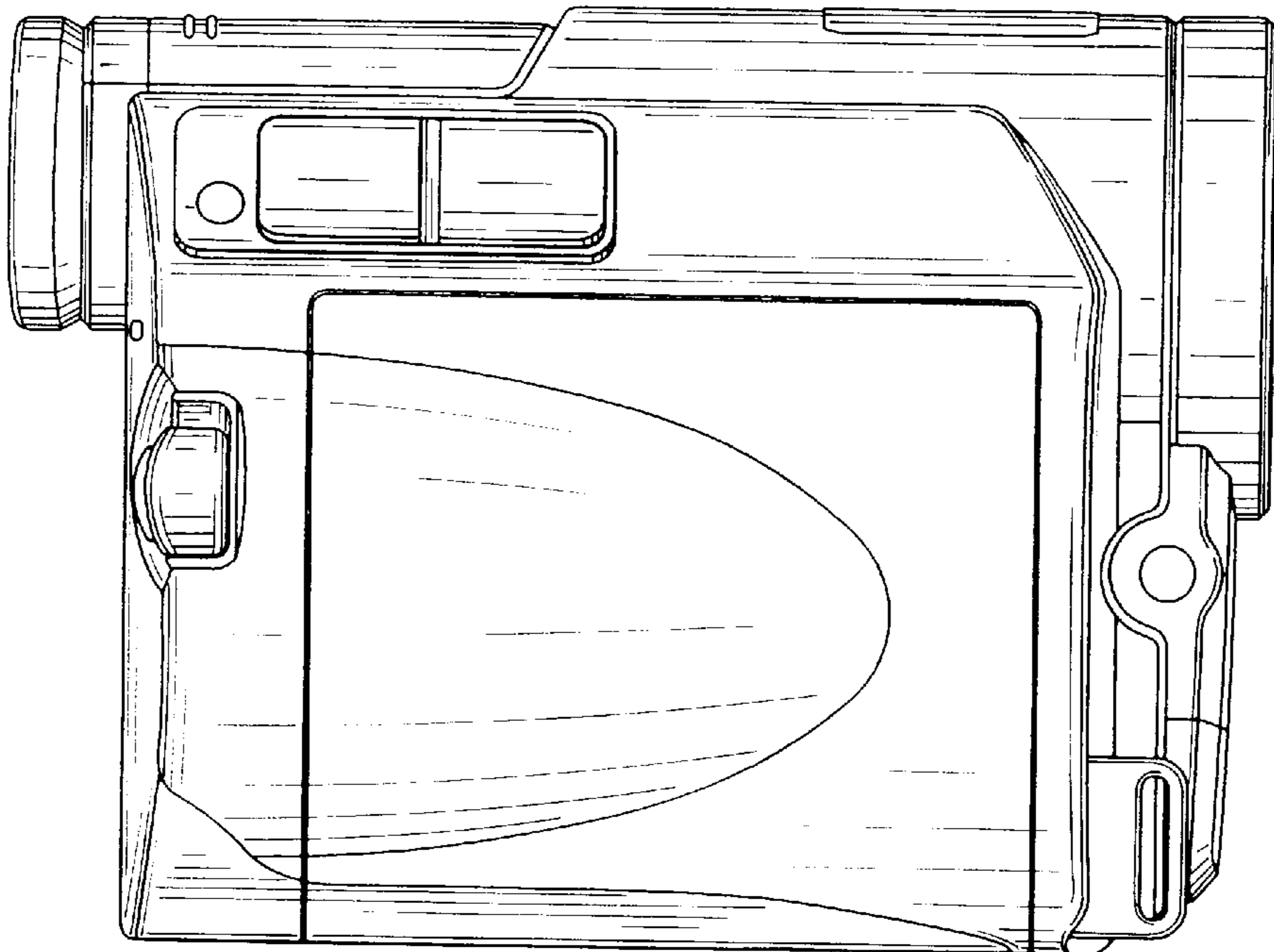


FIG. 8

