



US00D410016S

United States Patent [19] Maeyama

[11] Patent Number: **Des. 410,016**

[45] Date of Patent: **** May 18, 1999**

[54] COMBINED VIDEO TAPE RECORDER AND CAMERA

[75] Inventor: **Koichi Maeyama**, Tokyo, Japan

[73] Assignee: **Sony Corporation**, Tokyo, Japan

[**] Term: **14 Years**

[21] Appl. No.: **29/082,779**

[22] Filed: **Jan. 30, 1998**

[51] LOC (6) Cl. **16-01**

[52] U.S. Cl. **D16/202**

[58] Field of Search D16/200-208;
348/373-376; 352/242, 243; 358/906; 396/535-543

[56] References Cited

U.S. PATENT DOCUMENTS

D. 380,764	7/1997	Ishii	D16/202
D. 384,085	9/1997	Harata	D16/202
D. 385,568	10/1997	Harata	D16/202
5,294,988	3/1994	Wakabayashi et al.	348/373
5,499,052	3/1996	Nakanishi et al.	348/373

OTHER PUBLICATIONS

Catalog "87", pp. 6, 7, 8 & 9, Sony (Nov. 1997).

Primary Examiner—Adir Aronovich

Attorney, Agent, or Firm—Foley & Lardner

[57] CLAIM

The ornamental design for a combined video tape recorder and camera, as shown and described.

DESCRIPTION

FIG. 1 is a top, front perspective view of a combined video tape recorder and camera showing my new design;

FIG. 2 is a top, rear perspective view thereof, the viewing screen shown in an extending away position;

FIG. 3 is a top, rear perspective view thereof, the viewing screen shown in the first alternate position;

FIG. 4 is a top, rear perspective view thereof, the viewing screen shown in the second alternate position; and

FIG. 5 is a top, rear perspective view thereof, the viewing screen shown in the third alternate position;

FIG. 6 is a top plan view thereof;

FIG. 7 is a left side elevational view thereof;

FIG. 8 is a front elevational view thereof;

FIG. 9 is a right side elevational view thereof;

FIG. 10 is a rear elevational view thereof; and,

FIG. 11 is a top, front perspective view thereof, wherein the cover portion is in an open position.

1 Claim, 8 Drawing Sheets

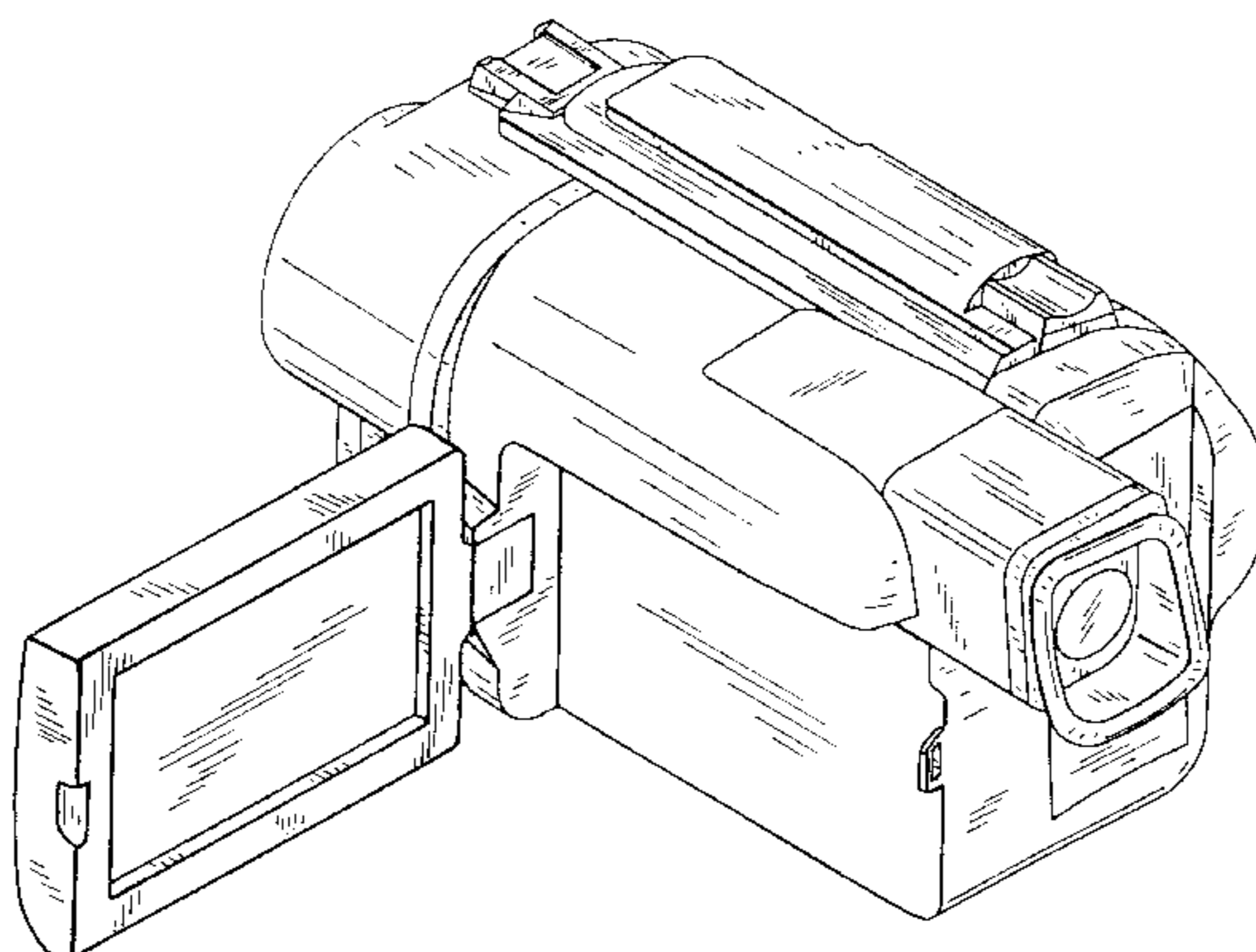
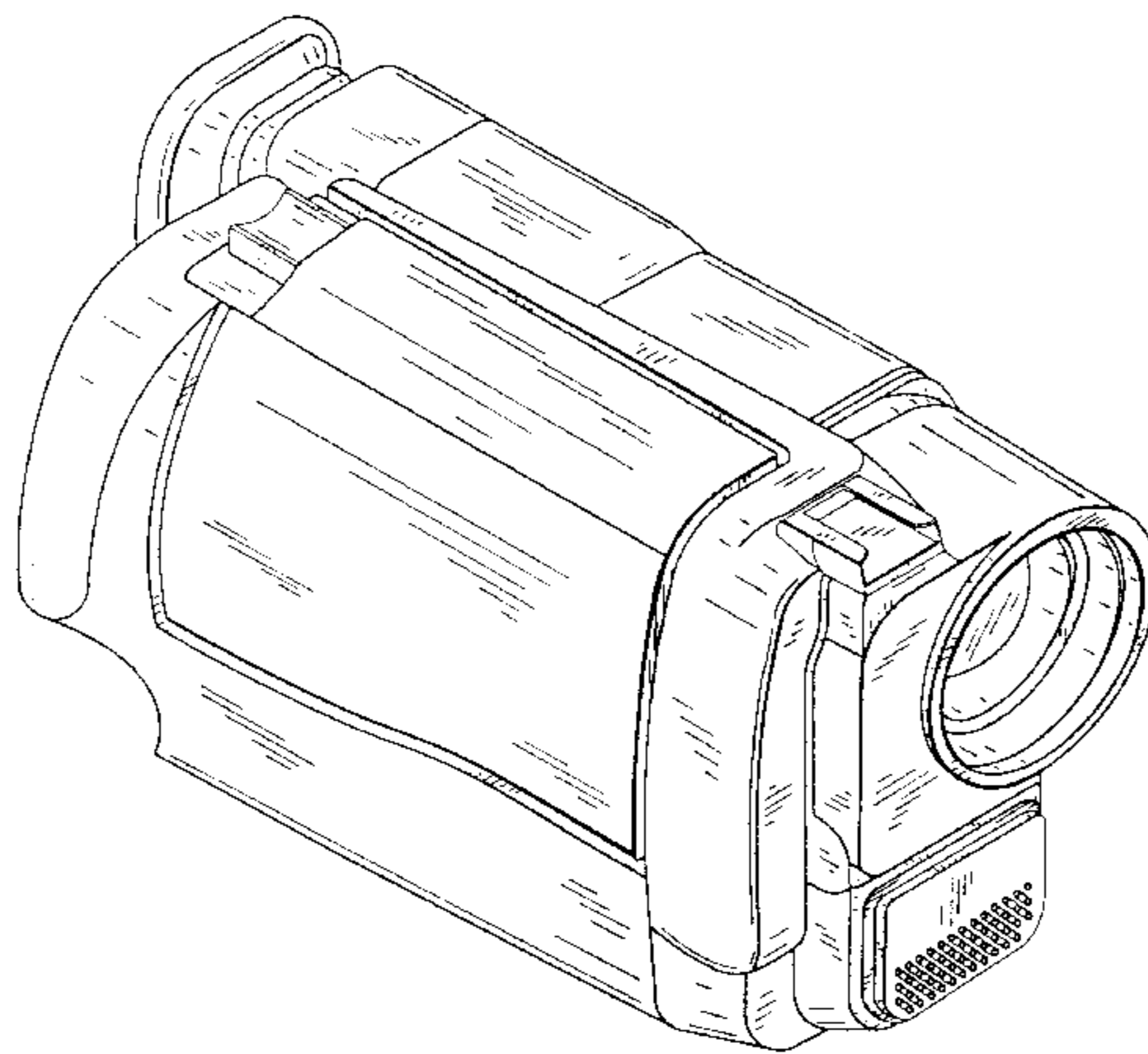


FIG. 1

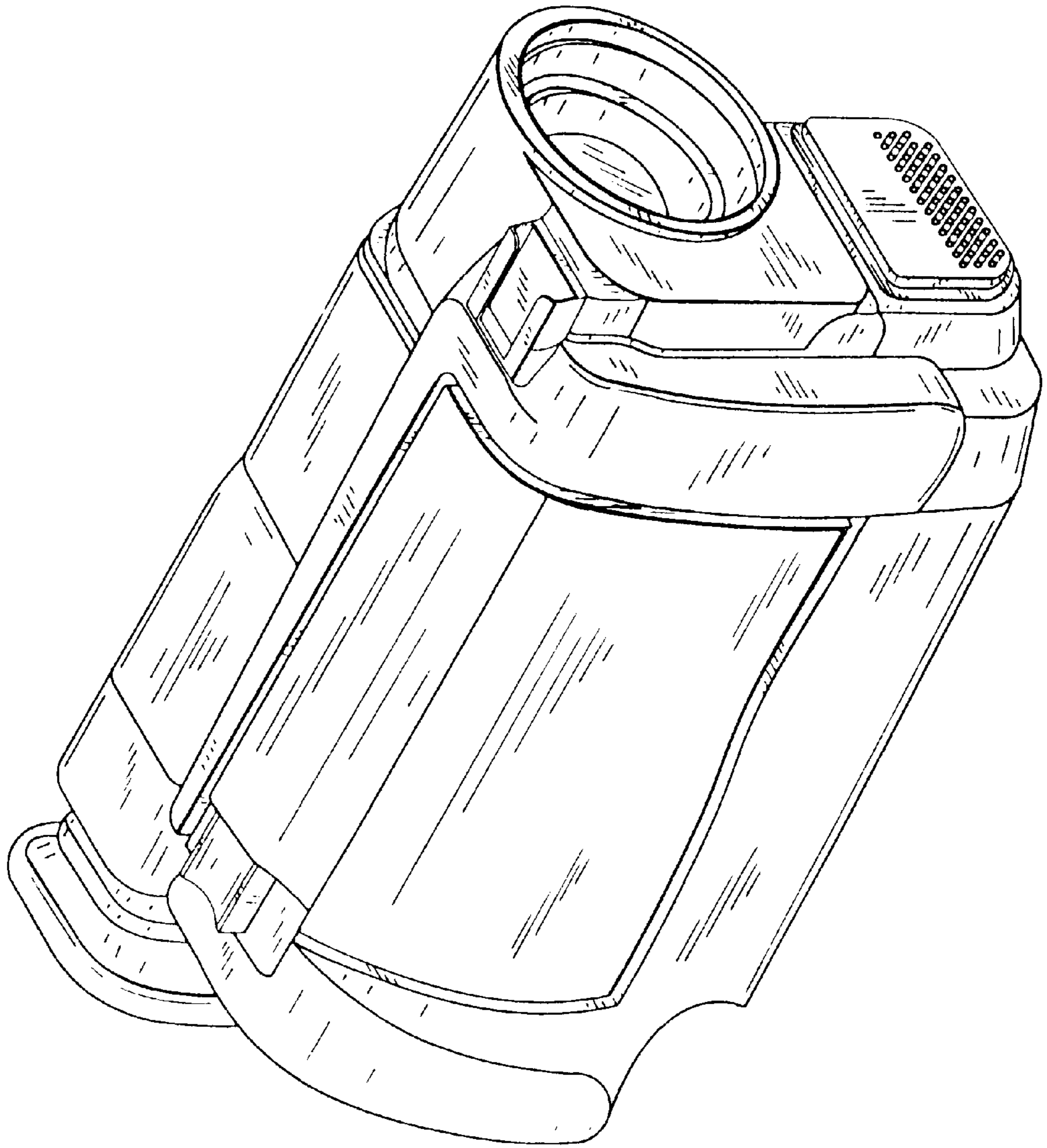


FIG. 2

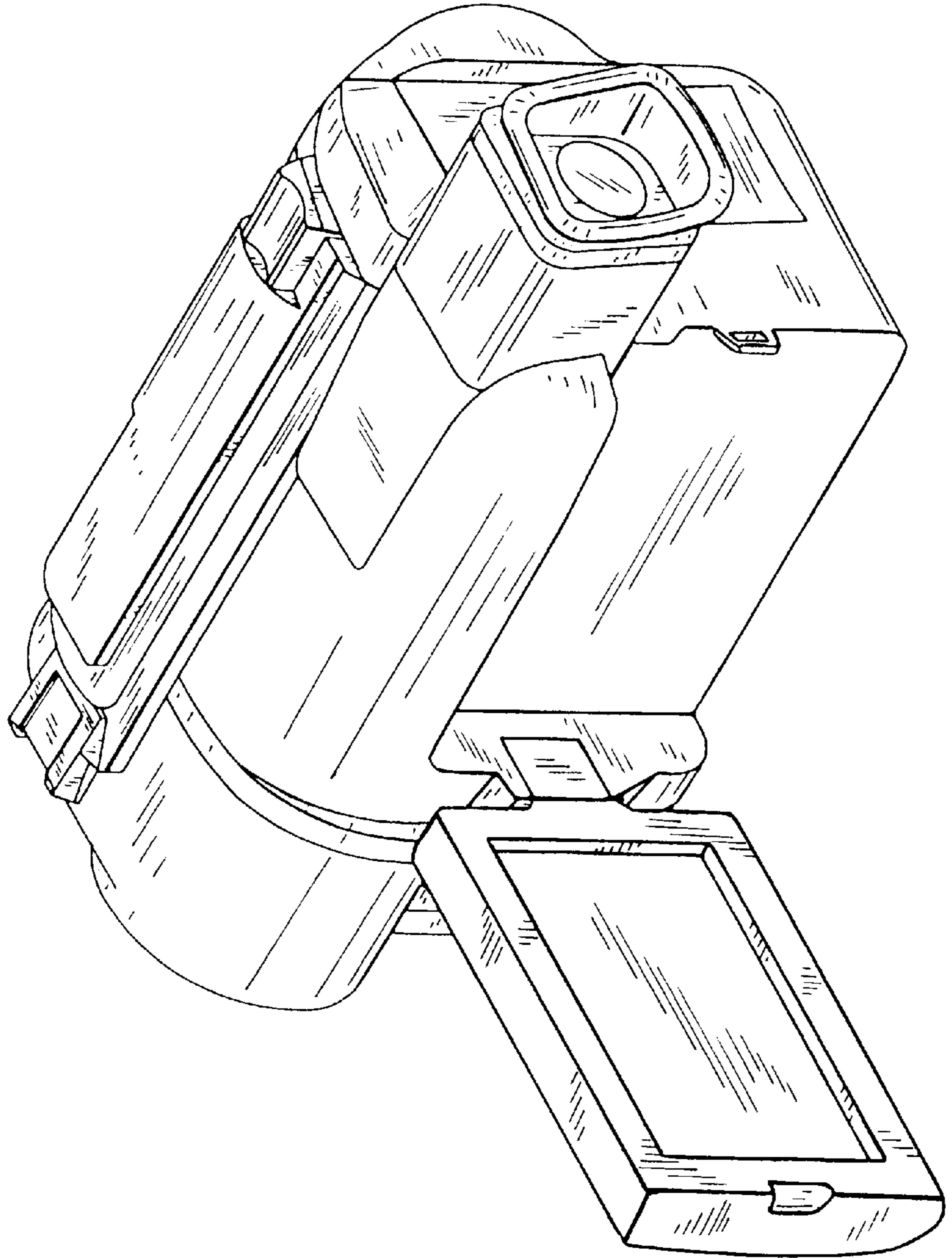


FIG. 3

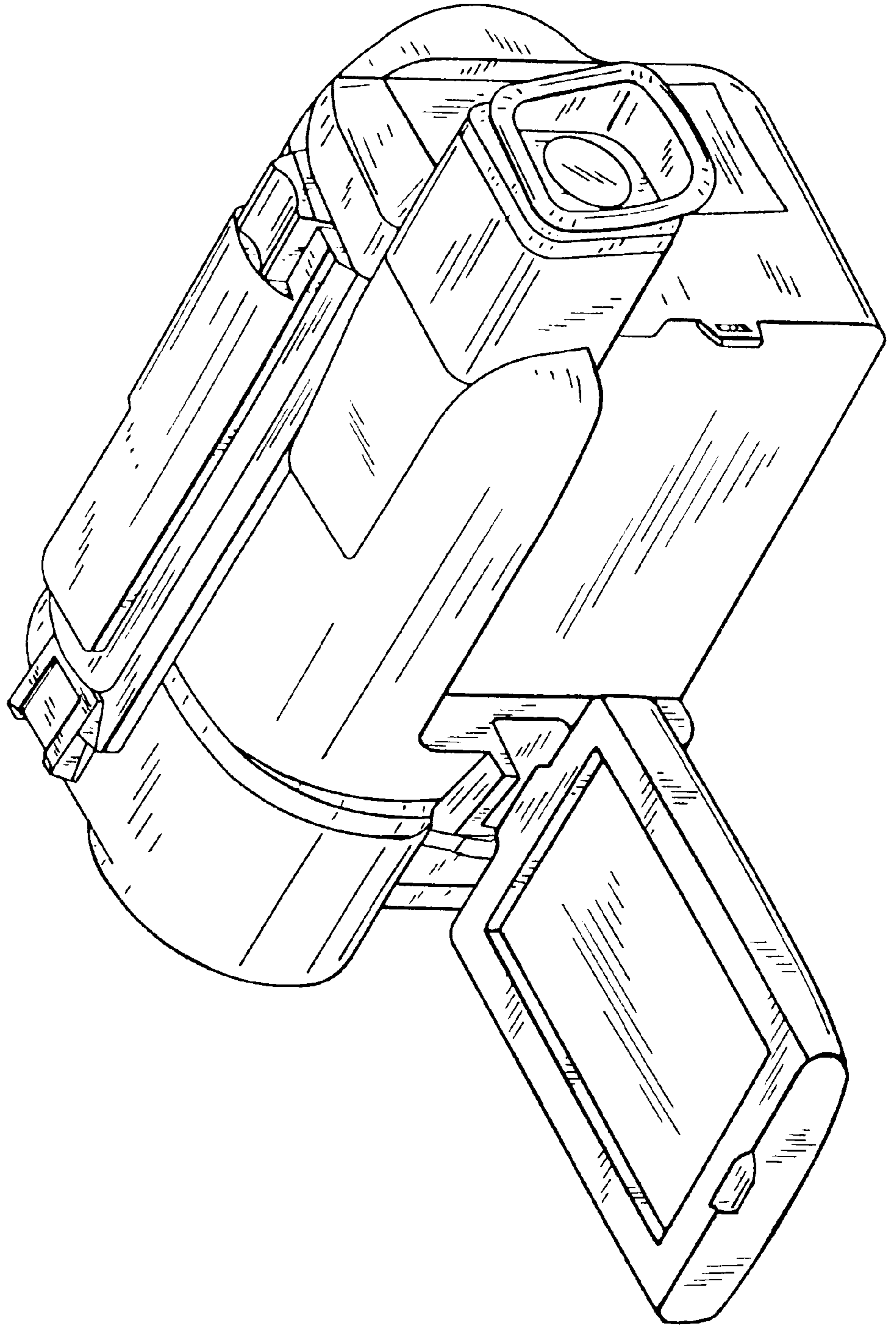


FIG. 4

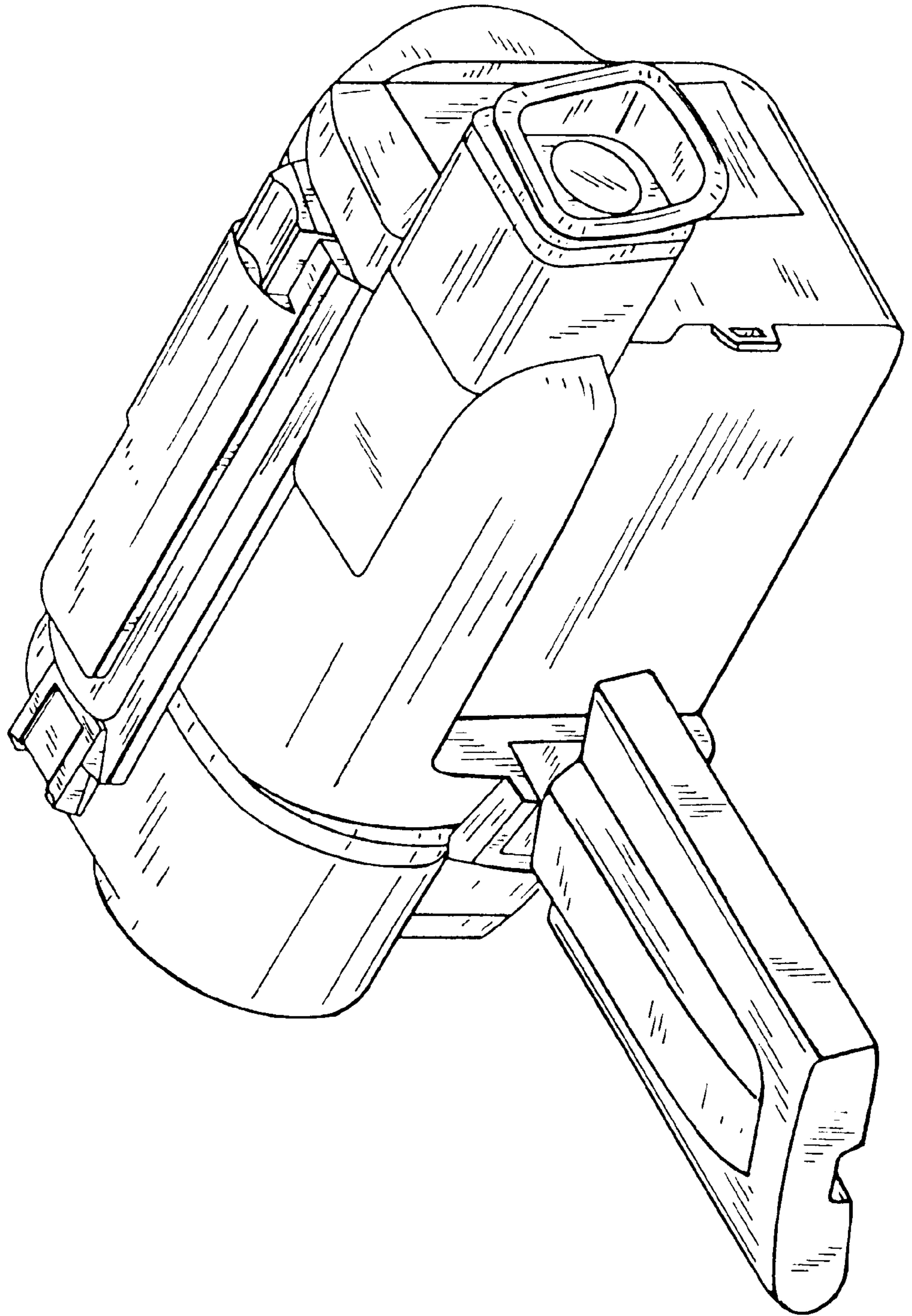


FIG. 5

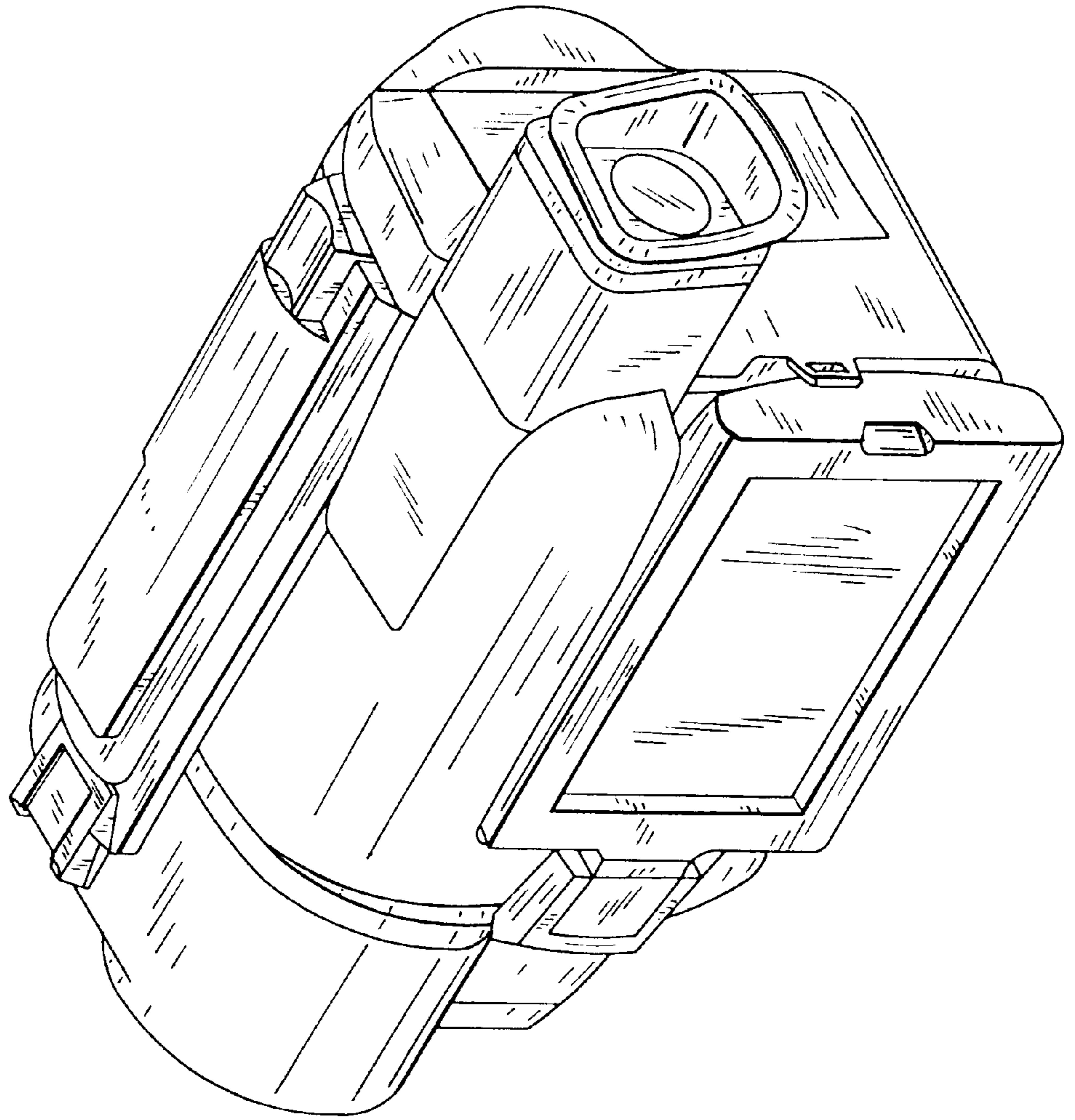


FIG. 6

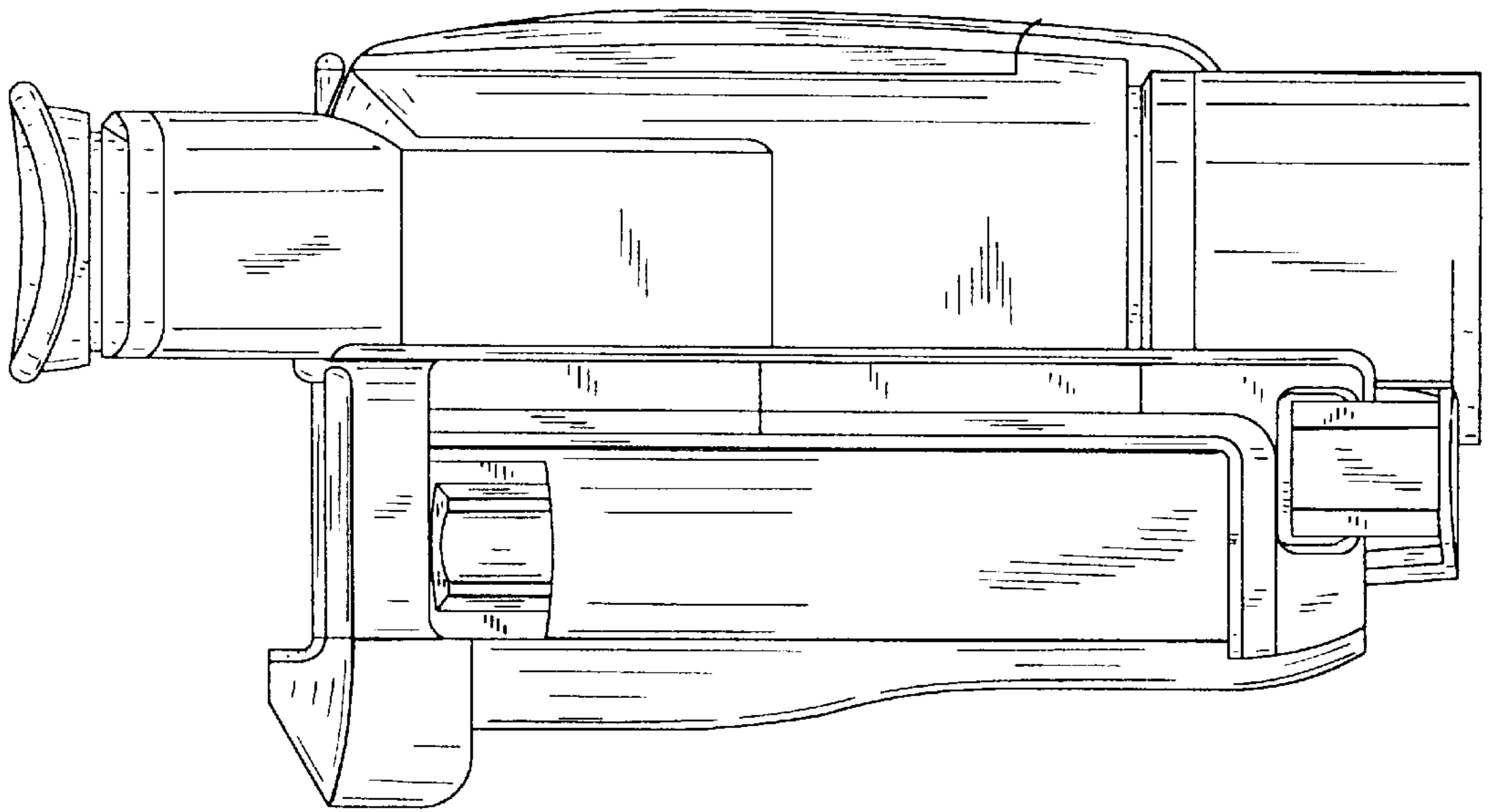


FIG. 7

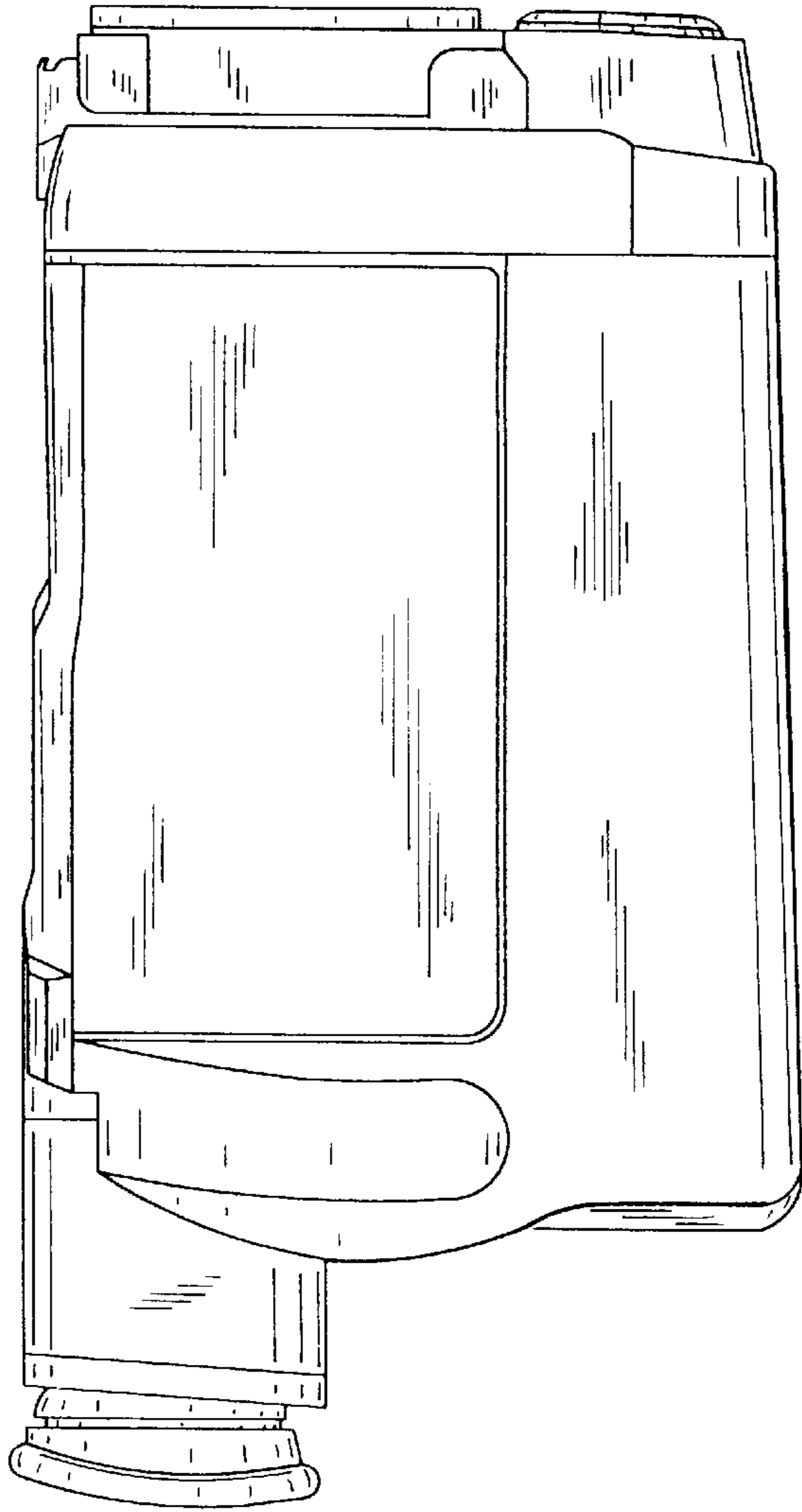


FIG. 9

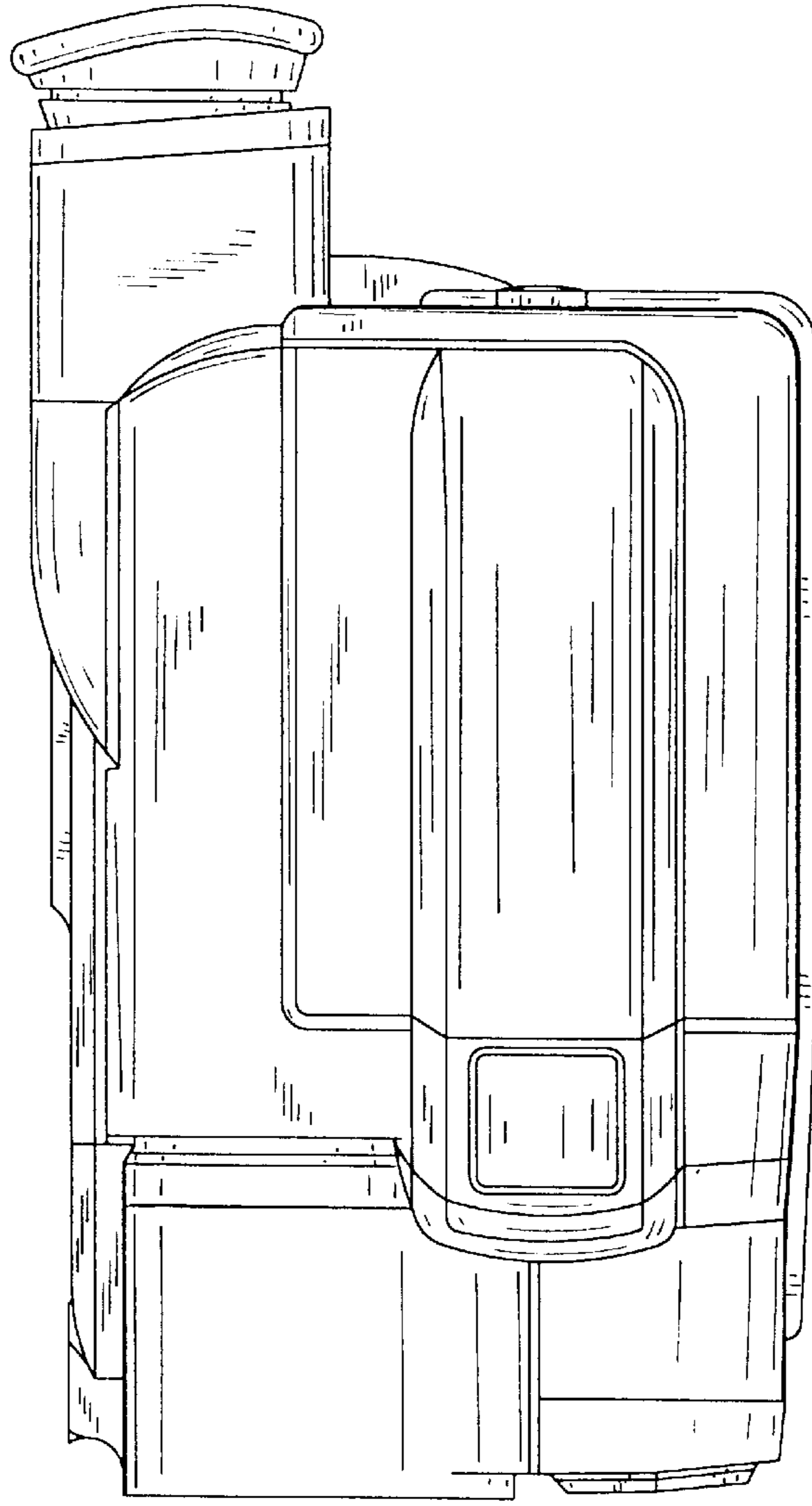


FIG. 8

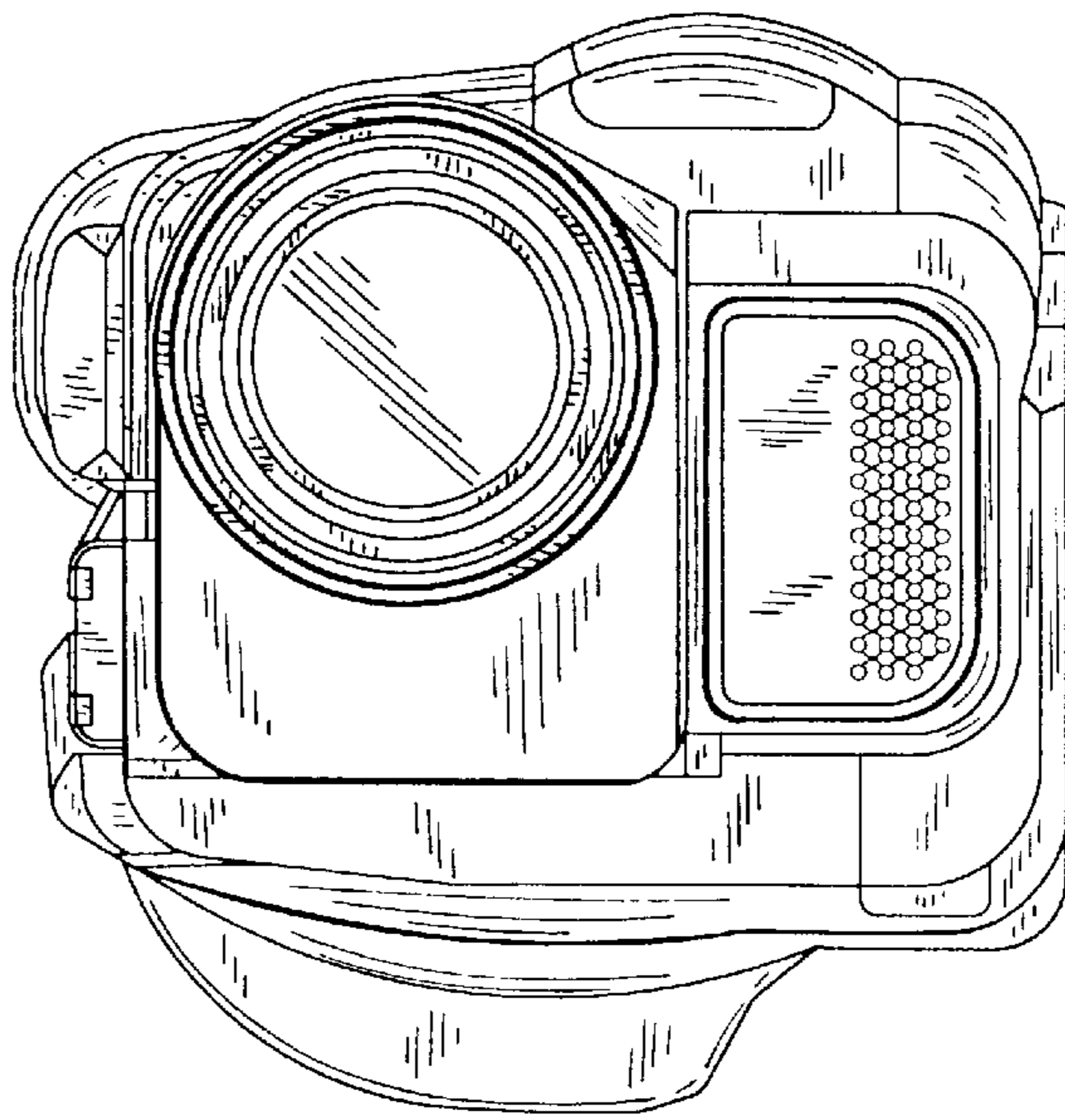


FIG. 11

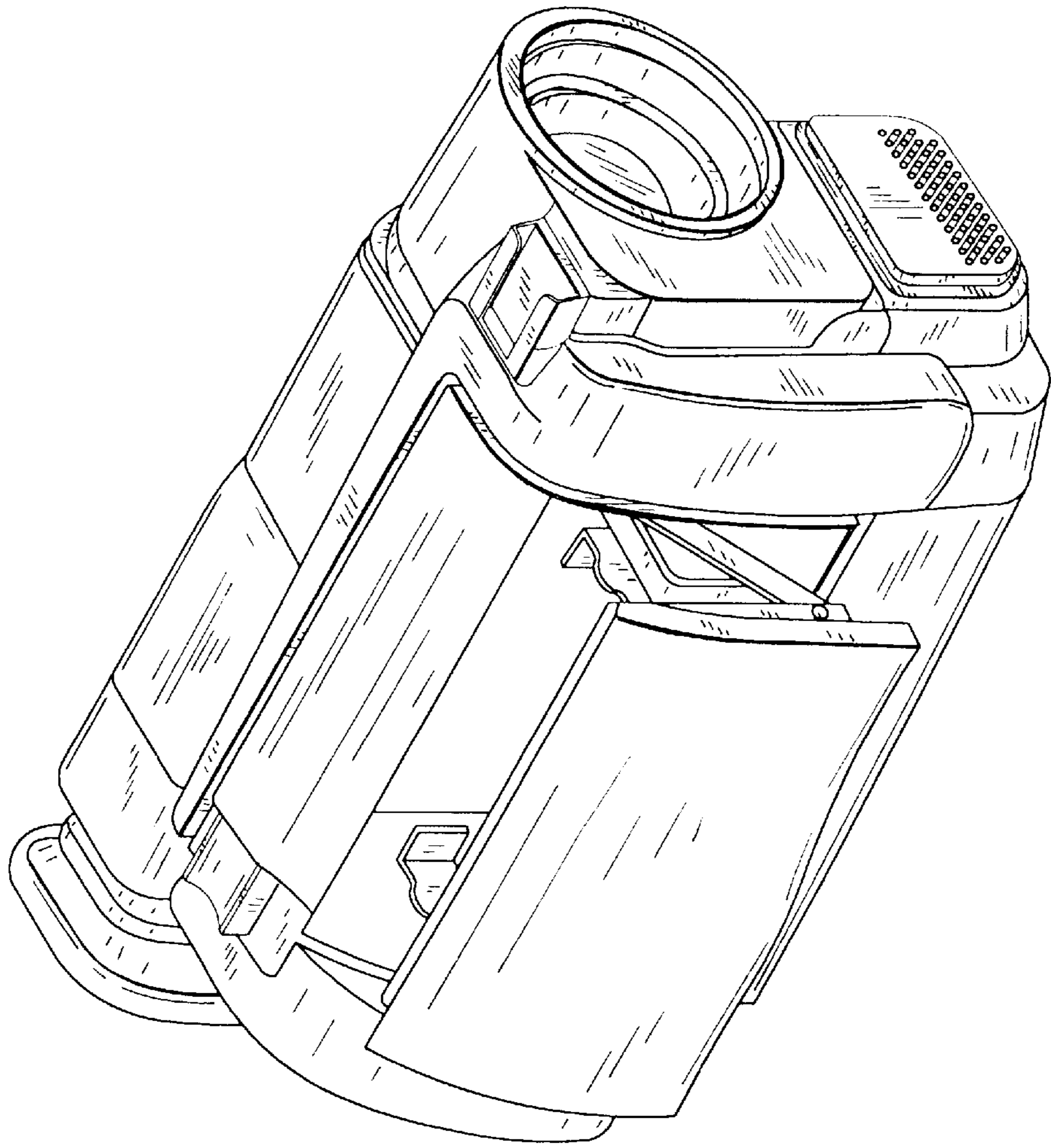


FIG. 10

