



US00D410014S

United States Patent [19]

[11] Patent Number: **Des. 410,014**

Kobayashi et al.

[45] Date of Patent: **** May 18, 1999**

[54] **WIRE SAW HOUSING**

[51] **LOC (6) Cl.** **15-09**

[75] Inventors: **Shigeo Kobayashi; Yasuhiro Ito**, both of Yokohama, Japan

[52] **U.S. Cl.** **D15/133**

[58] **Field of Search** D15/133; 125/16-20, 125/21; 83/651.1

[73] Assignee: **Nippei Toyama Corporation**, Tokyo, Japan

[56] **References Cited**

U.S. PATENT DOCUMENTS

[**] Term: **14 Years**

D. 336,749 6/1993 Lenard et al. D15/133 X

[21] Appl. No.: **29/092,072**

Primary Examiner—Antoine Duval Davis
Attorney, Agent, or Firm—Stetina Brunda Garred & Brucker

[22] Filed: **Aug. 12, 1998**

[57] **CLAIM**

Related U.S. Application Data

The ornamental design for a wire saw housing, as shown and described.

[62] Division of application No. 29/064,300, Mar. 20, 1997.

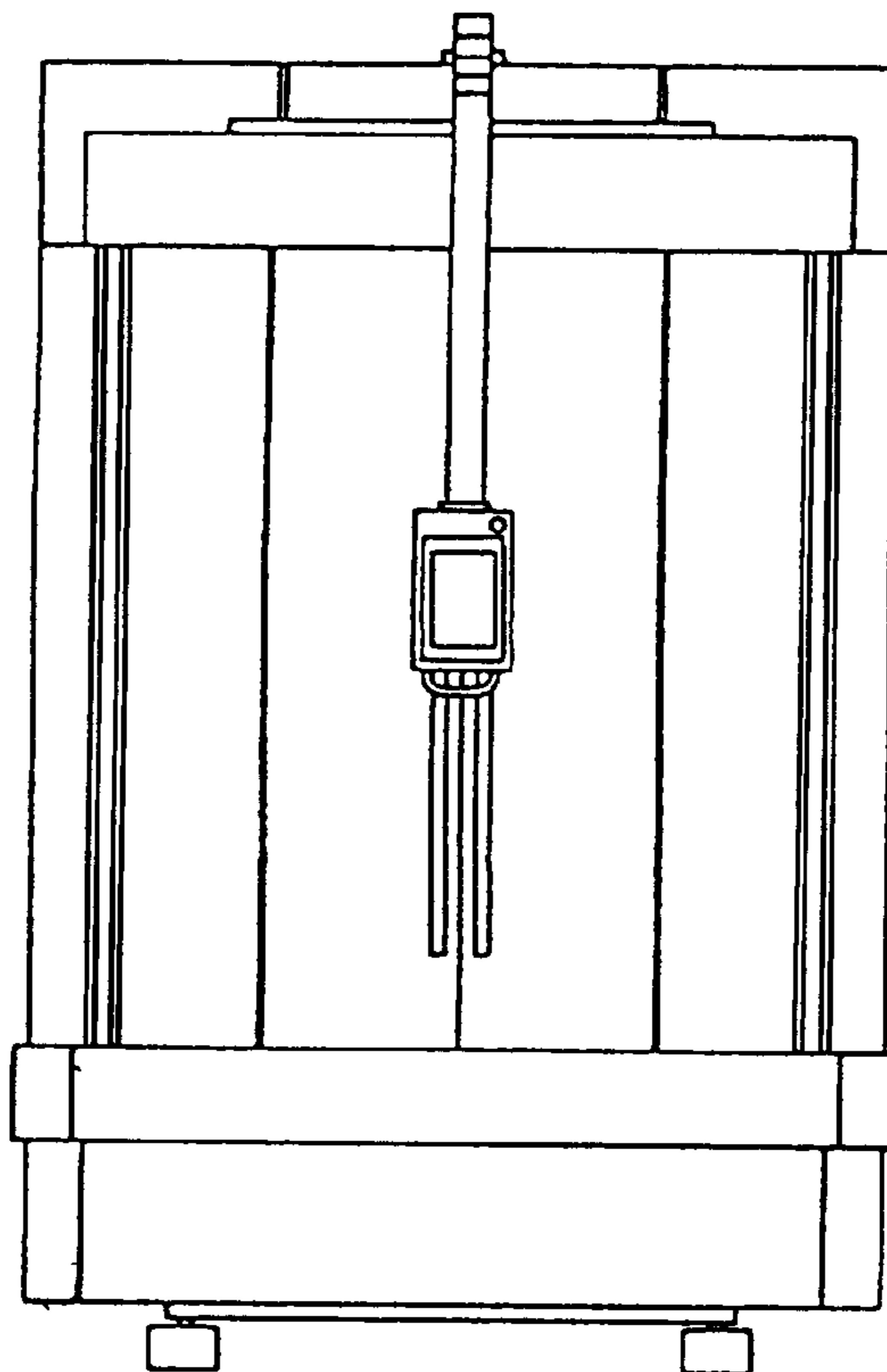
[30] **Foreign Application Priority Data**

DESCRIPTION

Jun. 28, 1996	[JP]	Japan	8-19227
Dec. 6, 1996	[JP]	Japan	8-37121
Dec. 6, 1996	[JP]	Japan	8-37122
Dec. 6, 1996	[JP]	Japan	8-37123
Dec. 6, 1996	[JP]	Japan	8-37124
Dec. 6, 1996	[JP]	Japan	8-37125
Dec. 6, 1996	[JP]	Japan	8-37126
Dec. 6, 1996	[JP]	Japan	8-37127
Dec. 6, 1996	[JP]	Japan	8-37128
Dec. 6, 1996	[JP]	Japan	8-37129
Dec. 6, 1996	[JP]	Japan	8-37130
Dec. 6, 1996	[JP]	Japan	8-37131
Dec. 6, 1996	[JP]	Japan	8-37132
Dec. 6, 1996	[JP]	Japan	8-37133

FIG. 1 is a front elevational view of a second embodiment of the wire saw housing;
FIG. 2 is a rear elevational view thereof;
FIG. 3 is a top plan view thereof;
FIG. 4 is a bottom plan view thereof;
FIG. 5 is a right side elevational view thereof;
FIG. 6 is a left side elevational view thereof;
FIG. 7 is a front perspective view thereof;
FIG. 8 is a rear perspective view thereof; and,
FIG. 9 is a front perspective view thereof with the front doors opened.

1 Claim, 6 Drawing Sheets



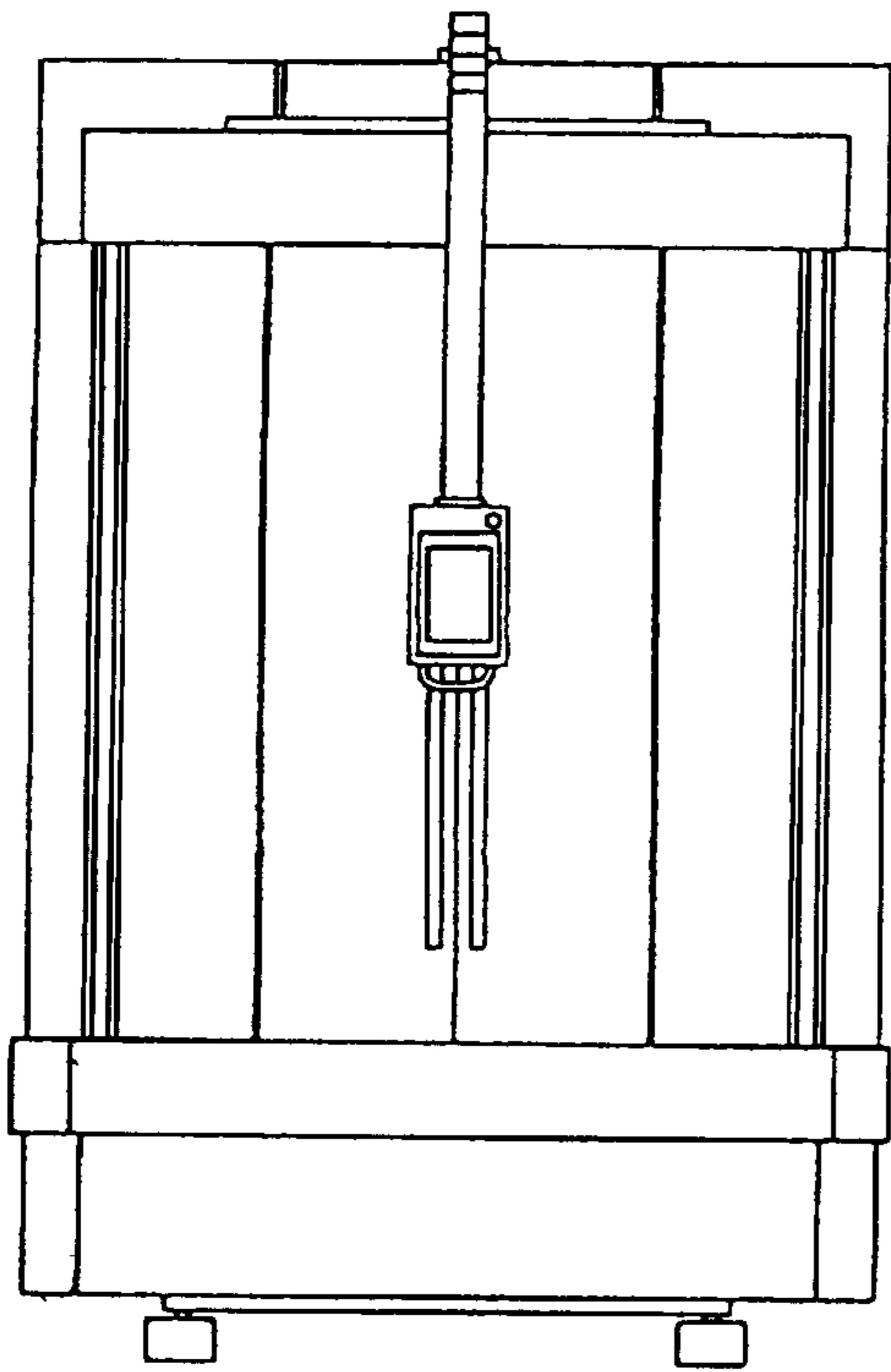


Fig. 1

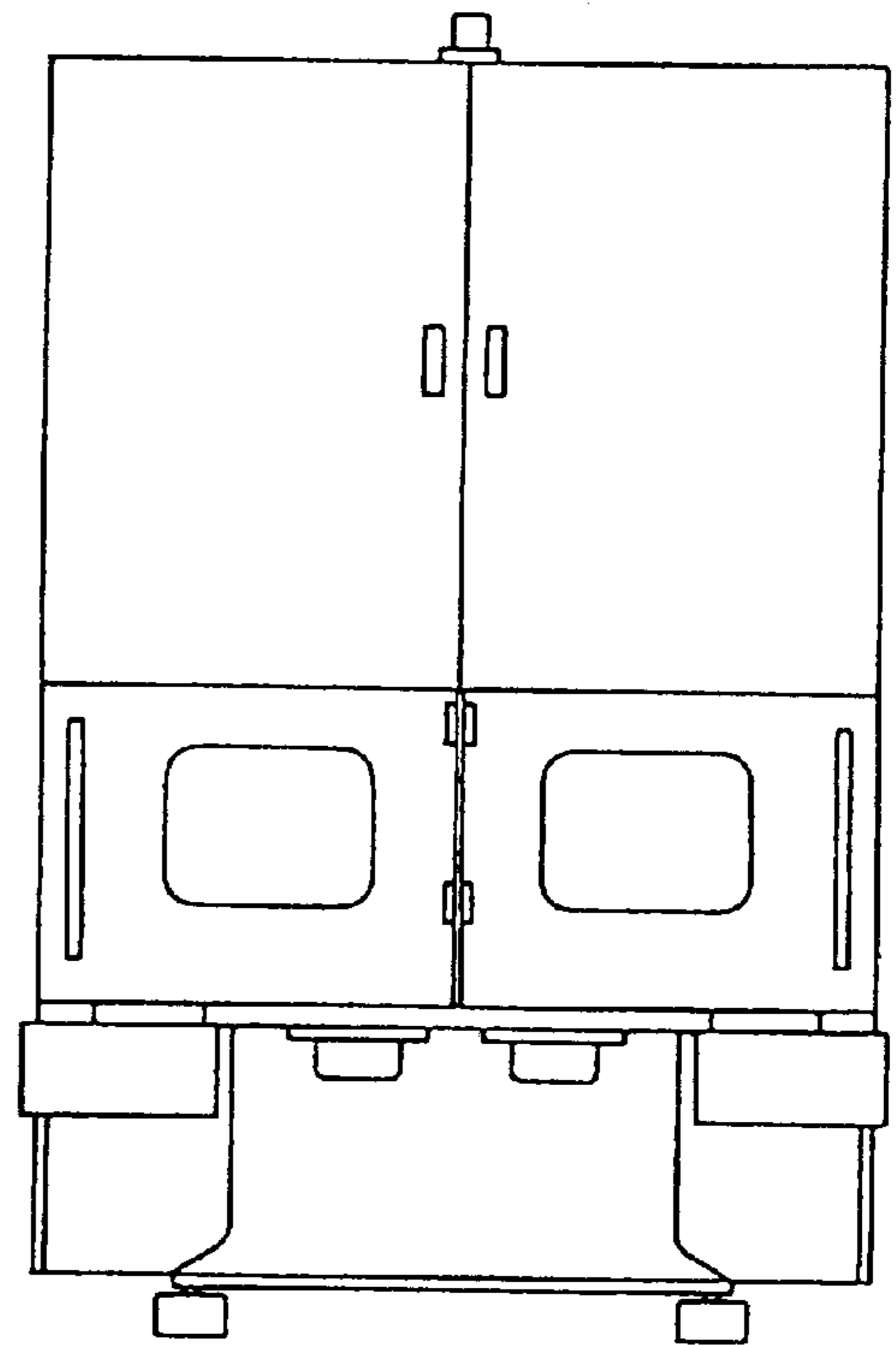


Fig. 2

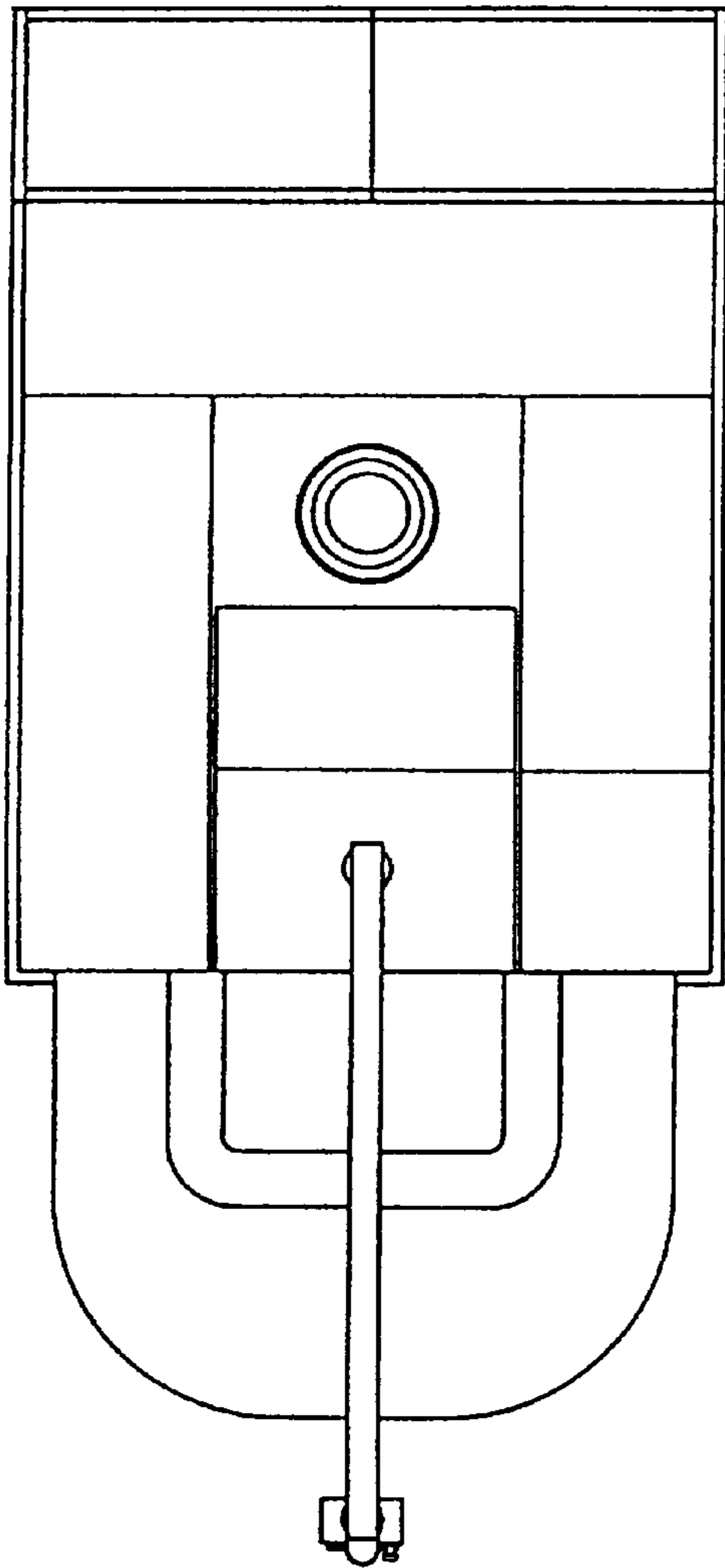


Fig. 3

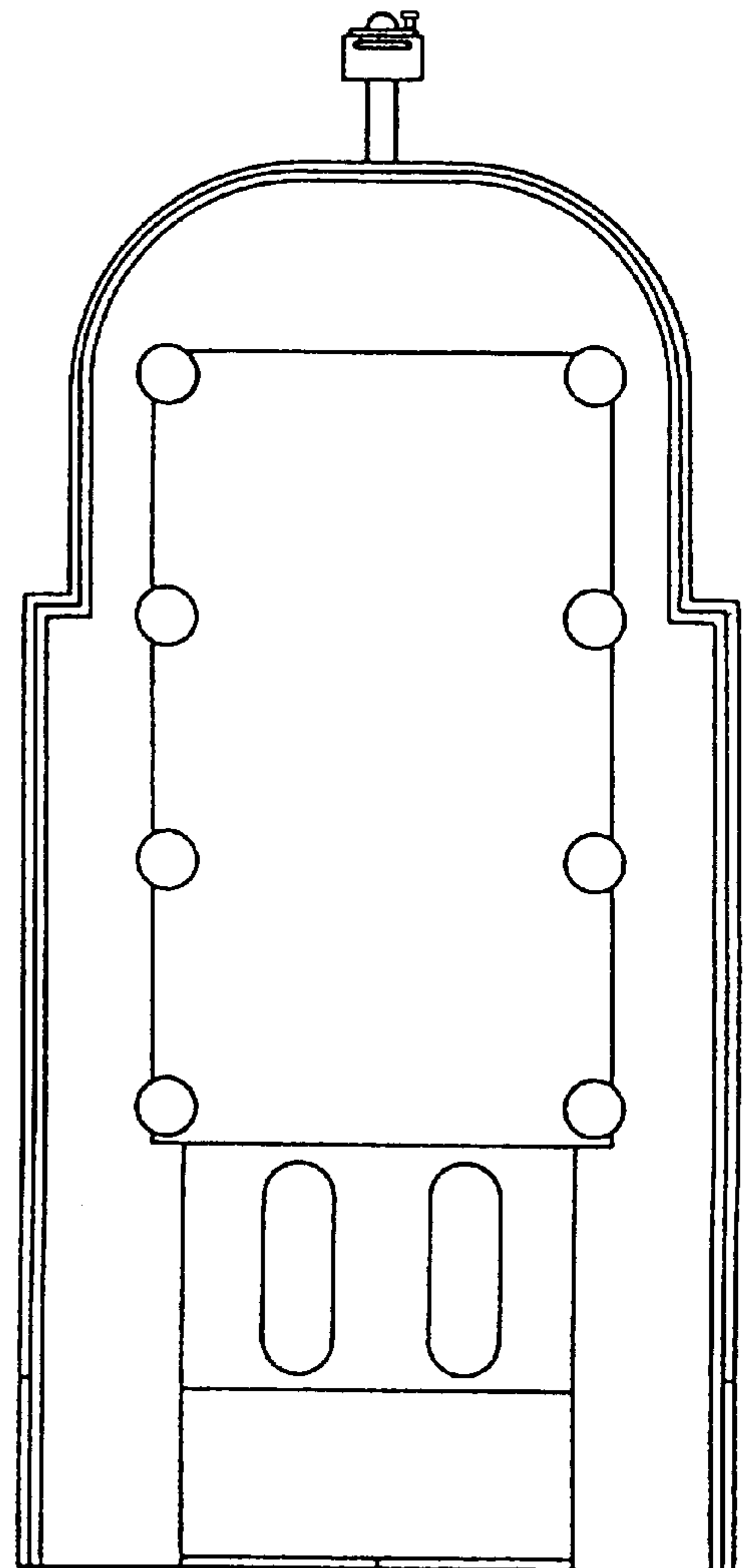


Fig. 4

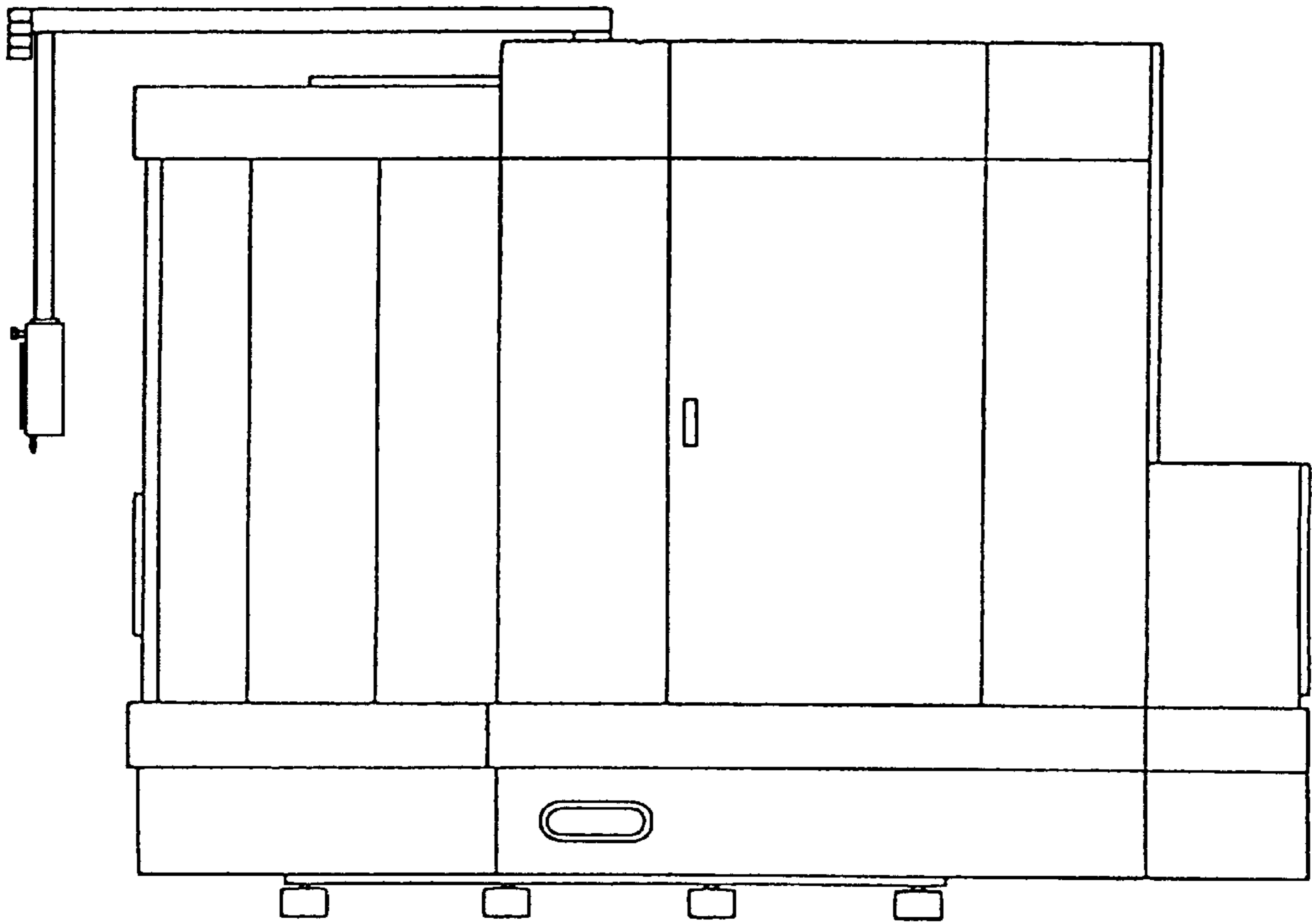


Fig. 5

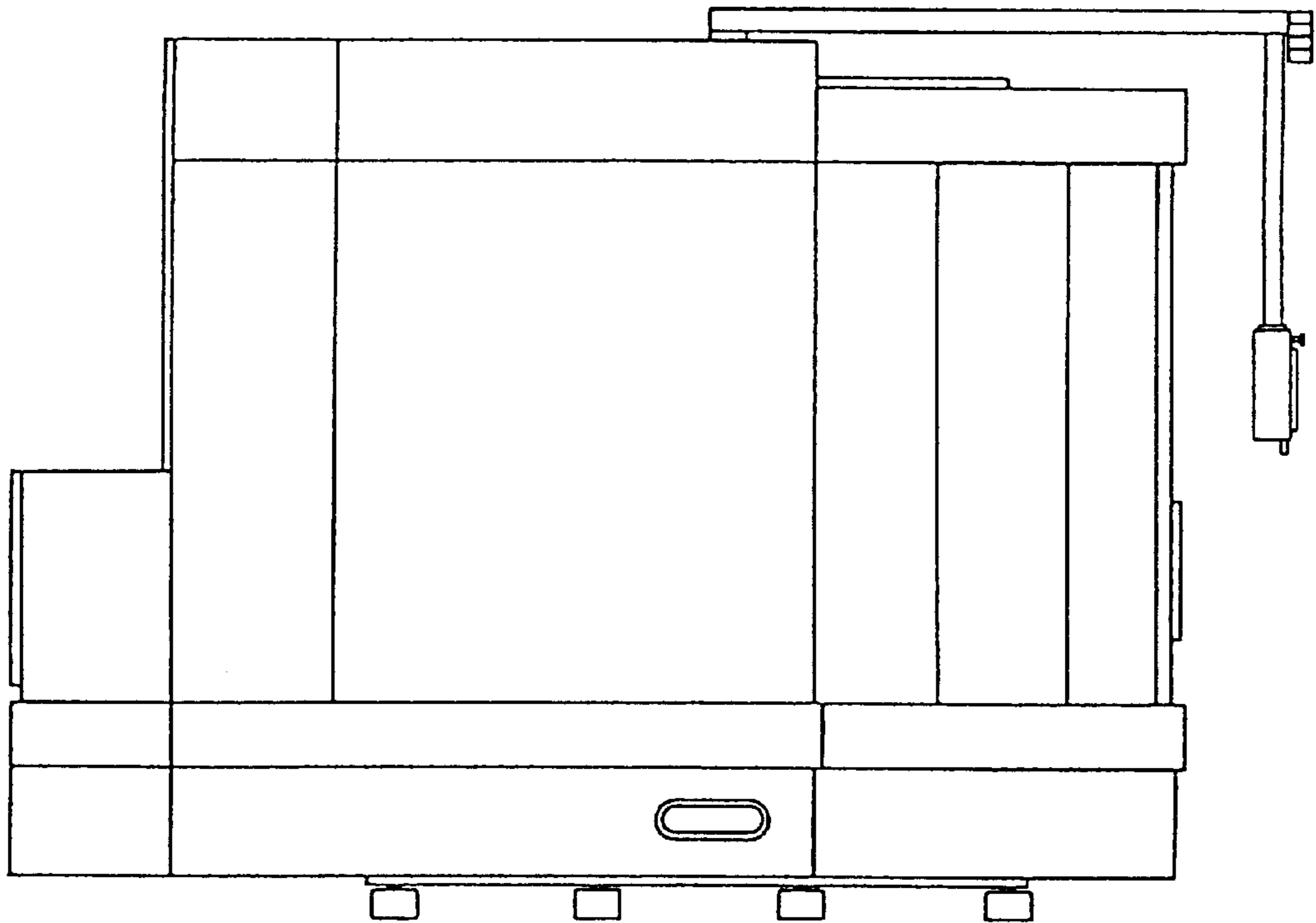


Fig. 6

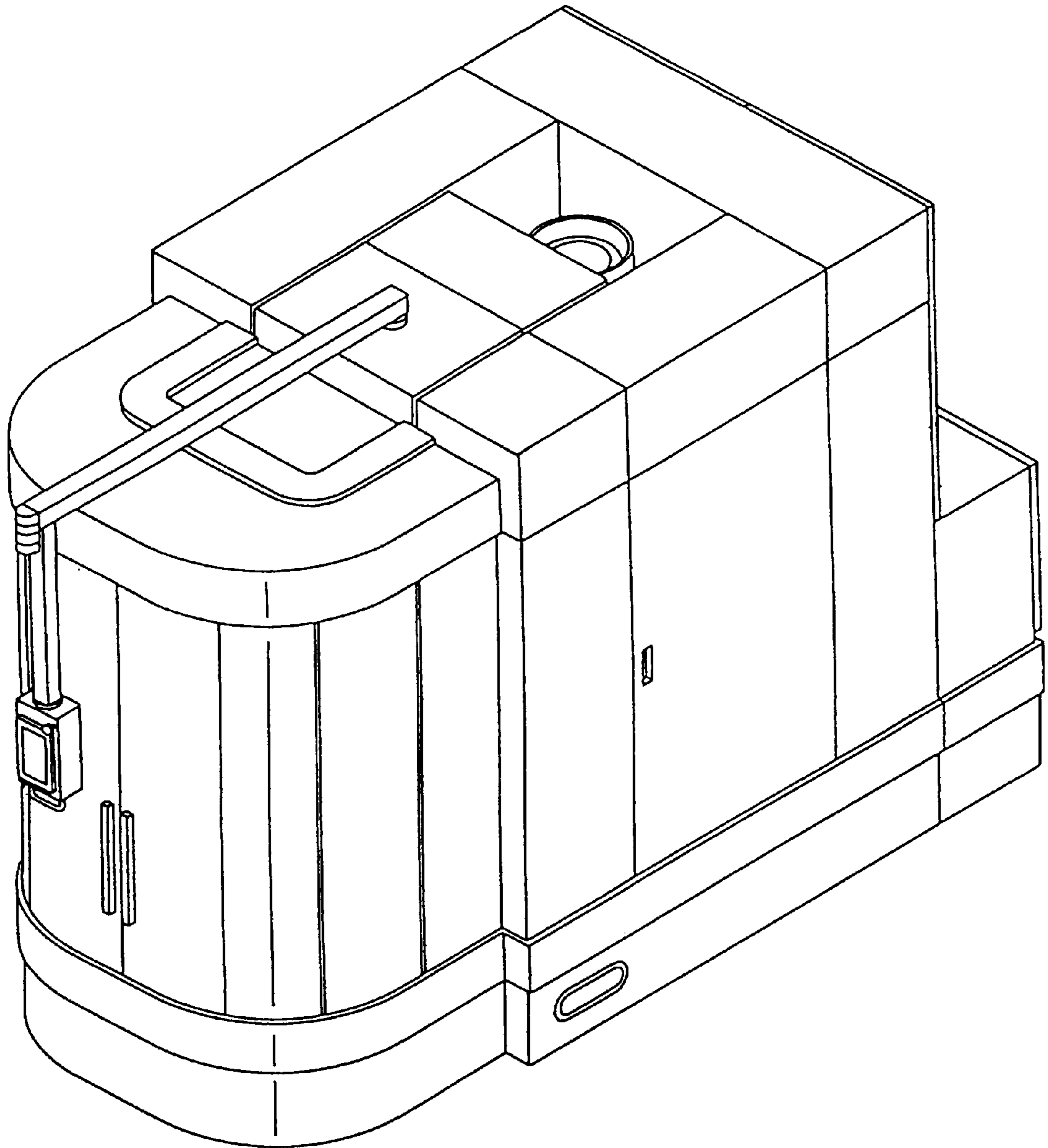


Fig. 7

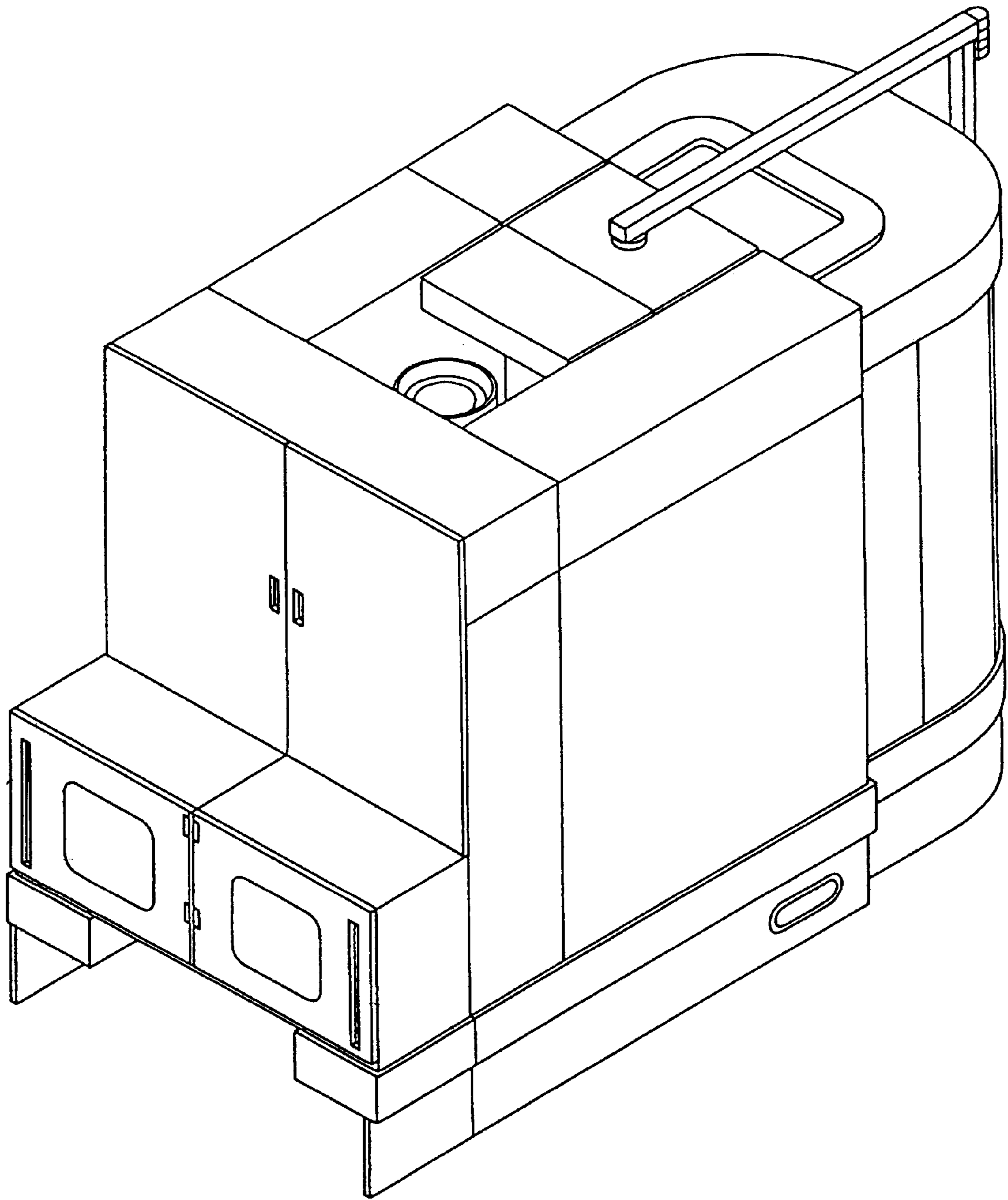


Fig. 8

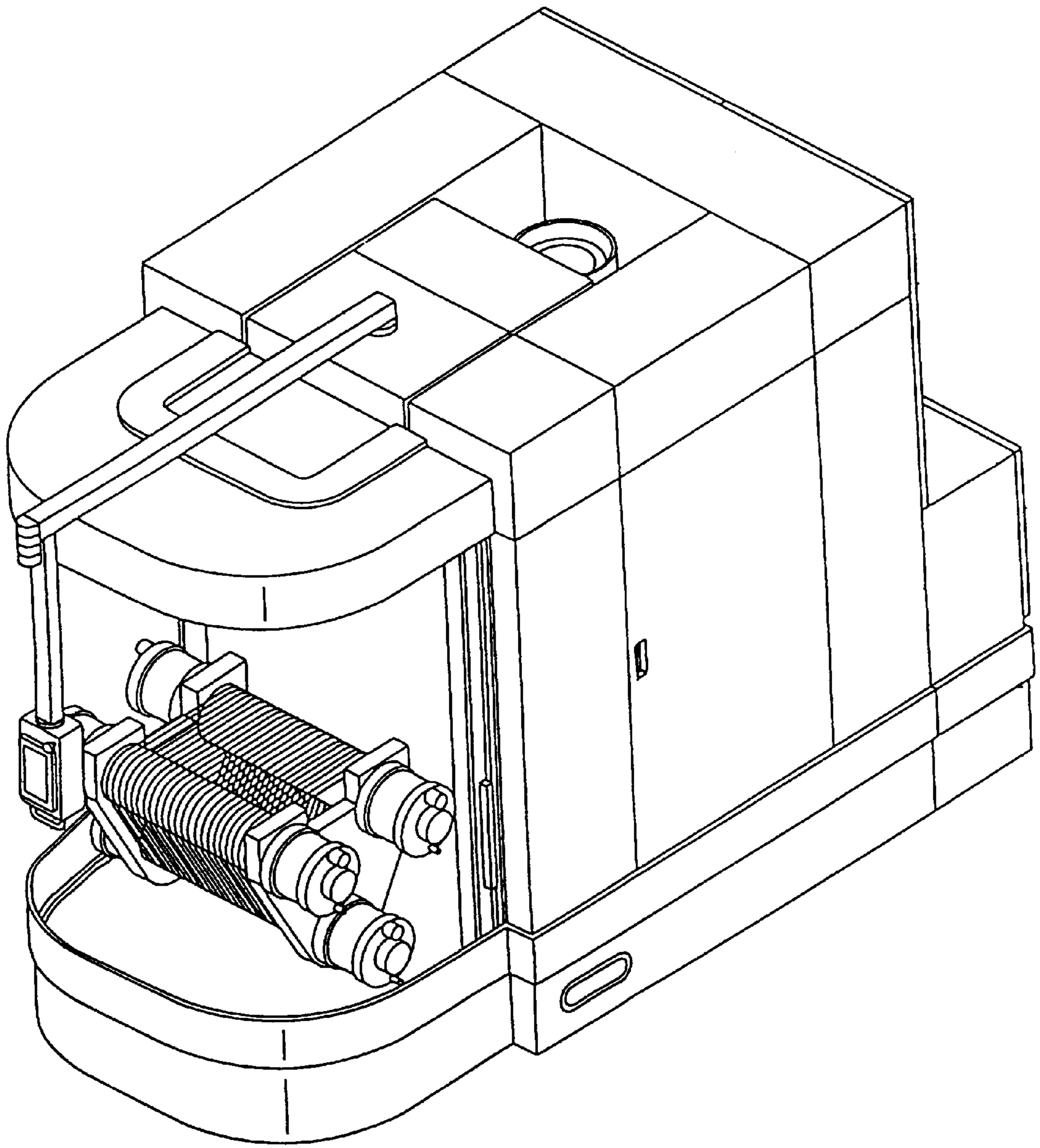


Fig. 9