



US00D410011S

**United States Patent** [19]  
**Royer**

[11] **Patent Number: Des. 410,011**

[45] **Date of Patent: \*\* May 18, 1999**

[54] **OPEN STALL TILLER**

[76] Inventor: **Robert G. Royer**, 12771 E. Stockton Blvd., Galt, Calif. 95632-2583

[\*\*] Term: **14 Years**

[21] Appl. No.: **29/087,411**

[22] Filed: **May 1, 1998**

[51] **LOC (6) Cl.** ..... **15-03**

[52] **U.S. Cl.** ..... **D15/11**

[58] **Field of Search** ..... 172/52, 58, 81, 172/110, 201, 811; 171/143; 56/14.7; D15/10-12, 27, 28

[56] **References Cited**

**U.S. PATENT DOCUMENTS**

3,949,813 4/1976 van der Lely ..... 172/110  
4,396,069 8/1983 Ferber et al. .... D15/11 X

*Primary Examiner*—Sandra L. Morris  
*Attorney, Agent, or Firm*—Basil Travis

[57] **CLAIM**

The ornamental design for an open stall tiller, as shown and described.

**DESCRIPTION**

FIG. 1 is a front, top and side perspective view of an open stall tiller showing my new design;

FIG. 2 is a left side elevational view thereof;

FIG. 3 is a right side elevational view;

FIG. 4 is a partial top plan view thereof, showing the left half;

FIG. 5 is a partial top plan view thereof, showing the right half;

FIG. 6 is a partial front elevational view thereof, showing the left half;

FIG. 7 is a partial front elevational view thereof, showing the right half;

FIG. 8 is a partial bottom plan view thereof, showing the right half;

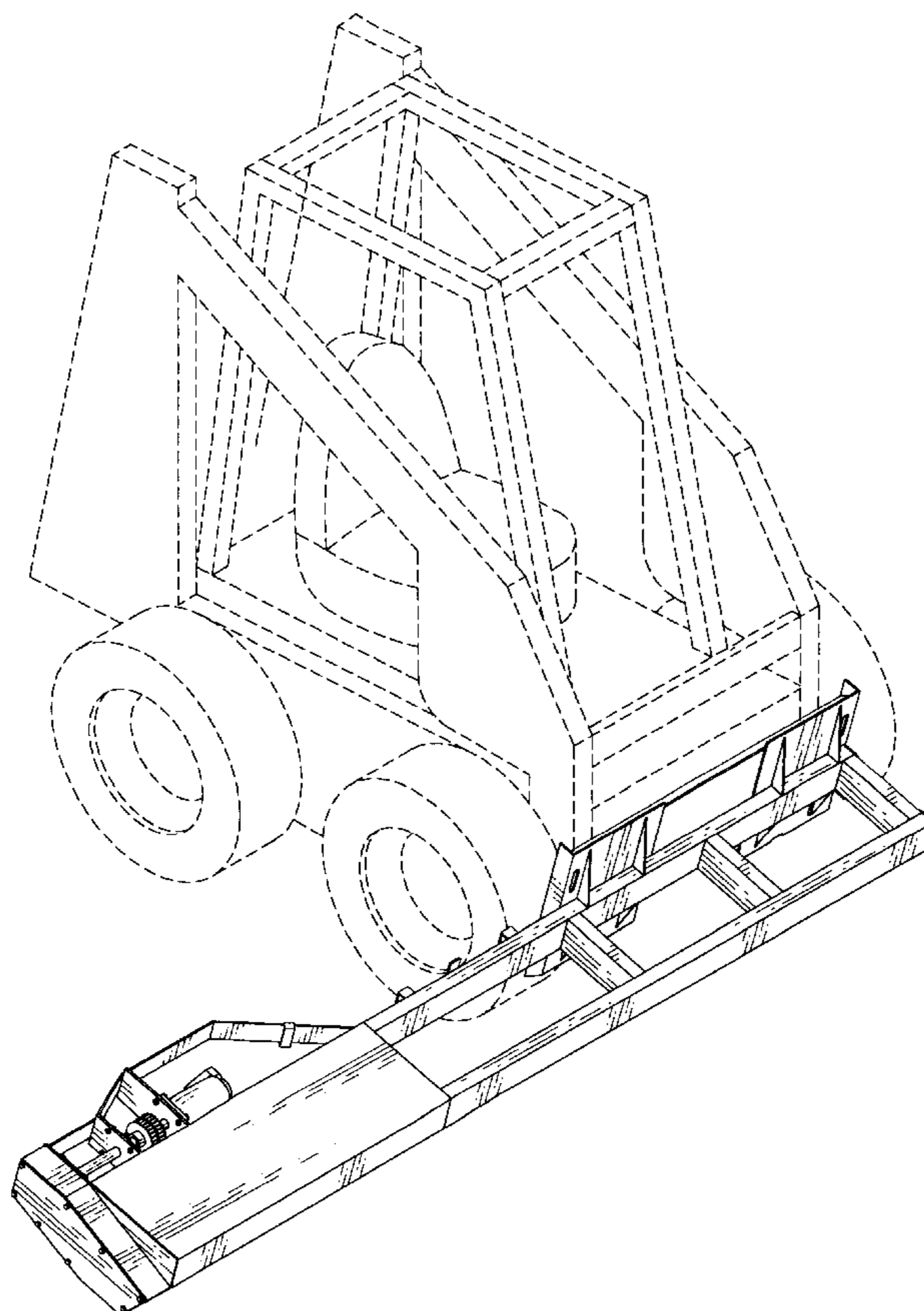
FIG. 9 is a partial bottom plan view thereof, showing the left half;

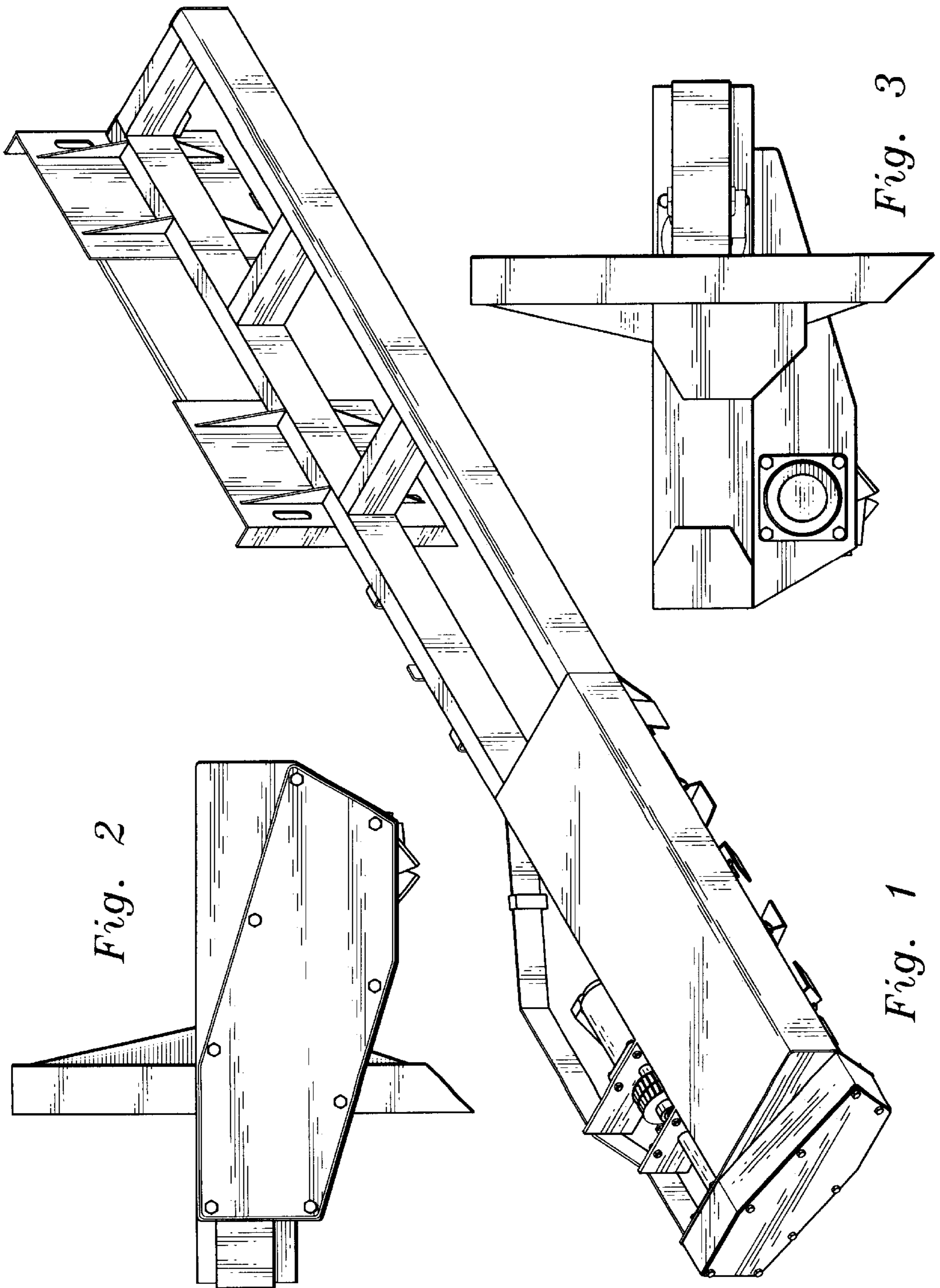
FIG. 10 is a partial rear elevational view thereof, showing the right half;

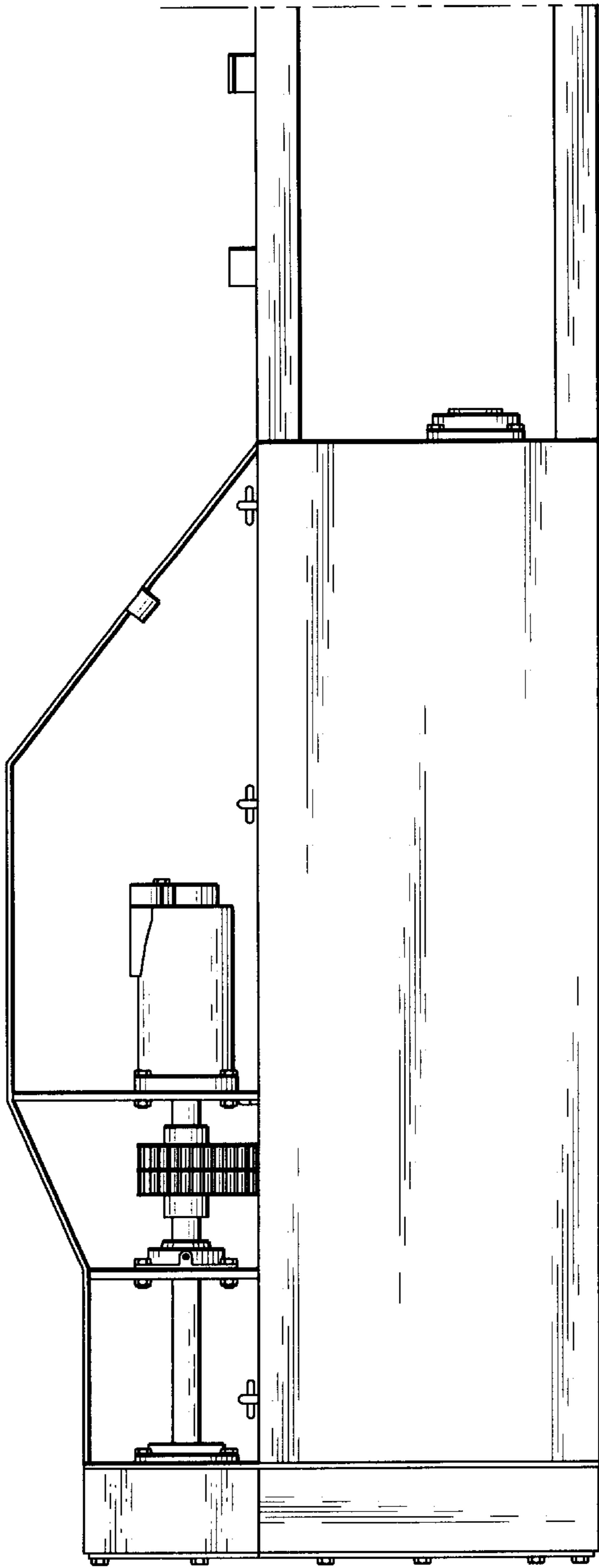
FIG. 11 is a partial rear elevational view thereof, showing the left half; and,

FIG. 12 is a reduced perspective view thereof, the broken lines illustrating a tractor is for illustrative purposes only, and forms no part of the claimed design.

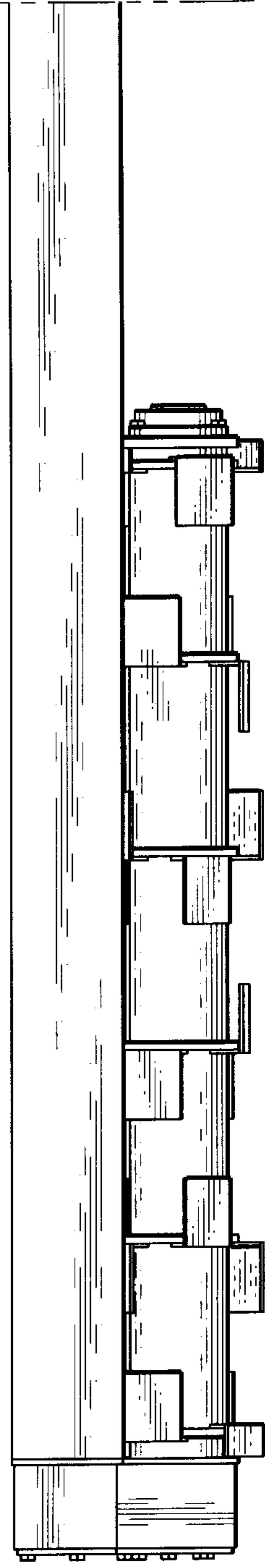
**1 Claim, 6 Drawing Sheets**





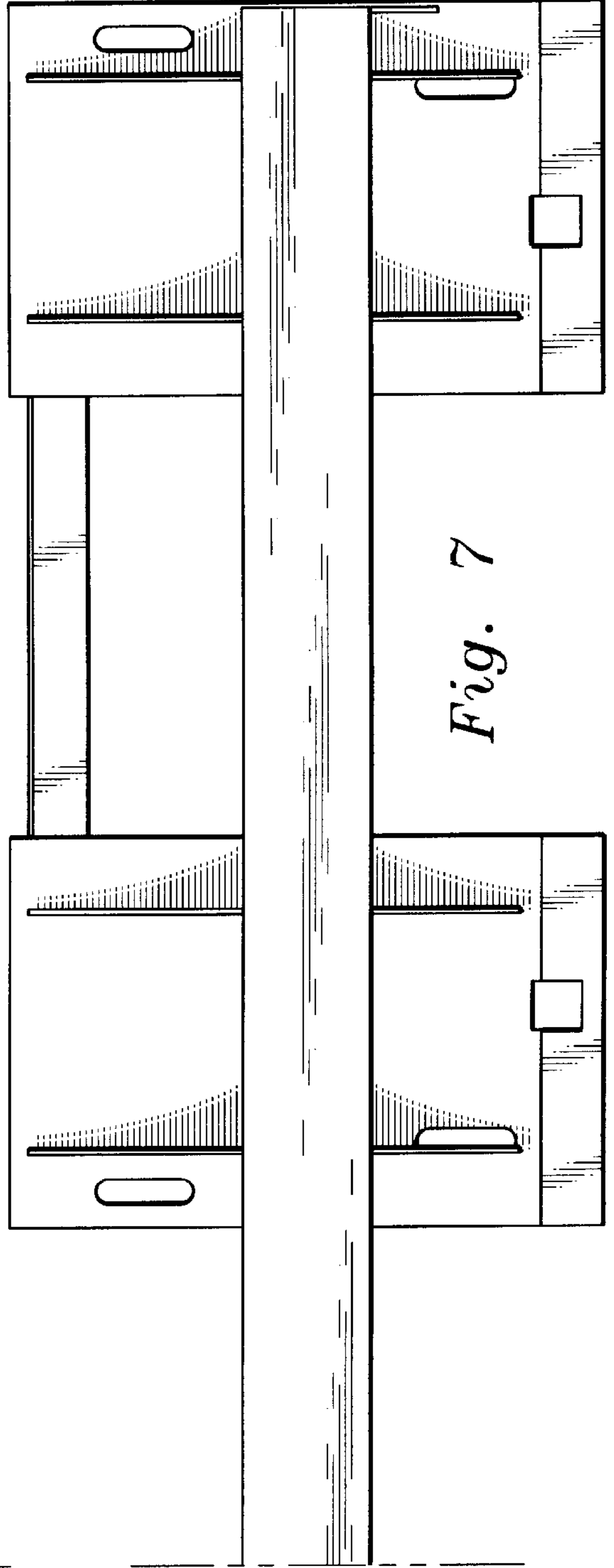
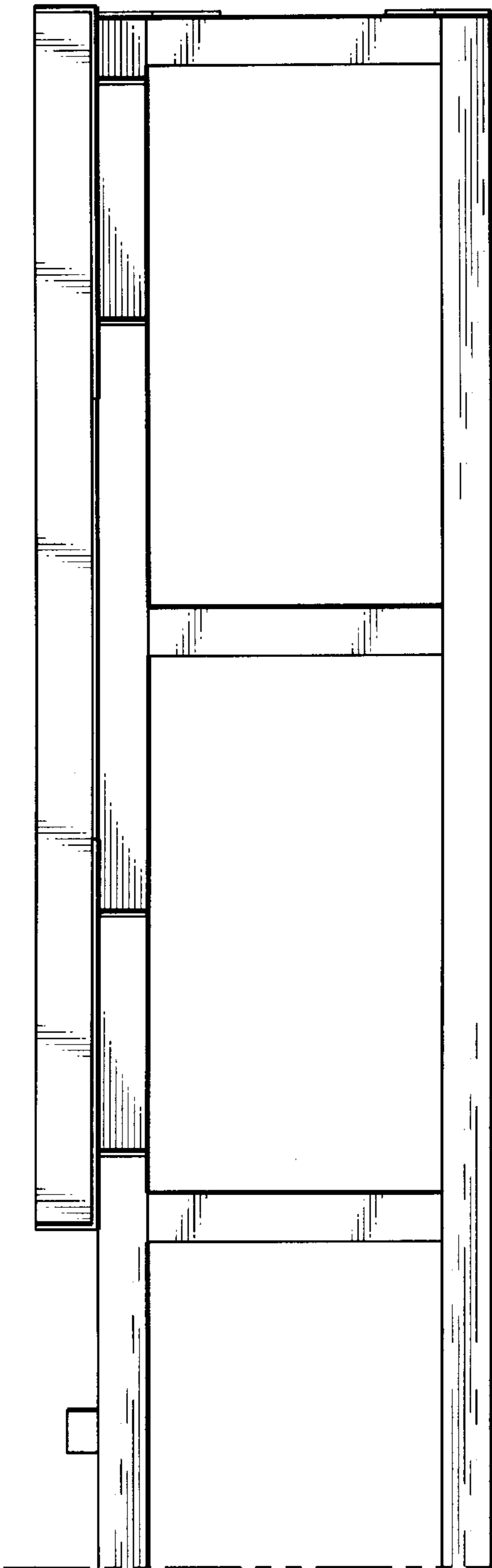


*Fig. 4*

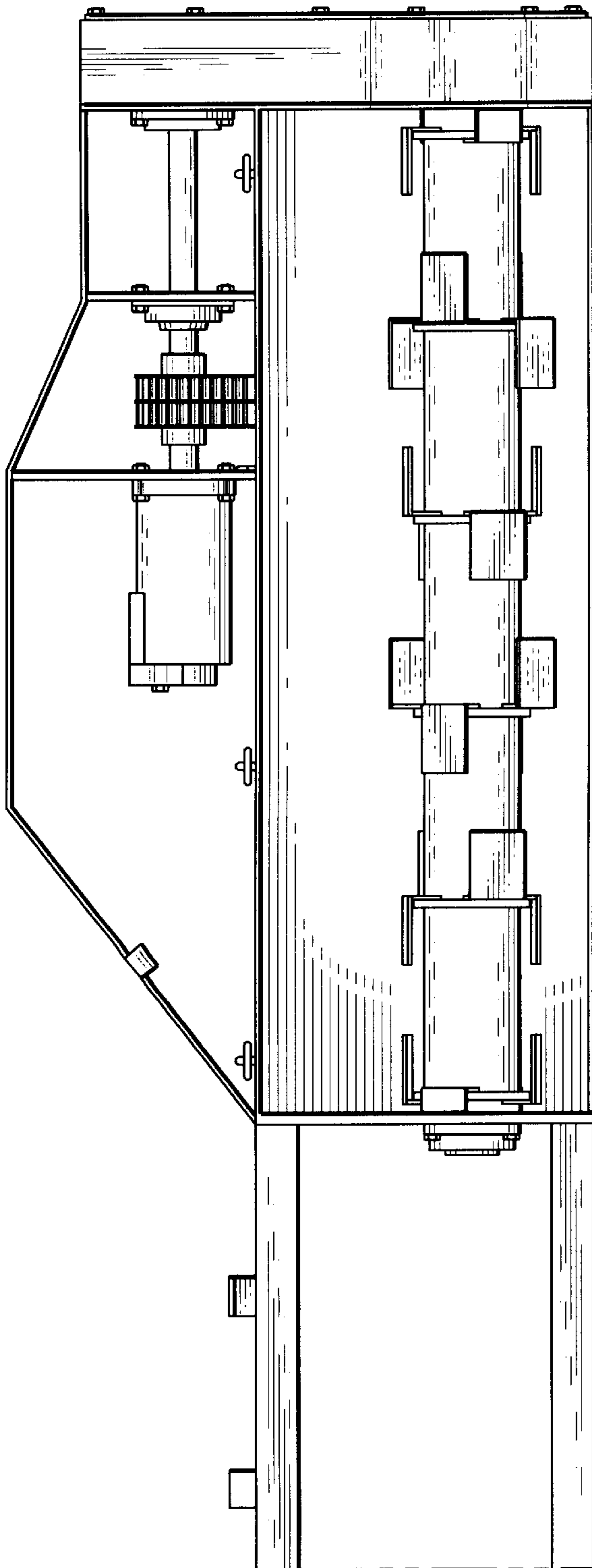


*Fig. 6*

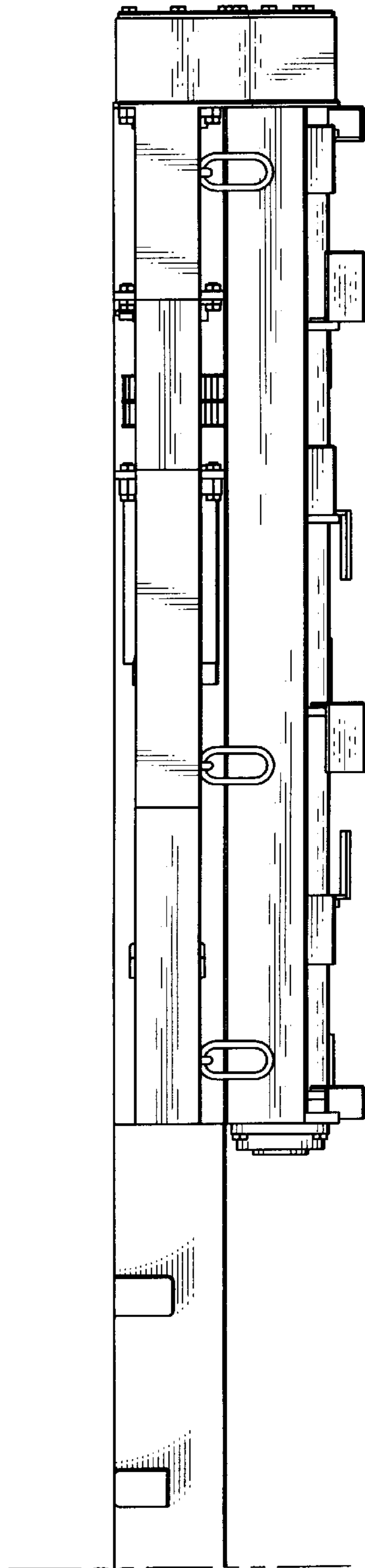
*Fig. 5*



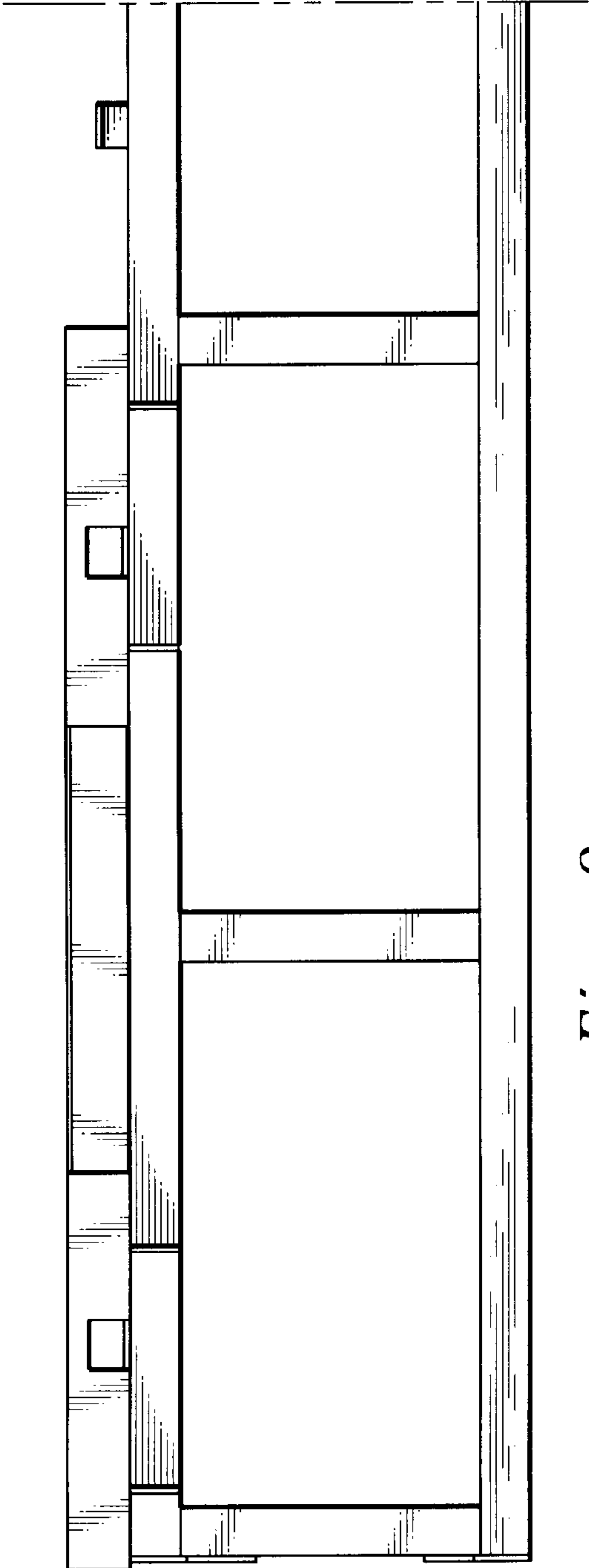
*Fig. 7*



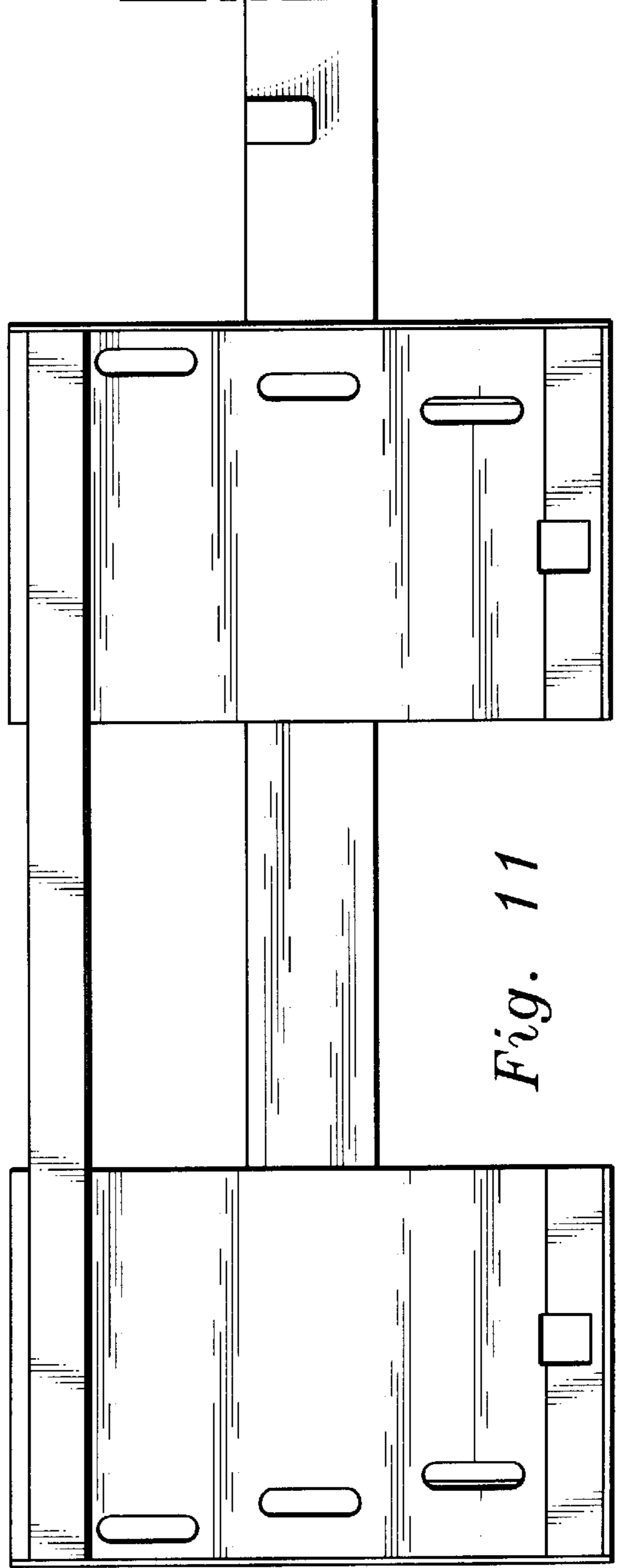
*Fig. 8*



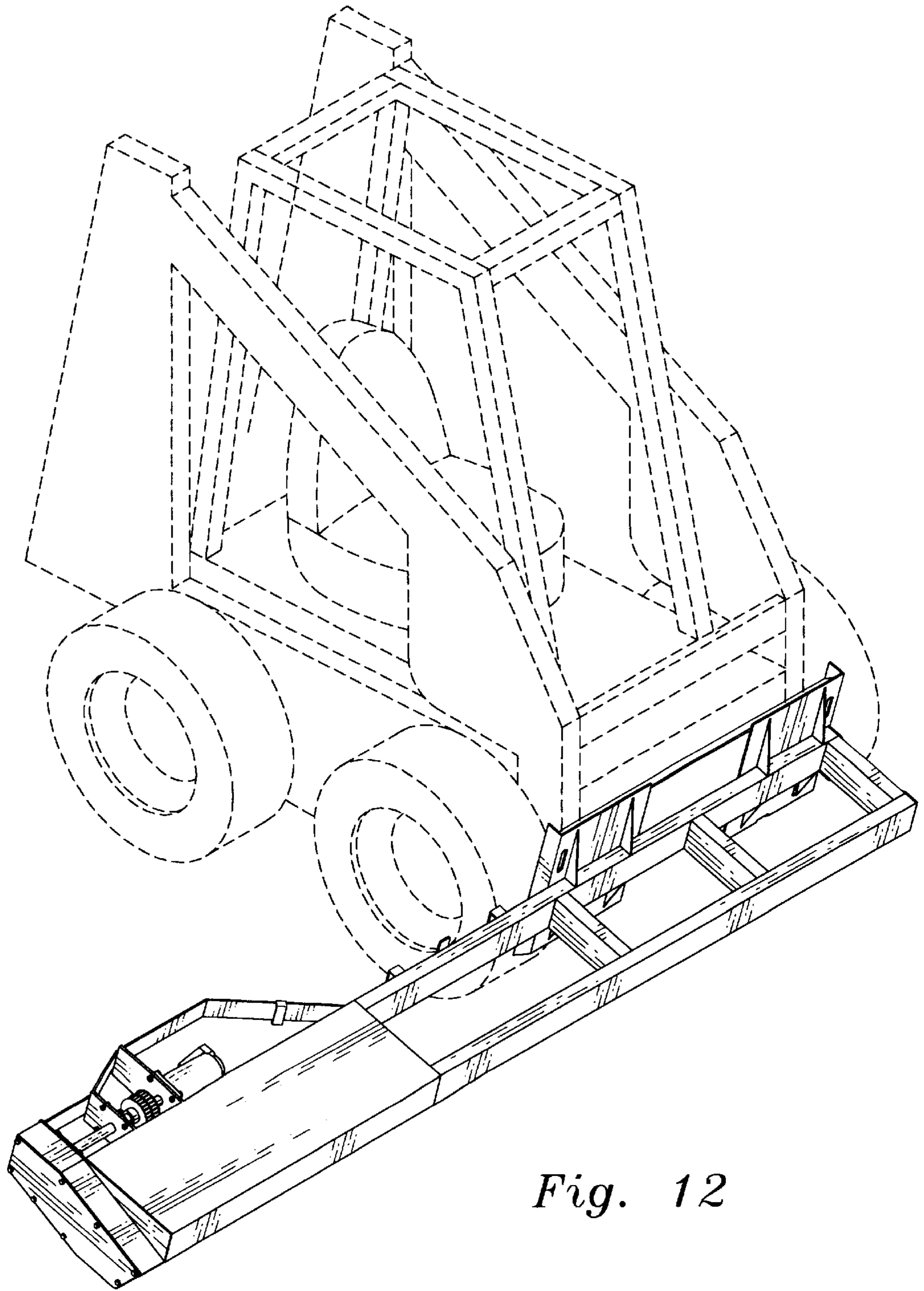
*Fig. 10*



*Fig. 9*



*Fig. 11*



*Fig. 12*