



US00D410010S

United States Patent [19]

[11] Patent Number: **Des. 410,010**

Gieseke et al.

[45] Date of Patent: **** May 18, 1999**

[54] COALESCER FILTER

[75] Inventors: **Steven Scott Gieseke; Robert Allen Dushek**, both of Richfield, Minn.;
Jeffrey J. Ivarson, San Rafael, Calif.

[73] Assignee: **Donaldson Company, Inc.**,
Minneapolis, Minn.

[**] Term: **14 Years**

[21] Appl. No.: **29/087,153**

[22] Filed: **Apr. 27, 1998**

[51] **LOC (6) Cl.** **15-01**

[52] **U.S. Cl.** **D15/5**

[58] **Field of Search** D15/1-5; 95/24;
55/431, 448, 330, 320, 318, 218; 87/153

[56] References Cited

U.S. PATENT DOCUMENTS

Re. 35,433	1/1997	Alexander, III	95/24
D. 148,396	1/1948	Stevens et al.	D15/5
D. 298,051	10/1988	Matheson et al.	D15/5
D. 368,269	3/1996	Chapman	D15/5

Primary Examiner—Ralf Seifert

Attorney, Agent, or Firm—Merchant, Gould, Smith, Edell,
Welter & Schmidt, P.A.

[57] CLAIM

The ornamental design for coalescer filter, as shown and described.

DESCRIPTION

FIG. 1 is a perspective view of a coalescer filter embodying our new design;

FIG. 2 is a front elevational view of the coalescer filter of FIG. 1, the portions depicted in broken lines not being part of the design sought to be patented;

FIG. 3 is a rear elevational view of the coalescer filter of FIG. 1, the portions shown in broken lines not being part of the design sought to be patented;

FIG. 4 is a right side elevational view of the coalescer filter shown in FIG. 1, the left side elevational view being a mirror image thereof; the portion shown in broken lines not being part of the design sought to be patented;

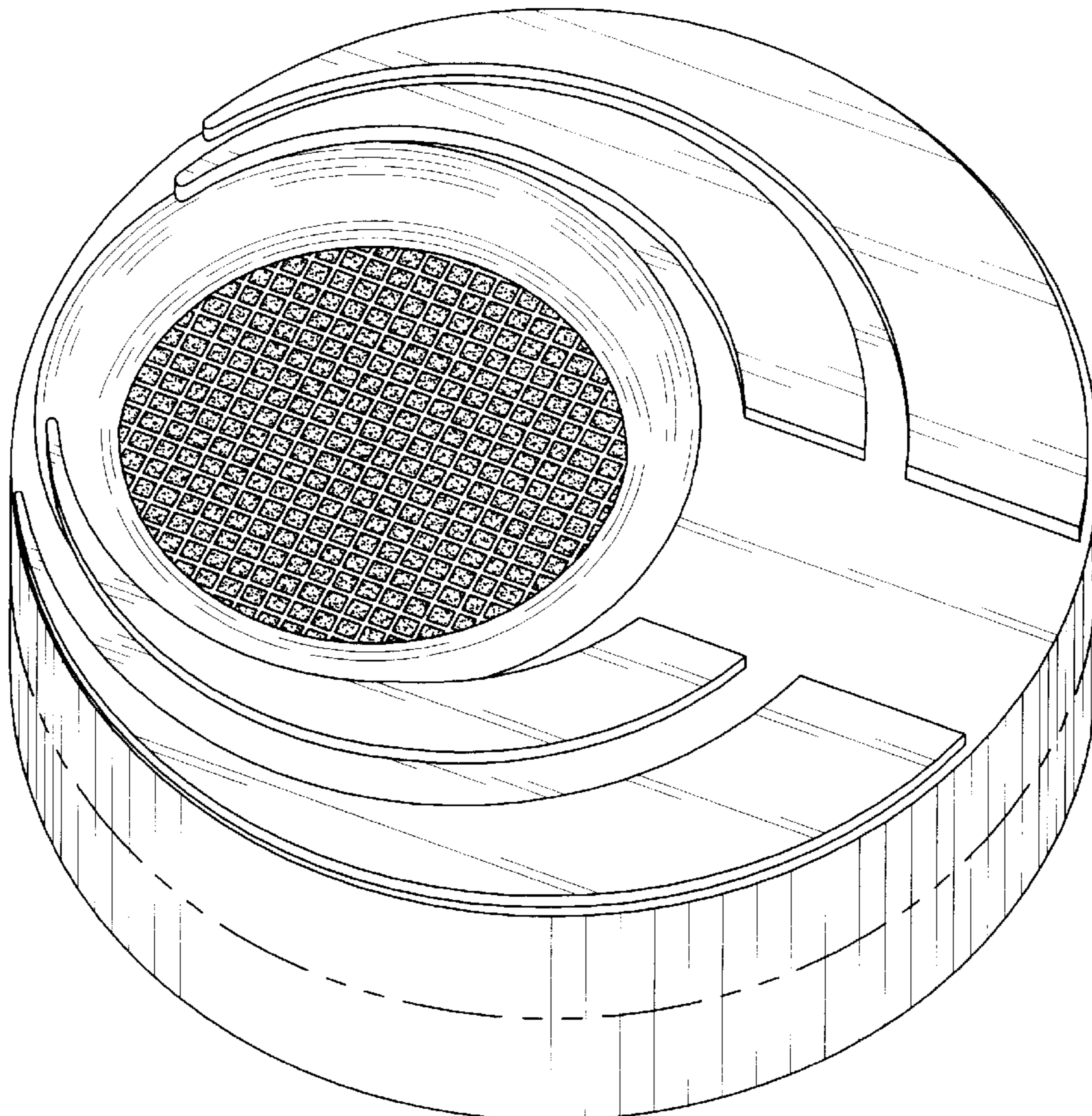
FIG. 5 is a top plan view of the coalescer filter of FIG. 1; FIG. 6 is a bottom plan view of the coalescer filter shown in FIG. 1;

FIG. 7 is a perspective view of a second embodiment of a coalescer filter embodying our new design;

FIG. 8 is a top plan view of the coalescer filter shown in FIG. 7, the bottom plan view being a mirror image thereof; and,

FIG. 9 is a front side elevational view of the coalescer filter shown in FIG. 7, all other side elevational views having an identical appearance thereto.

1 Claim, 6 Drawing Sheets



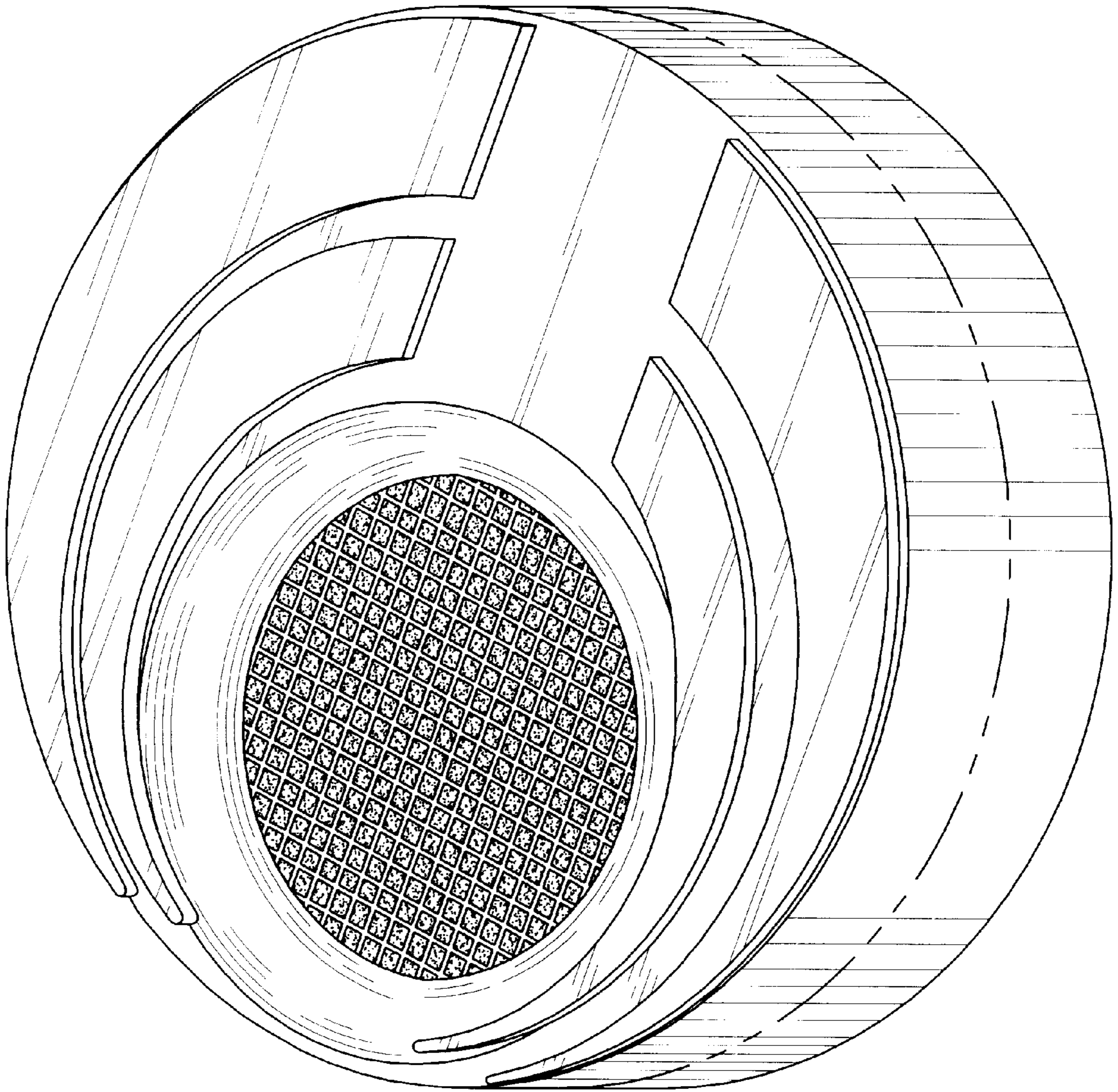


FIG. 1

FIG. 2

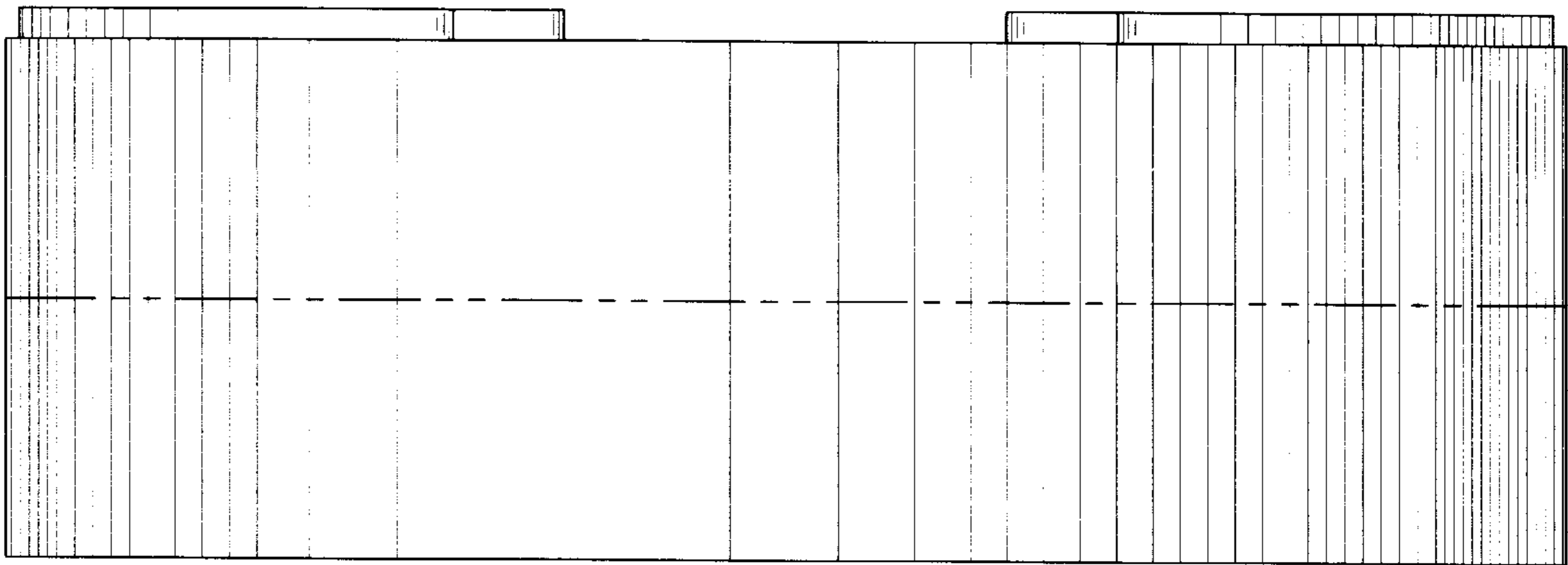


FIG. 3

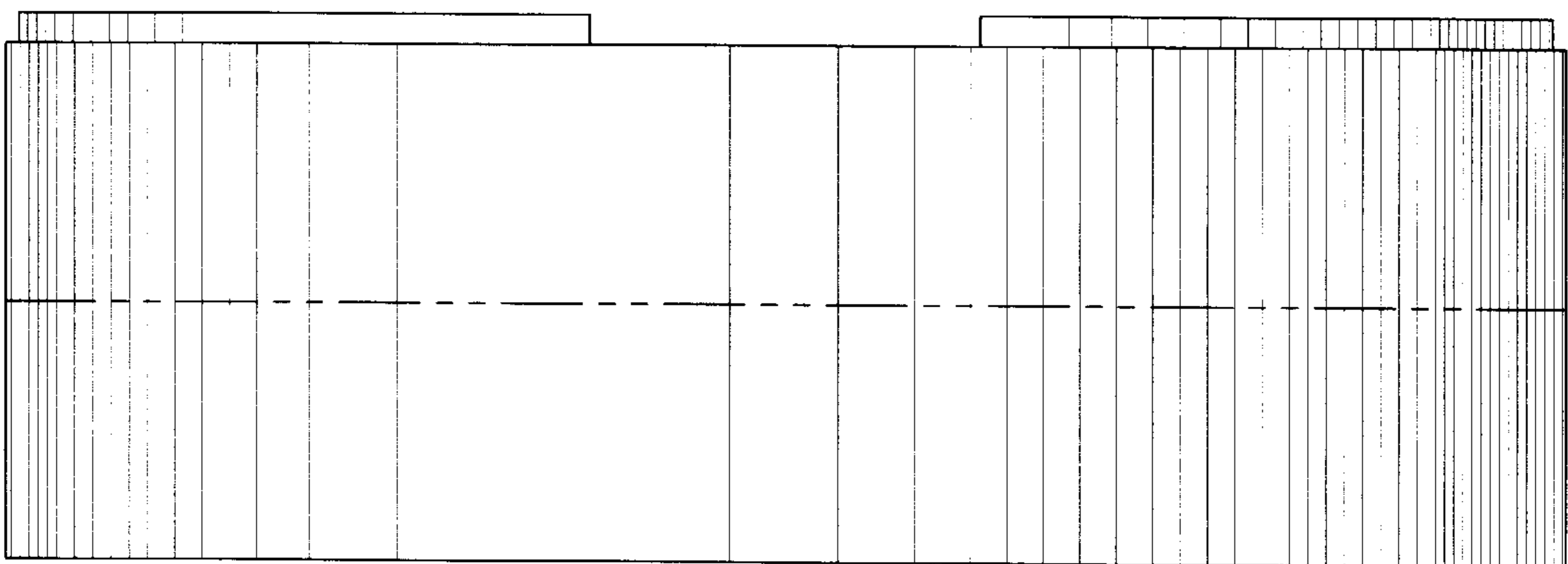


FIG. 4

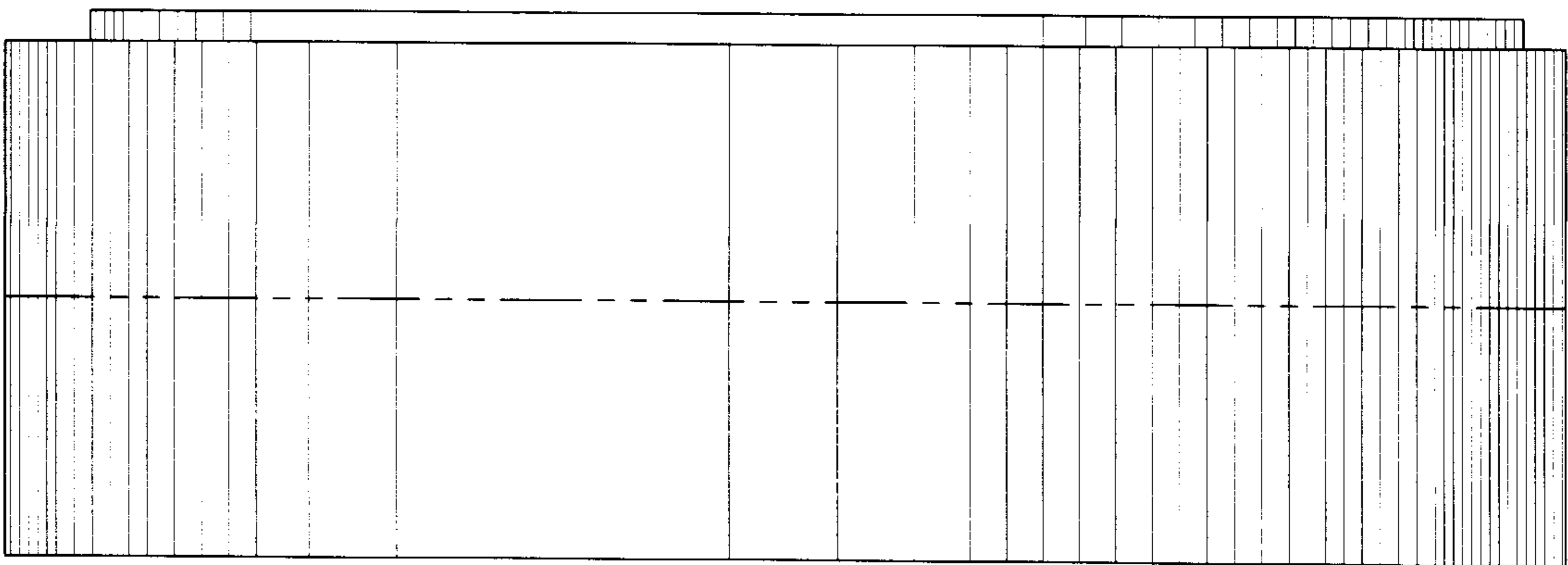


FIG. 5

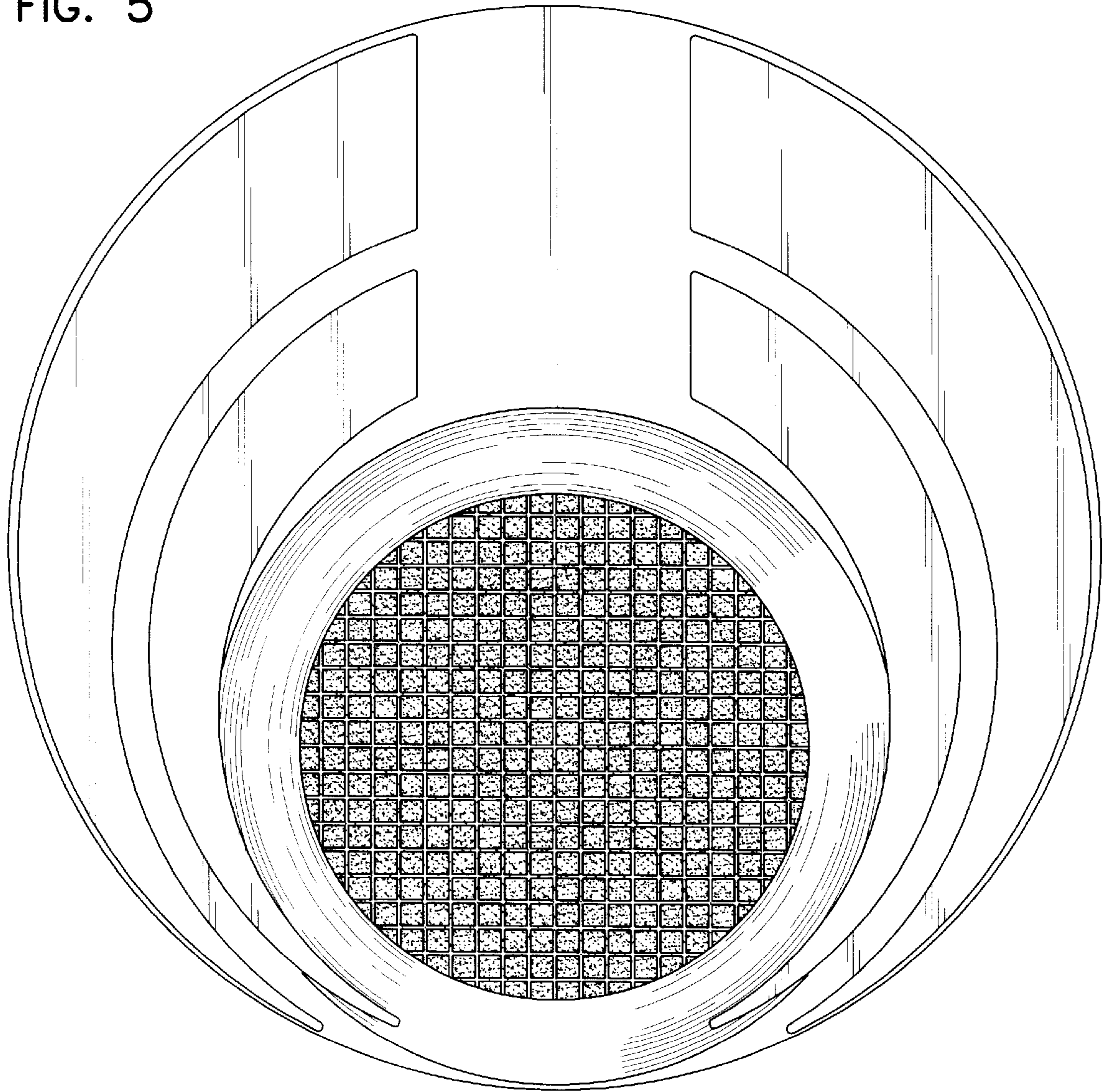
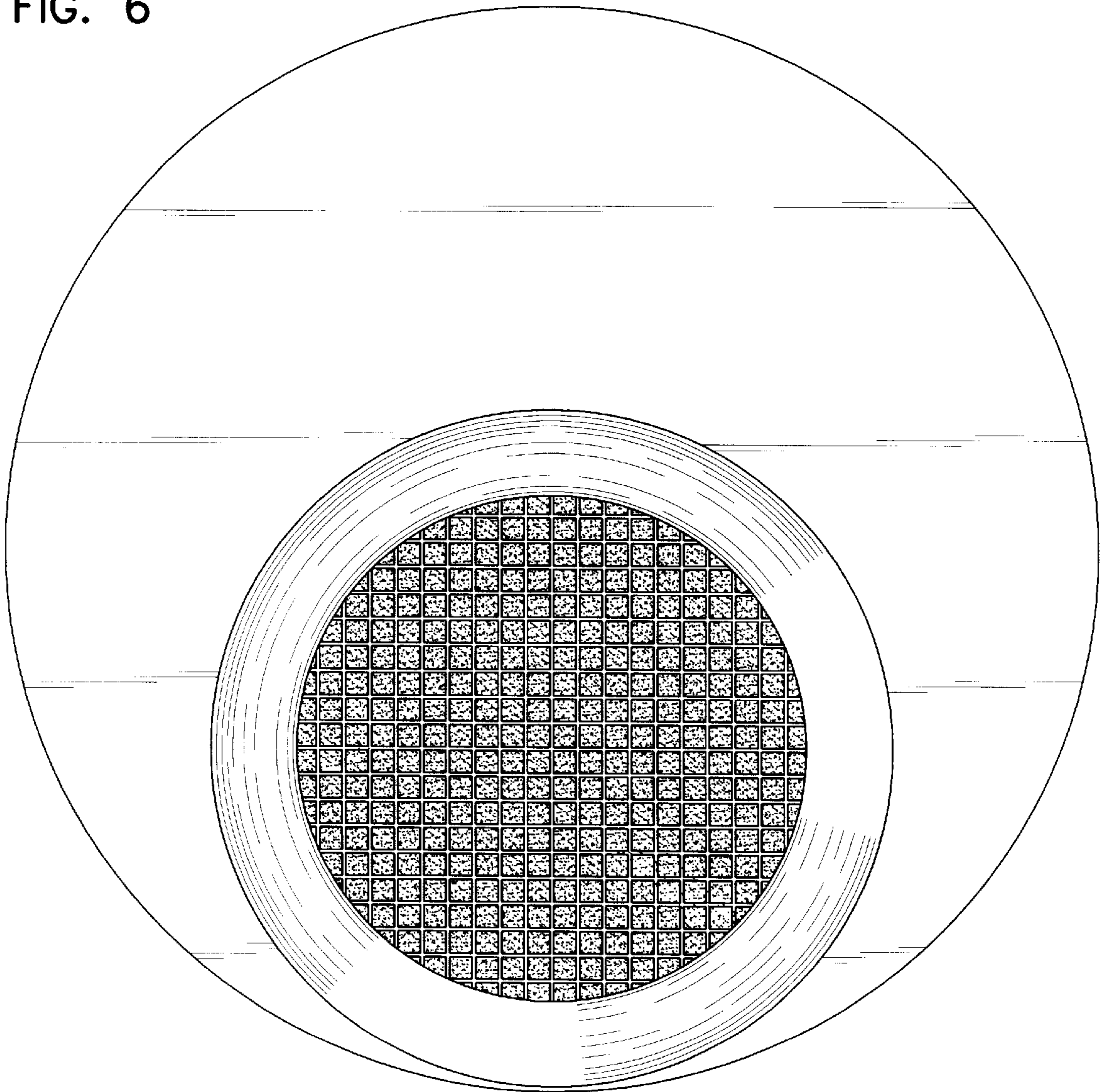


FIG. 6



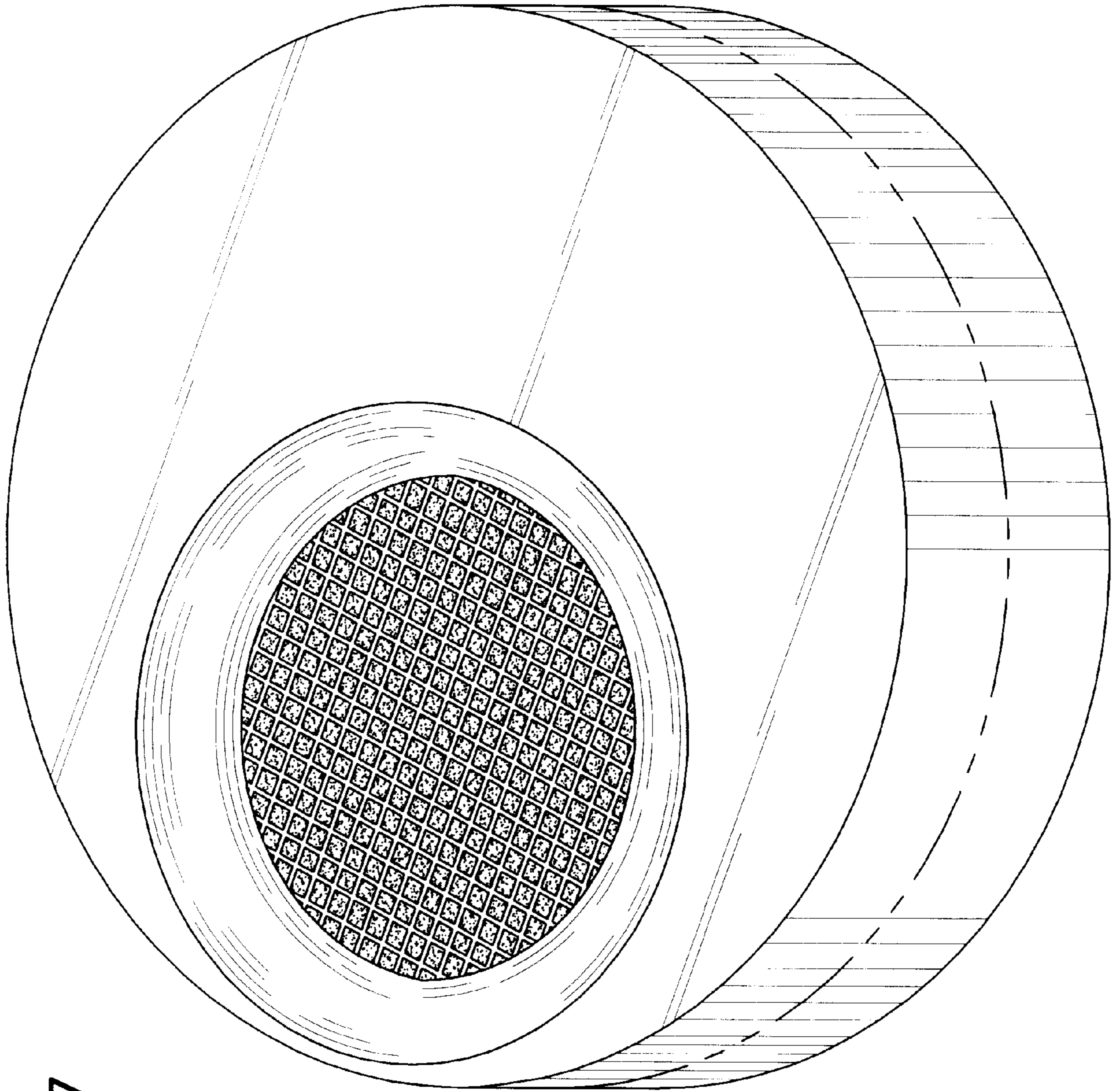


FIG. 7

FIG. 8

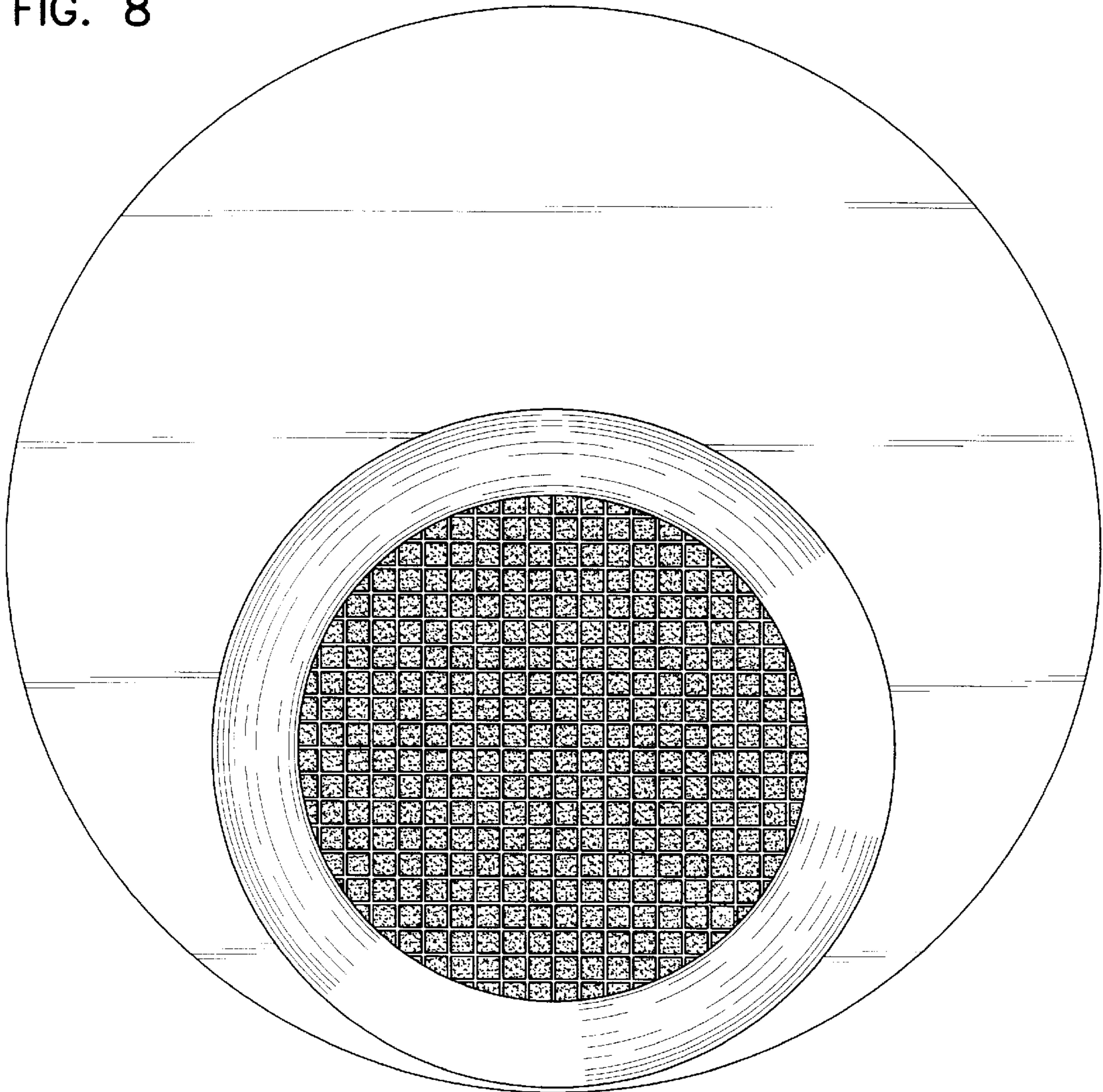


FIG. 9

