



US00D410002S

United States Patent [19] Collins

[11] **Patent Number: Des. 410,002**

[45] **Date of Patent: ** May 18, 1999**

[54] **MOBILE TELEPHONE HOUSING**

[75] Inventor: **Christopher Todd Collins**, Cary, N.C.

[73] Assignee: **Ericsson Inc.**, Research Triangle Park, N.C.

[**] Term: **14 Years**

[21] Appl. No.: **29/091,928**

[22] Filed: **Aug. 10, 1998**

[51] **LOC (6) Cl.** **14-03**

[52] **U.S. Cl.** **D14/138**

[58] **Field of Search** D14/137, 138,
D14/147-148, 247-248, 250, 240, 140-142;
379/433, 434, 419, 420, 428, 440; 455/550-575,
90

[56] **References Cited**

U.S. PATENT DOCUMENTS

- D. 379,624 6/1997 Harris et al. D14/138
- D. 382,872 8/1997 Siddoway et al. D14/137
- D. 383,746 9/1997 Richards et al. D14/137 X
- D. 384,060 9/1997 Kelley et al. D14/138

- D. 387,053 12/1997 Richards et al. D14/138
- D. 387,054 12/1997 Mischenko et al. D14/138
- D. 389,142 1/1998 Adams et al. D14/138
- D. 392,284 3/1998 Adams et al. D14/138
- D. 394,857 6/1998 Sun D14/138
- D. 396,230 7/1998 Phillips et al. D14/138

Primary Examiner—Jeffrey Asch
Attorney, Agent, or Firm—Wood, Phillips, VanSanten, Clark & Mortimer

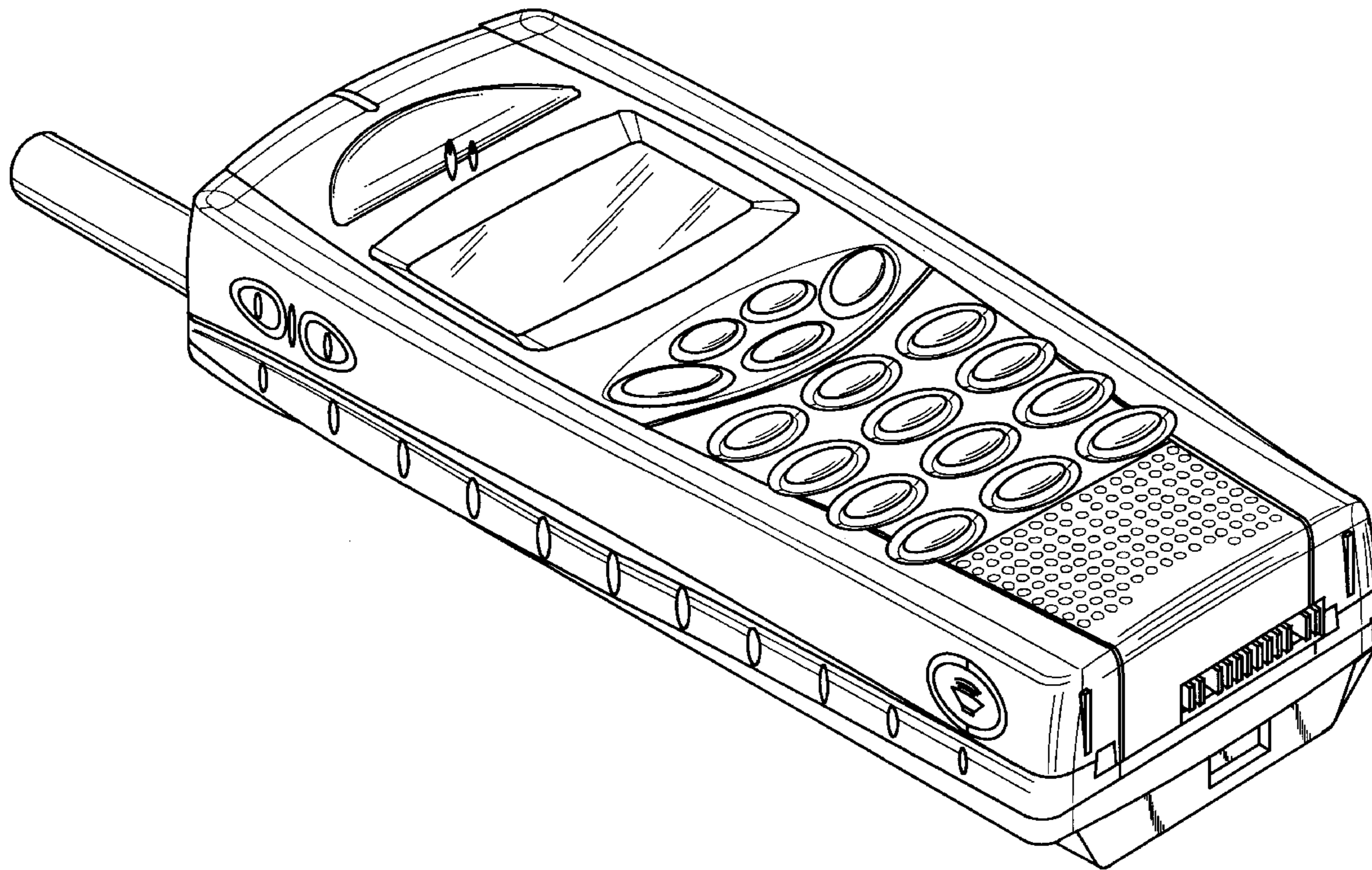
[57] **CLAIM**

The ornamental design for a mobile telephone housing, as shown and described.

DESCRIPTION

FIG. 1 is a front, bottom, and left side perspective view of my design for a mobile telephone housing;
FIG. 2 is a front elevation view thereof;
FIG. 3 is a rear elevation view thereof;
FIG. 4 is a right side elevation view thereof;
FIG. 5 is a left side elevation view thereof;
FIG. 6 is a plan view thereof; and,
FIG. 7 is a bottom view thereof.

1 Claim, 4 Drawing Sheets



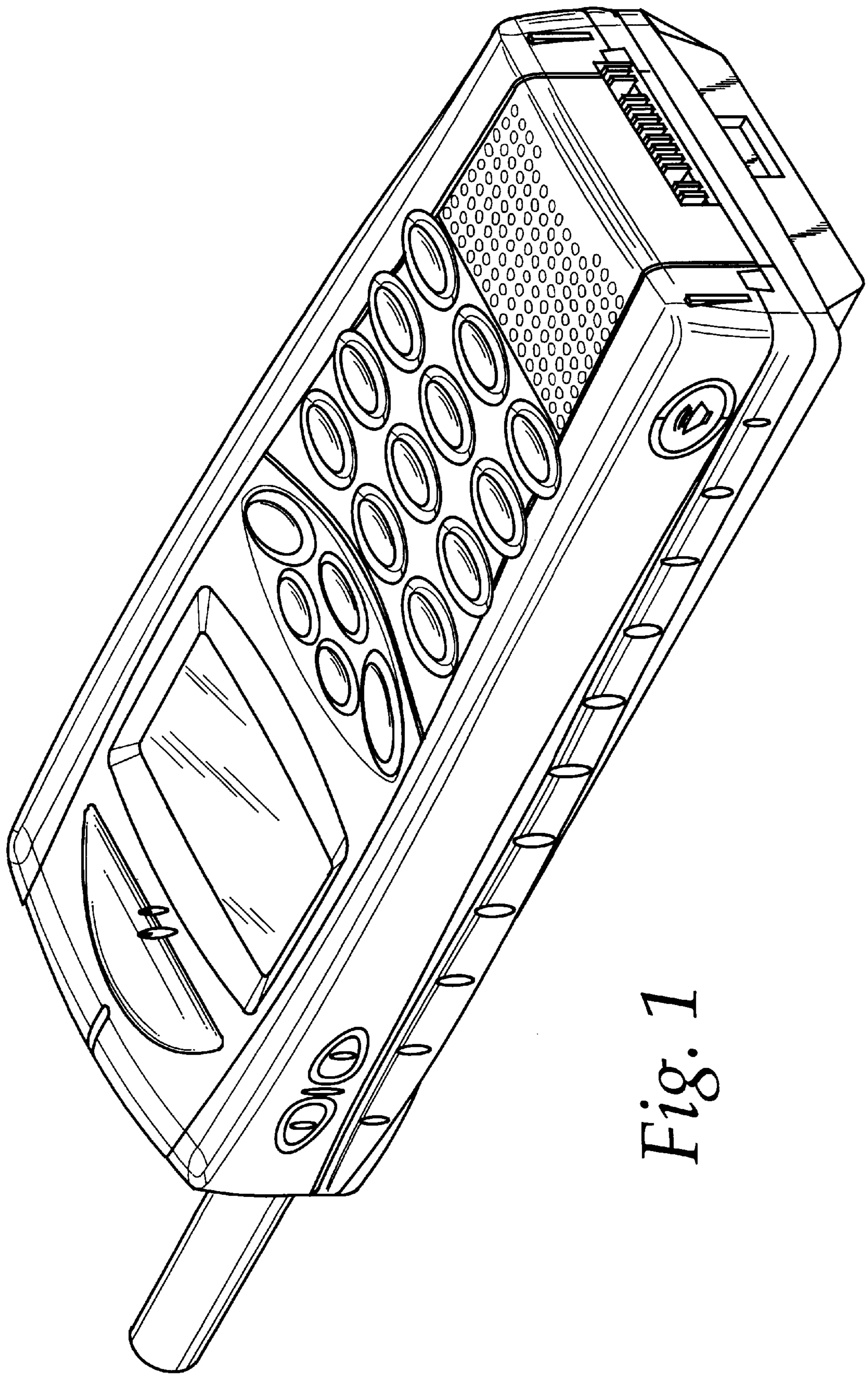


Fig. 1

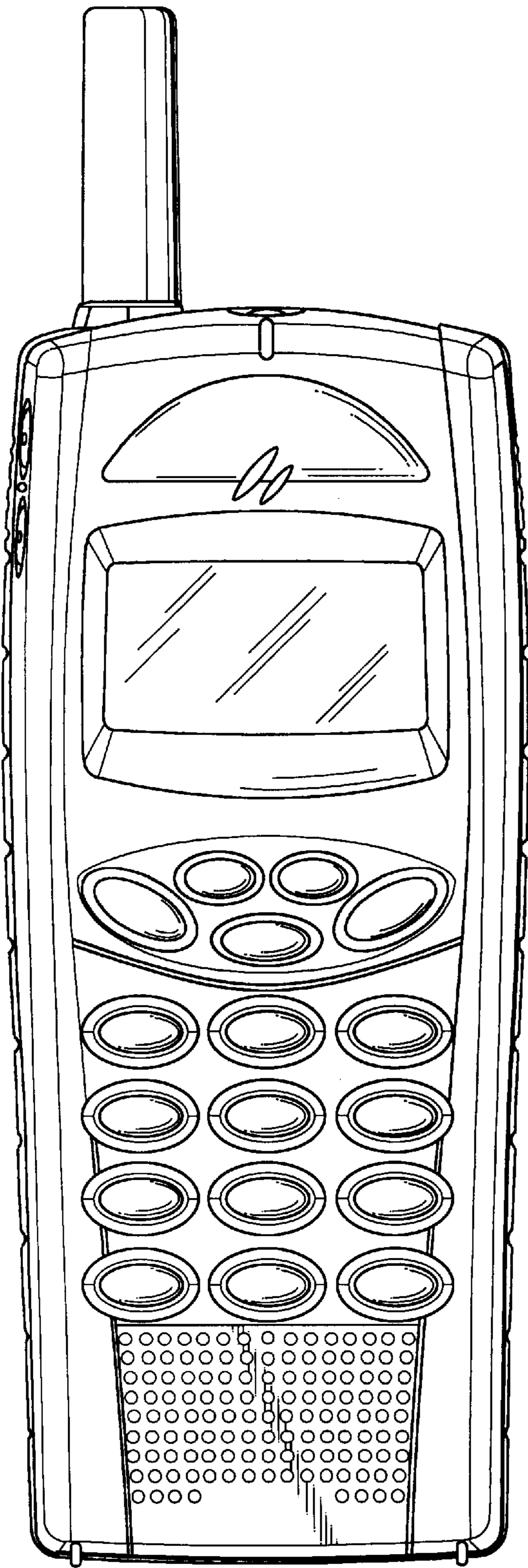


Fig. 2

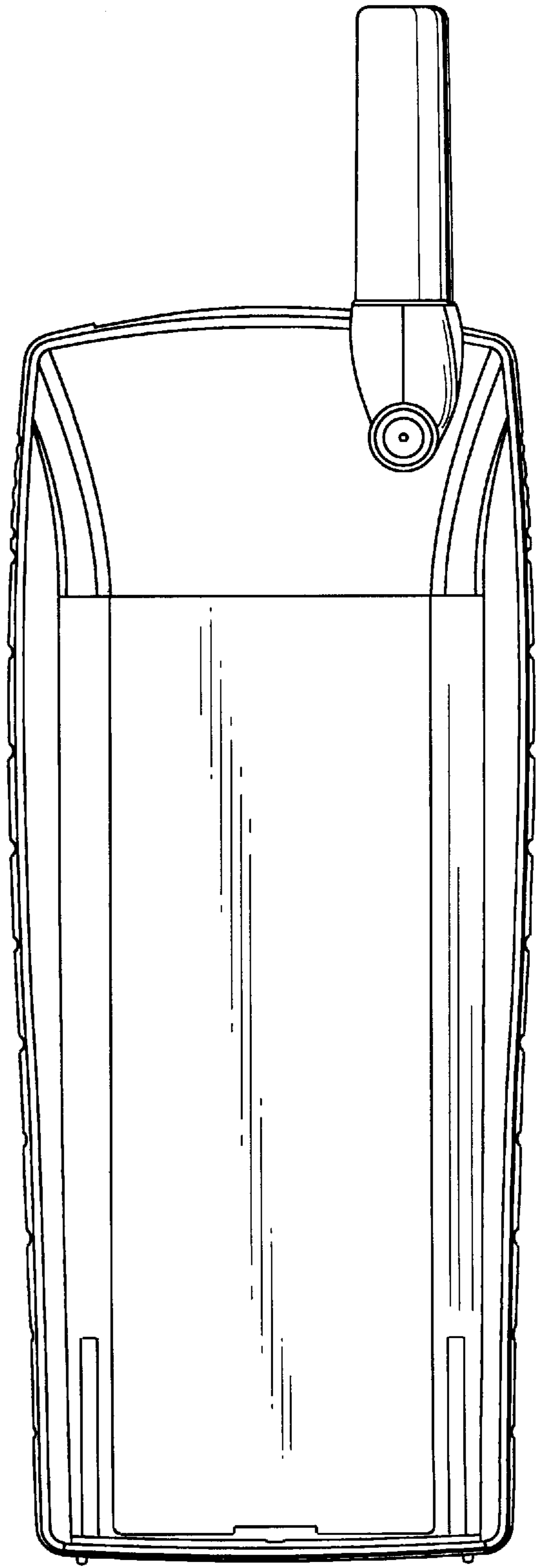


Fig. 3

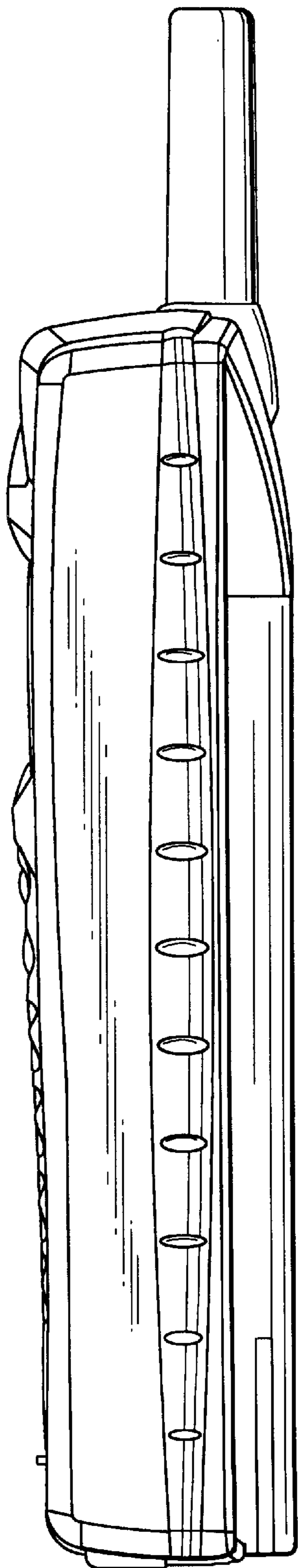


Fig. 4

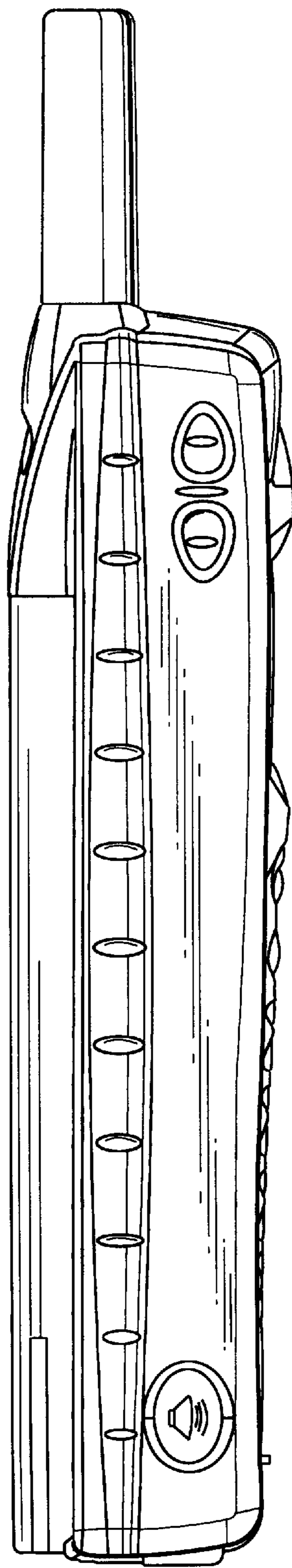


Fig. 5

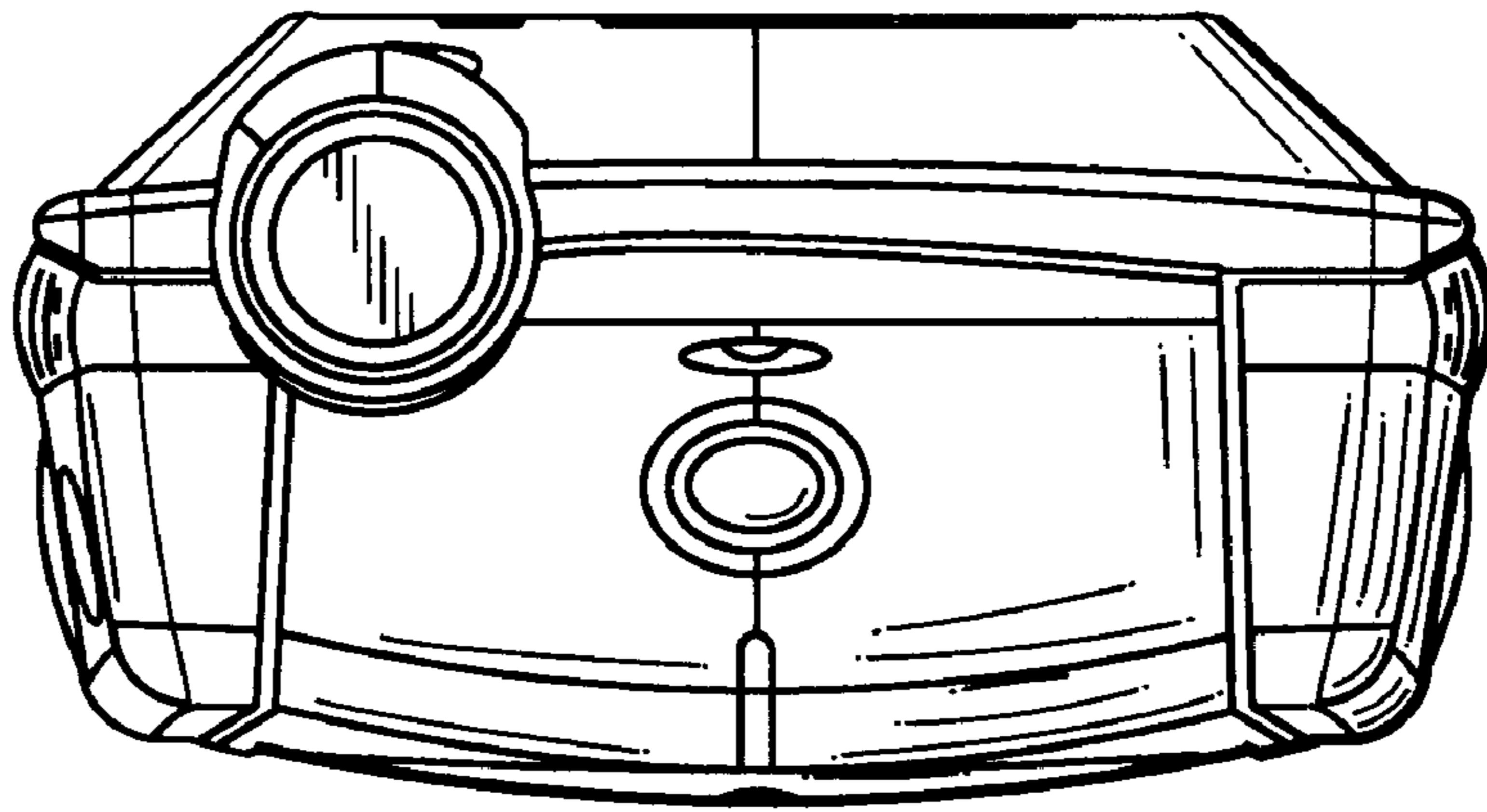


Fig. 6

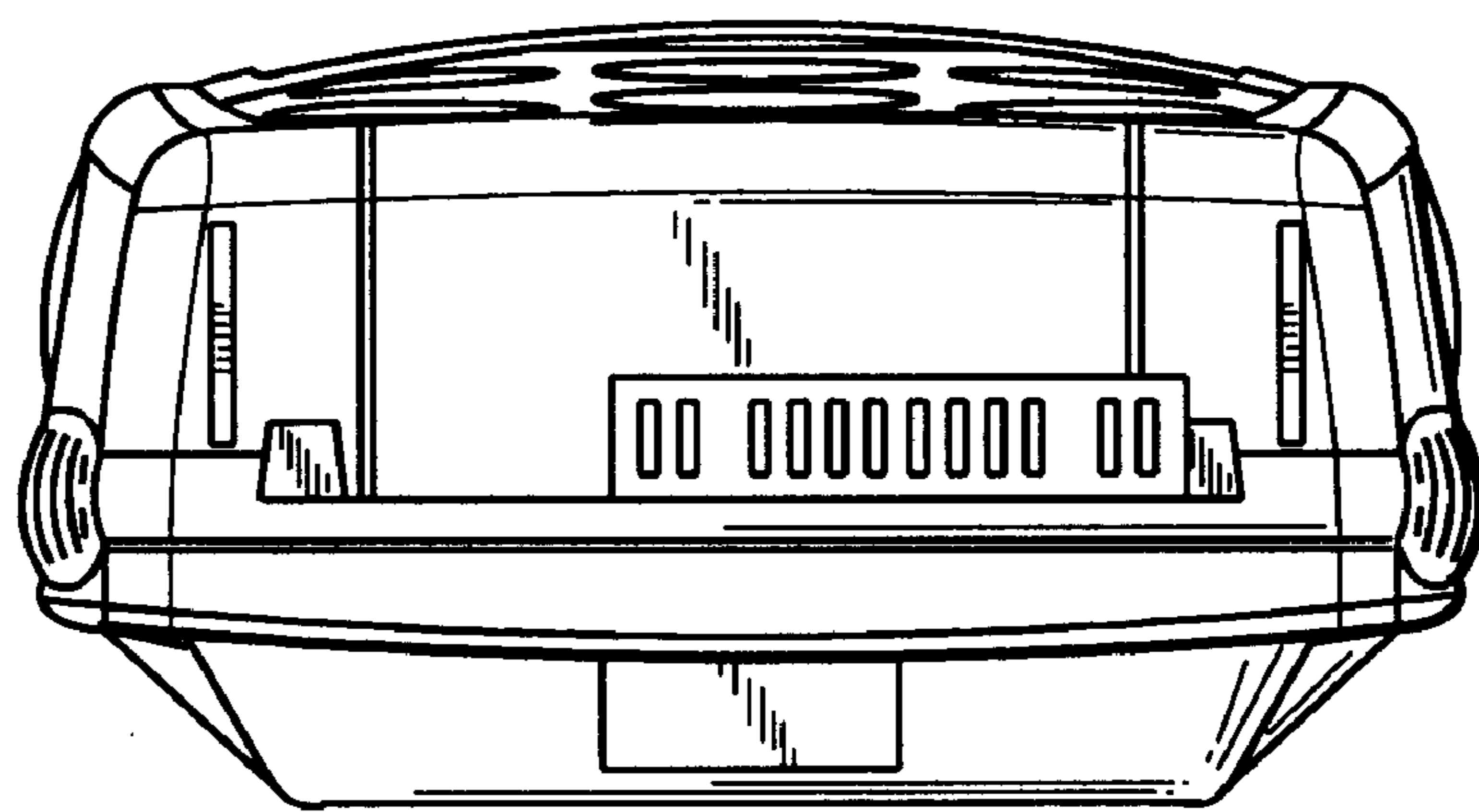


Fig. 7