



US00D409996S

United States Patent [19]

[11] **Patent Number: Des. 409,996**

Isomoto

[45] **Date of Patent: ** May 18, 1999**

[54] **FACSIMILE TRANSMITTER-RECEIVER**

D. 387,344	12/1997	Isomoto	D14/118
4,872,061	10/1989	Uchiyama	358/400
4,914,281	4/1990	Benton et al.	D14/118 X

[75] Inventor: **Masataka Isomoto**, Yokohama, Japan

[73] Assignee: **Canon Kabushiki Kaisha**, Tokyo, Japan

[**] Term: **14 Years**

[21] Appl. No.: **29/087,828**

[22] Filed: **May 11, 1998**

[30] **Foreign Application Priority Data**

Nov. 13, 1997 [JP] Japan 9-74797

[51] **LOC (6) Cl.** **16-03**

[52] **U.S. Cl.** **D14/118**

[58] **Field of Search** D14/118, 124, D14/299; 358/400, 401; D18/36, 37, 50

[56] **References Cited**

U.S. PATENT DOCUMENTS

D. 328,600	8/1992	Yomo	D14/118
D. 370,905	6/1996	Ishio	D14/118
D. 374,030	9/1996	Horiki et al.	D14/118 X
D. 381,328	7/1997	Nguyen et al.	D14/118
D. 385,287	10/1997	Omino	D14/118

OTHER PUBLICATIONS

Panasonic Brochure, Panafx Facsimile, Jun. 1994.
Radio Shack, p. 4, 1991.

Primary Examiner—Prabhakar Deshmukh
Attorney, Agent, or Firm—Fitzpatrick, Cella, Harper & Scinto

[57] **CLAIM**

The ornamental design for a facsimile transmitter-receiver, as shown and described.

DESCRIPTION

FIG. 1 is a front view of a facsimile transmitter-receiver showing my new design;
FIG. 2 is a rear view thereof;
FIG. 3 is a top plan view thereof;
FIG. 4 is a bottom plan view thereof;
FIG. 5 is a left side view thereof;
FIG. 6 is a right side view thereof; and,
FIG. 7 is a perspective view thereof.

1 Claim, 5 Drawing Sheets

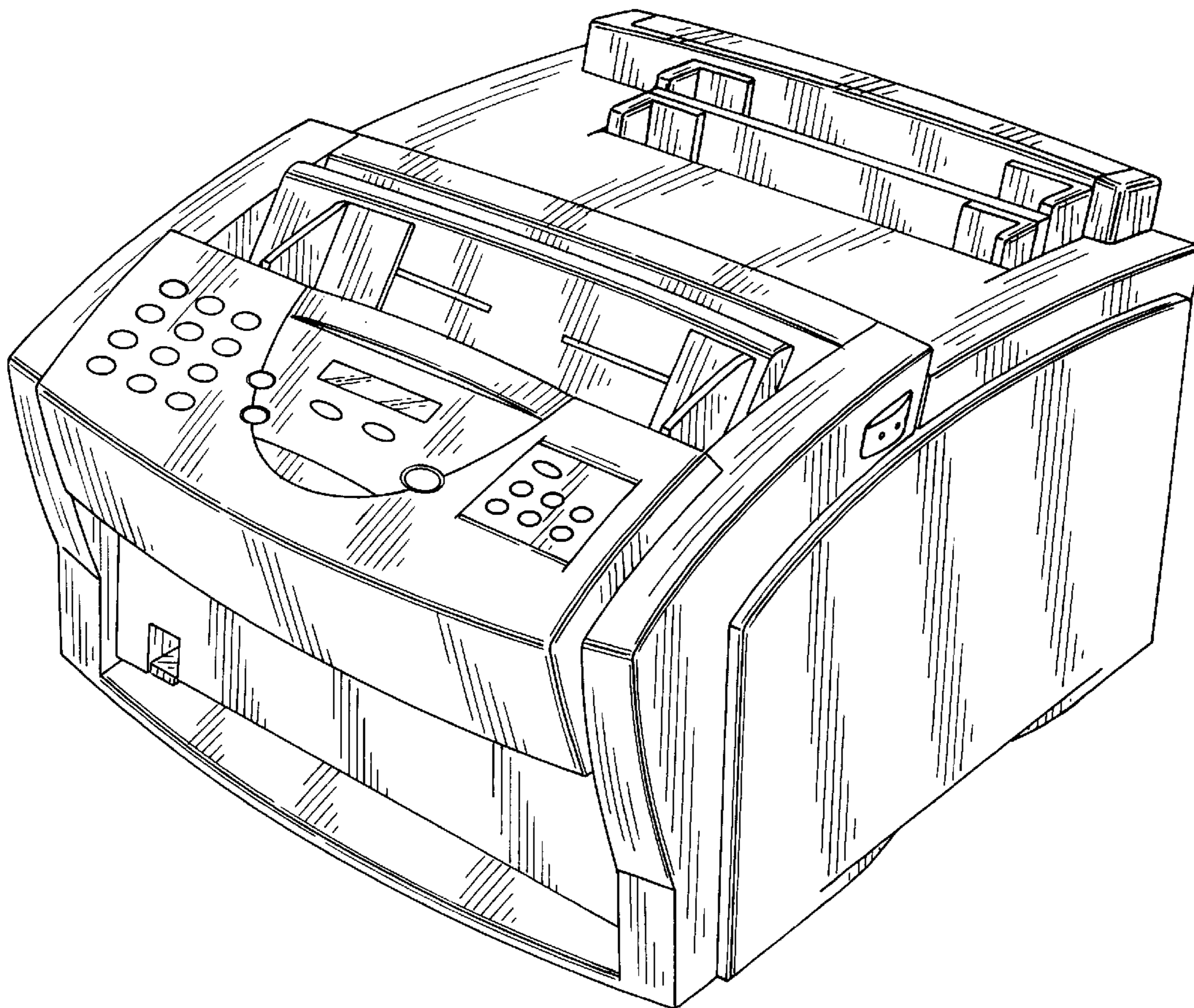


FIG. 1

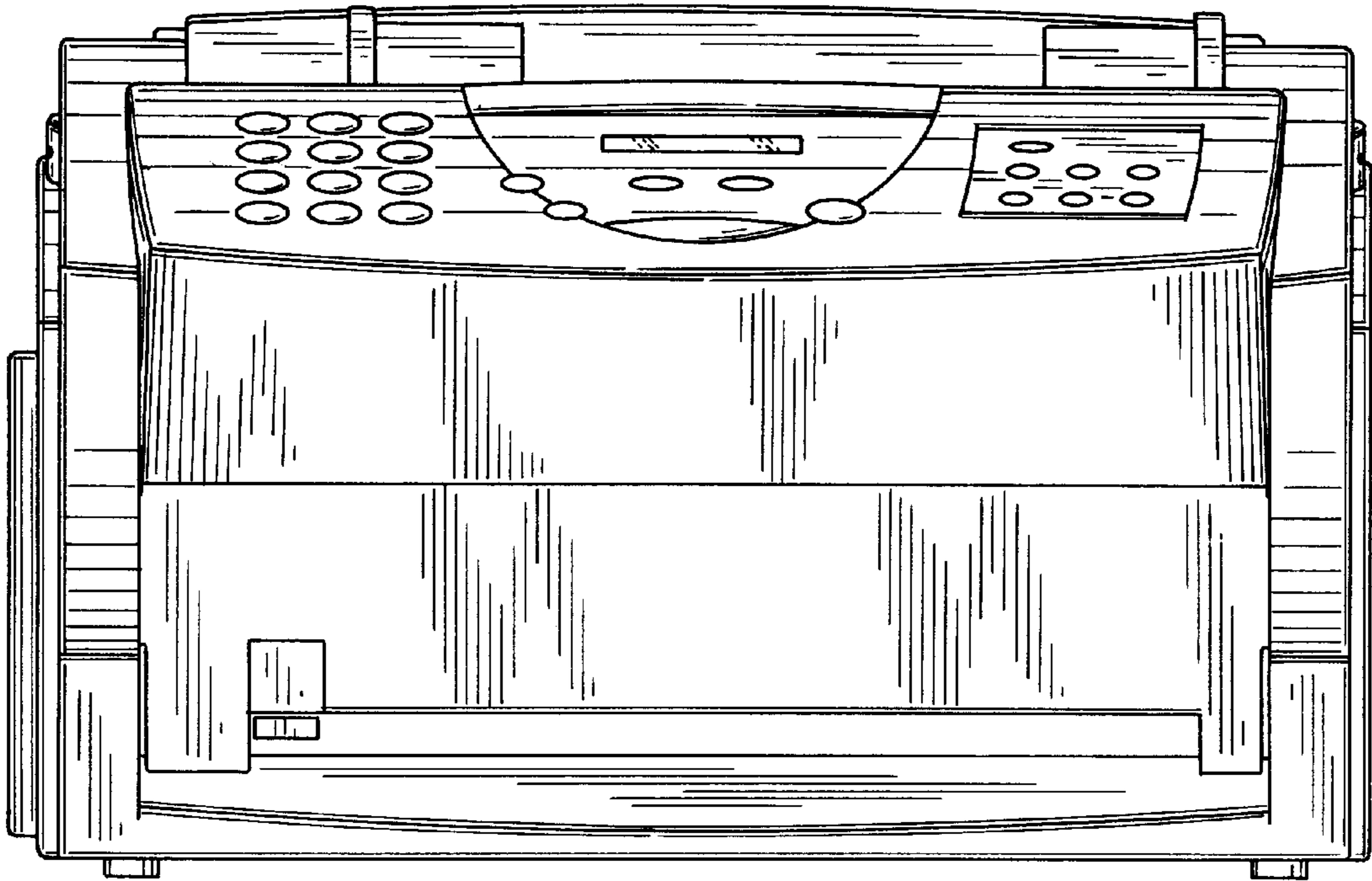


FIG. 2

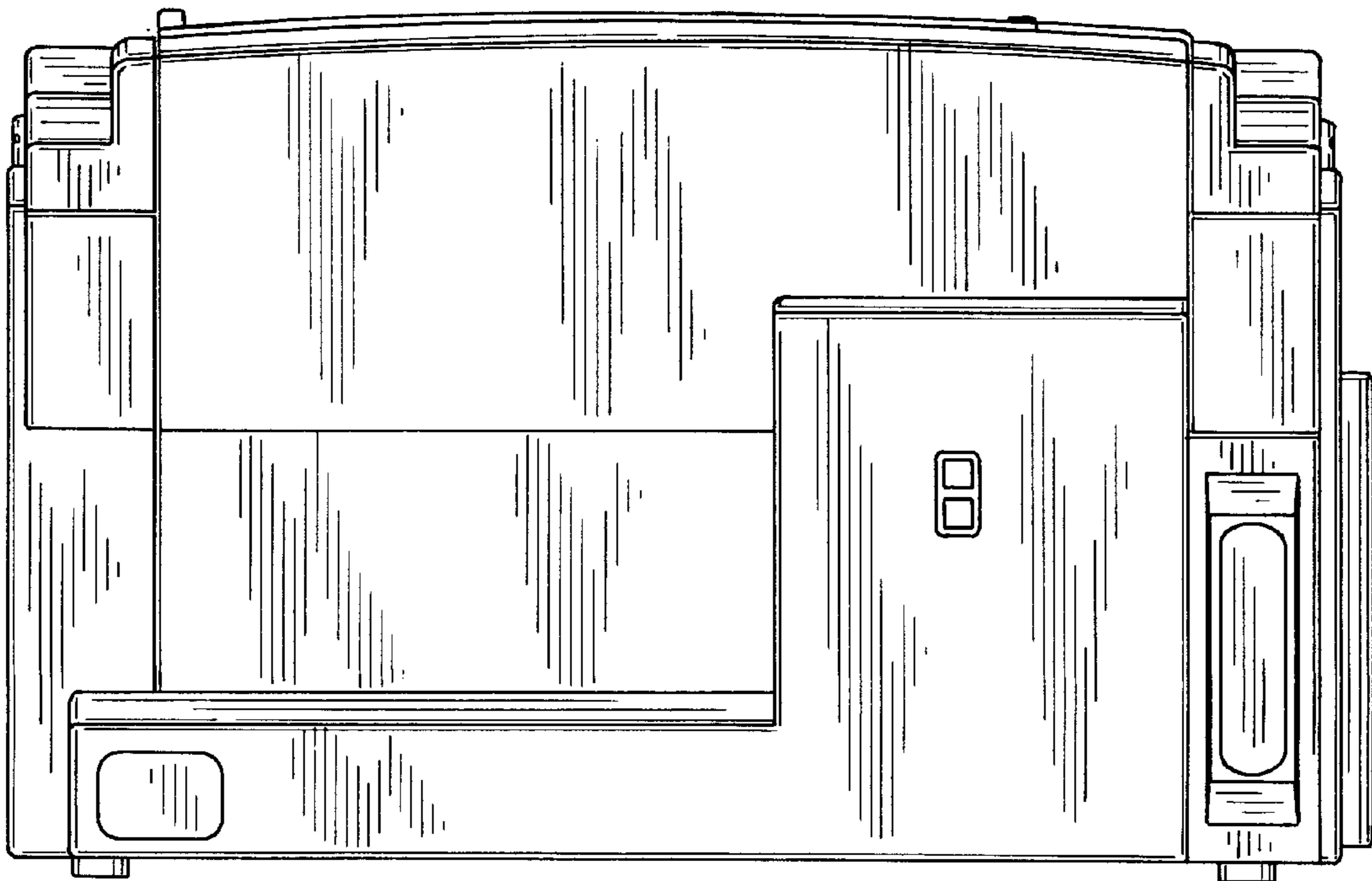


FIG. 3

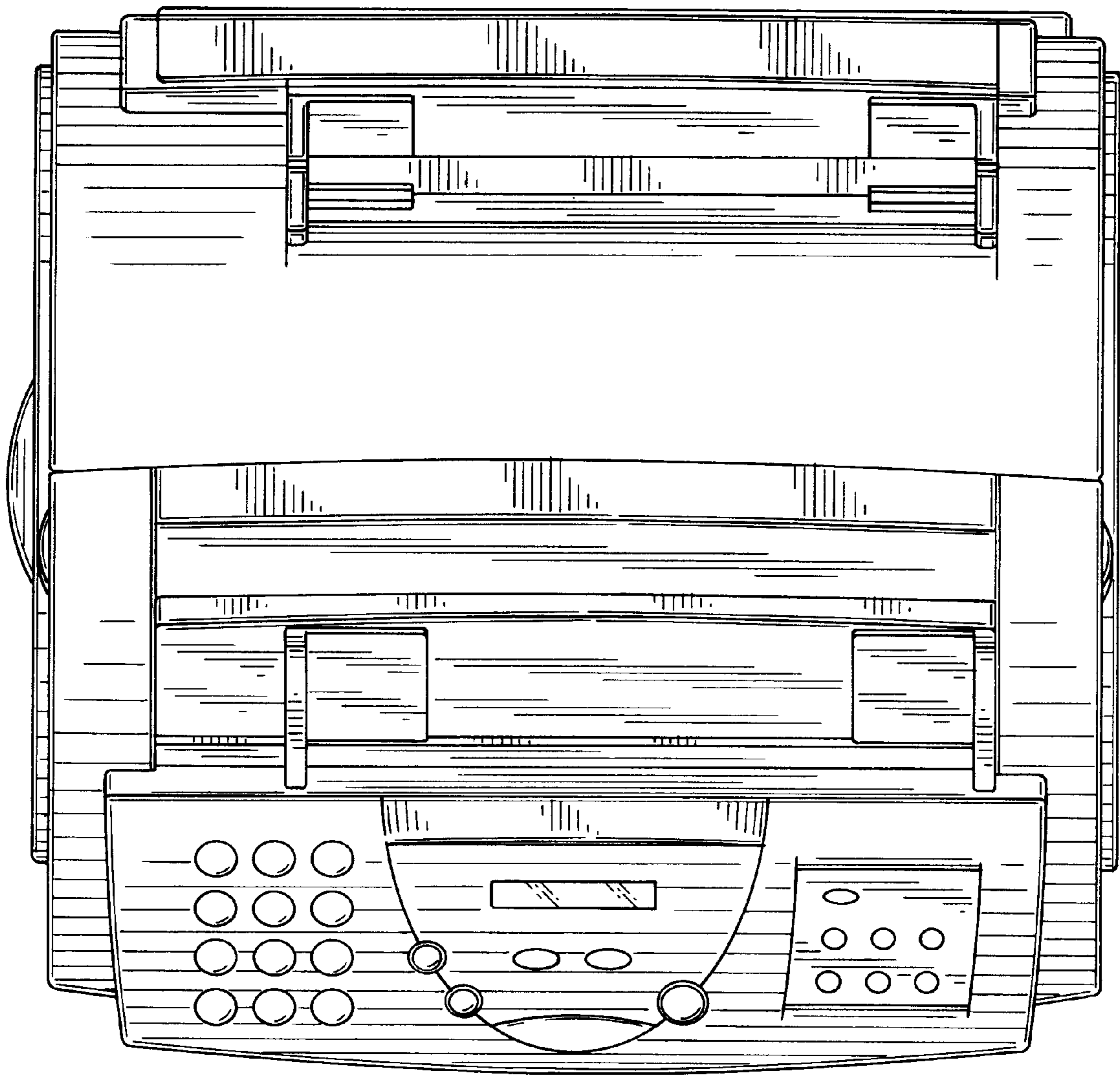


FIG. 4

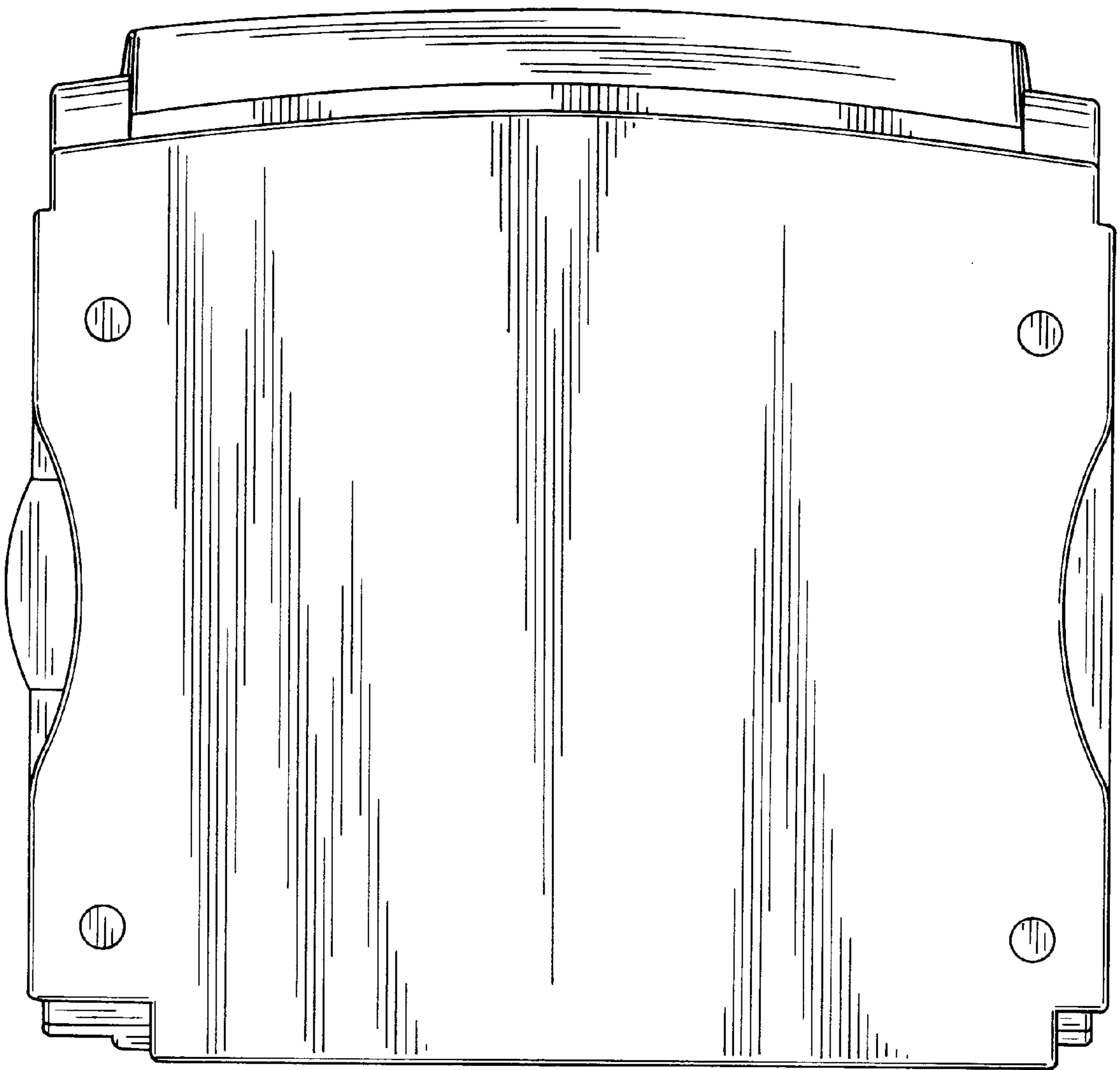


FIG. 5

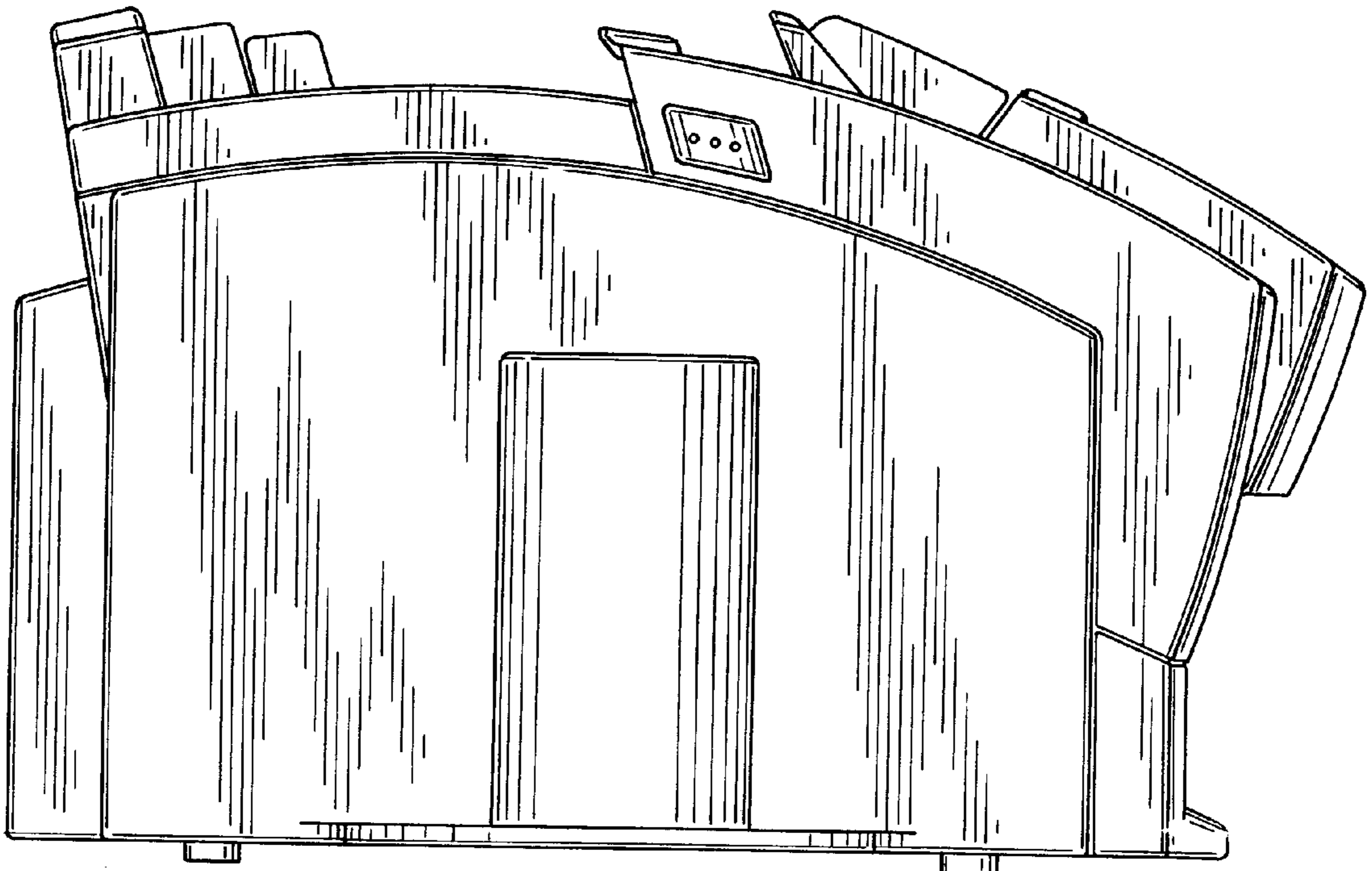


FIG. 6

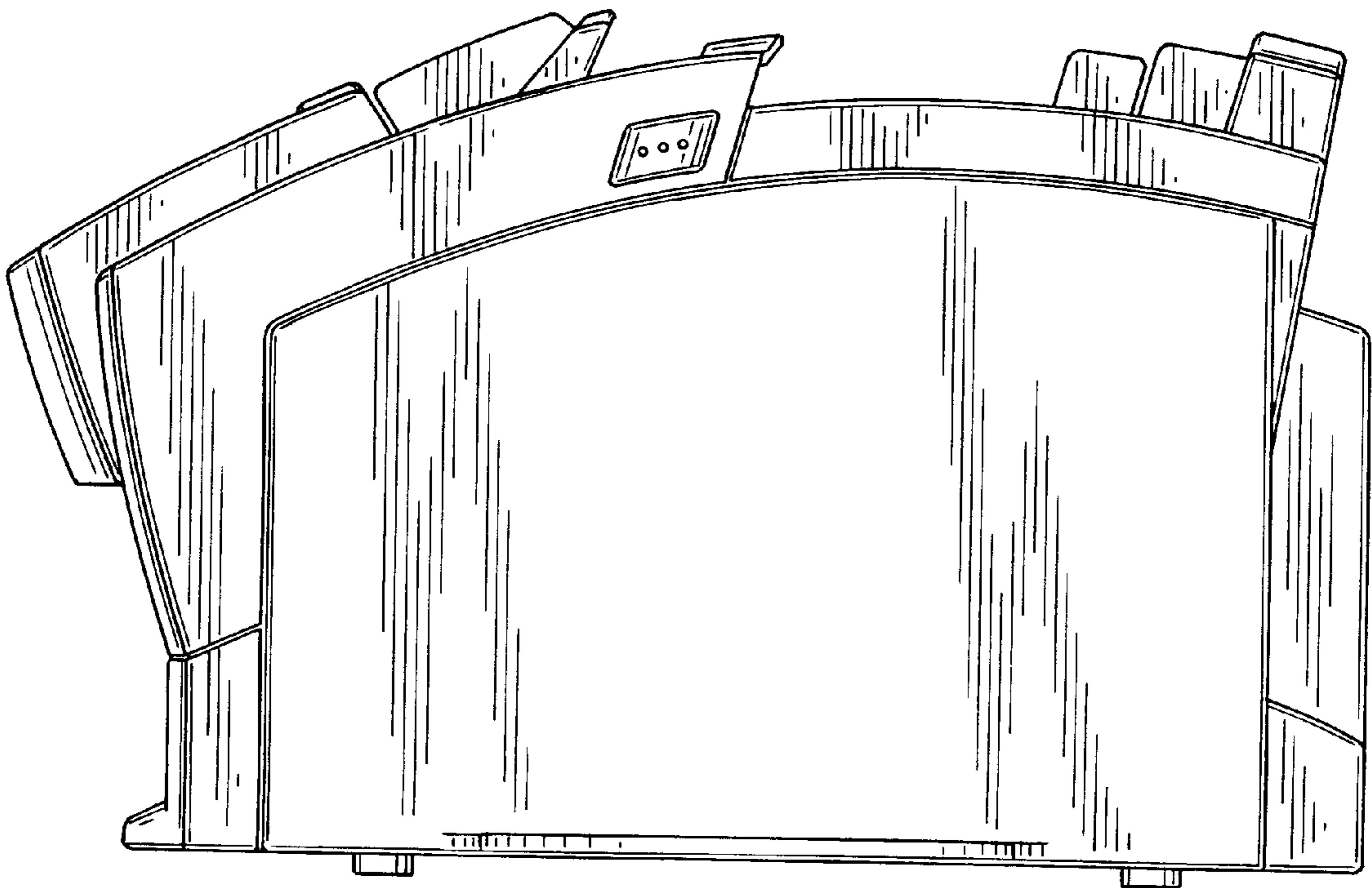


FIG. 7

