



US00D409988S

United States Patent [19]

Otis et al.

[11] Patent Number: **Des. 409,988**

[45] Date of Patent: **** May 18, 1999**

[54] **DOOR FOR A DATA-STORAGE-MEDIA LIBRARY**

[75] Inventors: **Jonathan T. Otis; Neil McIlvane**, both of Seattle, Wash.

[73] Assignee: **Advanced Digital Information Corporation**, Washington

[**] Term: **14 Years**

[21] Appl. No.: **29/086,685**

[22] Filed: **Apr. 17, 1998**

[51] **LOC (6) Cl.** **14-02**

[52] **U.S. Cl.** **D14/107; D14/114; D14/115**

[58] **Field of Search** **D14/100, 102, D14/114, 107-109, 115; D13/162, 184, 199; D6/432, 436, 445, 448; 312/208.1; 360/97.01, 97.04, 98.01, 99.01, 99.12; 361/694, 696**

5,182,687 1/1993 Campbell et al. 360/92
 5,235,474 8/1993 Searle 360/71
 5,258,882 11/1993 Apple et al. 360/92
 5,291,110 3/1994 Andrews, Jr. et al. 318/560
 5,481,514 1/1996 Yamasaki et al. 369/36
 5,781,367 7/1998 Searle et al. 360/92

FOREIGN PATENT DOCUMENTS

0 186 945 5/1986 European Pat. Off. .
 0 392 620 10/1990 European Pat. Off. 360/92
 3612531 11/1986 Germany 360/92
 61-92467 5/1986 Japan 360/92
 62-239370 10/1987 Japan 360/92
 62-239372 10/1987 Japan 360/92
 62-239460 10/1987 Japan 360/92
 63-244440 10/1988 Japan .
 2-42672 2/1990 Japan 360/92
 3-44858 2/1991 Japan 360/92
 3-91153 4/1991 Japan 360/92
 4-10264 1/1992 Japan 360/92
 4-163761 6/1992 Japan 360/92
 5-144144 6/1993 Japan 360/92

[56] References Cited

U.S. PATENT DOCUMENTS

D. 331,048 11/1992 Ito et al. D14/115
 D. 334,919 4/1993 Hammar et al. D14/109
 D. 362,248 9/1995 Marotti et al. D14/115
 D. 377,787 2/1997 Fleckenstein D14/107
 3,809,263 5/1974 Dodd et al. 214/16.4
 3,831,197 8/1974 Beach et al. 360/71
 4,519,522 5/1985 McElwee 221/13
 4,654,727 3/1987 Blum et al. 360/71
 4,779,151 10/1988 Lind et al. 360/92
 4,802,035 1/1989 Ohtsuka 360/92
 4,816,943 3/1989 Tanaka et al. 360/92
 4,817,070 3/1989 Hug et al. 369/36
 4,864,511 9/1989 Moy et al. 364/478
 4,945,429 7/1990 Munro 360/92
 4,984,106 1/1991 Herger et al. 360/92
 5,016,127 5/1991 Inoue et al. 360/92
 5,089,920 2/1992 Bryer et al. 360/92
 5,157,564 10/1992 Theabold et al. 360/92

Primary Examiner—Freda Nunn
Attorney, Agent, or Firm—Seed & Berry LLP

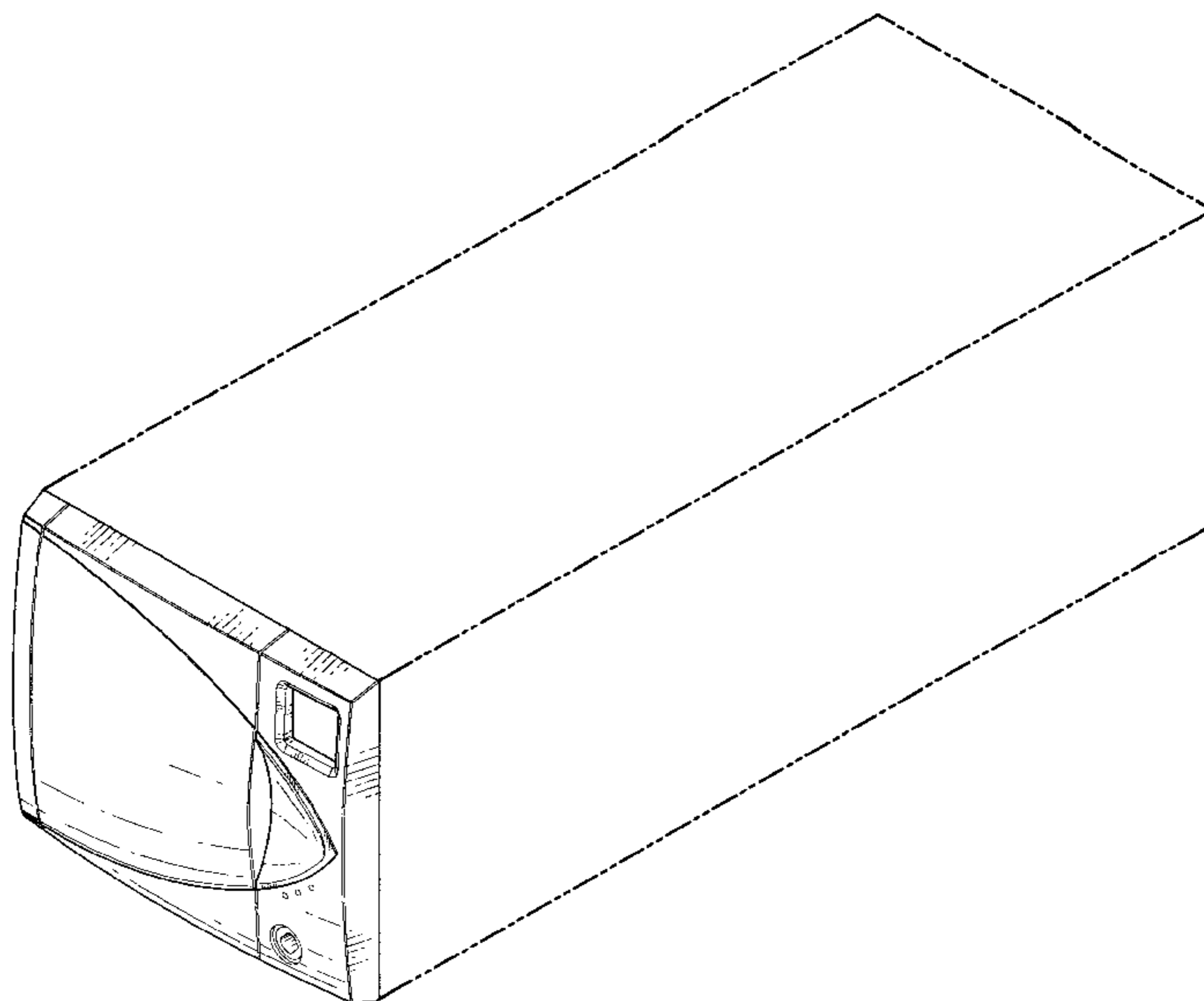
[57] CLAIM

The ornamental design for a door for a data-storage-media library, as shown and described.

DESCRIPTION

FIG. 1 is a front perspective view of a door for a data-storage media library showing our new design;
 FIG. 2 is a front elevational view thereof;
 FIG. 3 is a rear elevational view thereof;
 FIG. 4 is a top plan view thereof;
 FIG. 5 is a bottom plan view thereof;
 FIG. 6 is a right side elevational view thereof; and,
 FIG. 7 is a left side elevational view thereof.
 The broken lines are shown in the views for illustrative purposes only and form no part of the claimed design.

1 Claim, 2 Drawing Sheets



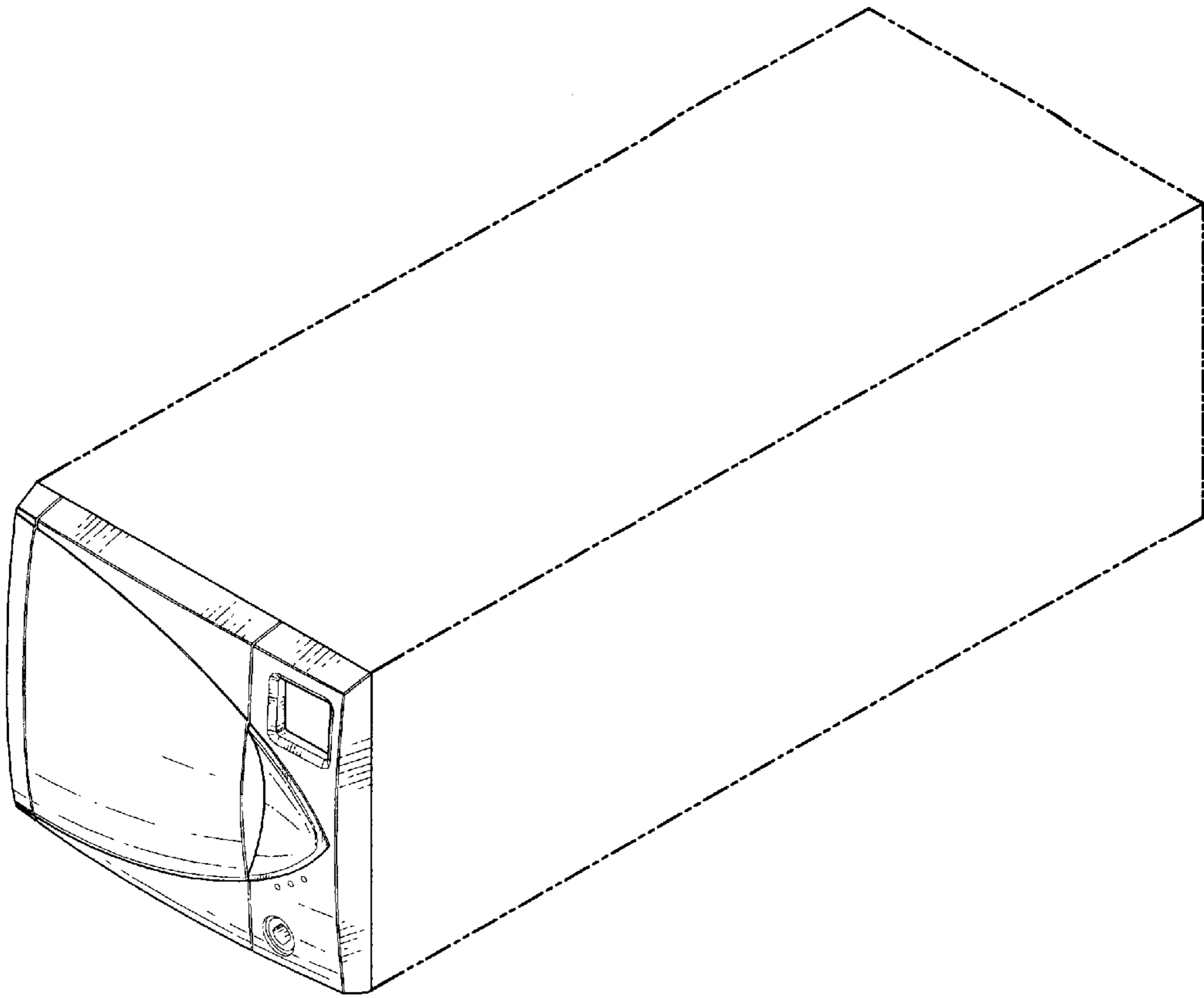


Fig. 1

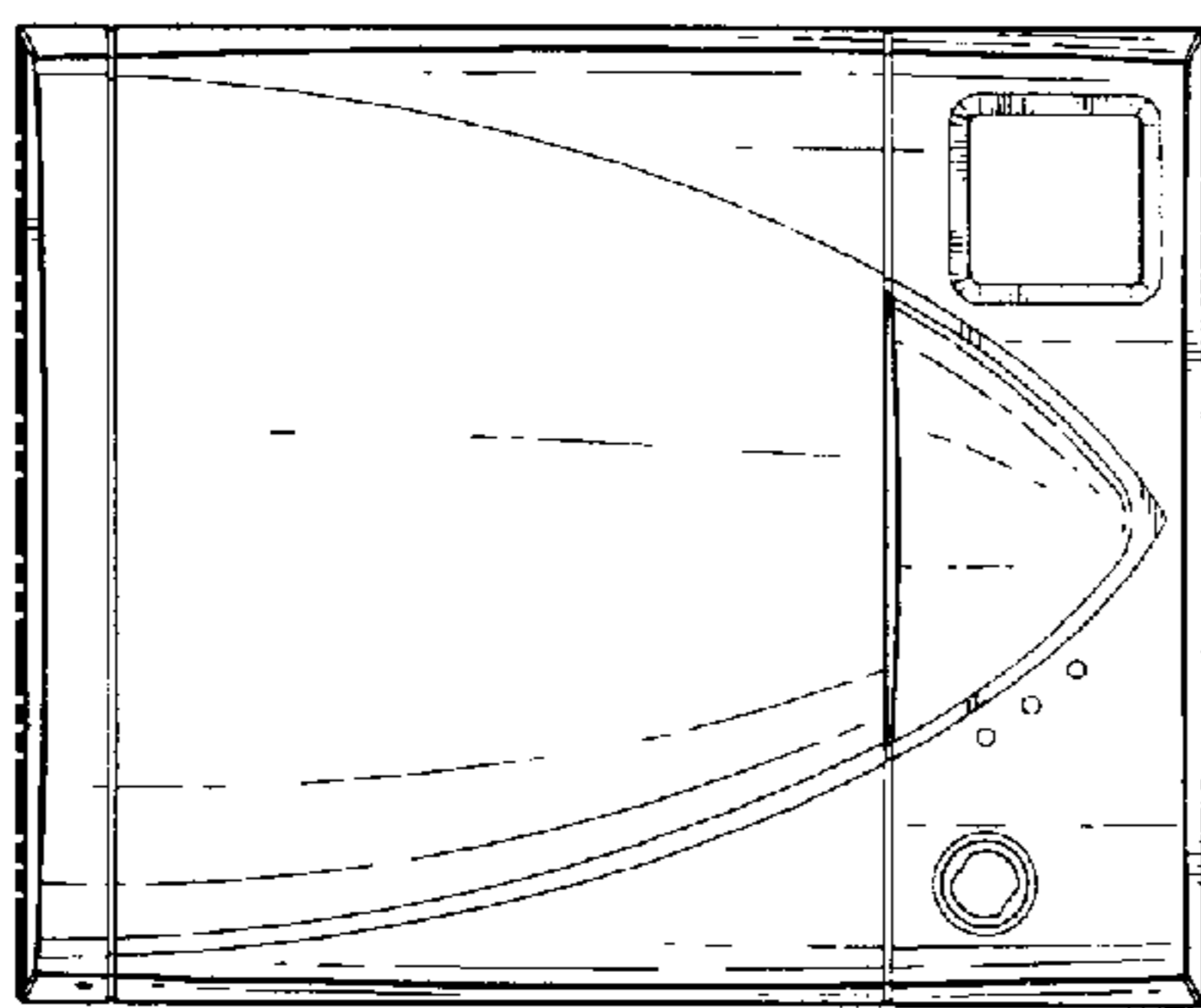


Fig. 2

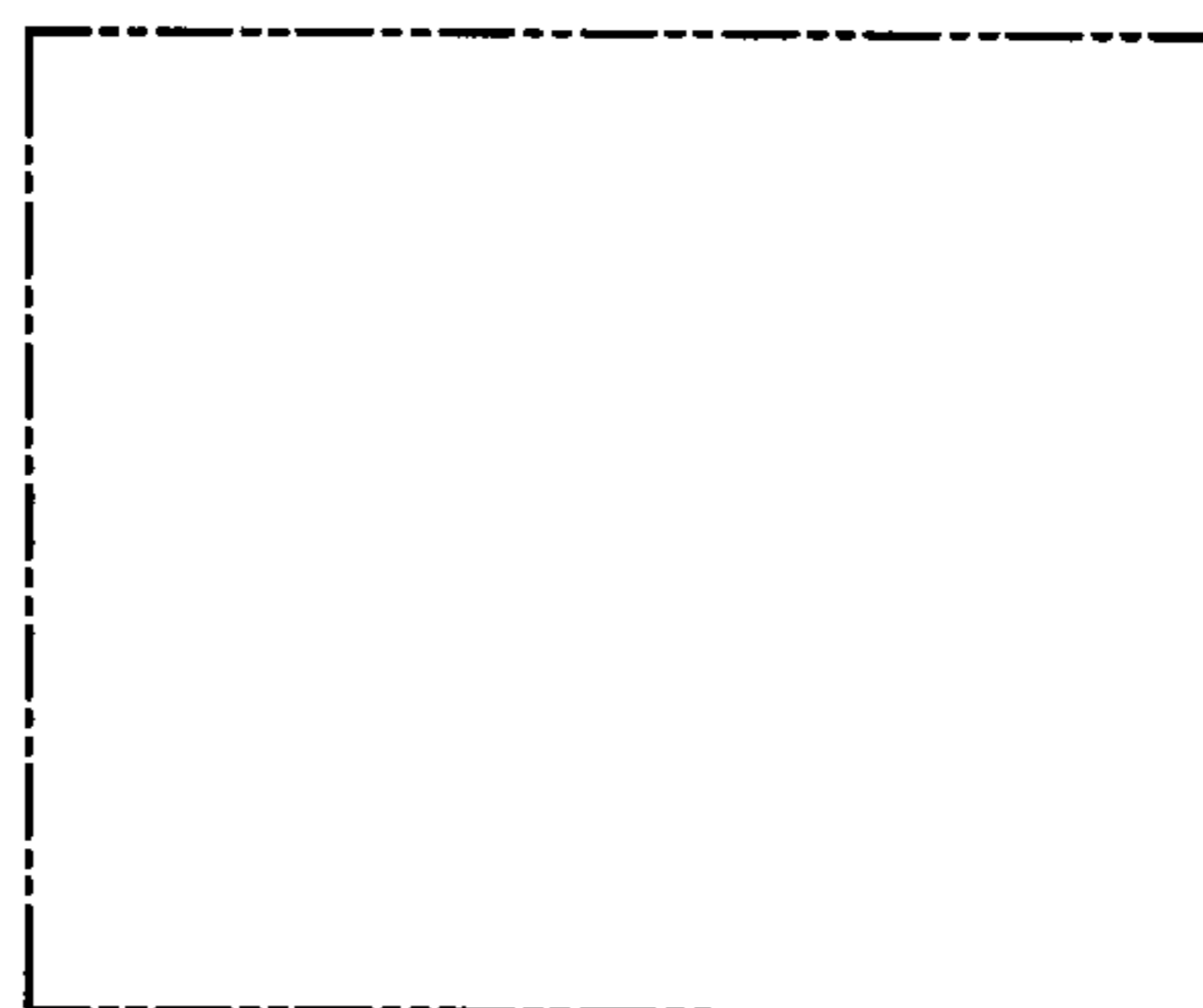


Fig. 3

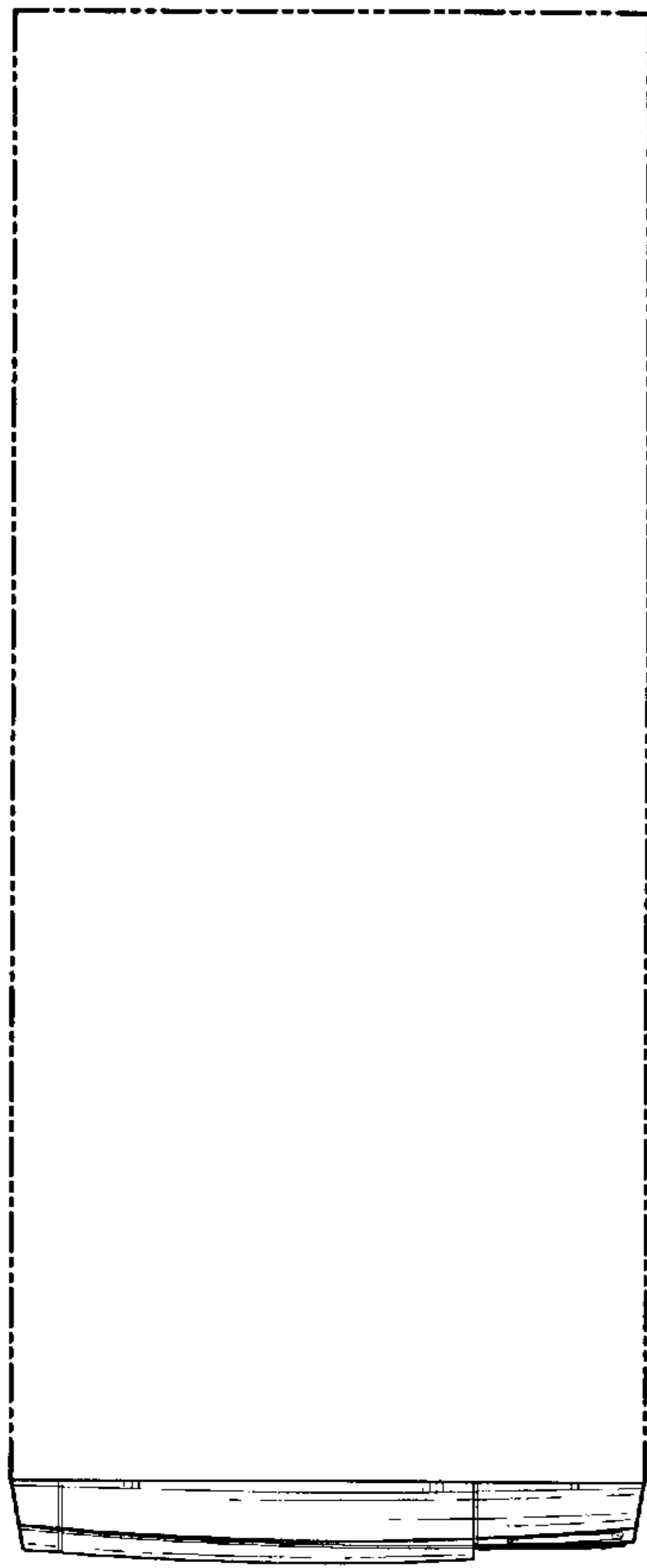


Fig. 4

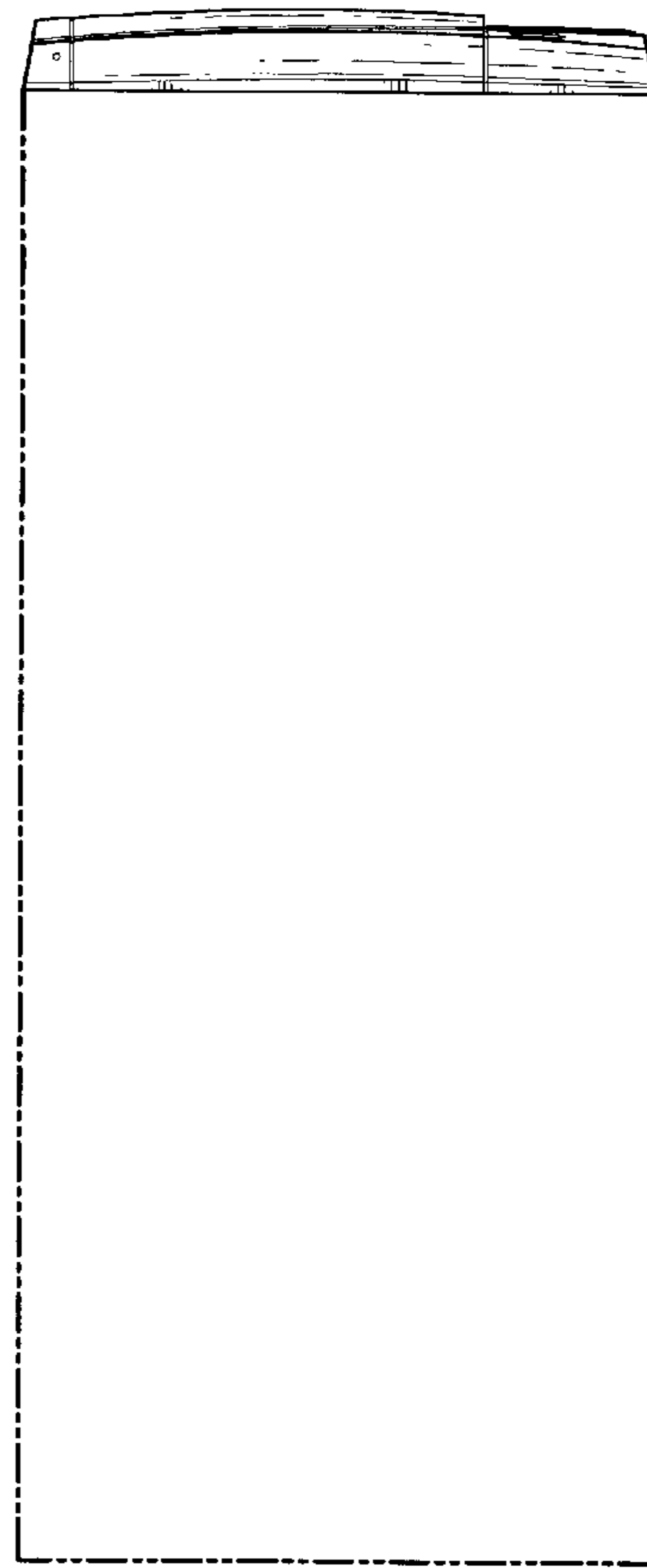


Fig. 5

Fig. 6



Fig. 7

