



US00D409985S

# United States Patent [19] Hsiang

[11] Patent Number: **Des. 409,985**

[45] Date of Patent: **\*\* May 18, 1999**

[54] **ADAPTER**

[75] Inventor: **Tzu-Yen Hsiang**, Taipei Hsien, Taiwan

[73] Assignee: **Lantek Electronics, Inc.**, Taipei Hsien, Taiwan

[\*\*] Term: **14 Years**

[21] Appl. No.: **29/086,875**

[22] Filed: **Apr. 22, 1998**

[51] **LOC (6) Cl.** ..... **13-03**

[52] **U.S. Cl.** ..... **D13/151; D13/146**

[58] **Field of Search** ..... **D13/146, 147, D13/151; D14/217; 333/100; 439/578**

[56] **References Cited**

**U.S. PATENT DOCUMENTS**

D. 396,691	8/1998	Shen	.....	D13/147
D. 399,846	10/1998	Beggs	.....	D13/147 X
3,676,744	7/1972	Pennypacker	.....	174/59 X
4,141,615	2/1979	Takeuchi et al.	.....	174/65 R X

**OTHER PUBLICATIONS**

Splitters on p. 2 of CWC Electronics Catalog No. 5, Jun. 1996.

Splitters and taps on pp. 74 and 75 of MCM Electronics Catalog 27, 1991.

*Primary Examiner*—Joel Sincavage  
*Attorney, Agent, or Firm*—Bacon & Thomas

[57] **CLAIM**

The ornamental design for an adapter, as shown and described.

**DESCRIPTION**

FIG. 1 is a perspective view of adapter showing my new design;

FIG. 2 is a front elevational view thereof;

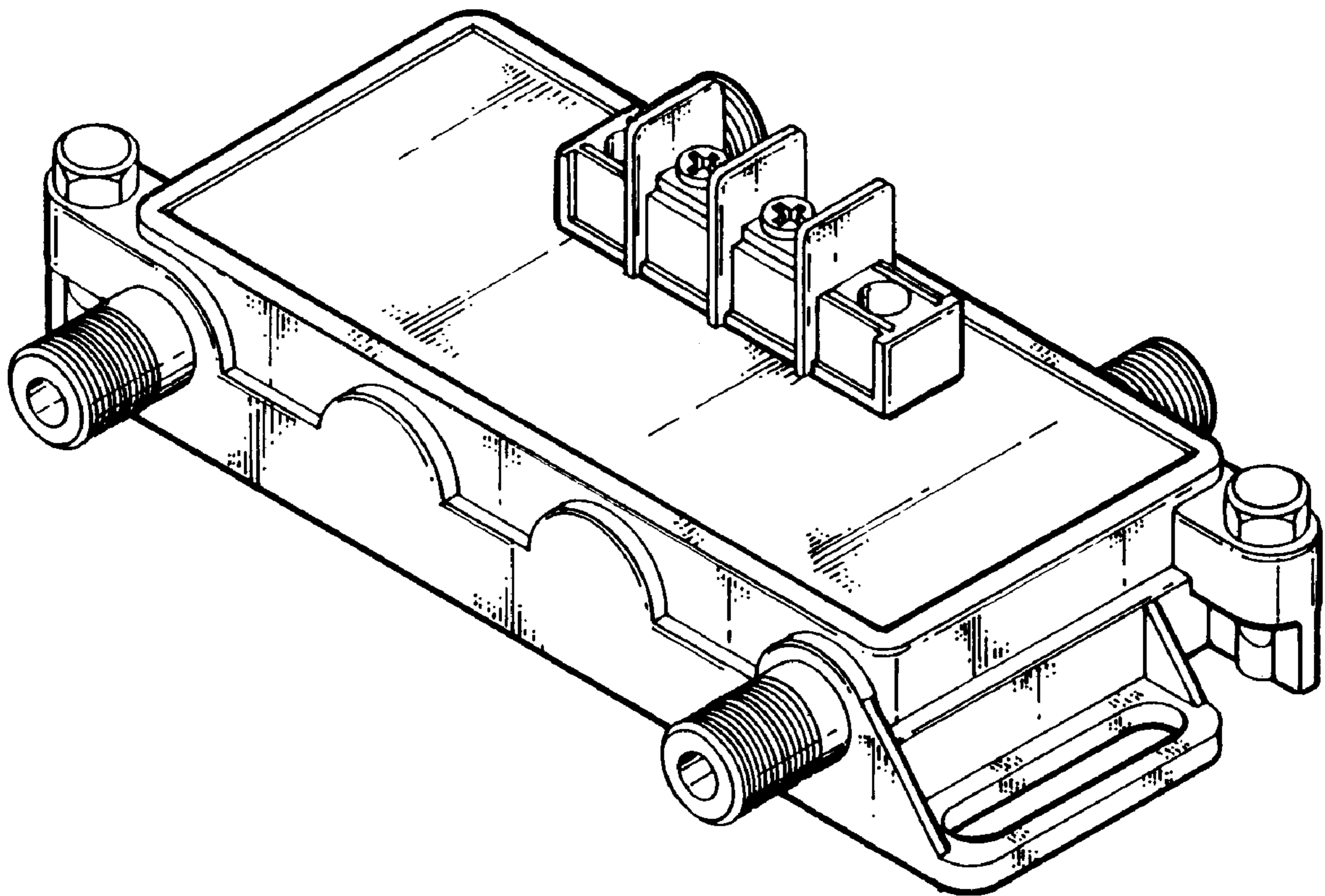
FIG. 3 is a rear elevational view thereof;

FIG. 4 is a left side elevational view thereof; (the right side elevational view is the same as the left side elevational view);

FIG. 5 is a top plan view thereof; and,

FIG. 6 is a bottom plan view thereof.

**1 Claim, 4 Drawing Sheets**



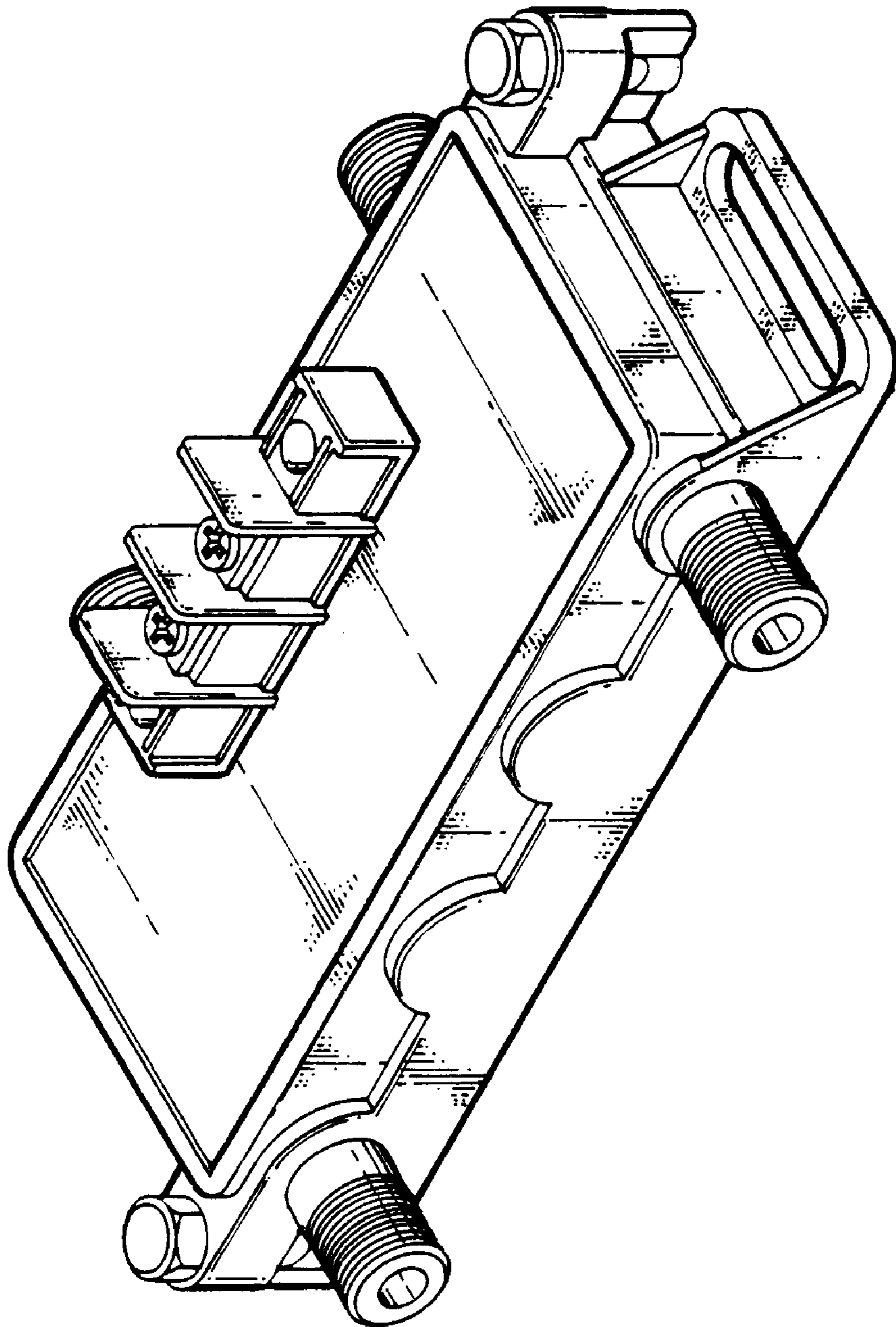


FIG 1

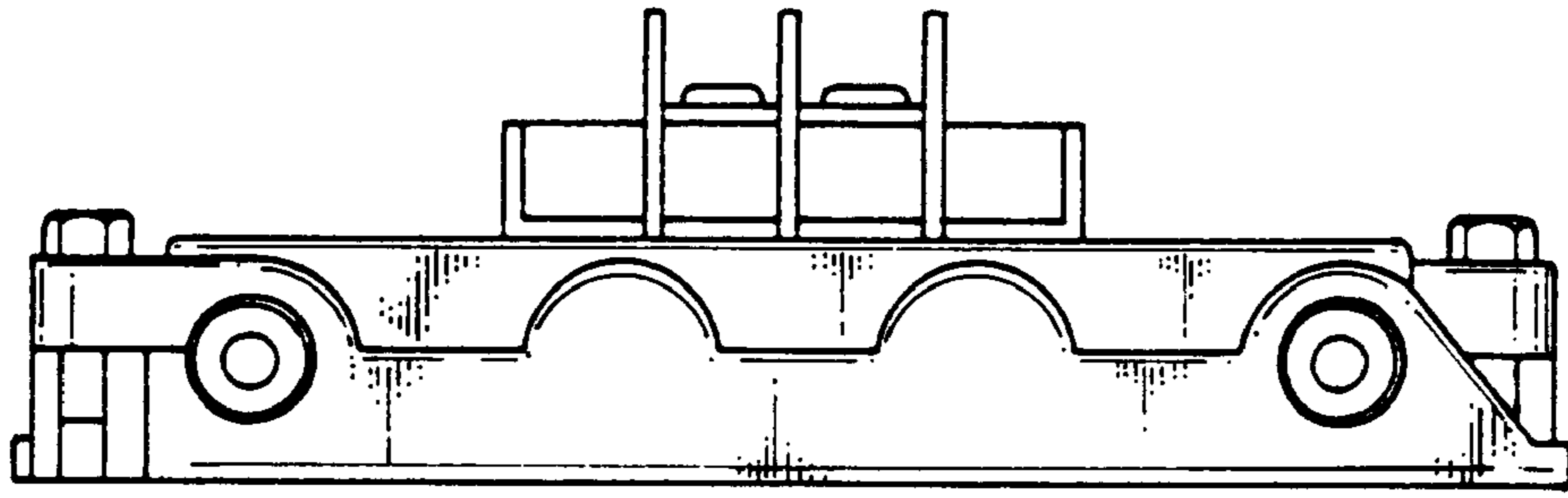


FIG 2

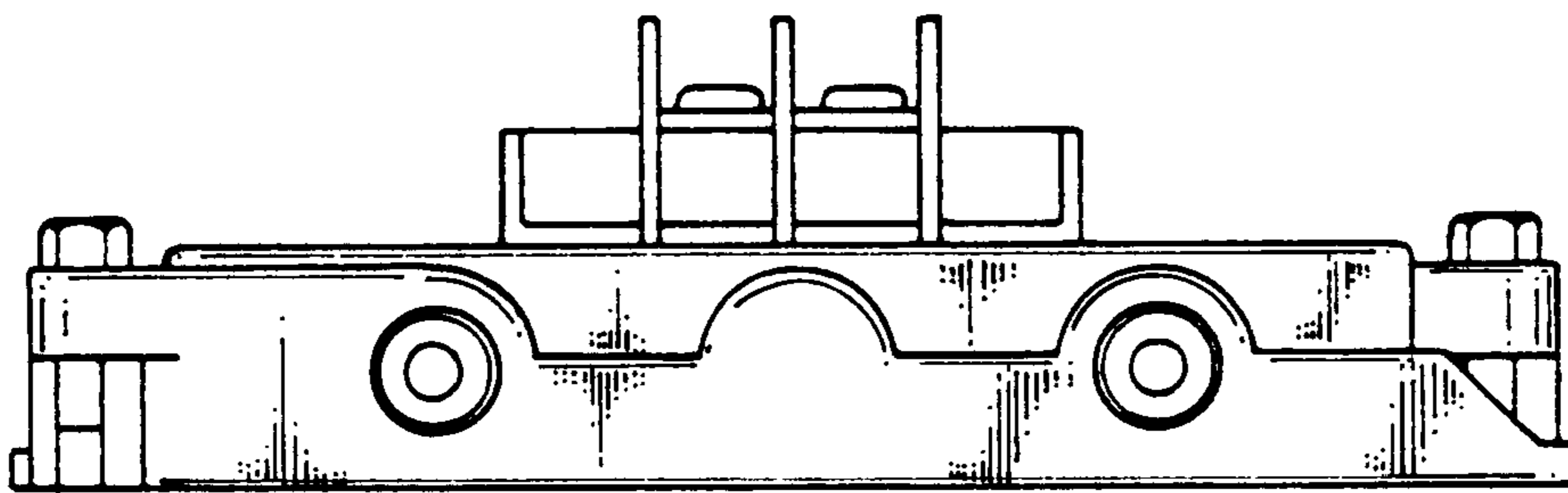


FIG 3

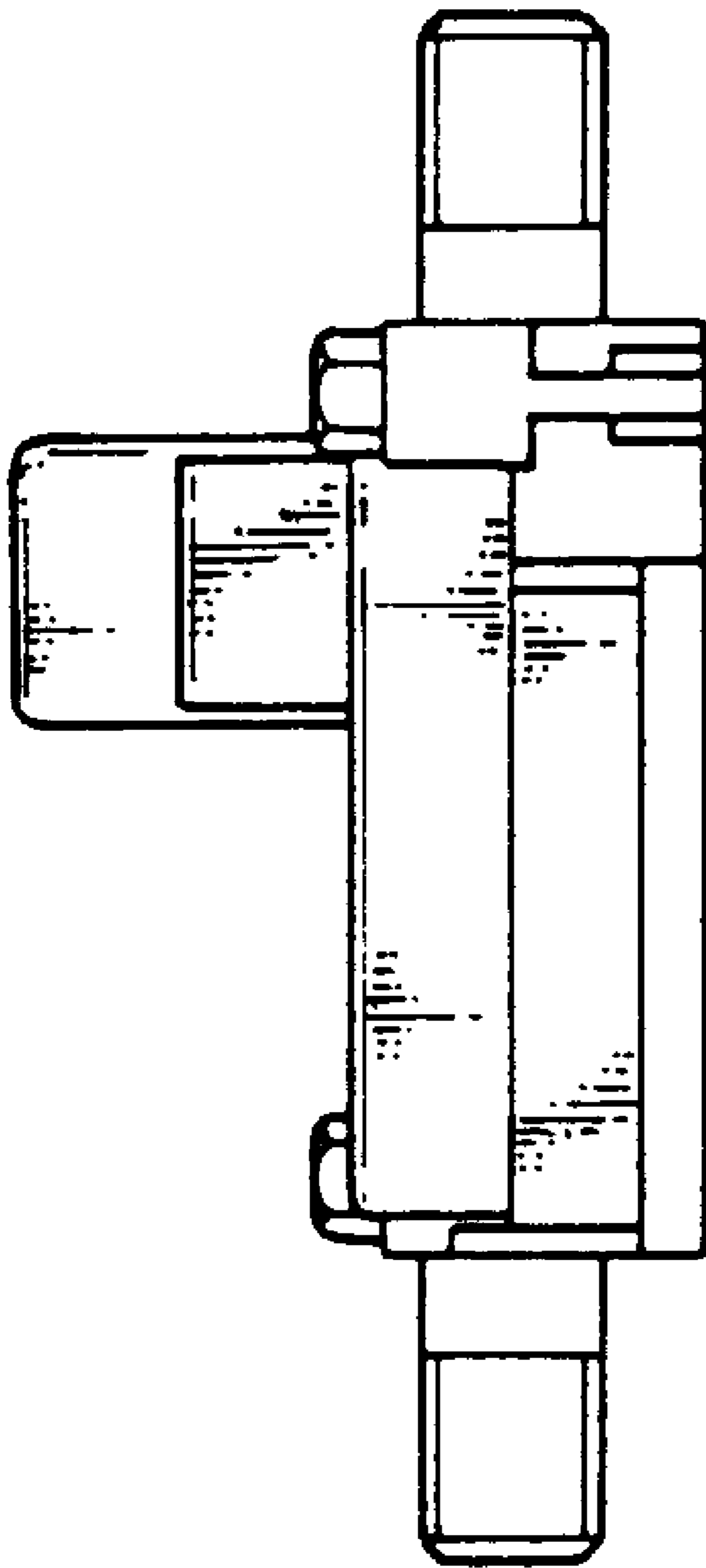


FIG 4

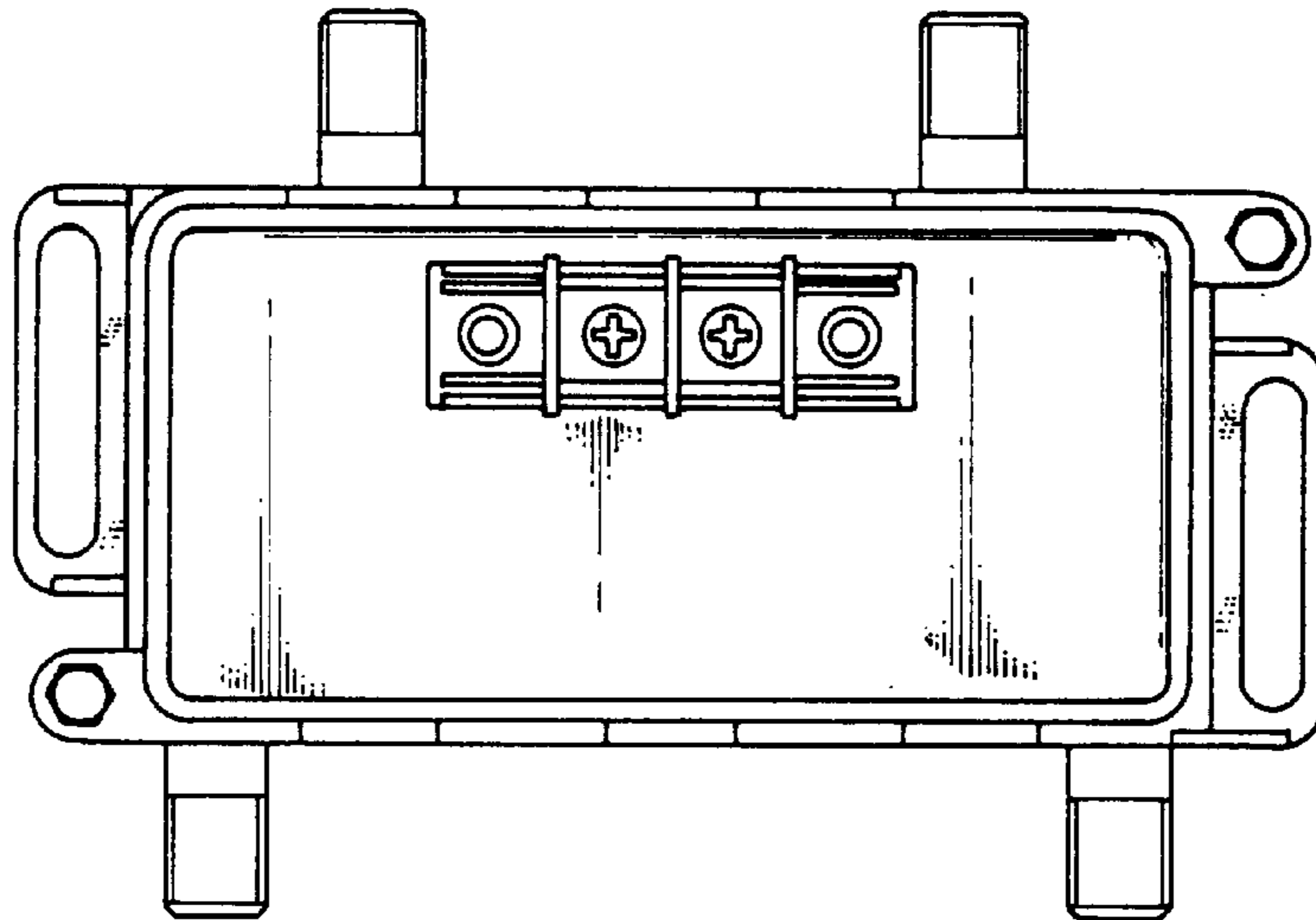


FIG 5

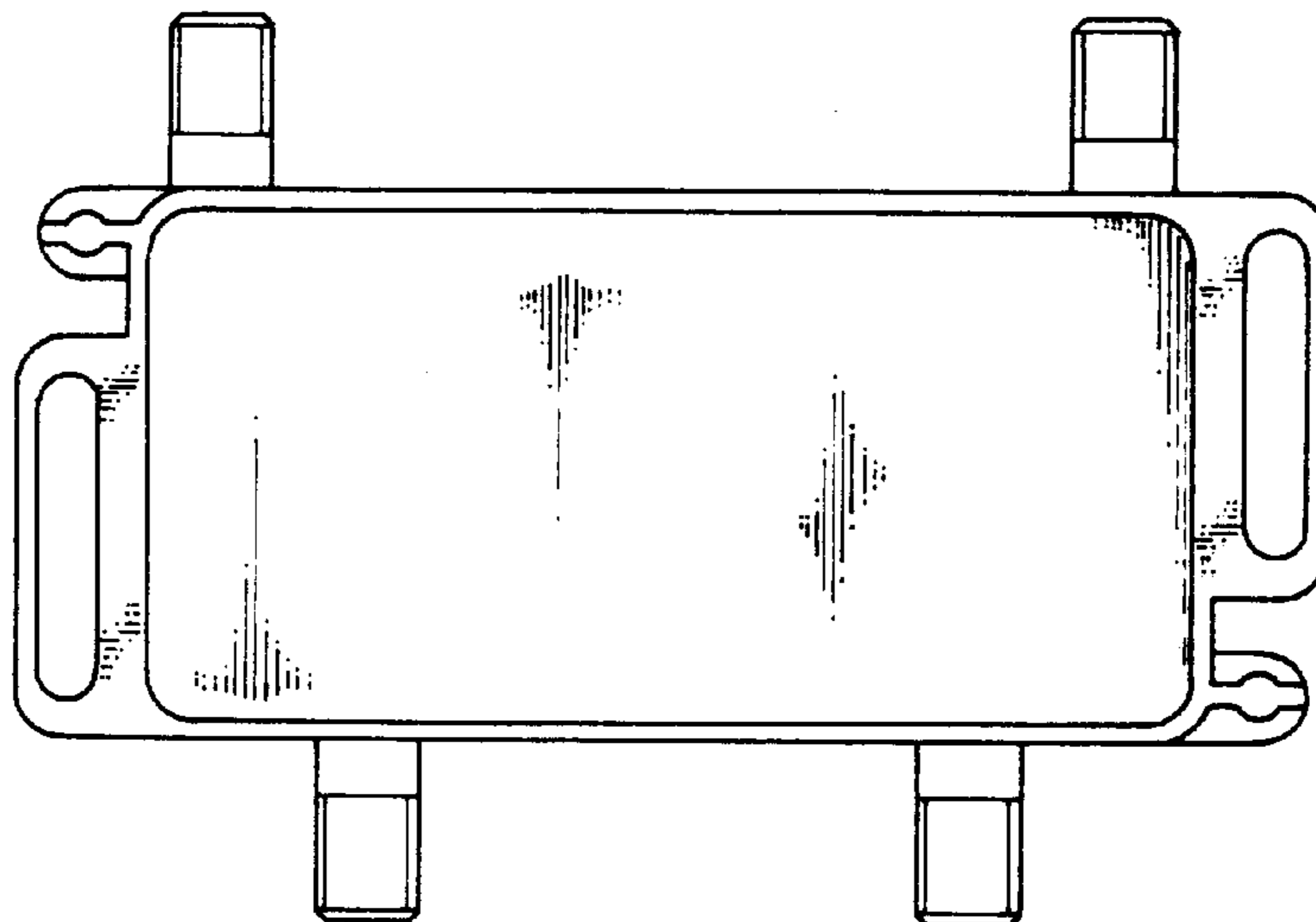


FIG 6