



US00D409983S

**United States Patent** [19]  
**Wu**

[11] **Patent Number: Des. 409,983**

[45] **Date of Patent: \*\* May 18, 1999**

[54] **STACKED ELECTRICAL CONNECTOR ASSEMBLY**

[75] Inventor: **Kun-Tsan Wu, Tu-Chen, Taiwan**

[73] Assignee: **Hon Hai Precision Ind. Co., Ltd., Taipei Hsien, Taiwan**

[\*\*] Term: **14 Years**

[21] Appl. No.: **29/090,998**

[22] Filed: **Jul. 21, 1998**

[30] **Foreign Application Priority Data**

Mar. 21, 1998 [TW] Taiwan ..... 87302003

[51] **LOC (6) Cl. .... 13-03**

[52] **U.S. Cl. .... D13/147**

[58] **Field of Search .... D13/146, 147; 439/79, 607, 609, 610, 638, 540.1, 541.5**

[56] **References Cited**

**U.S. PATENT DOCUMENTS**

D. 378,510 3/1997 Tan et al. .... D13/147

5,637,015 6/1997 Tan et al. .... 439/607  
5,676,569 10/1997 Davis ..... 439/609 X  
5,685,739 11/1997 Davis et al. .... 439/607  
5,738,544 4/1998 Davis ..... 439/607  
5,755,595 5/1998 Davis et al. .... 439/607  
5,797,770 8/1998 Davis et al. .... 439/607

*Primary Examiner*—Joel Sincavage

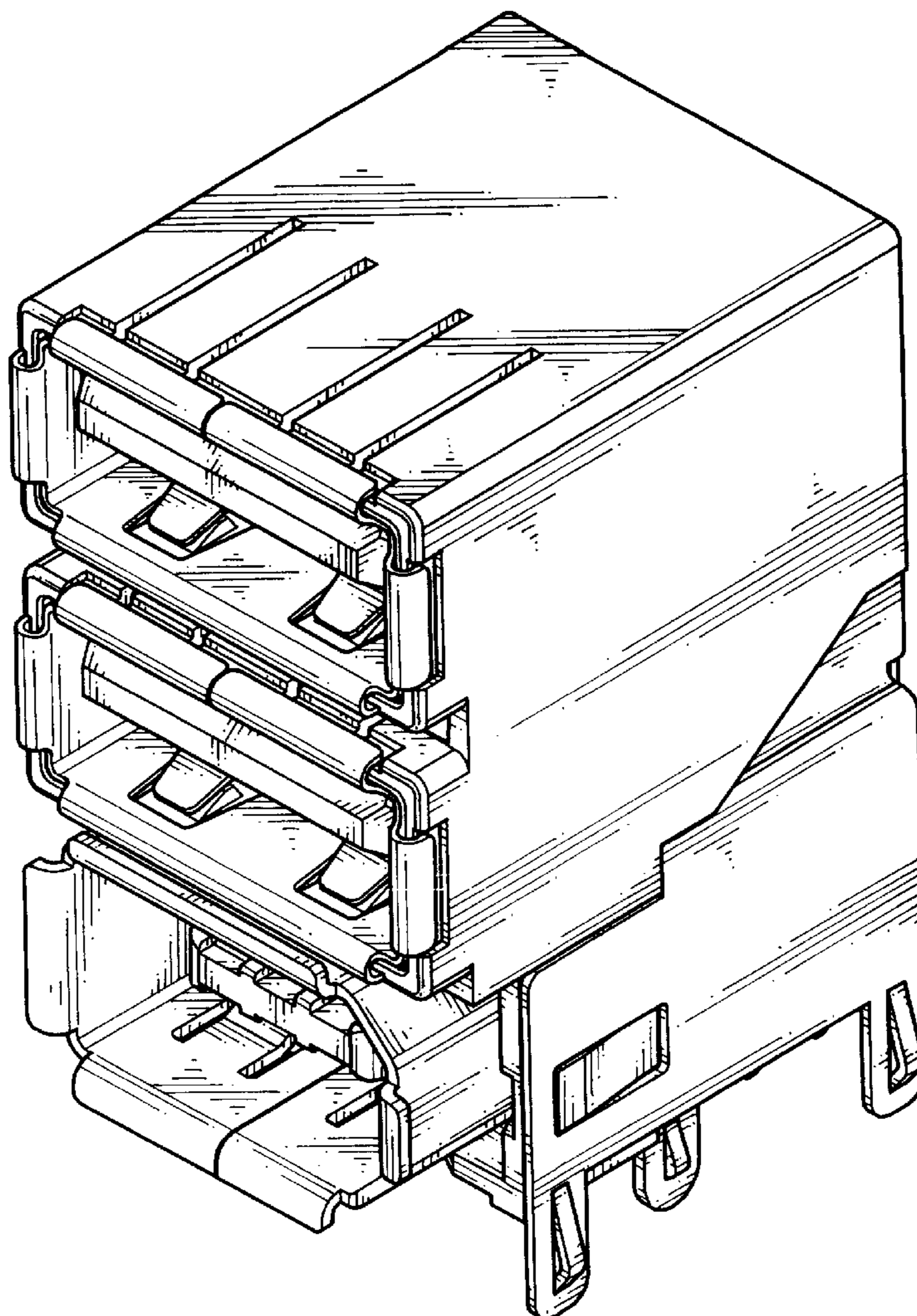
[57] **CLAIM**

The ornamental design for a stacked electrical connector assembly, as shown.

**DESCRIPTION**

FIG. 1 is a front-right-top perspective view of a stacked electrical connector assembly showing my design; FIG. 2 is a front elevational view thereof; FIG. 3 is a rear elevational view thereof; FIG. 4 is a left side elevational view thereof; FIG. 5 is a right side elevational view thereof; FIG. 6 is a top plan view thereof; and, FIG. 7 is a bottom plan view thereof.

**1 Claim, 7 Drawing Sheets**



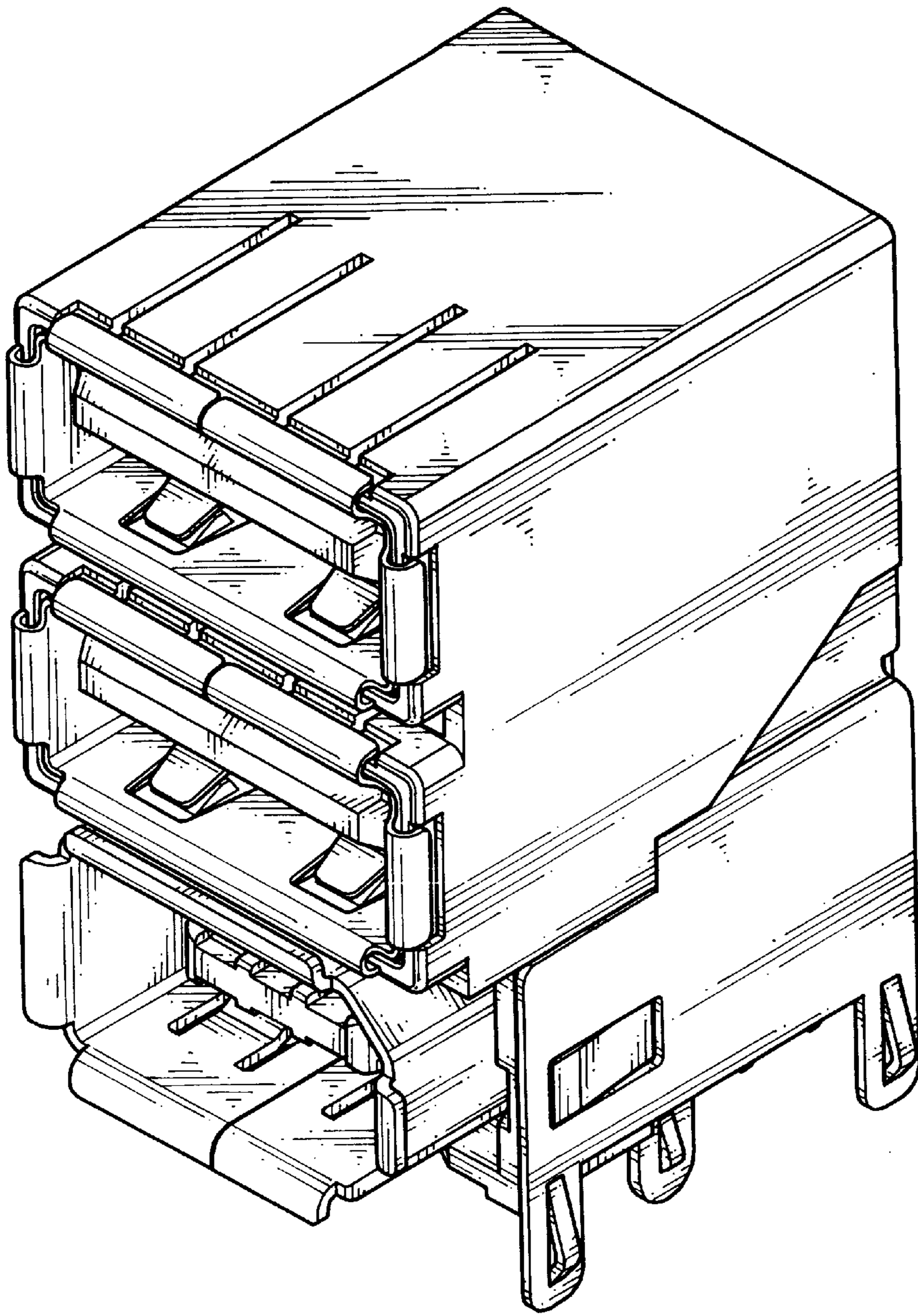


FIG. 1

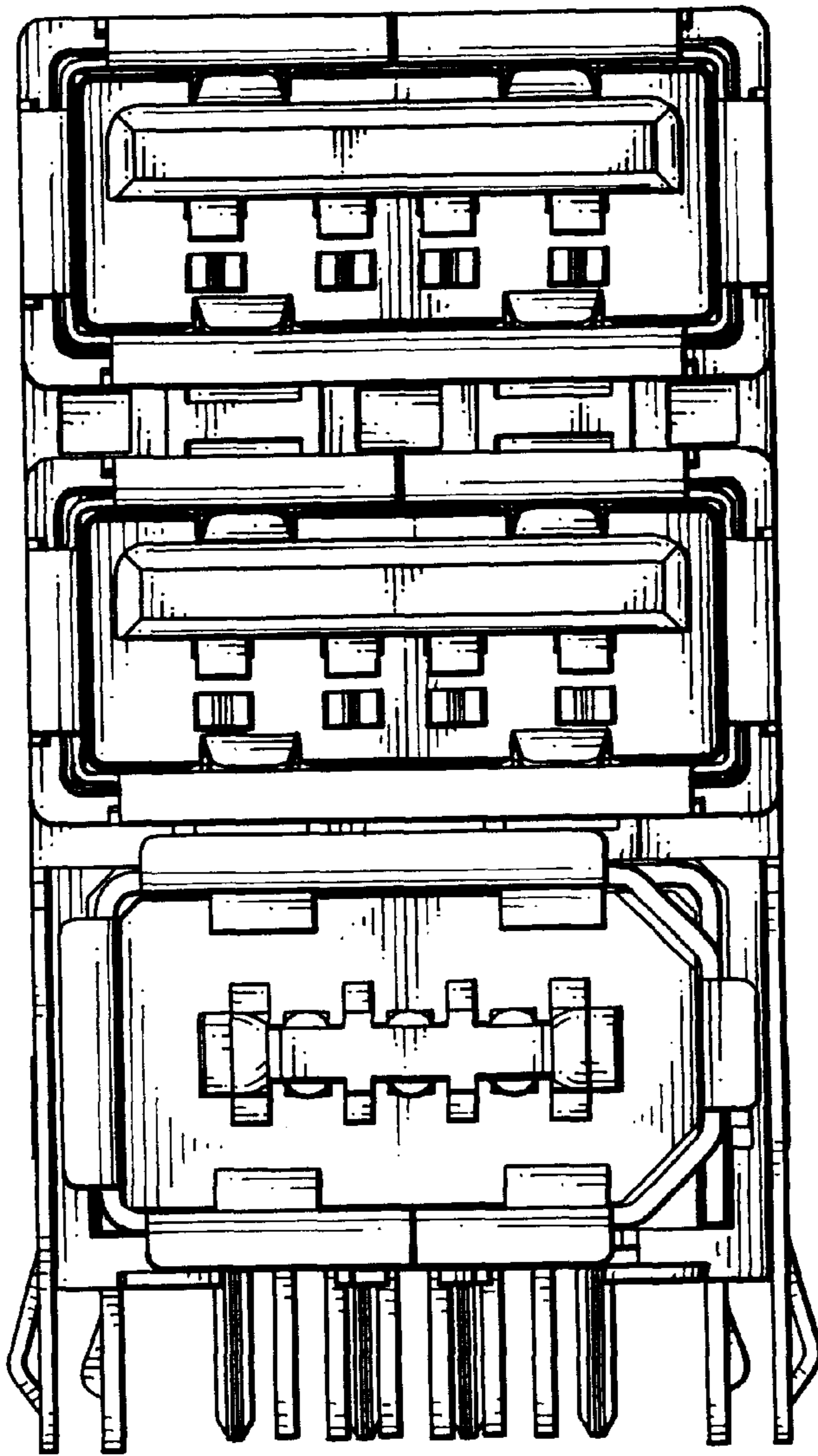


FIG. 2

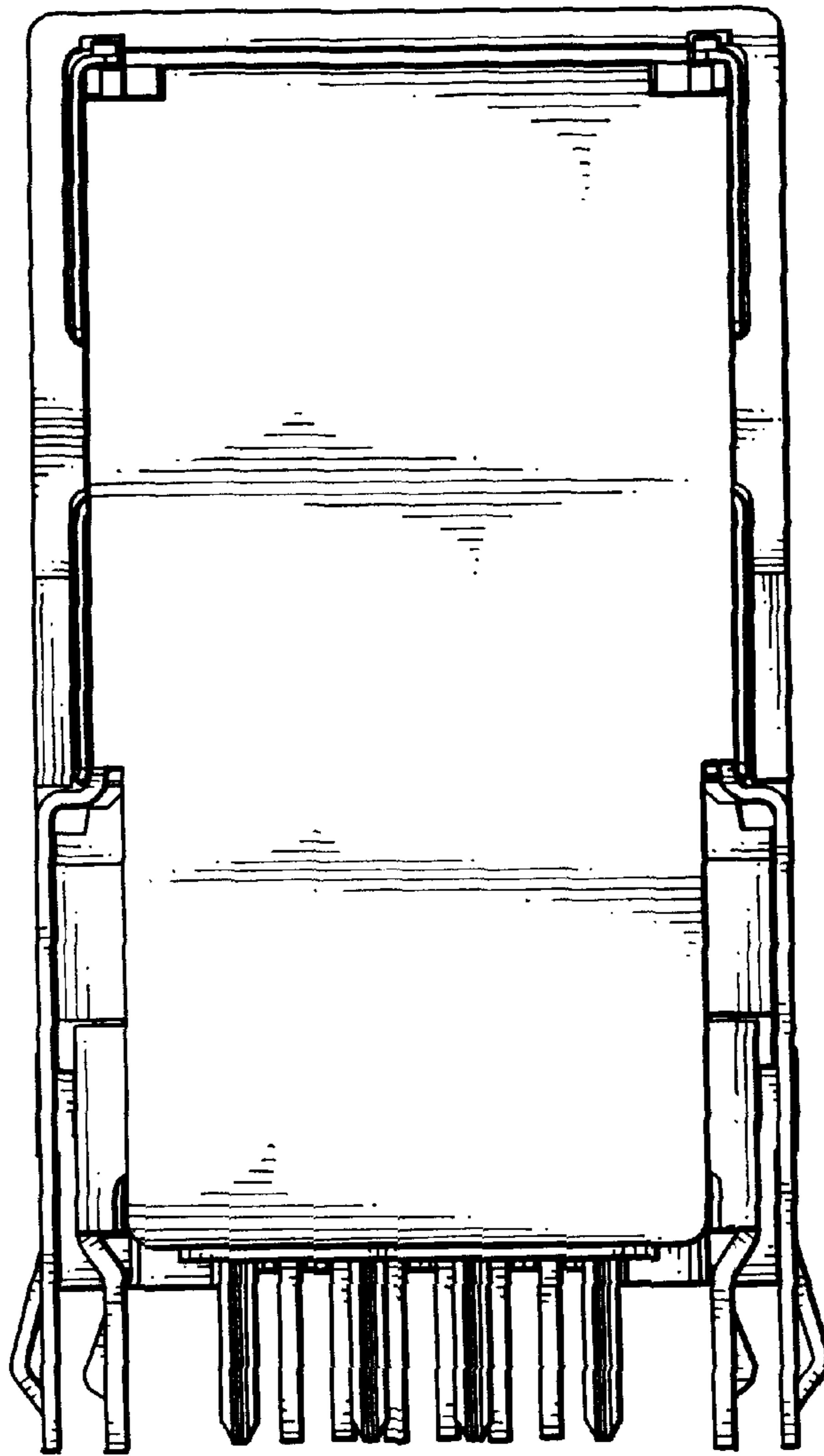


FIG. 3

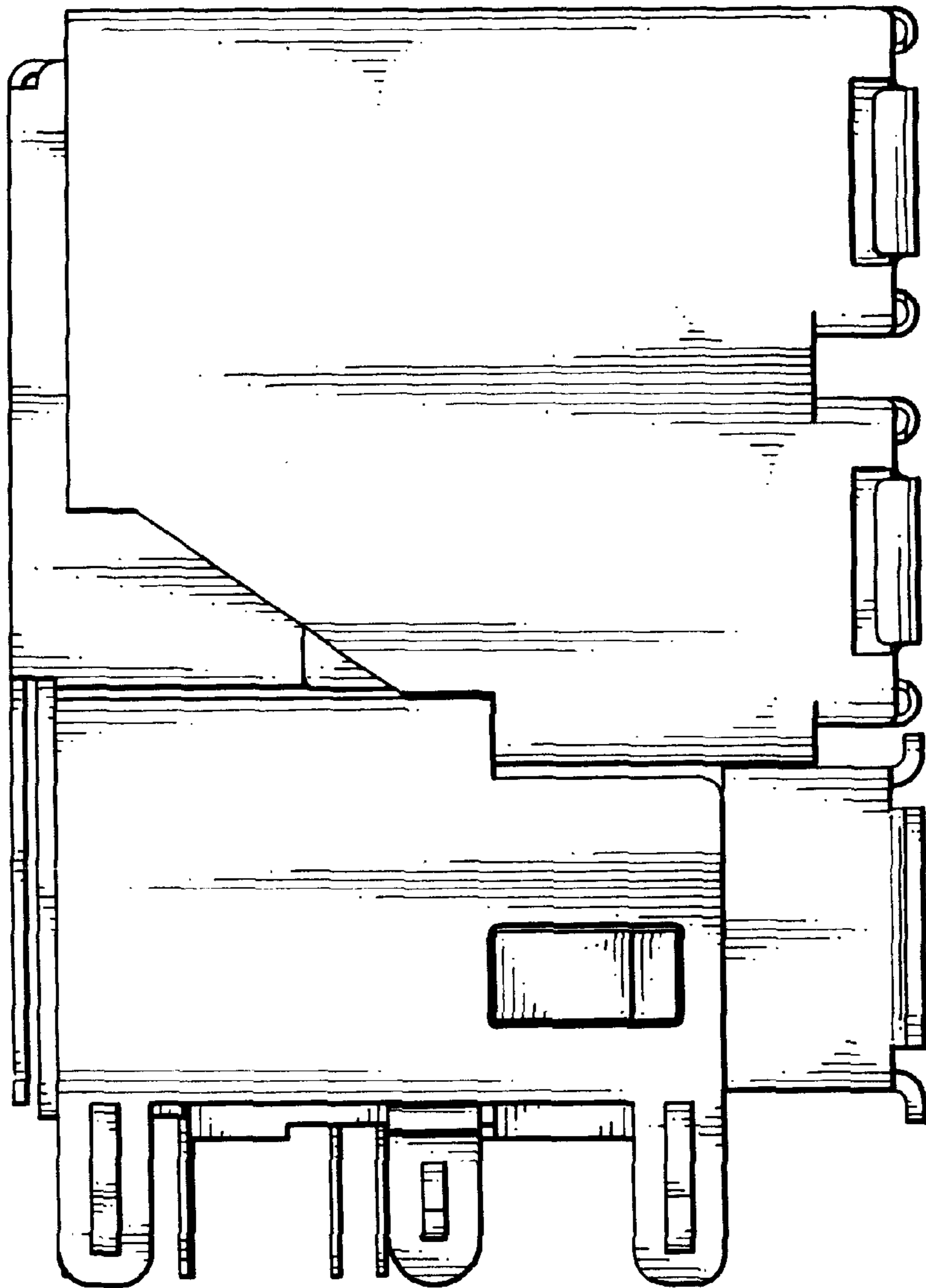


FIG. 4

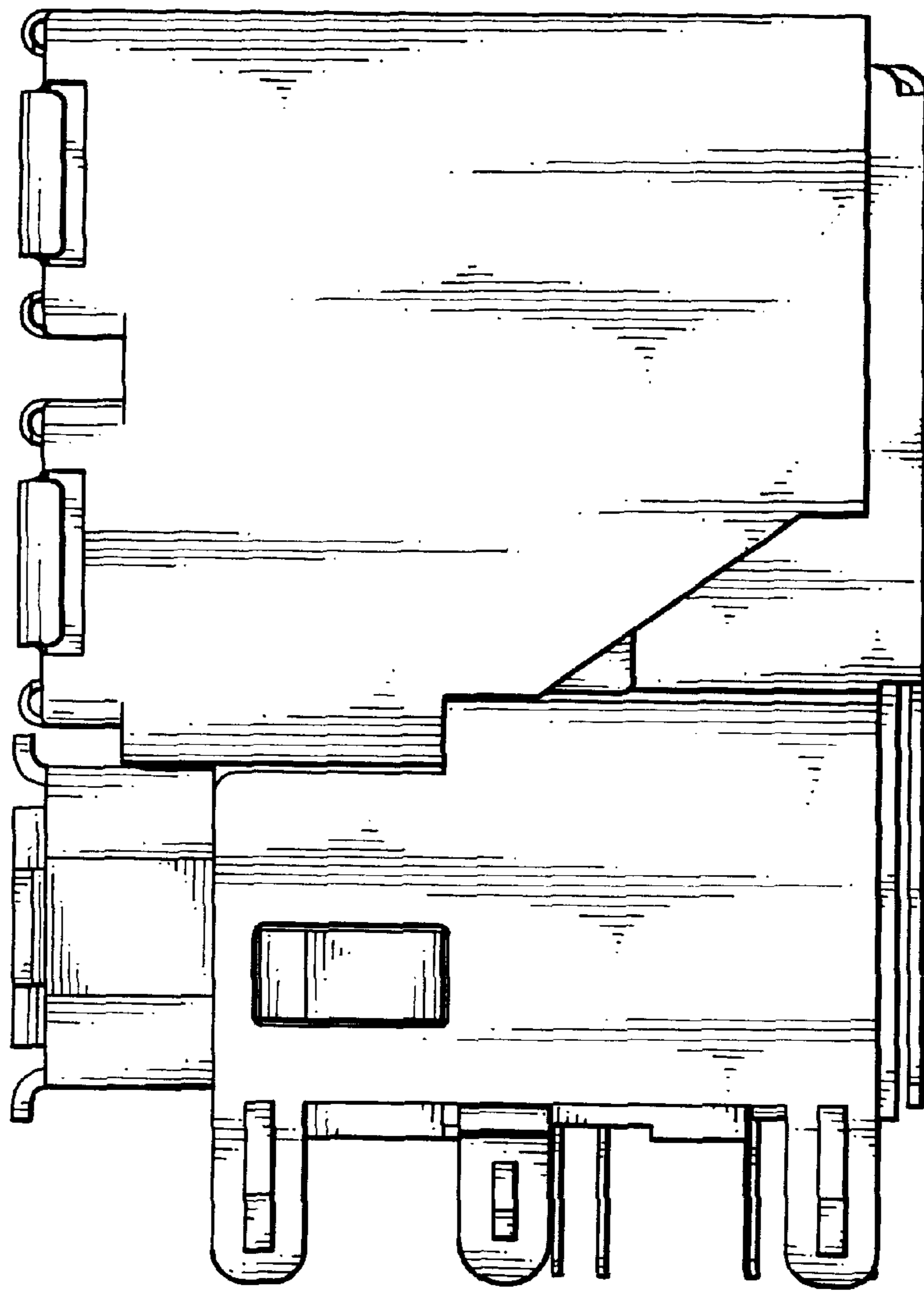


FIG. 5

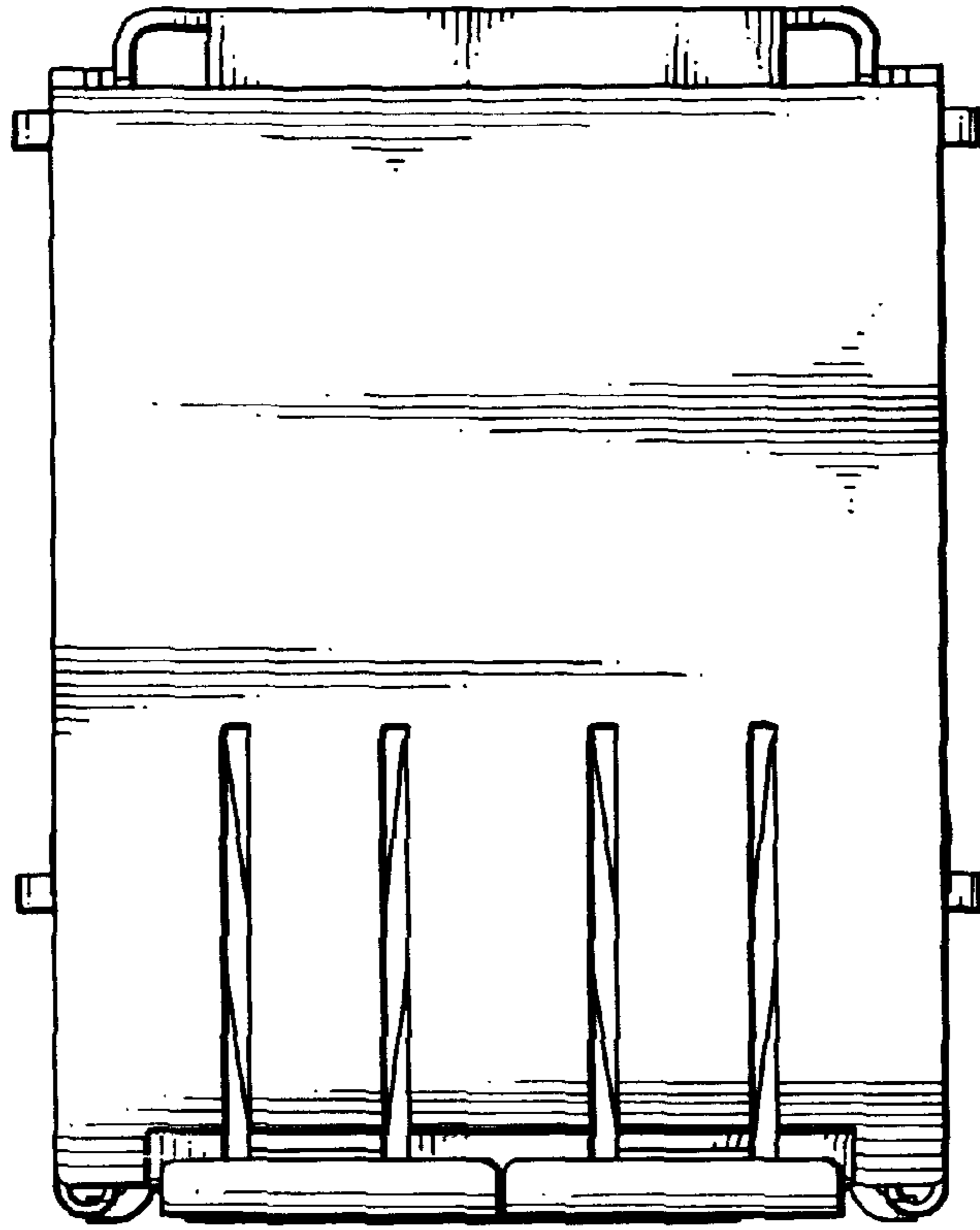


FIG. 6

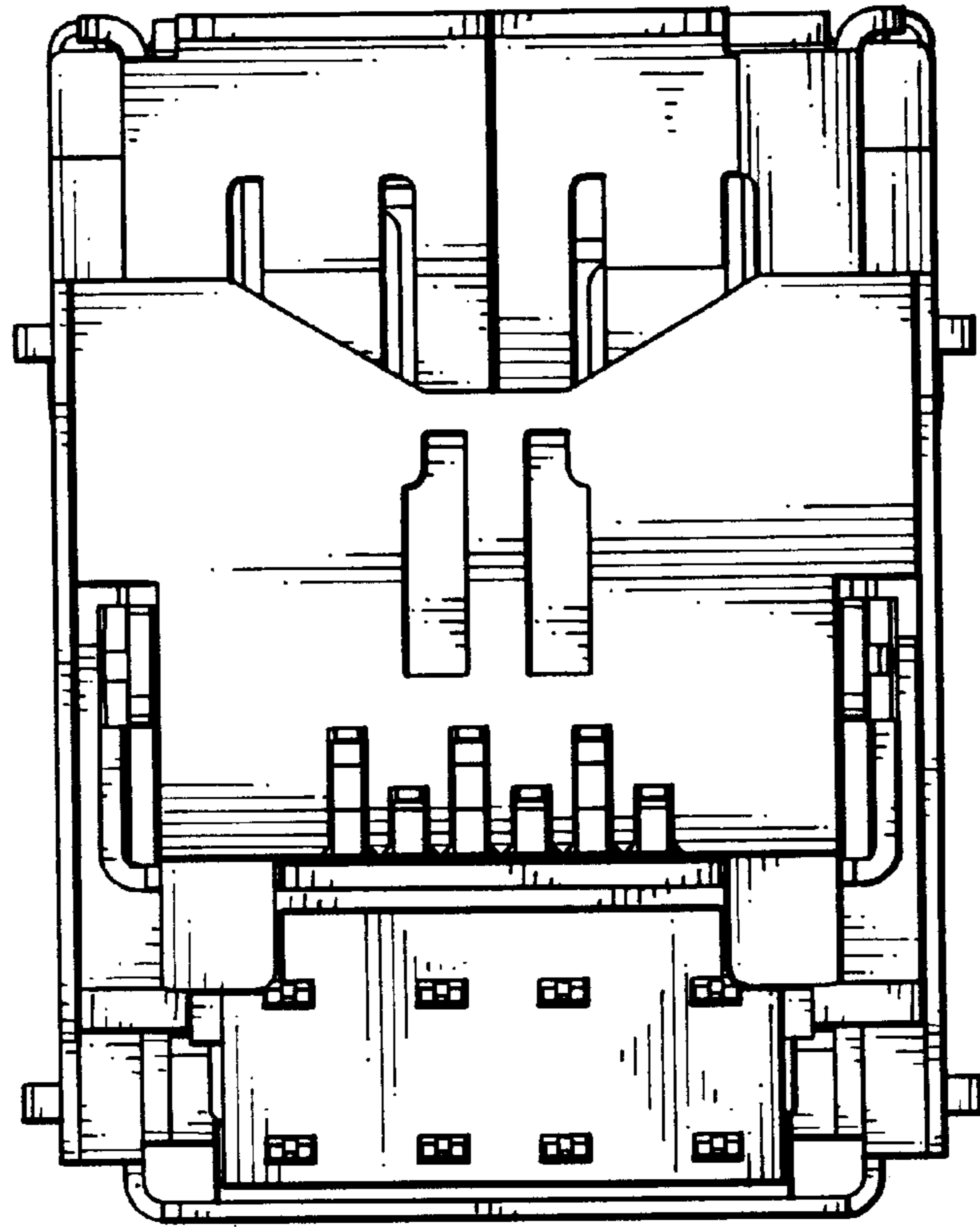


FIG. 7