

US00D409982S

# United States Patent [19]

Sato et al.

[11] Patent Number: **Des. 409,982**

[45] Date of Patent: **\*\* May 18, 1999**

[54] **ELECTRIC CABLE CONNECTOR**

[75] Inventors: **Kiyoshi Sato; Sadatoshi Furusawa,**  
both of Tokyo, Japan

[73] Assignee: **Honda Tsushin Kogyo Co., Ltd.,**  
Tokyo, Japan

[\*\*] Term: **14 Years**

[21] Appl. No.: **29/086,783**

[22] Filed: **Apr. 20, 1998**

[30] **Foreign Application Priority Data**

Mar. 6, 1998 [JP] Japan ..... 10-6103

[51] **LOC (6) Cl.** ..... **13-03**

[52] **U.S. Cl.** ..... **D13/147**

[58] **Field of Search** ..... D13/146, 147;  
439/108, 610, 358, 637, 607, 609

[56] **References Cited**

**U.S. PATENT DOCUMENTS**

D. 176,581 12/1956 Suzuki ..... D13/147

D. 351,135	10/1994	Kurata .....	D13/147
D. 379,968	6/1997	Tan et al. ....	D13/147
4,822,303	4/1989	Nakamura et al. ....	439/607
4,838,810	6/1989	Yoshimura et al. ....	439/358
4,916,804	4/1990	Yoshimura et al. ....	439/610 X
5,059,140	10/1991	Philippson et al. ....	439/607
5,749,746	5/1998	Tan et al. ....	469/358 X

*Primary Examiner*—Joel Sincavage  
*Attorney, Agent, or Firm*—Nikaido, Marmelstein, Murray & Oram LLP

[57] **CLAIM**

The ornamental design for electric cable connector, as shown and described.

**DESCRIPTION**

FIG. 1 is a perspective view of the electric cable connector showing my new design;  
FIG. 2 is a front elevational view thereof;  
FIG. 3 is a rear elevational view thereof;  
FIG. 4 is a right side elevational view thereof;  
FIG. 5 is a top plan view thereof; and,  
FIG. 6 is a bottom plan view thereof.

**1 Claim, 2 Drawing Sheets**

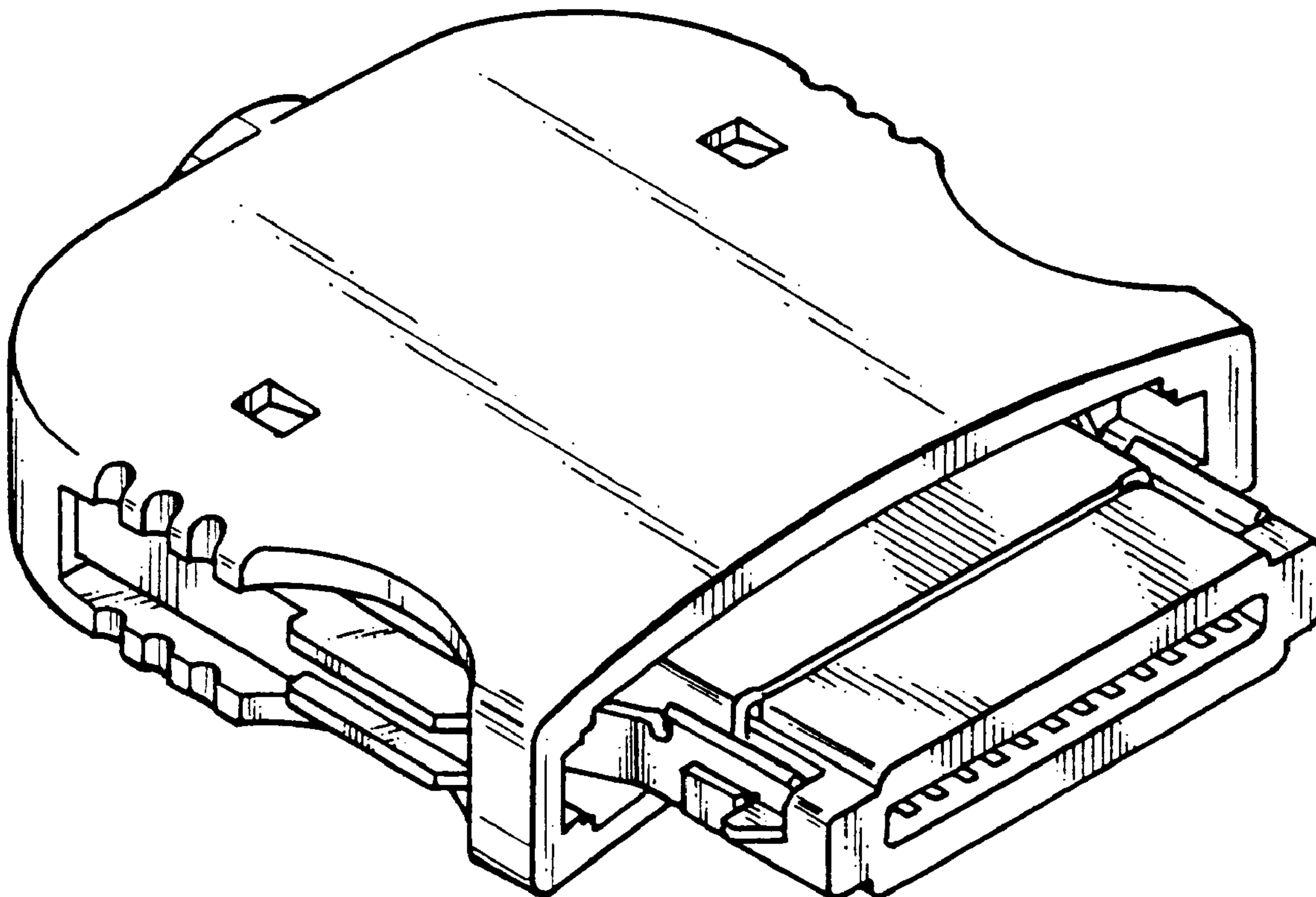


FIG. 1

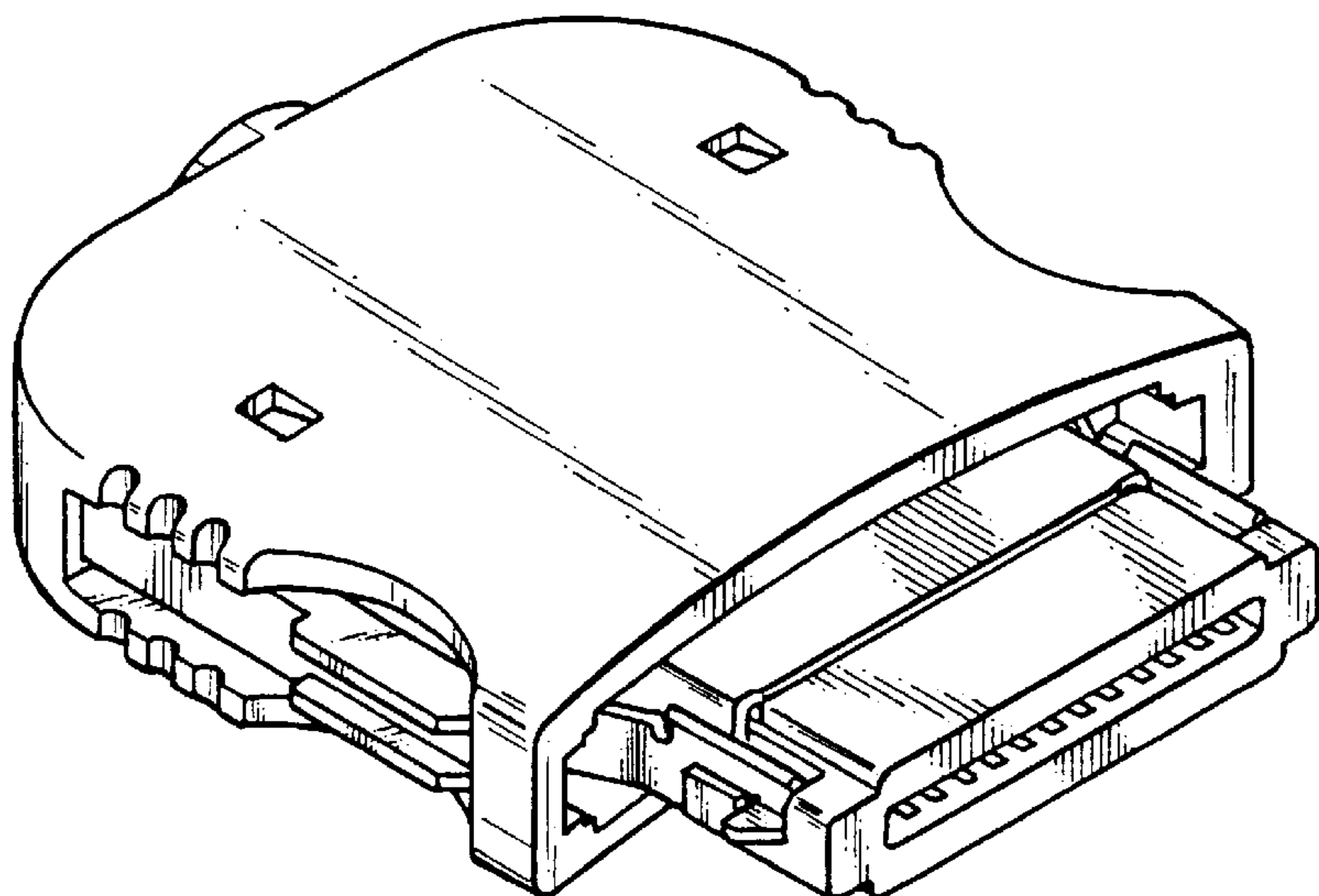


FIG. 2

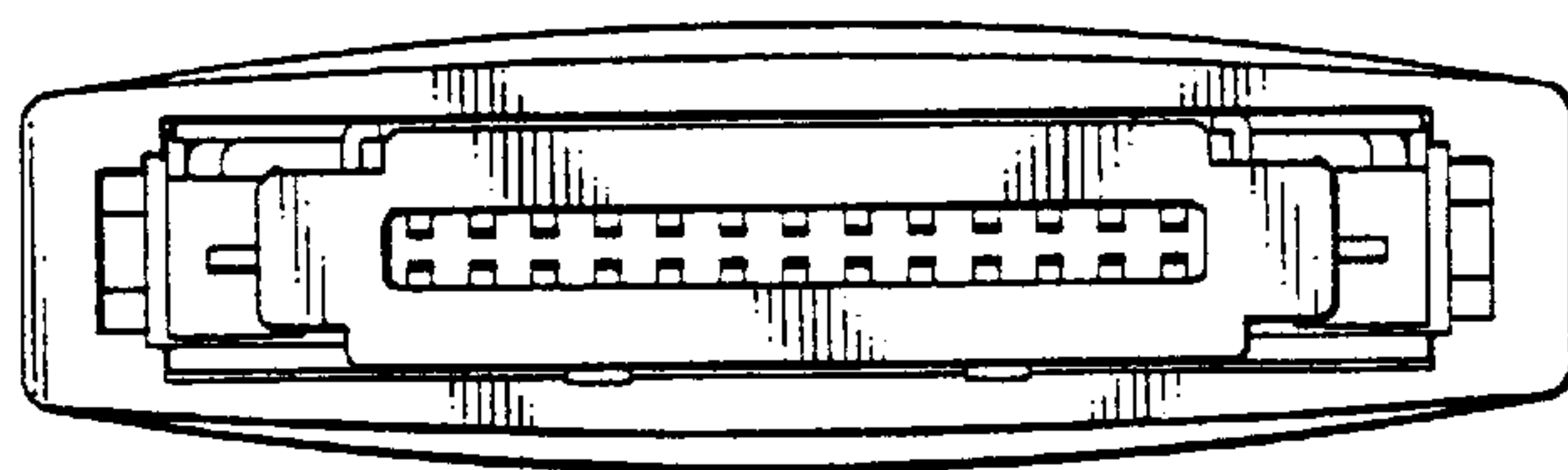


FIG. 3

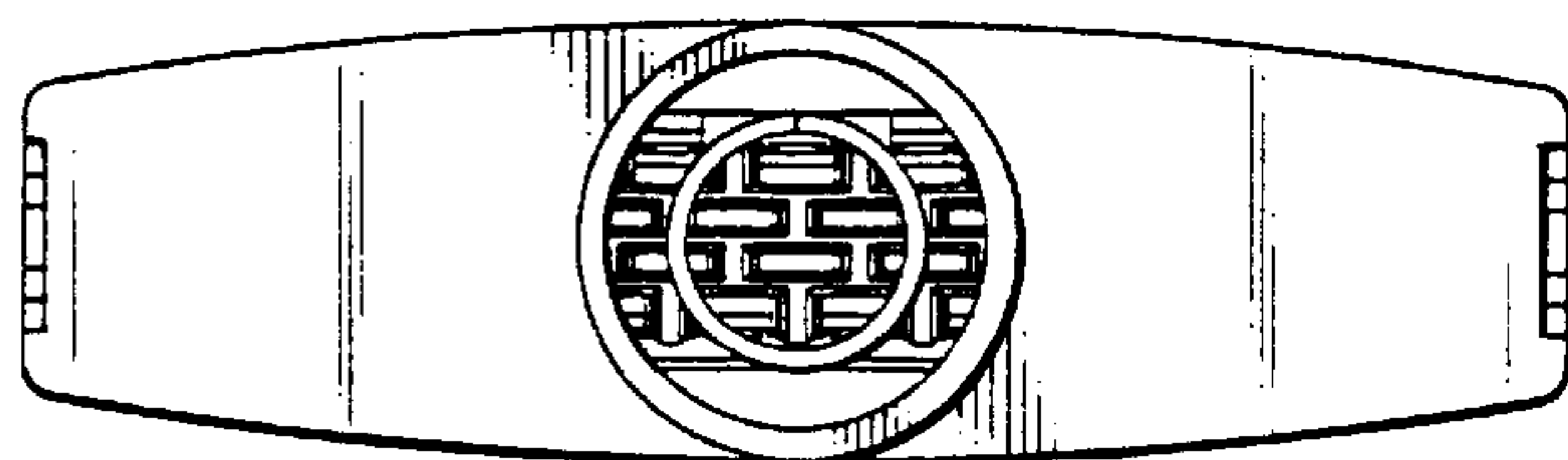


FIG. 4

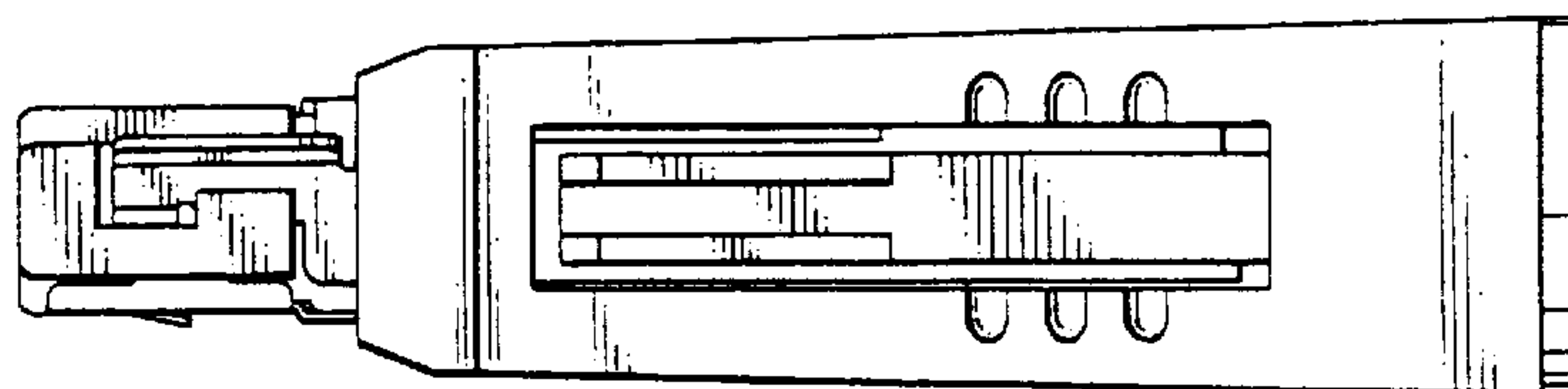


FIG. 5

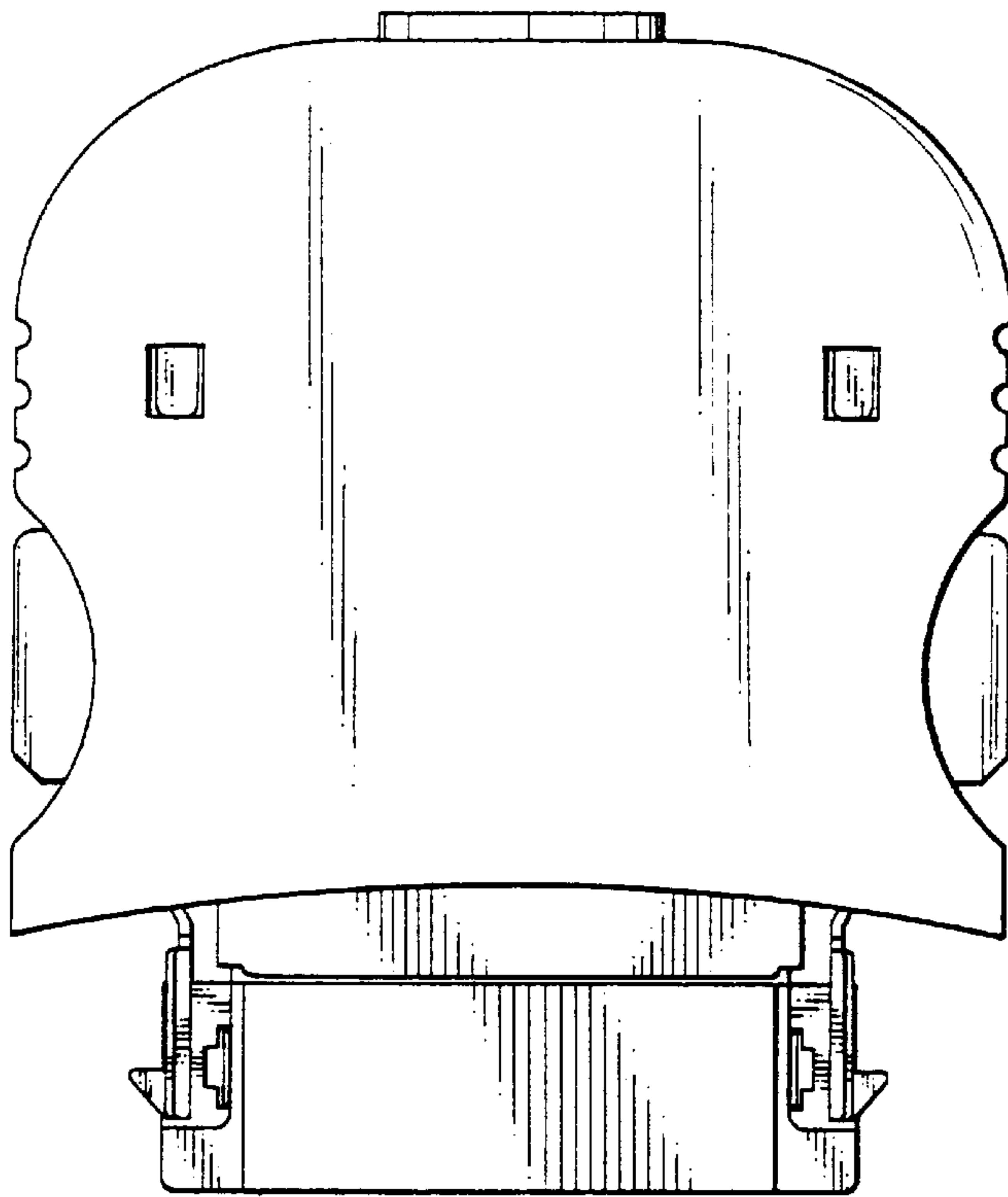


FIG. 6

