



US00D409981S

United States Patent [19]
Wu

[11] **Patent Number: Des. 409,981**

[45] **Date of Patent: ** May 18, 1999**

[54] **ELECTRICAL CONNECTOR**

[75] Inventor: **Kun-Tsan Wu, Tu-Chen, Taiwan**

[73] Assignee: **Hon Hai Precision Ind. Co., Ltd.,
Taipei Hsien, Taiwan**

[**] Term: **14 Years**

[21] Appl. No.: **29/075,146**

[22] Filed: **Aug. 12, 1997**

[30] **Foreign Application Priority Data**

Feb. 18, 1997 [TW] Taiwan 86301427

[51] **LOC (6) Cl.** **13-03**

[52] **U.S. Cl.** **D13/147**

[58] **Field of Search** D13/147; 439/680,
439/607, 78, 81, 83, 325, 326, 378, 630,
636, 571, 62, 79

[56] **References Cited**

U.S. PATENT DOCUMENTS

D. 332,599 1/1993 Kikuta et al. D13/147

5,052,936 10/1991 Biechler et al. 439/60
5,466,171 11/1995 Bixler et al. 439/378
5,697,799 12/1997 Consoli et al. 439/607 X
5,718,592 2/1998 Hosler, Sr. et al. 439/83 X

Primary Examiner—Joel Sincavage

[57] **CLAIM**

The ornamental design for an electrical connector, as shown.

DESCRIPTION

FIG. 1 is a perspective view of an electrical connector showing my new design;

FIG. 2 is a front elevational view thereof;

FIG. 3 is a rear elevational view thereof;

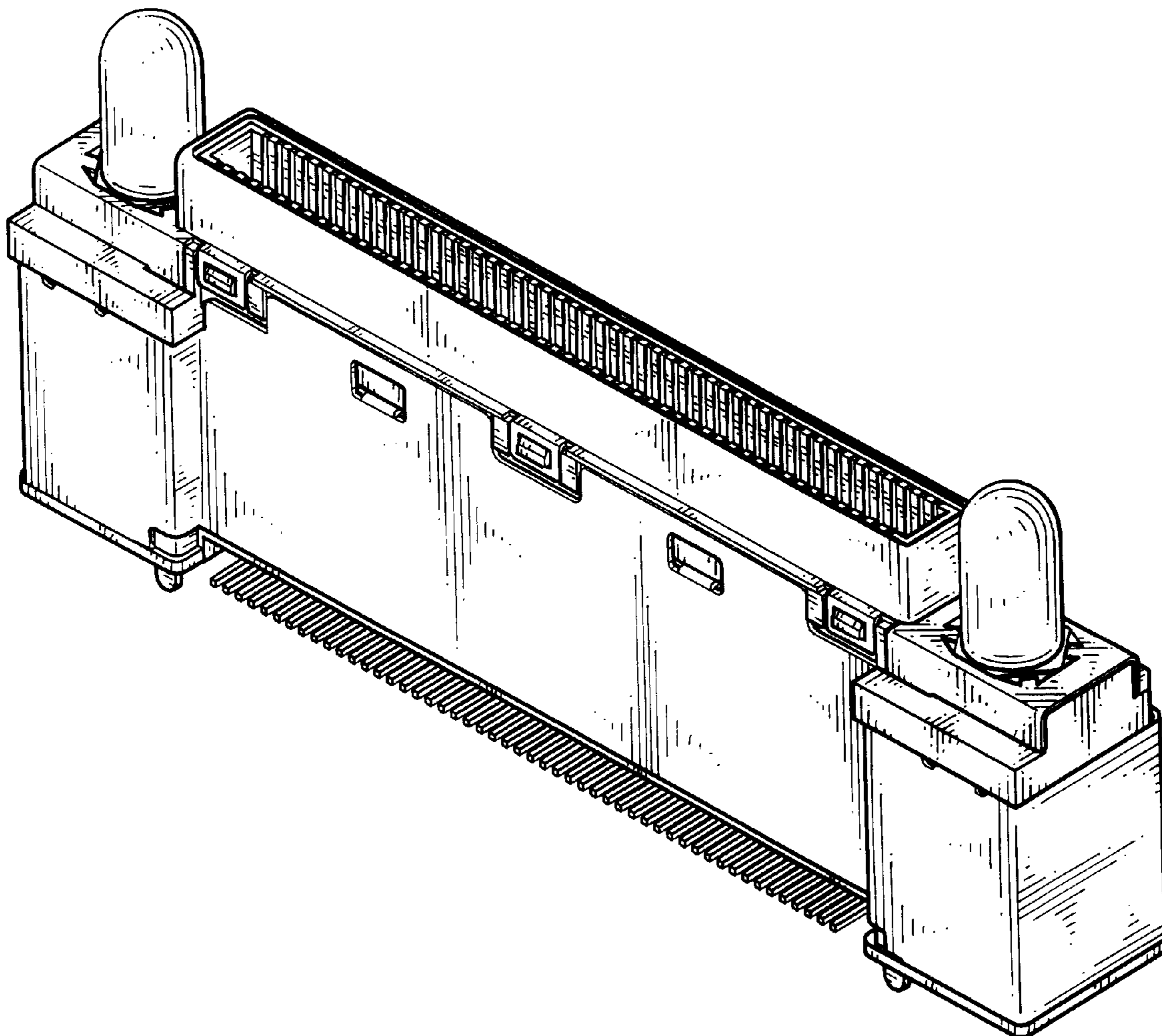
FIG. 4 is a left side elevational view thereof;

FIG. 5 is a right side elevational view thereof;

FIG. 6 is a top plan view thereof; and,

FIG. 7 is a bottom plan view thereof.

1 Claim, 7 Drawing Sheets



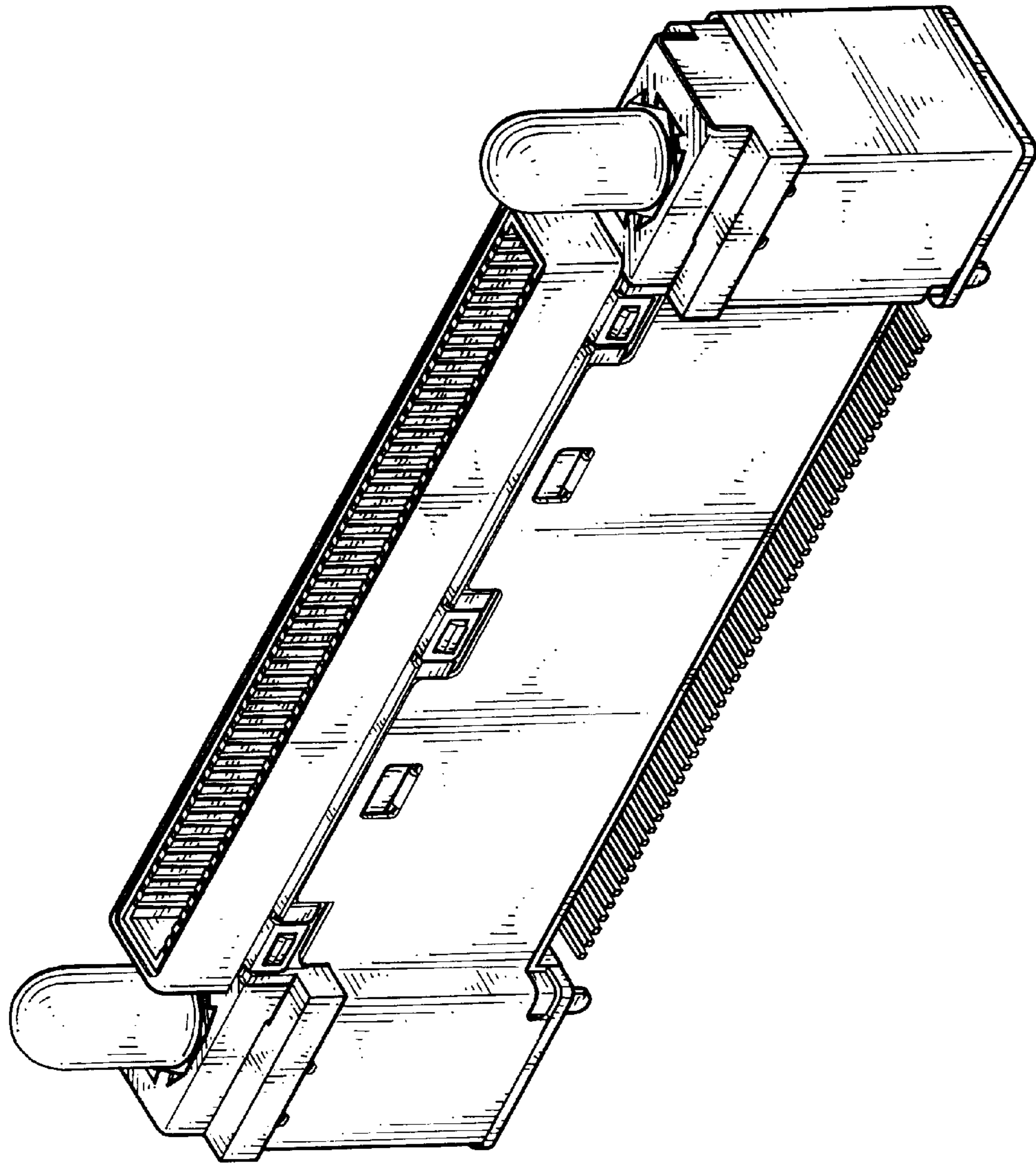


FIG.1

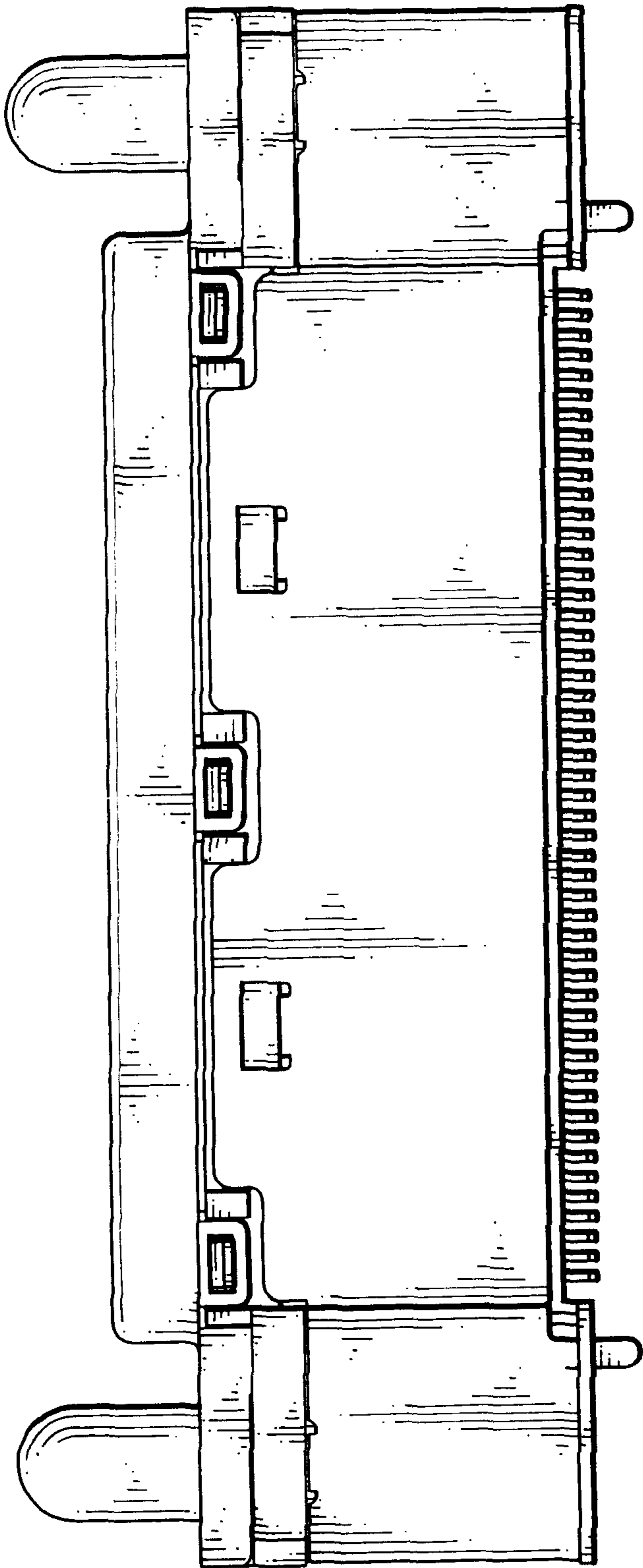


FIG. 2

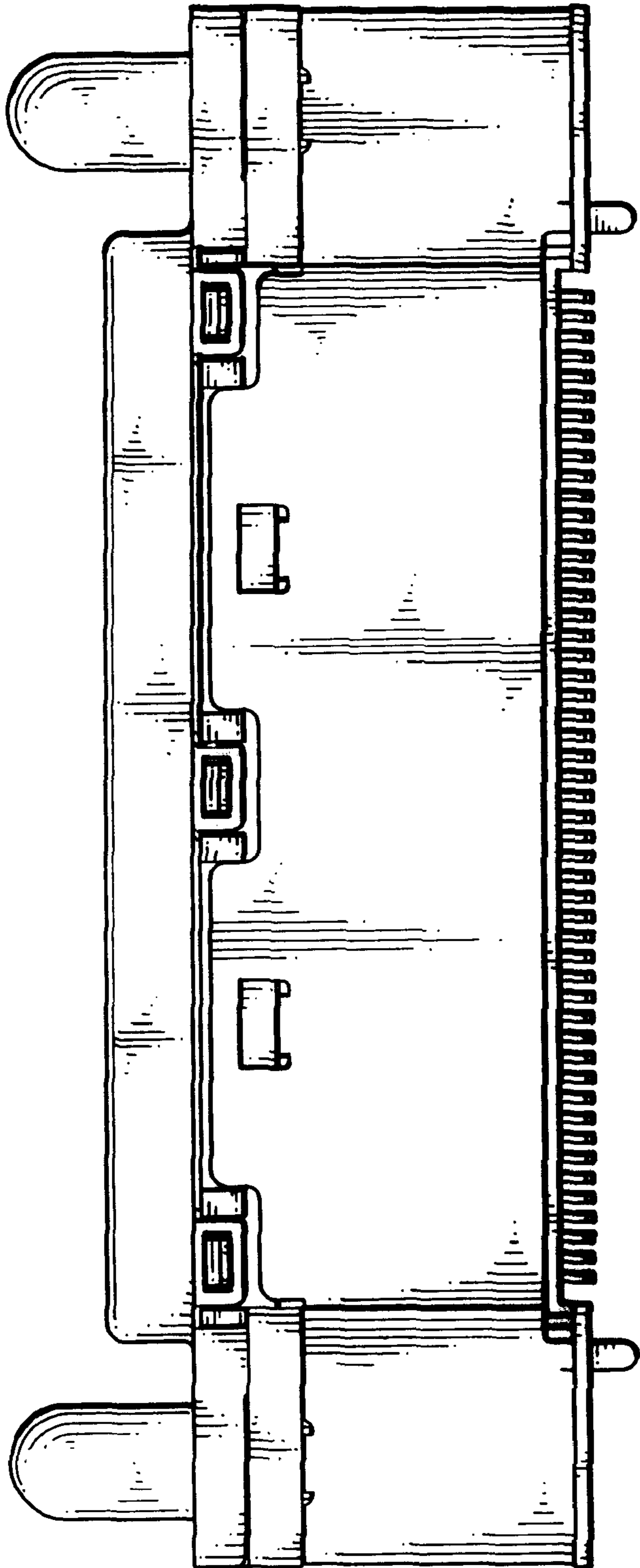


FIG. 3

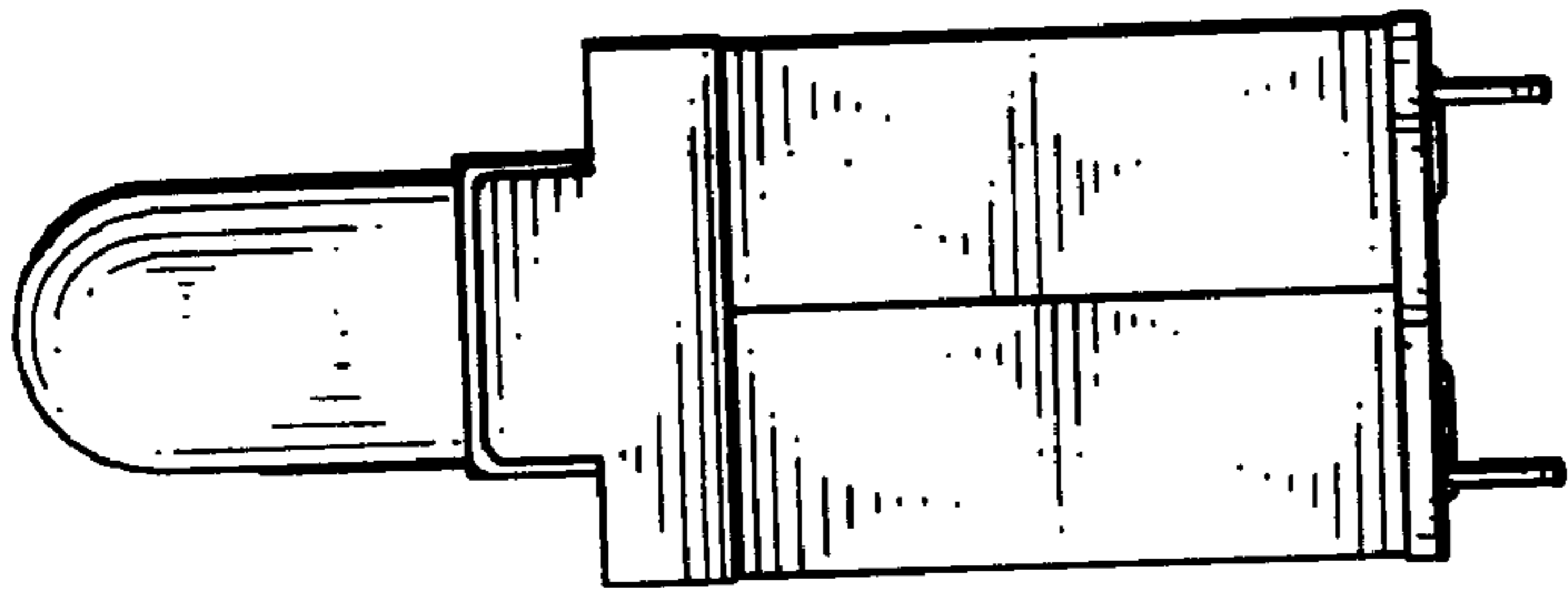


FIG. 4

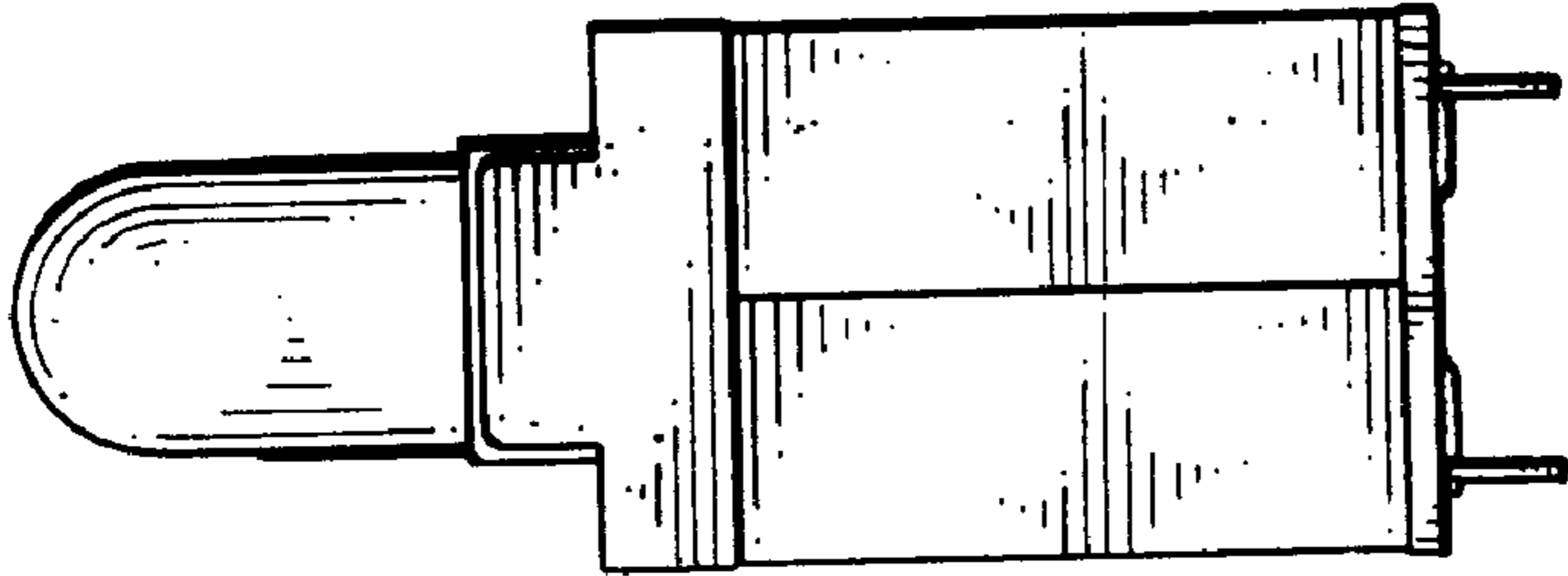


FIG. 5

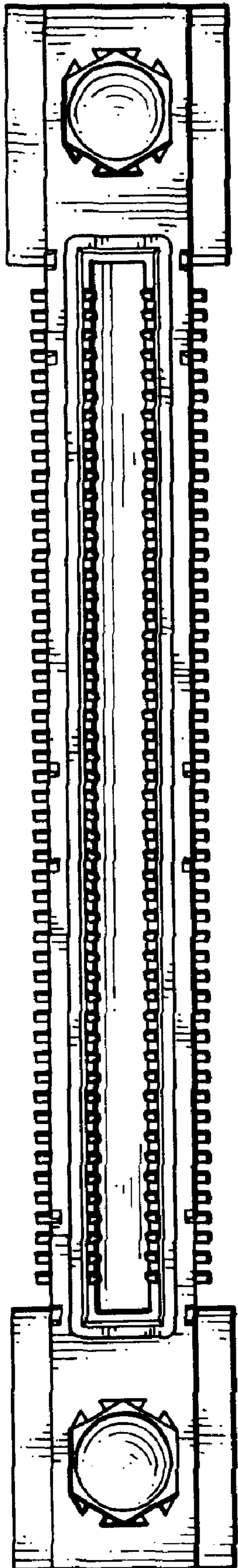


FIG. 6

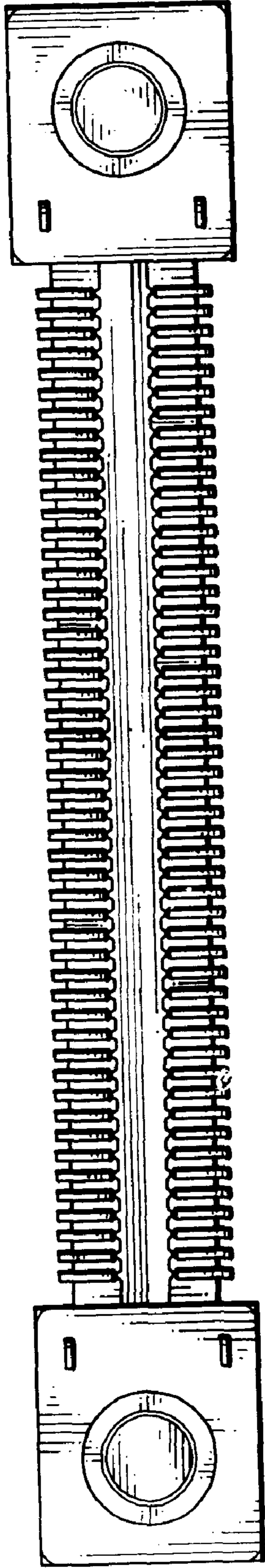


FIG. 7