



US00D409979S

# United States Patent [19]

Lee

[11] **Patent Number: Des. 409,979**

[45] **Date of Patent: \*\* May 18, 1999**

[54] **PORTABLE RECHARGEABLE POWER SUPPLY ADAPTOR**

5,431,585 7/1995 Fan ..... 439/668  
5,775,952 7/1998 Lu ..... 439/668

[76] Inventor: **Victor Shiu P. Lee**, 6081 Crestmont Dr., Chino Hills, Calif. 91709

*Primary Examiner*—Susan J. Lucas  
*Assistant Examiner*—Jennifer Rivard  
*Attorney, Agent, or Firm*—Stephen D. Carver

[\*\*] Term: **14 Years**

[57] **CLAIM**

[21] Appl. No.: **29/083,267**

The ornamental design for a portable rechargeable power supply adaptor, as shown.

[22] Filed: **Feb. 6, 1998**

**DESCRIPTION**

[51] **LOC (6) Cl.** ..... **13-03**

[52] **U.S. Cl.** ..... **D13/144; D13/107**

[58] **Field of Search** ..... D13/144, 107;  
D27/142; 439/668, 669, 638, 640, 620,  
490, 622; 337/216, 186; 363/146; D3/208

FIG. 1 is a front isometric view of my portable rechargeable power supply adaptor;  
FIG. 2 is a rear isometric view thereof;  
FIG. 3 is a left side elevational view thereof;  
FIG. 4 is a bottom plan view thereof;  
FIG. 5 is a top plan view thereof;  
FIG. 6 is a rear elevational view thereof; and,  
FIG. 7 is a front elevational view thereof.

[56] **References Cited**

**U.S. PATENT DOCUMENTS**

D. 349,096 7/1994 Hyvonen ..... D13/144  
D. 384,937 10/1997 Liu ..... D13/144

**1 Claim, 2 Drawing Sheets**

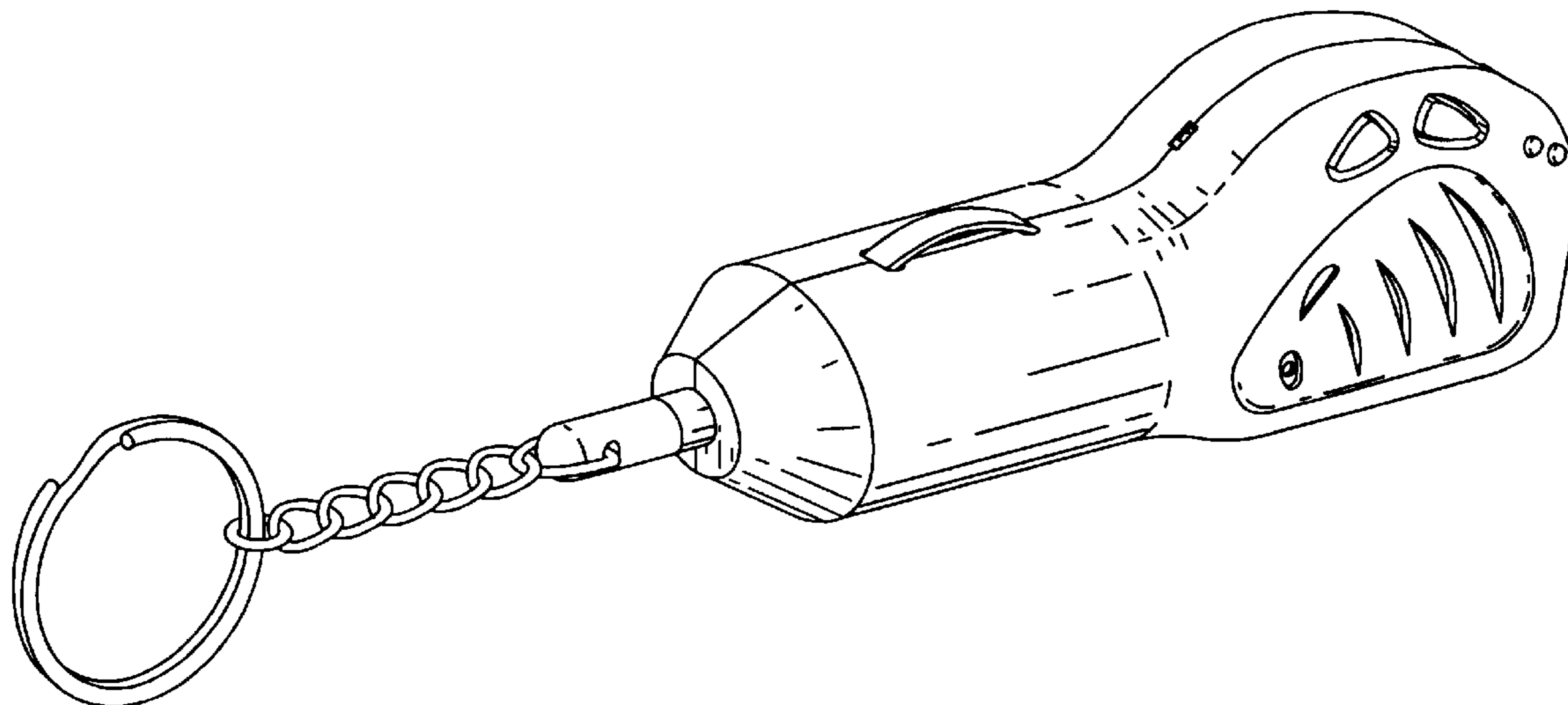


FIG. 1

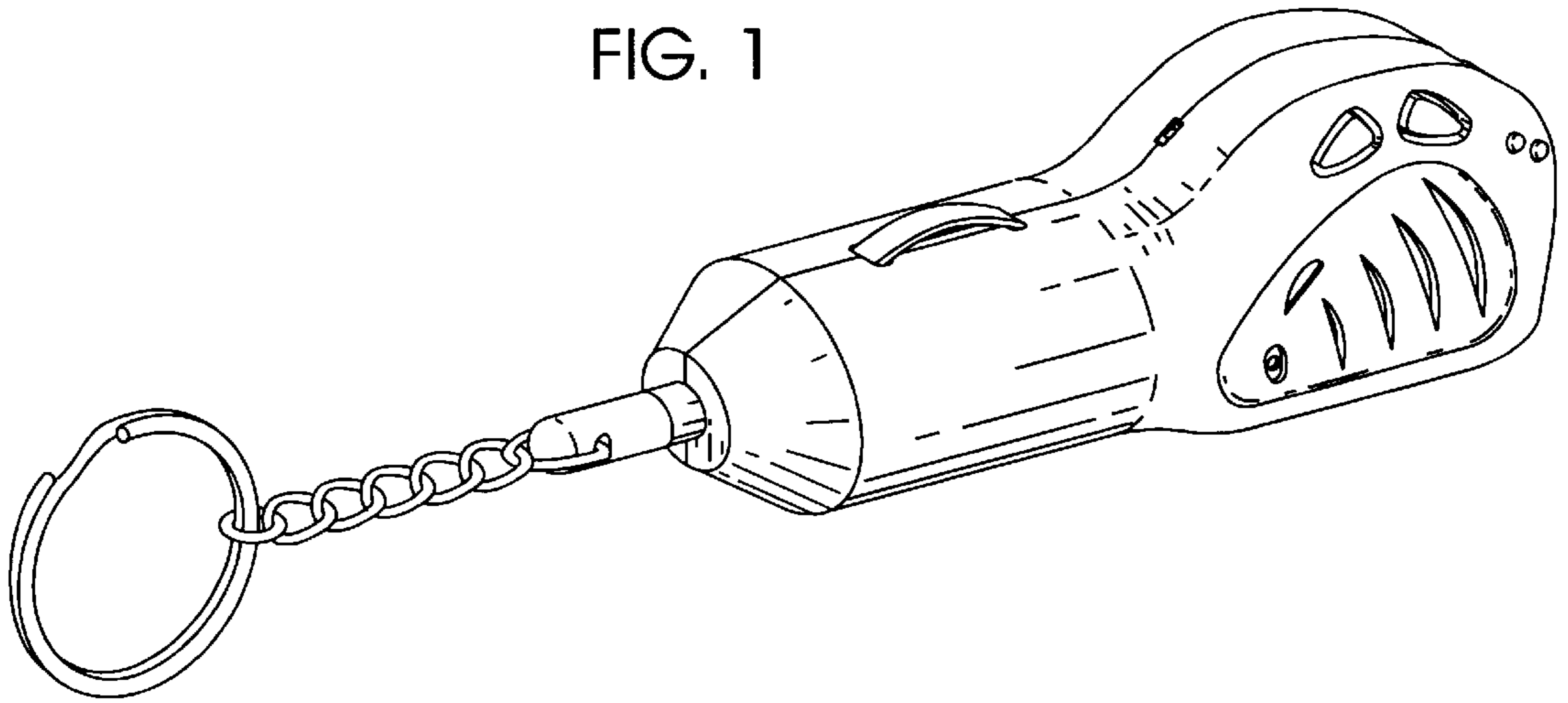


FIG. 2

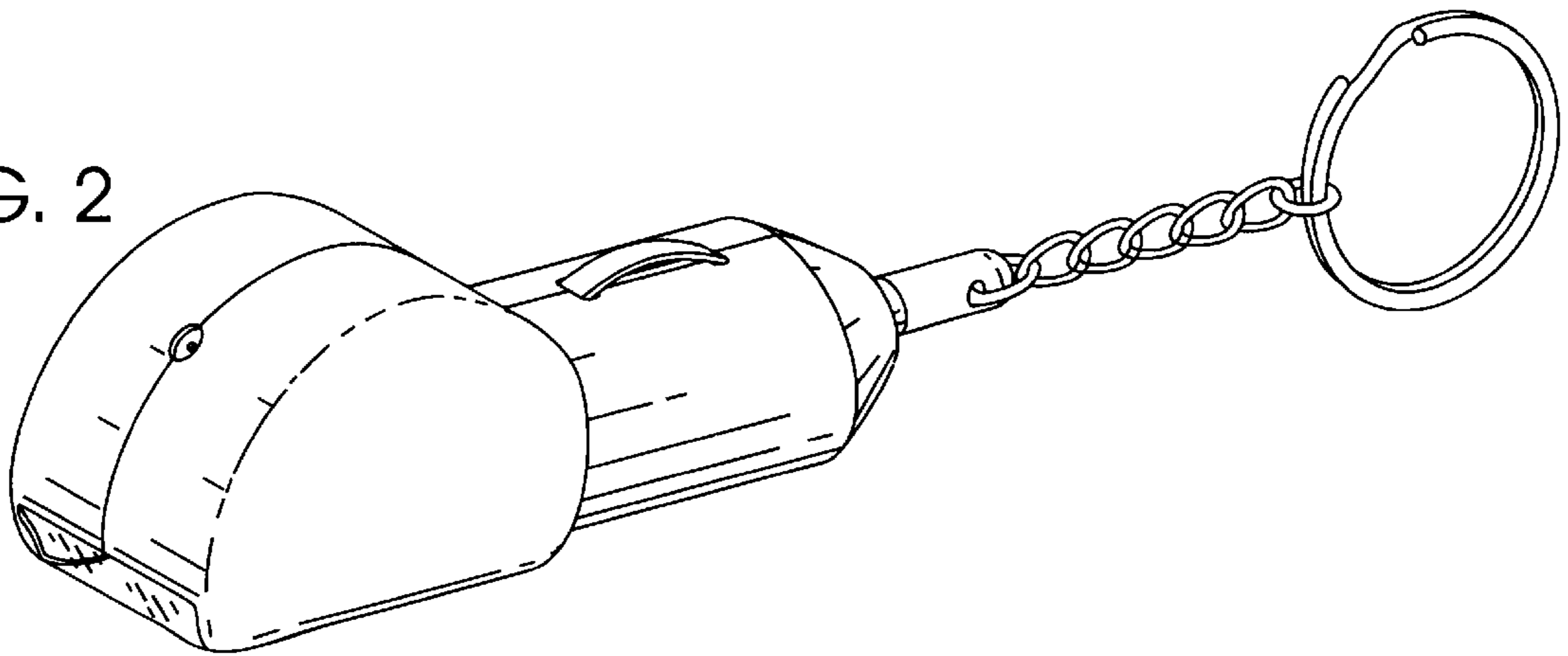


FIG. 3

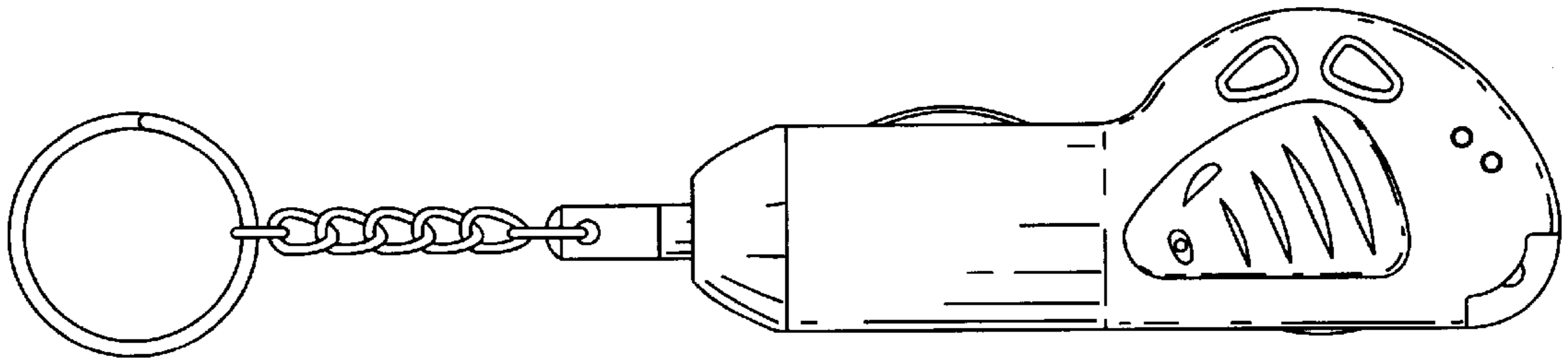


FIG. 4

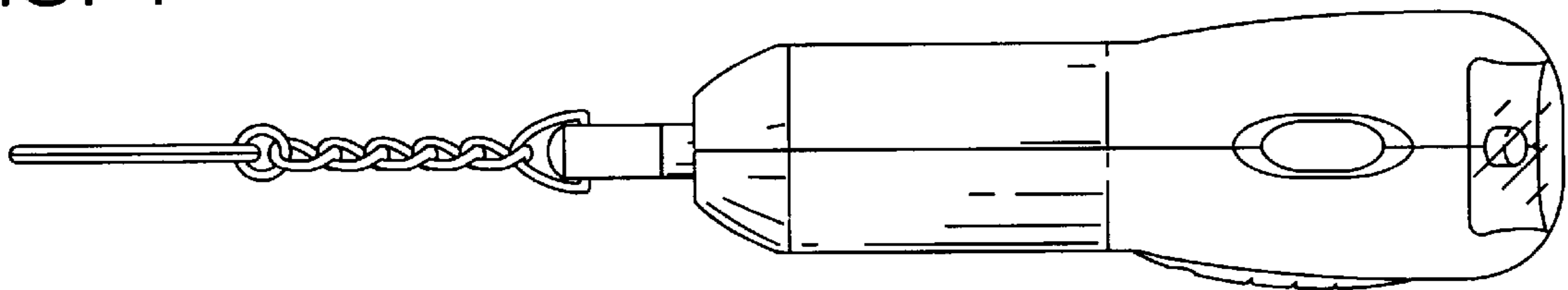


FIG. 5

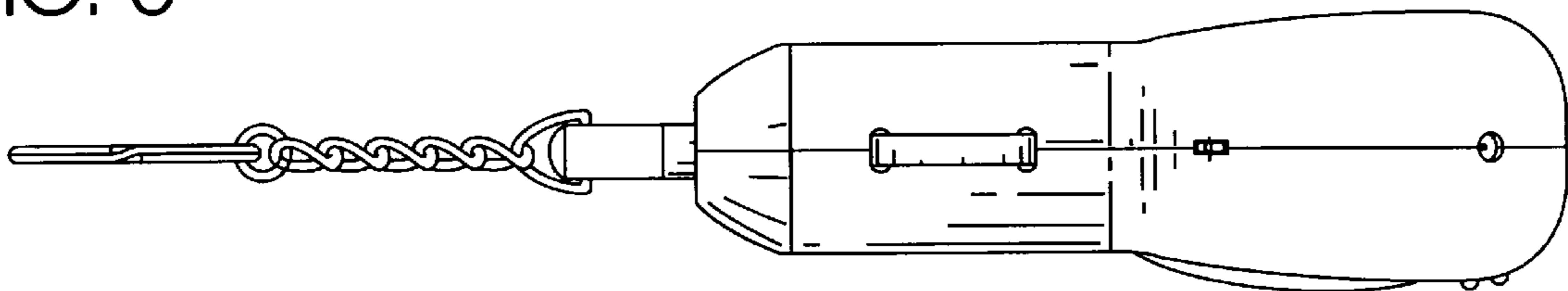


FIG. 6

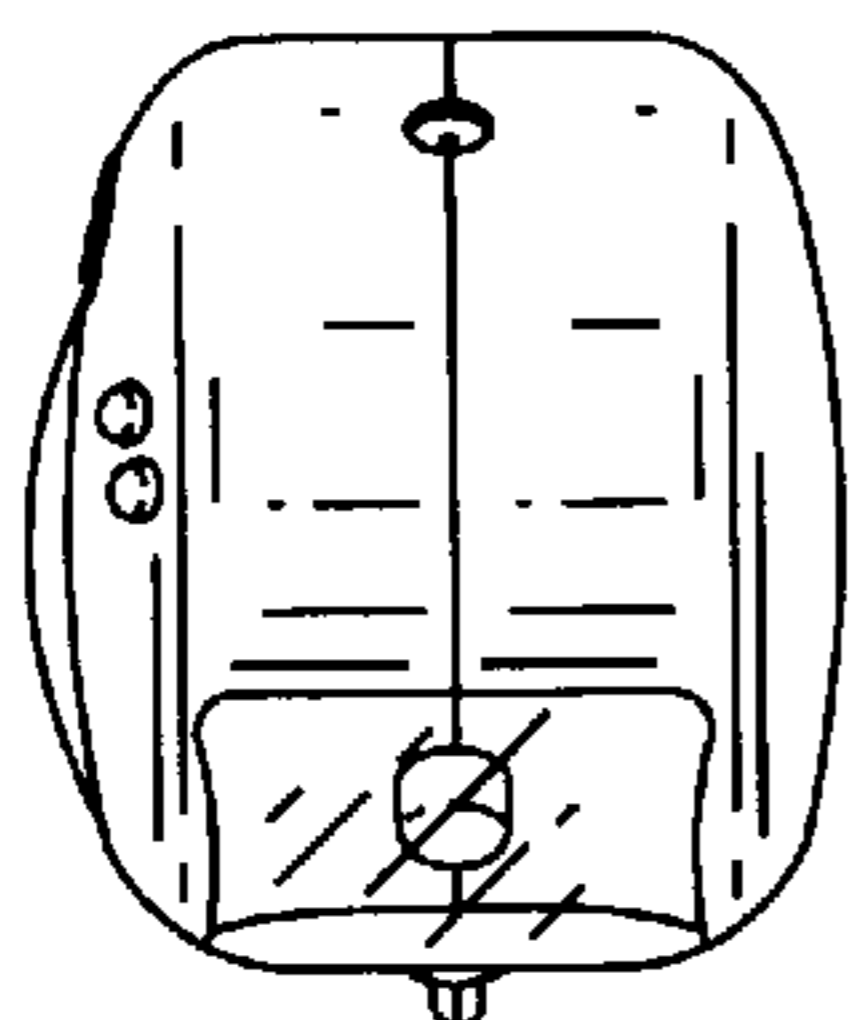


FIG. 7

