



US00D409978S

# United States Patent [19] Stekelenburg

[11] **Patent Number: Des. 409,978**

[45] **Date of Patent: \*\* May 18, 1999**

## [54] **SOCKET FOR EXTENSION CORD**

[75] Inventor: **Albert Stekelenburg**, Taipei, Taiwan

[73] Assignee: **All-Line, Inc.**, Taipei, Taiwan

[\*\*] Term: **14 Years**

[21] Appl. No.: **29/095,278**

[22] Filed: **Oct. 20, 1998**

[51] **LOC (6) Cl.** ..... **13-03**

[52] **U.S. Cl.** ..... **D13/139.6**

[58] **Field of Search** ..... D15/139.1-139.8;  
200/51.11, 51.09; 439/682, 692, 620, 650,  
651, 652, 501, 76.1; 361/643, 119, 115,  
59, 56

## [56] **References Cited**

### U.S. PATENT DOCUMENTS

|            |         |               |       |           |
|------------|---------|---------------|-------|-----------|
| D. 284,758 | 7/1986  | Maloney       | ..... | D13/139.8 |
| D. 380,733 | 7/1997  | Parshad       | ..... | D13/139.6 |
| D. 390,190 | 2/1998  | Stekelenburg  | .     |           |
| D. 401,221 | 11/1998 | Dwight et al. | ..... | D13/139.6 |

## OTHER PUBLICATIONS

Item J. Outlet Floor Model, Miller's Office Products, Catalog '95, Sep. 1, 1995.

*Primary Examiner*—Alan P. Douglas  
*Assistant Examiner*—Jennifer Rivard  
*Attorney, Agent, or Firm*—Bacon & Thomas

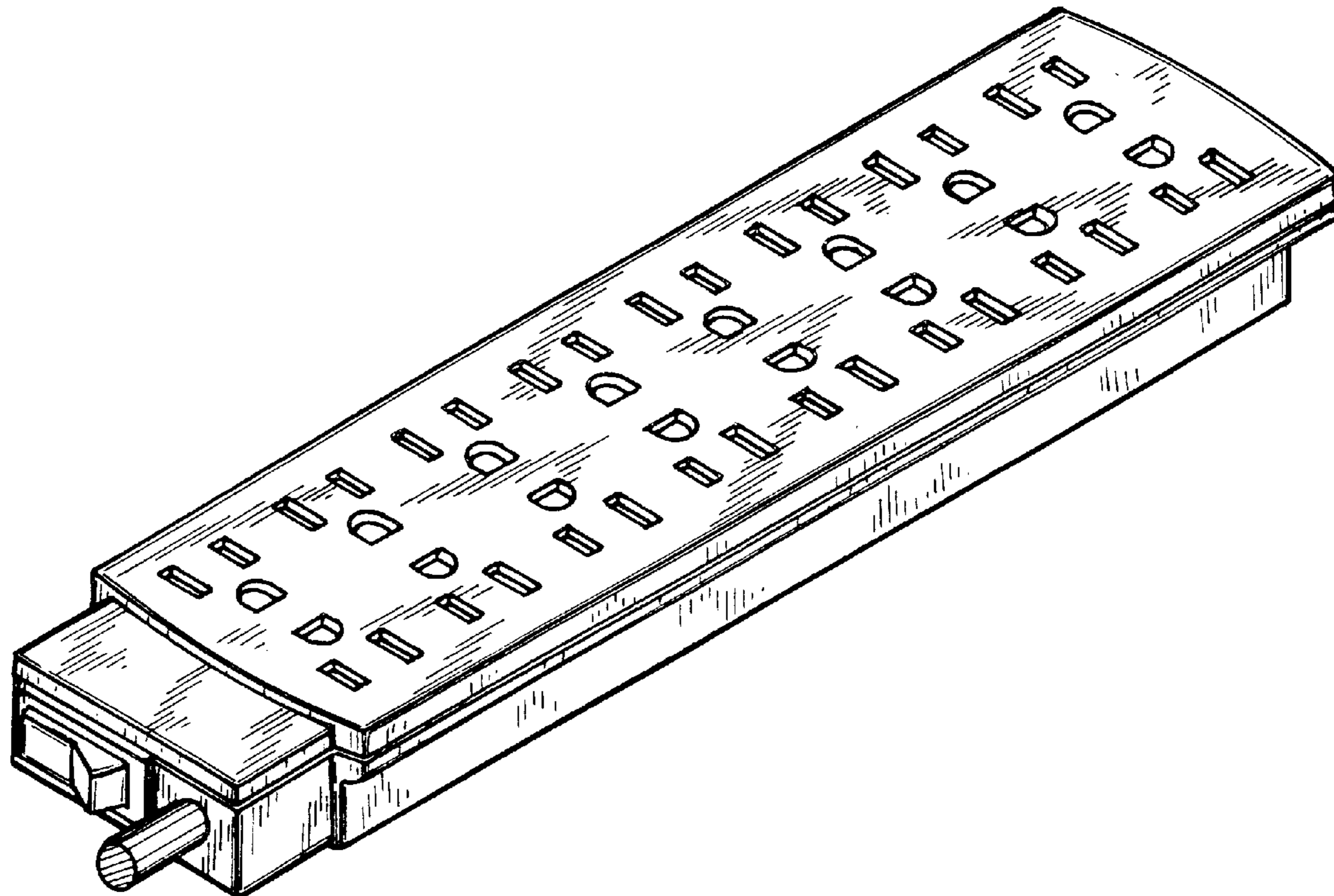
## [57] **CLAIM**

The ornamental design for a socket for extension cord, as shown and described.

## DESCRIPTION

FIG. 1 is a top plan view of a socket for extension cord, showing my new design;  
FIG. 2 is a front view thereof;  
FIG. 3 is a right side elevational view thereof;  
FIG. 4 is a left side elevational view thereof;  
FIG. 5 is a rear elevational view thereof;  
FIG. 6 is a bottom plan view thereof; and,  
FIG. 7 is a perspective view thereof.

**1 Claim, 3 Drawing Sheets**



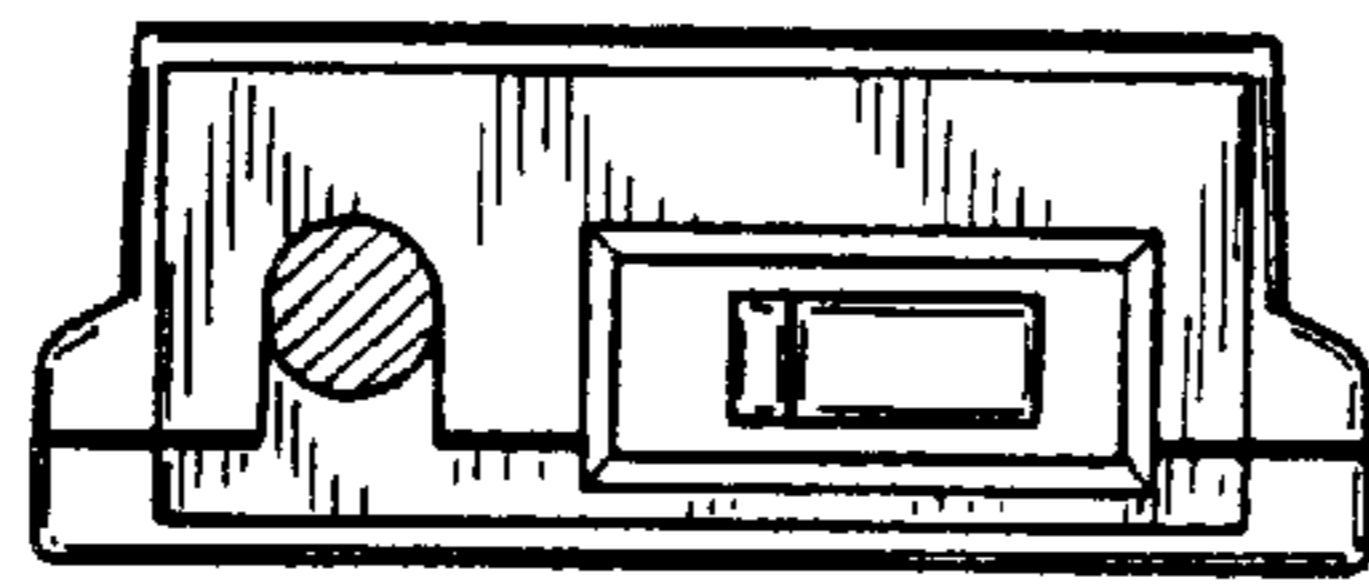


FIG. 1

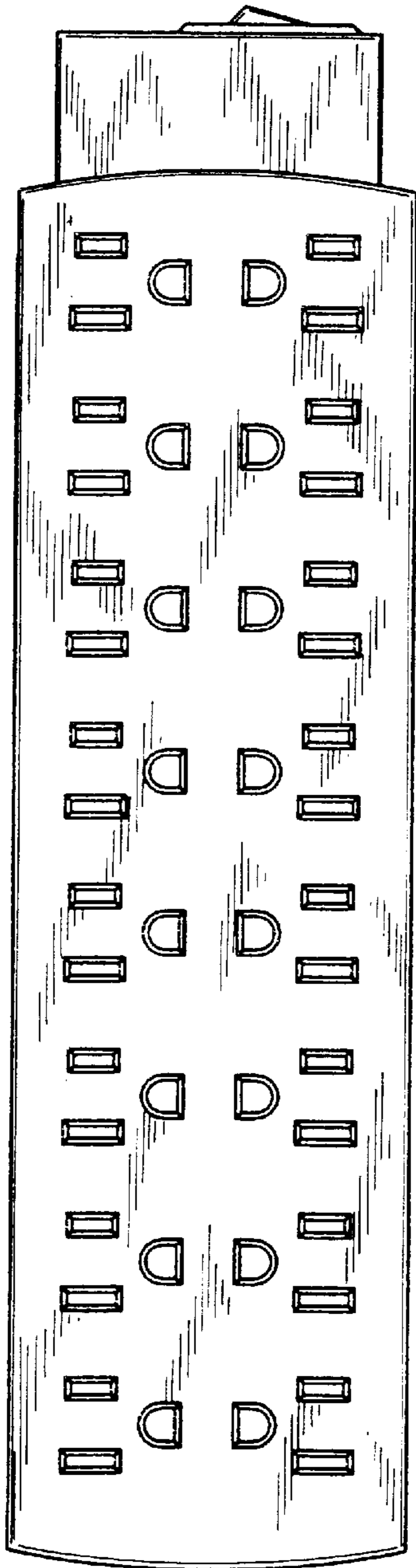


FIG. 2

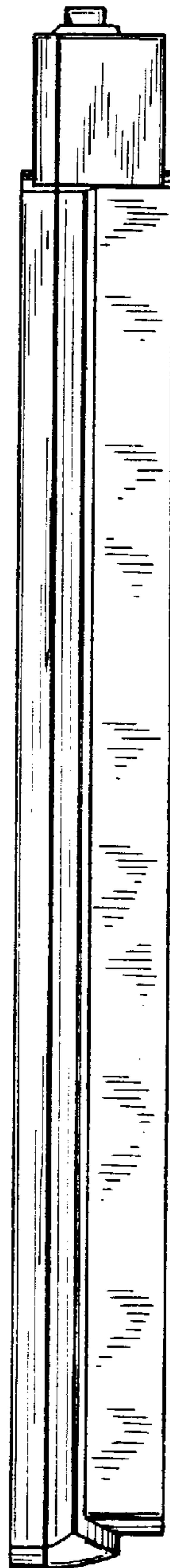


FIG. 3

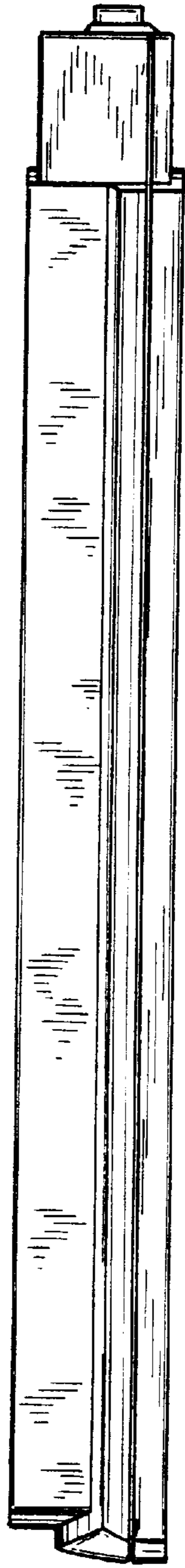


FIG. 4

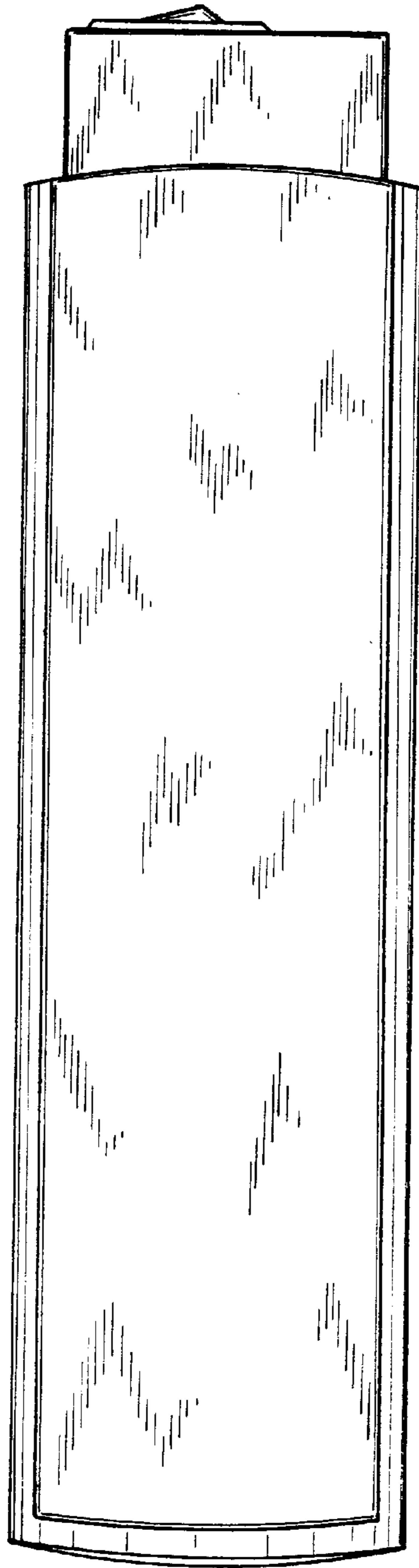


FIG. 5

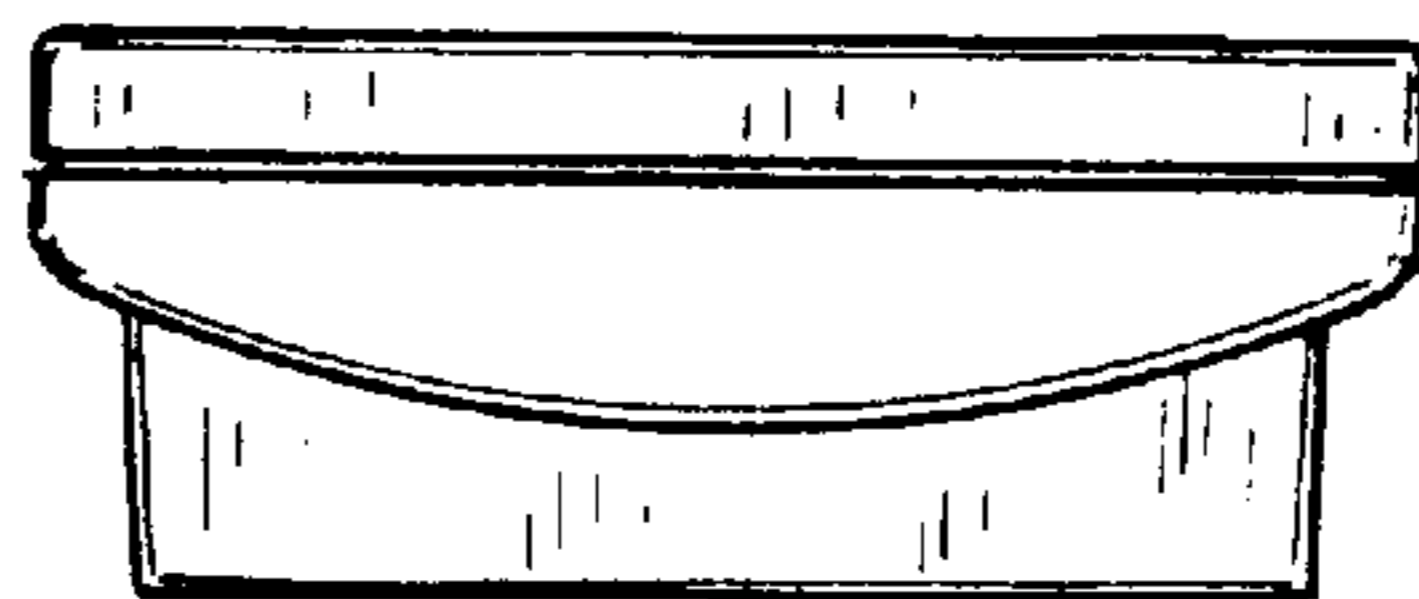


FIG. 6

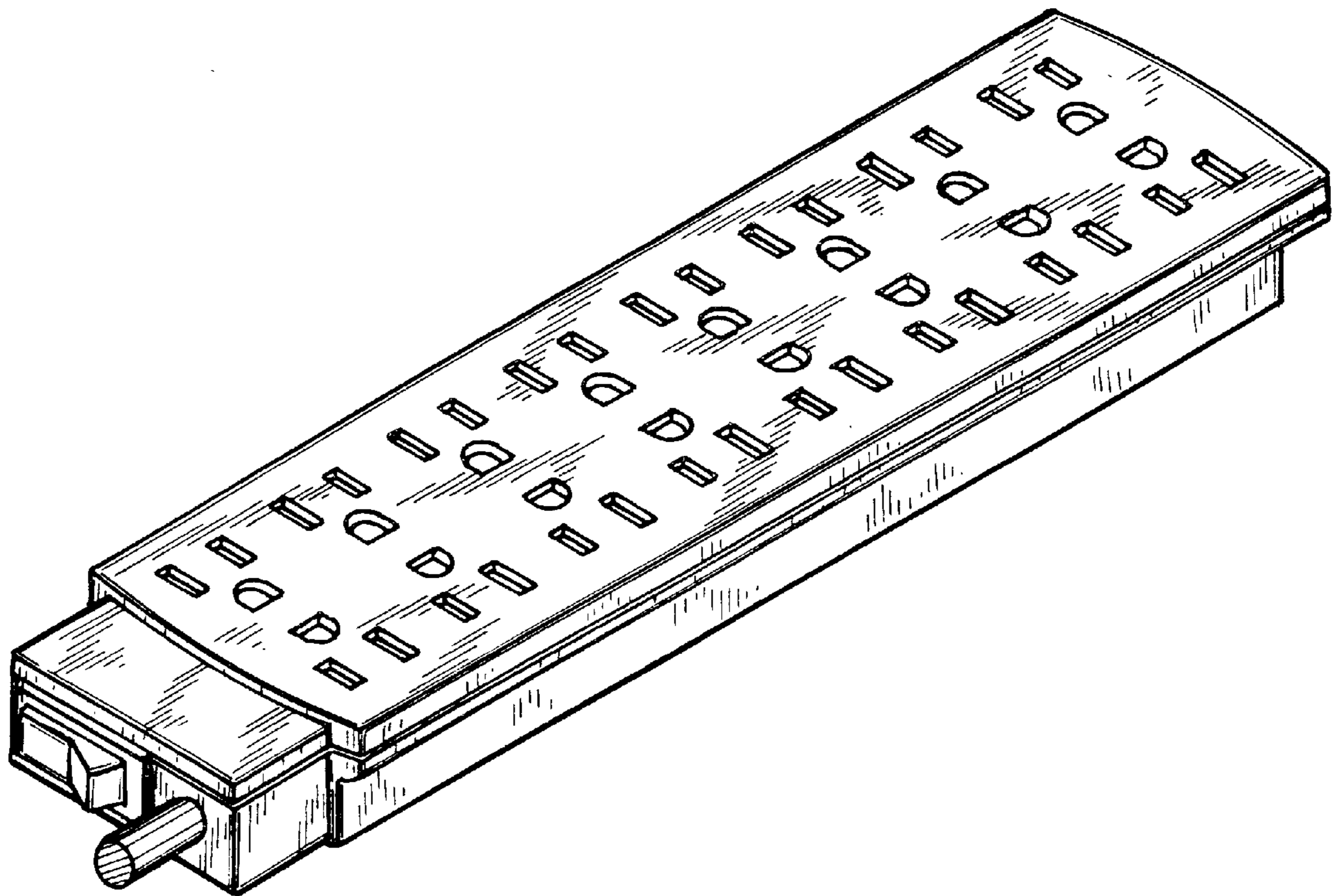


FIG. 7