



US00D409975S

United States Patent [19]
Zeller

[11] **Patent Number: Des. 409,975**

[45] **Date of Patent: ** May 18, 1999**

[54] **BATTERY CASE**

[76] Inventor: **Noel E. Zeller**, c/o Zelco Industries,
Inc. 65 Haven Ave., Mount Vernon,
N.Y. 10553

[**] Term: **14 Years**

[21] Appl. No.: **29/088,376**

[22] Filed: **May 14, 1998**

4,072,800	2/1978	Gammer	429/97
5,061,579	10/1991	Ishimoto	429/96
5,296,314	3/1994	Millauer et al.	429/99
5,736,271	4/1998	Cisar et al.	429/96
5,744,260	4/1998	Sim	429/99

Primary Examiner—Joel Sincavage
Attorney, Agent, or Firm—Donald S. Dowden; Cooper &
Dunham LLP

Related U.S. Application Data

[62] Division of application No. 29/074,193, Jul. 28, 1997, Pat.
No. Des. 395,723.

- [51] **LOC (6) Cl.** **13-02**
- [52] **U.S. Cl.** **D13/103**
- [58] **Field of Search** D13/103; 429/96-100,
429/163, 176

References Cited

U.S. PATENT DOCUMENTS

D. 306,851 3/1990 Weimann D13/103

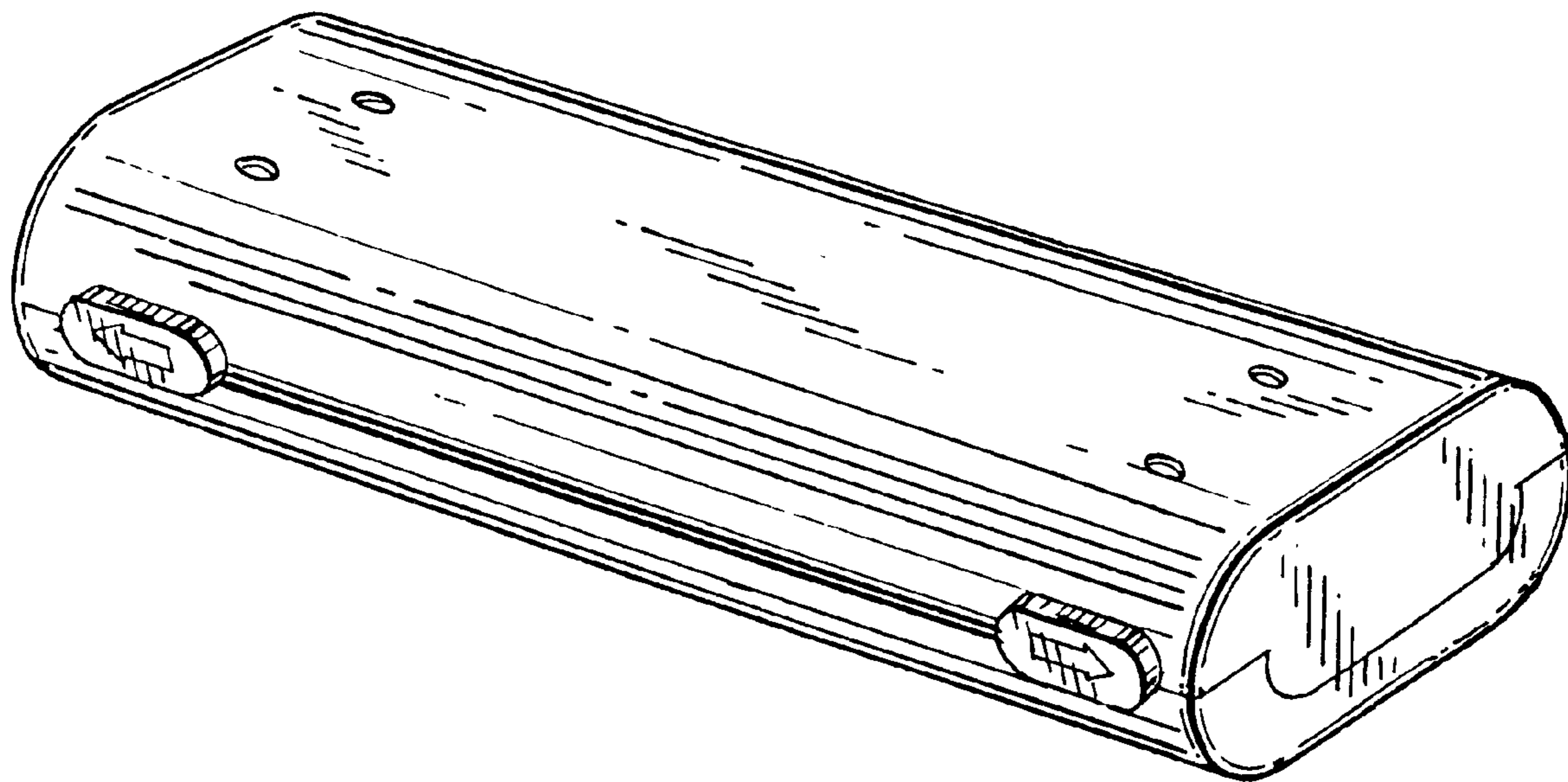
[57] **CLAIM**

The ornamental design for a battery case, as shown and
described.

DESCRIPTION

FIG. 1 is a top right front perspective view showing my new
design;
FIG. 2 is a front view thereof;
FIG. 3 is a right view thereof;
FIG. 4 is a left view thereof;
FIG. 5 is a rear view thereof;
FIG. 6 is a top view thereof; and,
FIG. 7 is a bottom thereof.

1 Claim, 3 Drawing Sheets



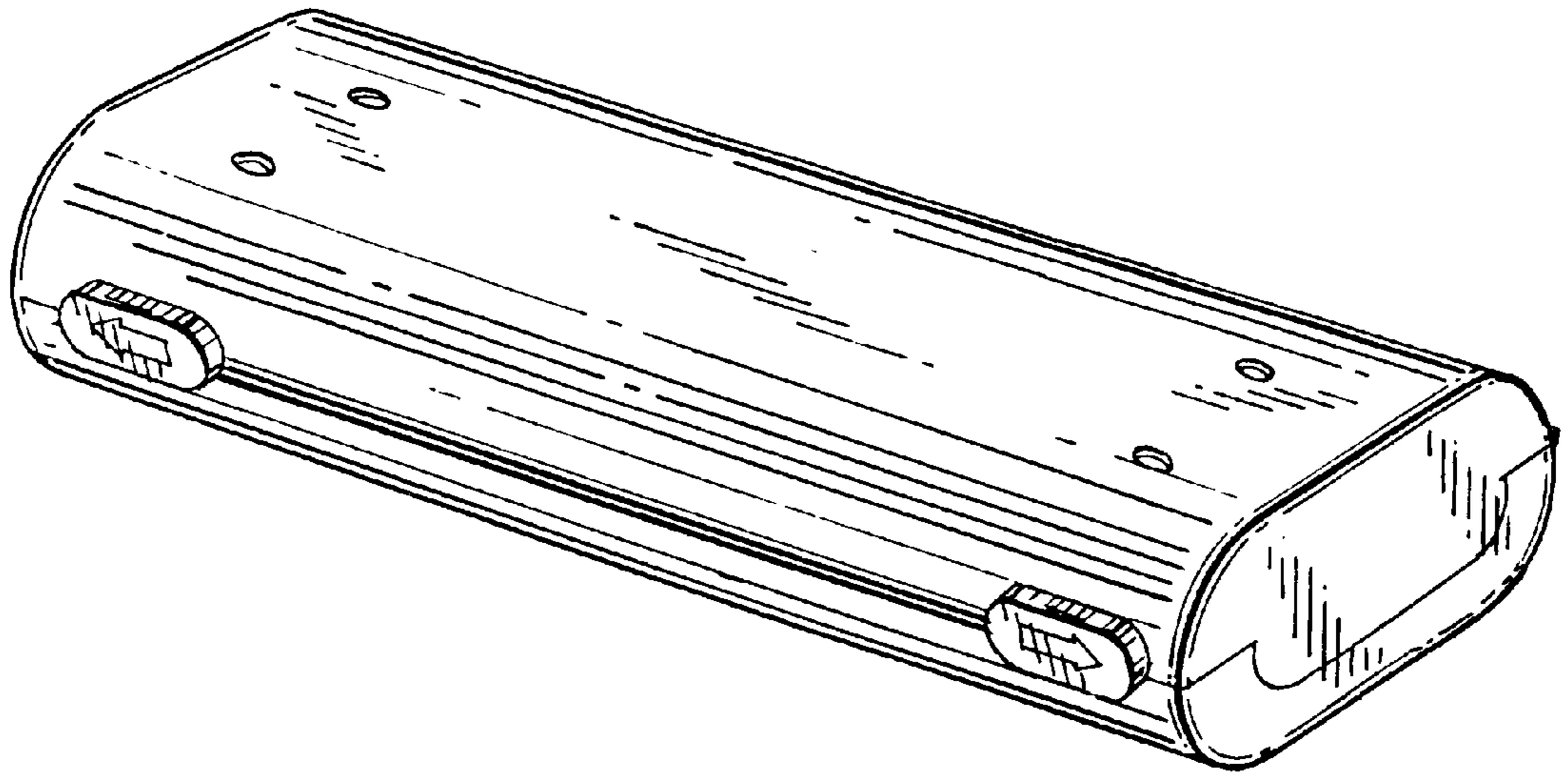


FIG. 1

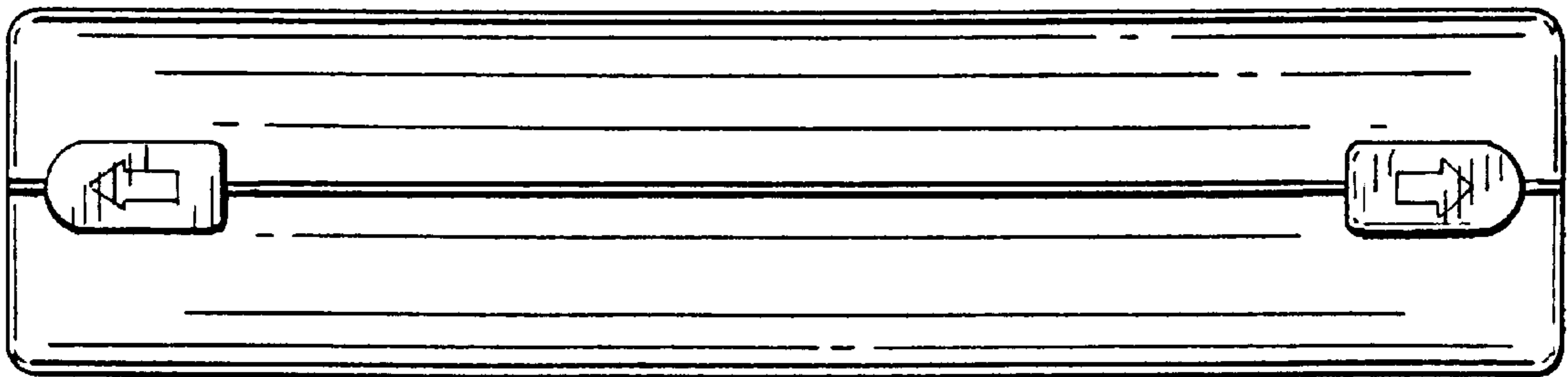


FIG. 2

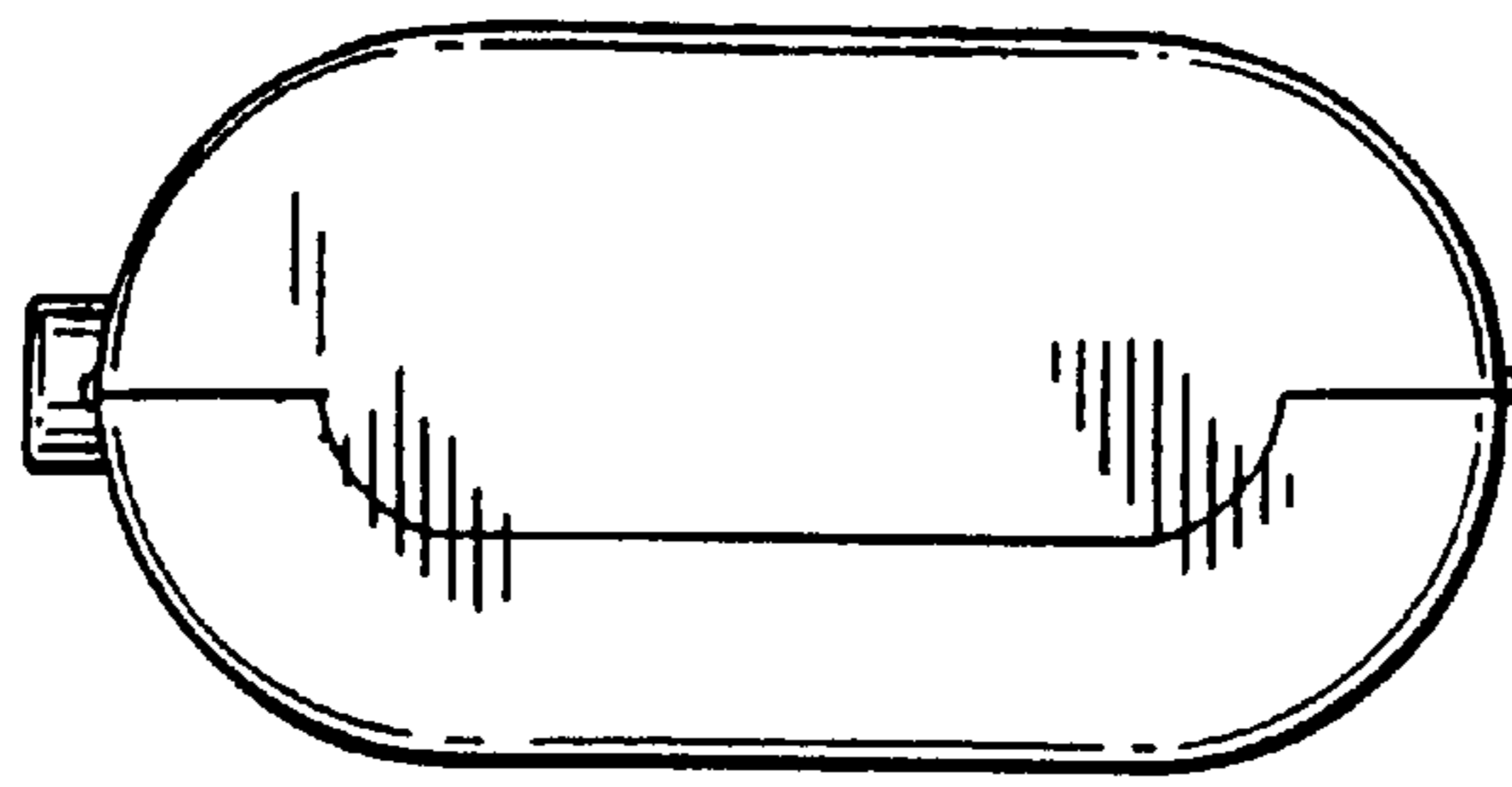


FIG. 3

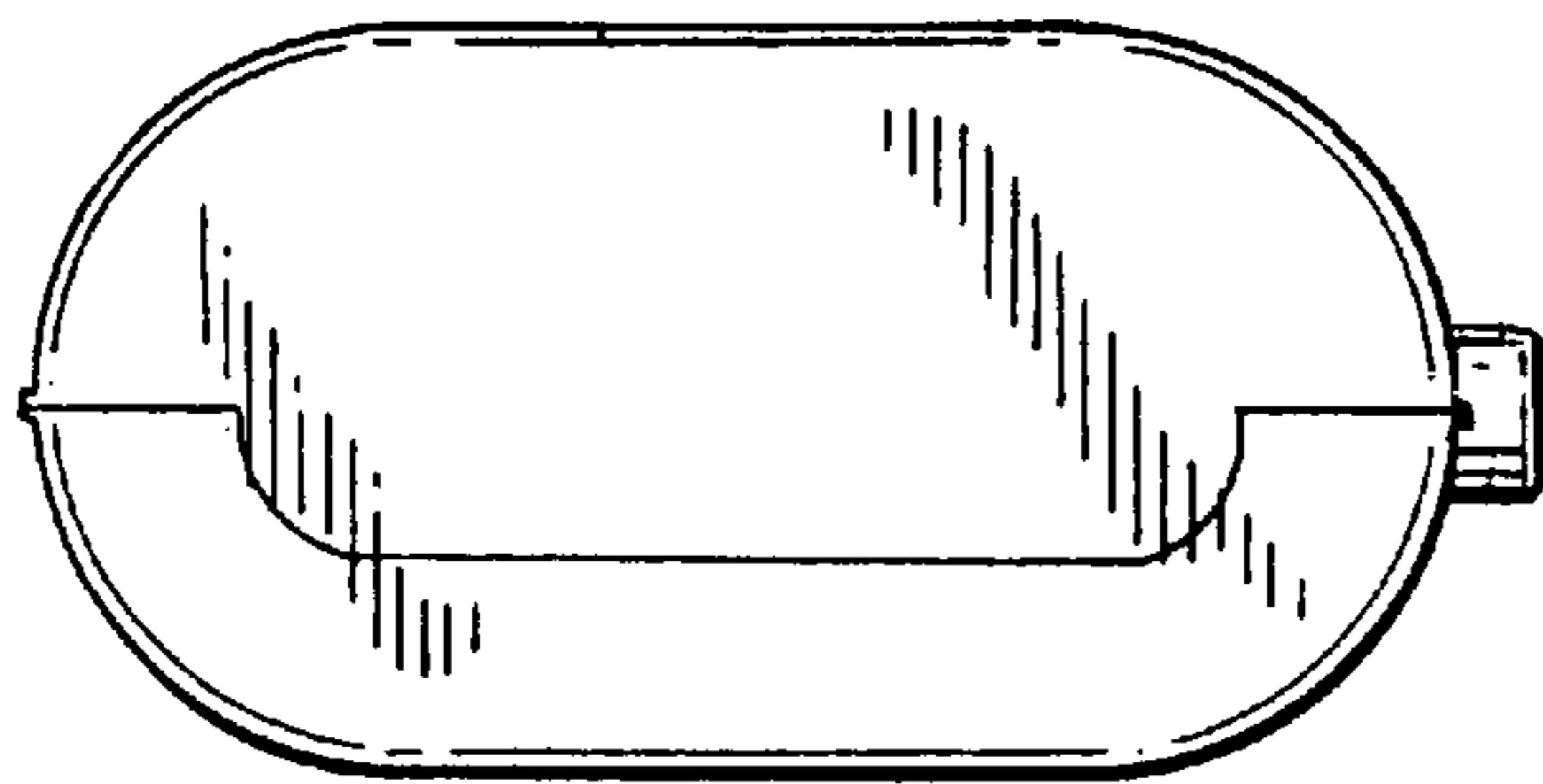


FIG. 4

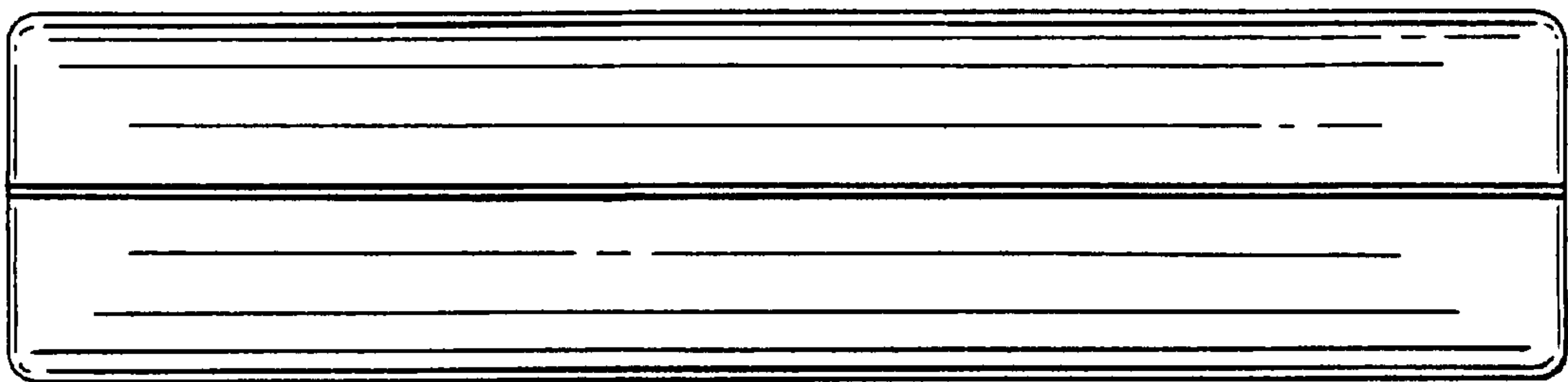


FIG. 5

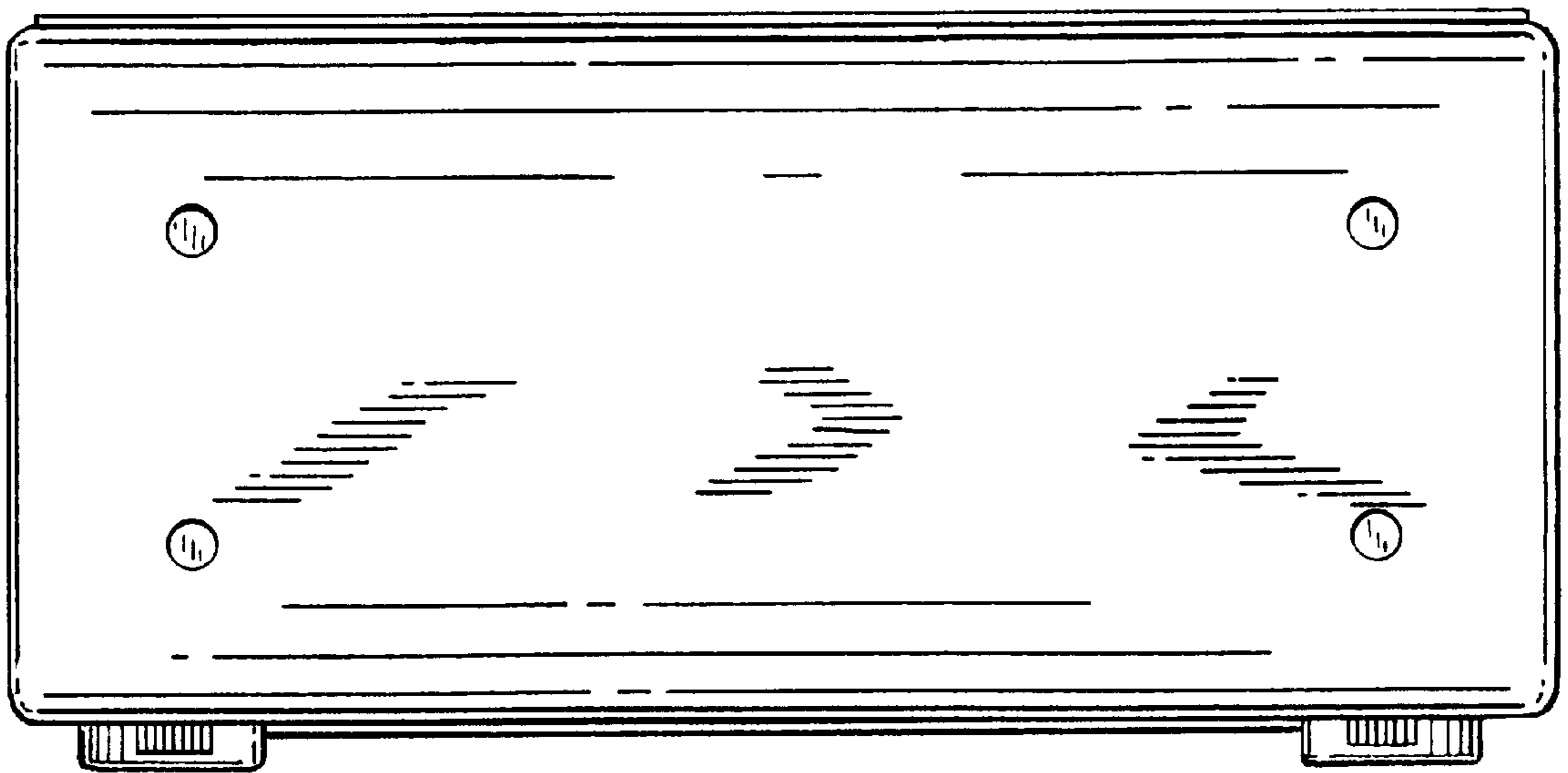


FIG. 6

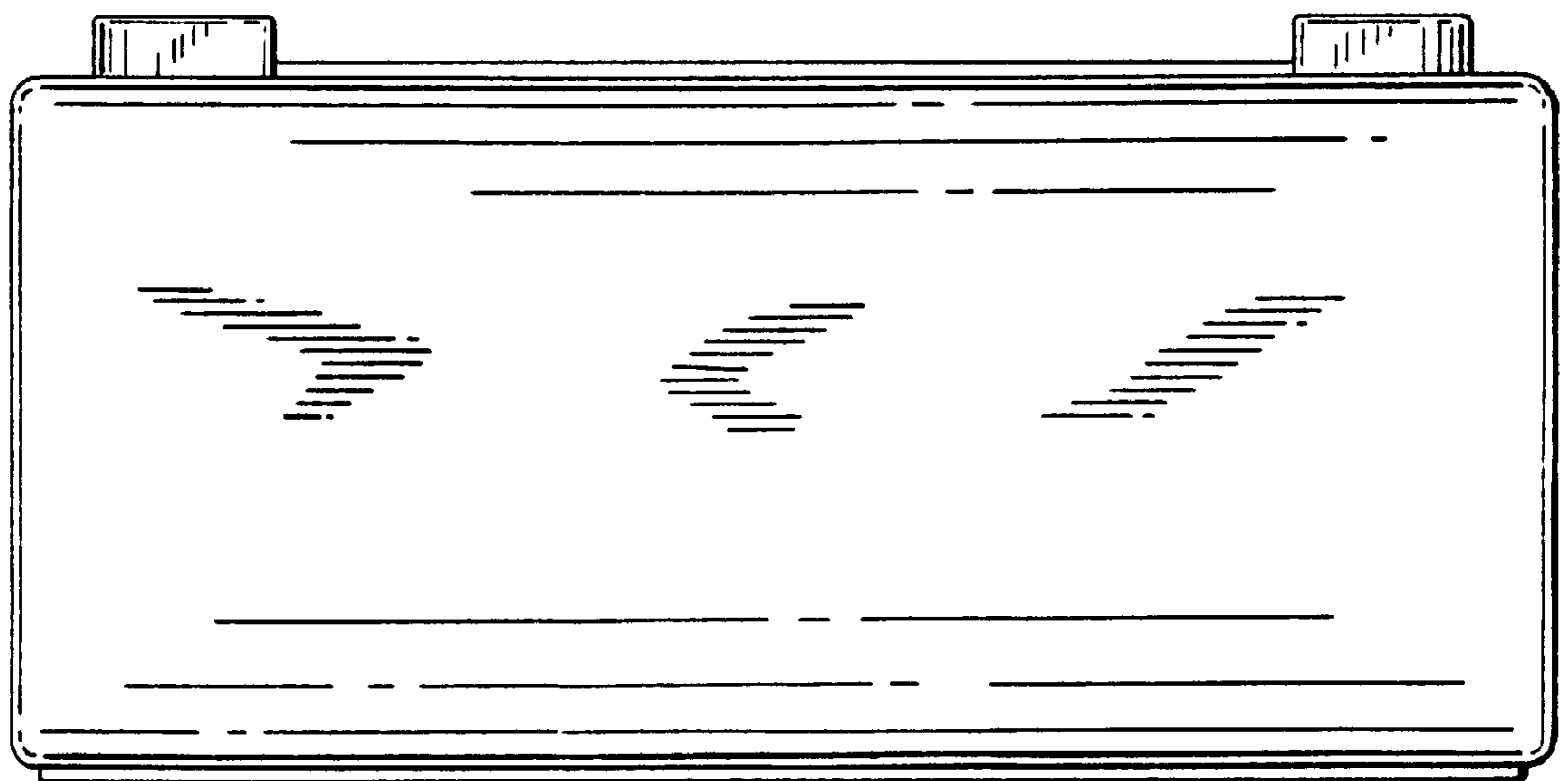


FIG. 7