



US00D409973S

# United States Patent [19]

Iwamoto et al.

[11] **Patent Number: Des. 409,973**

[45] **Date of Patent: \*\* May 18, 1999**

[54] **BATTERY FOR COMPUTER**

902054 6/1994 Japan .

[75] Inventors: **Hideto Iwamoto; Hidebumi Arai**, both of Tokyo, Japan

*Primary Examiner*—Joel Sincavage  
*Attorney, Agent, or Firm*—Oblon, Spivak, McClelland, Maier & Neustadt, P.C.

[73] Assignee: **Mitsubishi Denki Kabushiki Kaisha**, Tokyo, Japan

[57] **CLAIM**

[\*\*] Term: **14 Years**

The ornamental design for battery for computer, as shown and described.

[21] Appl. No.: **29/082,215**

[22] Filed: **Jan. 16, 1998**

[30] **Foreign Application Priority Data**

Jul. 18, 1997 [JP] Japan ..... 9-62104

[51] **LOC (6) Cl.** ..... **13-02**

[52] **U.S. Cl.** ..... **D13/103**

[58] **Field of Search** ..... D13/103; 439/96-100, 439/163, 176; 361/683

**DESCRIPTION**

FIG. 1 is a front elevational view of battery for computer embodying our new design;

FIG. 2 is a rear elevational view thereof;

FIG. 3 is a left side elevational view thereof;

FIG. 4 is a right side elevational view thereof;

FIG. 5 is a top plan view thereof;

FIG. 6 is a bottom plan view thereof;

FIG. 7 is a cross-sectional view thereof taken along line 7-7 in FIG. 1;

FIG. 8 is a top, front and right side perspective view thereof; and,

FIG. 9 is a top, front and left side perspective view thereof showing the battery for computer when in use.

The computer shown in phantom lines in FIG. 9 is for illustrative purposes only and forms no part of the claimed invention.

[56] **References Cited**

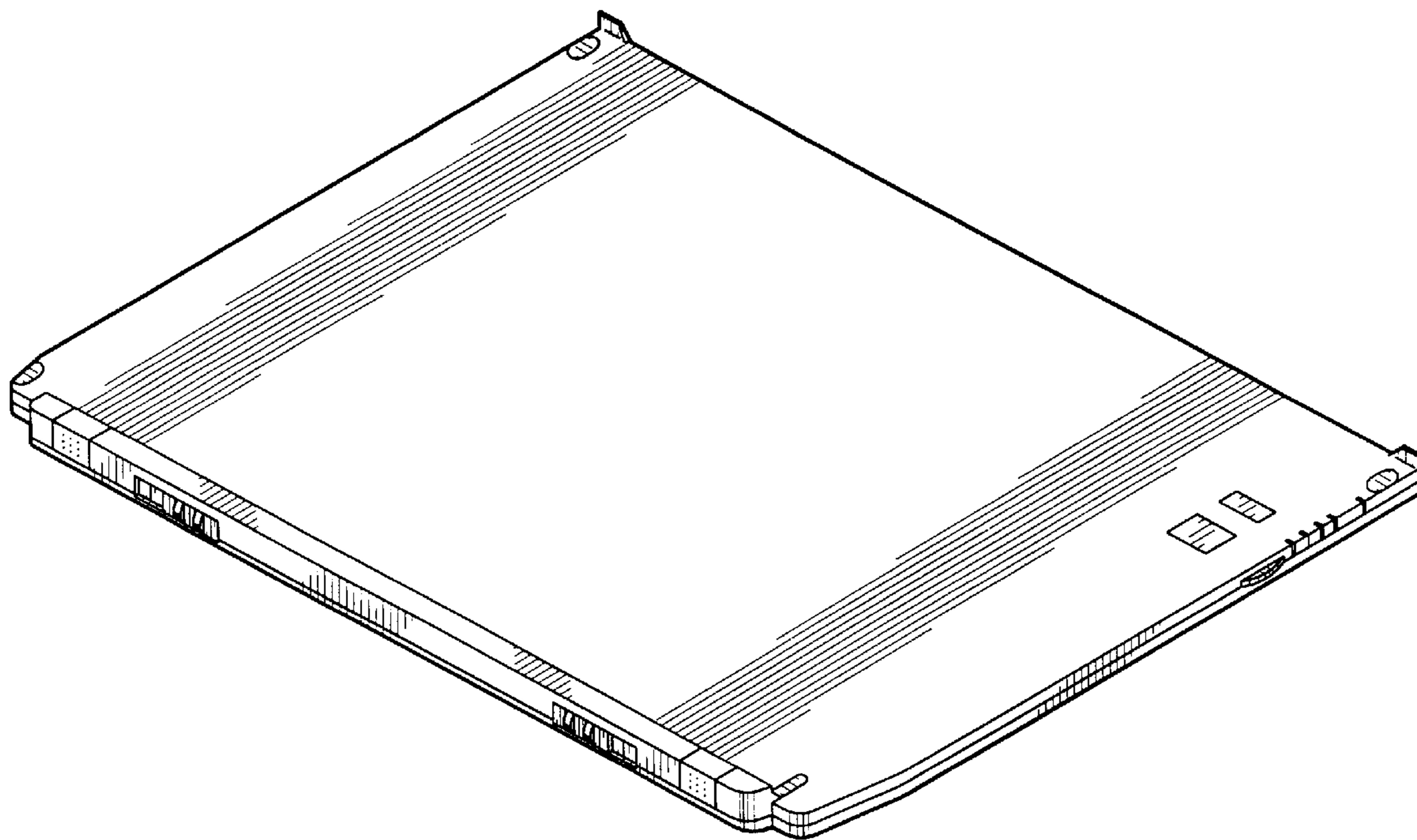
**U.S. PATENT DOCUMENTS**

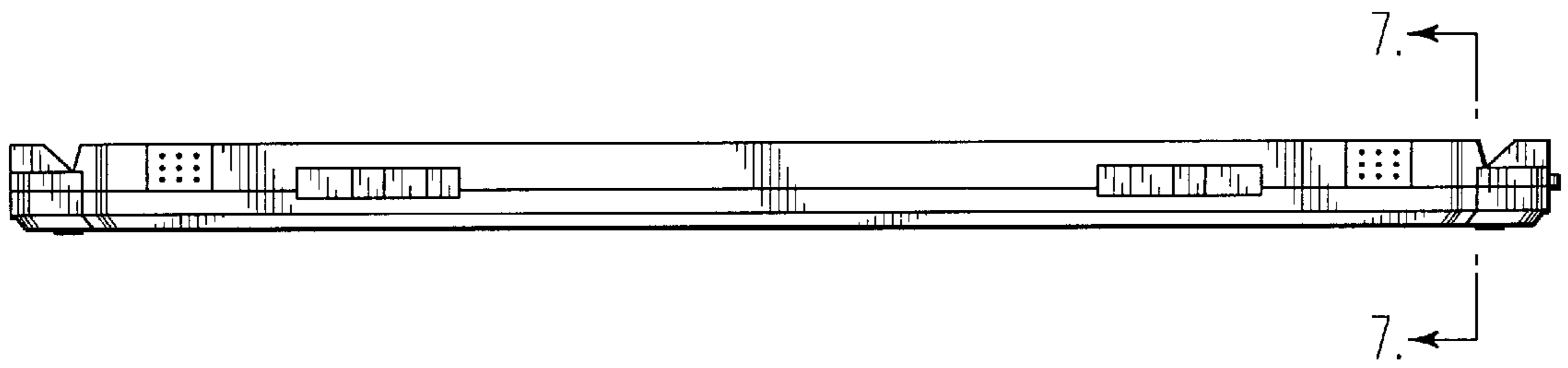
- D. 356,992 4/1995 Dilgard ..... D13/103
- 5,019,465 5/1991 Herron et al. .... 429/97
- 5,225,293 7/1993 Mitchell et al. .... 429/97

**FOREIGN PATENT DOCUMENTS**

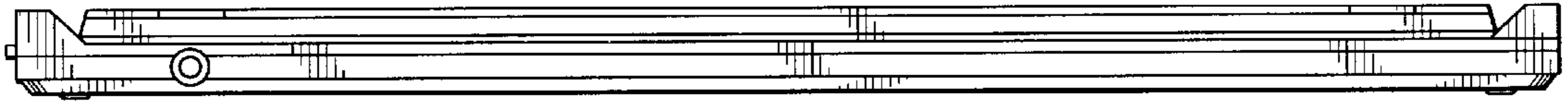
890219 2/1994 Japan .

**1 Claim, 4 Drawing Sheets**

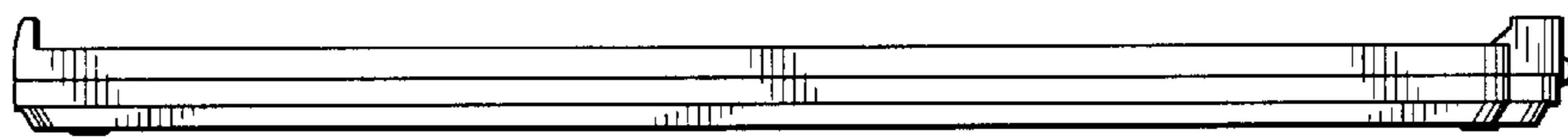




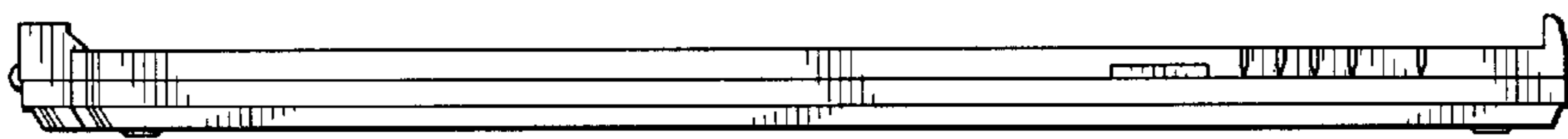
*FIG. 1*



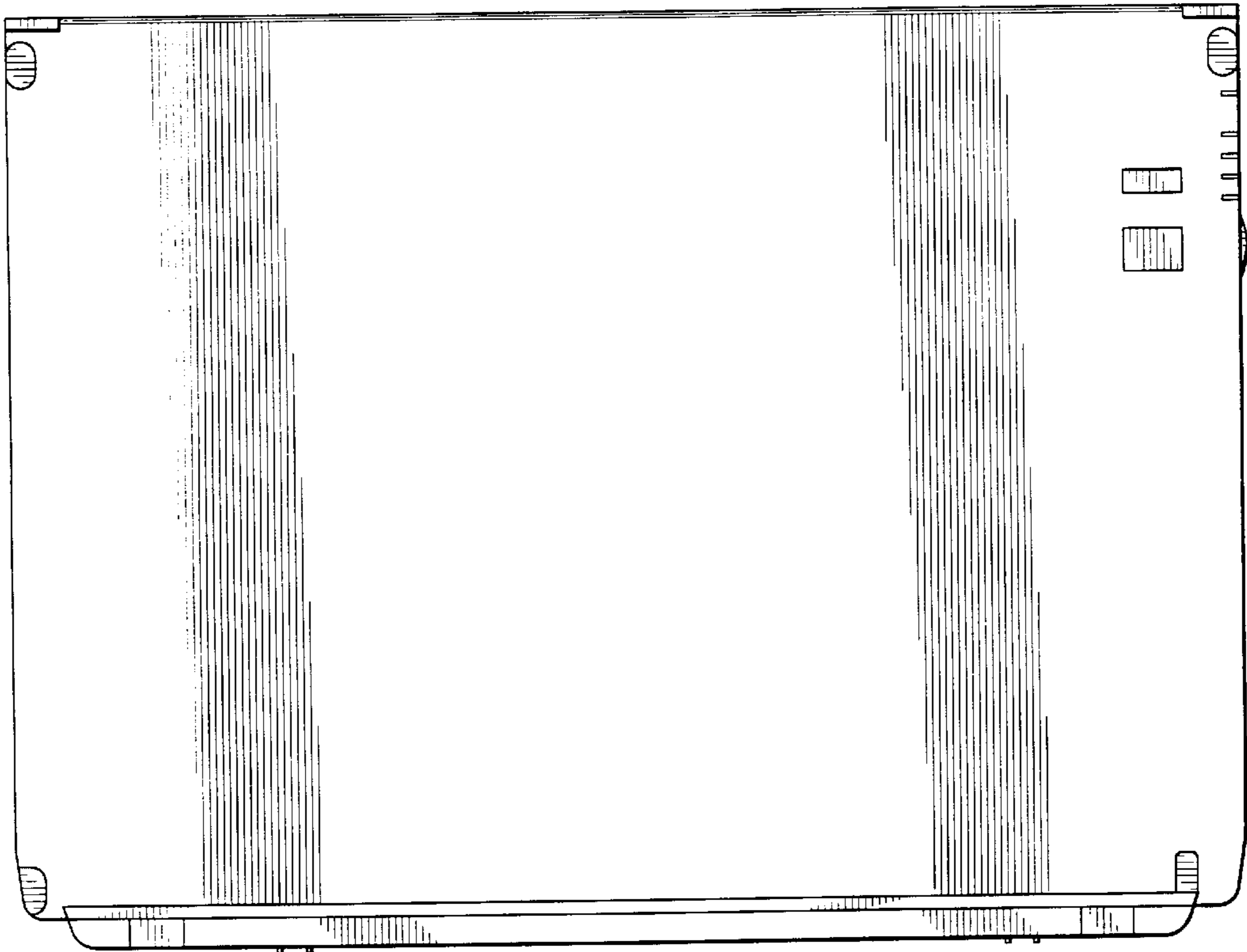
*FIG. 2*



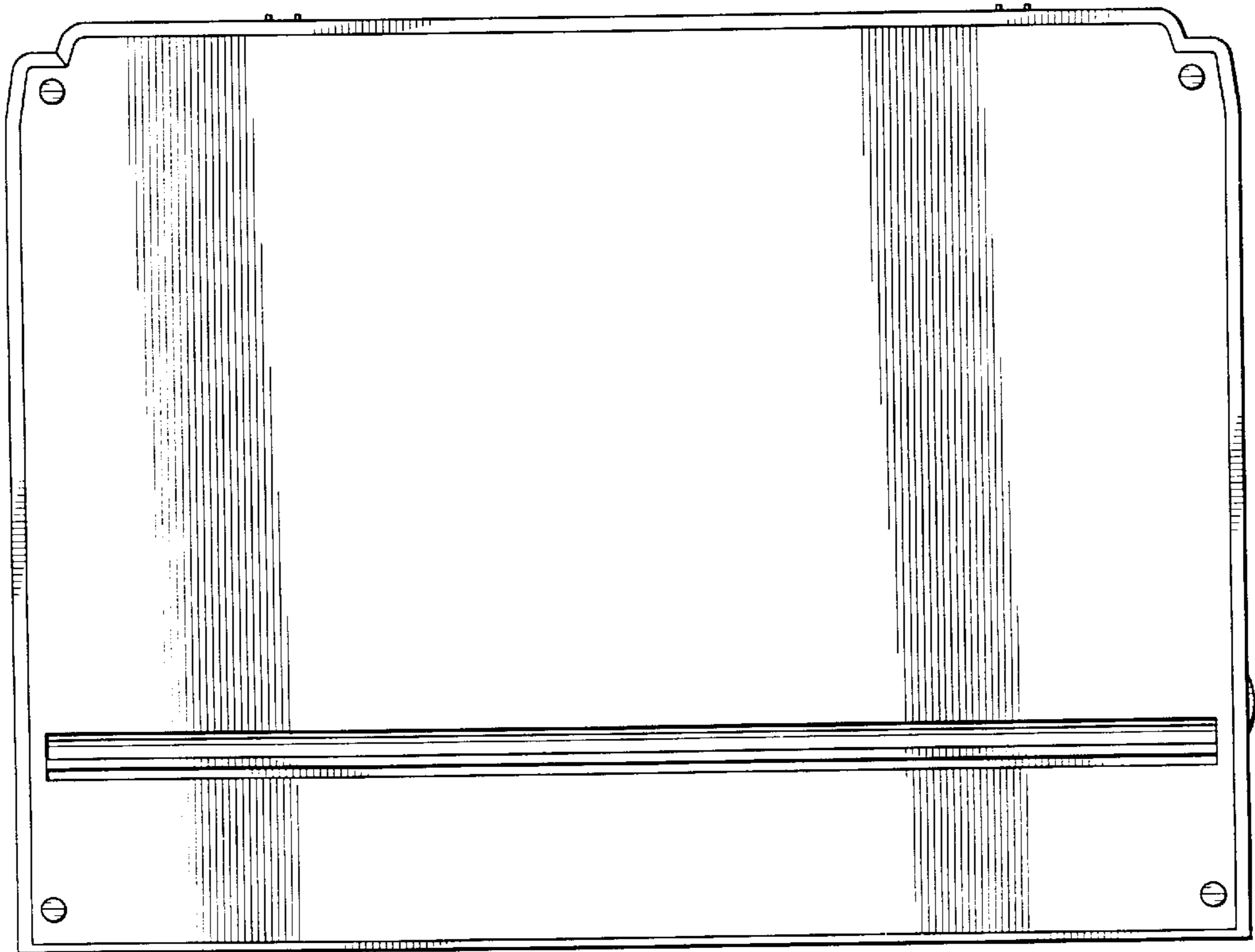
*FIG. 3*



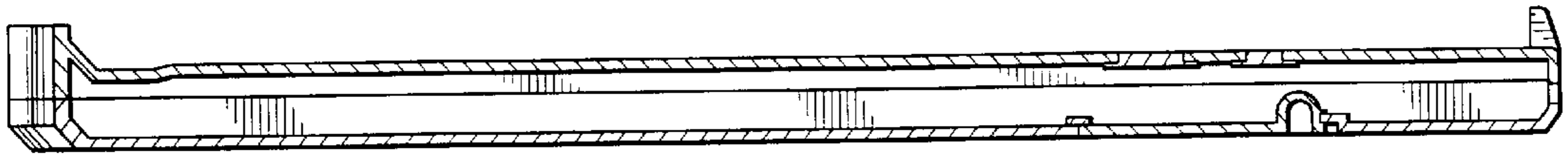
*FIG. 4*



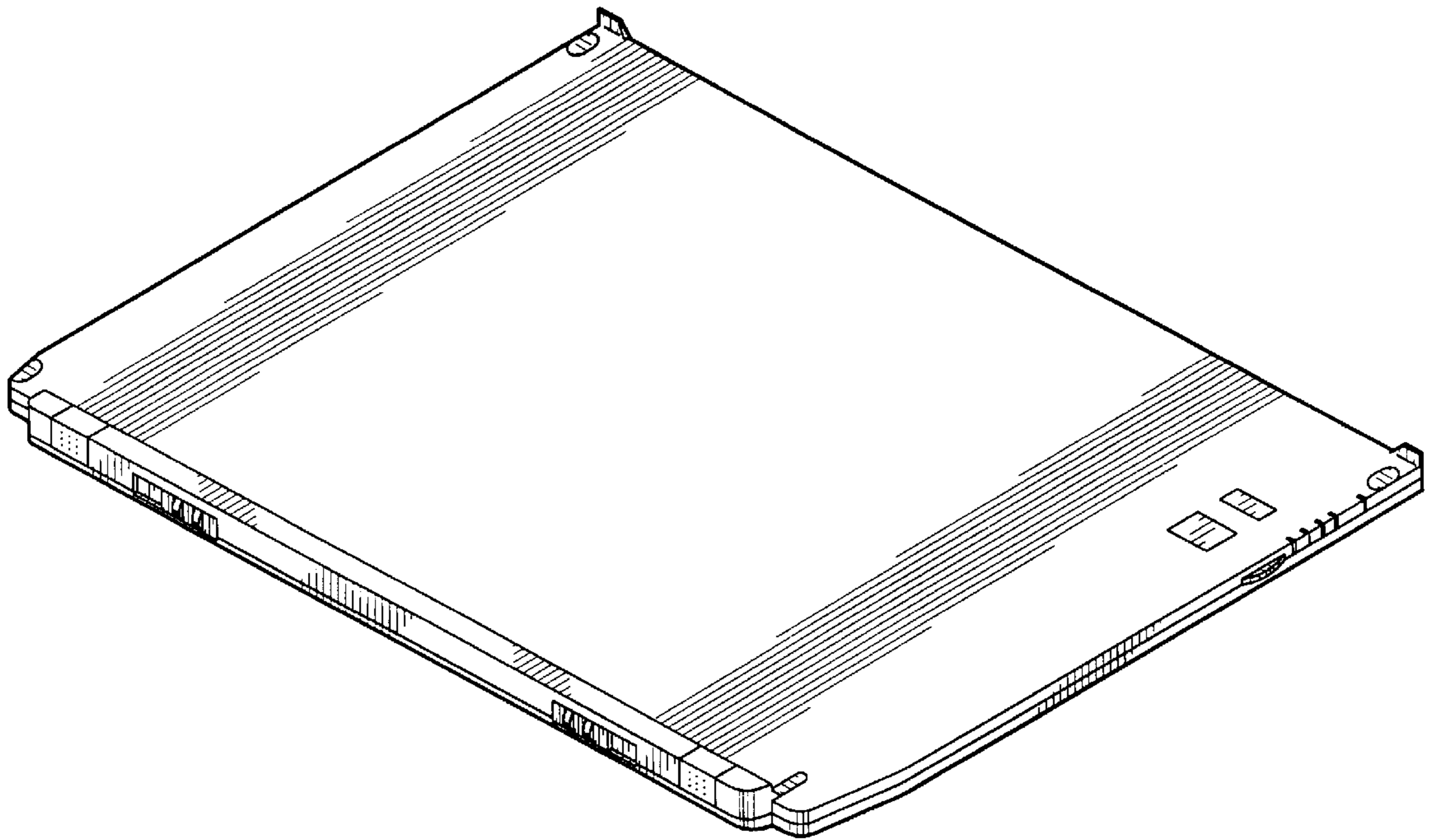
*FIG. 5*



*FIG. 6*



*FIG. 7*



*FIG. 8*

FIG. 9

