



US00D409972S

# United States Patent [19] Todd

[11] **Patent Number: Des. 409,972**

[45] **Date of Patent: \*\* May 18, 1999**

[54] **BOAT TOWER**

5,669,325 9/1997 Feikema ..... 114/343

[76] Inventor: **Robert Todd**, 1635 Minnesota Ave.,  
Winter Park, Fla. 32789

*Primary Examiner*—Kay H. Chin  
*Attorney, Agent, or Firm*—William M. Hobby, III

[\*\*] Term: **14 Years**

[57] **CLAIM**

[21] Appl. No.: **29/078,494**

The ornamental design for a boat tower, as shown and described.

[22] Filed: **Oct. 27, 1997**

### DESCRIPTION

[51] **LOC (6) Cl.** ..... **12-06**

[52] **U.S. Cl.** ..... **D12/318**

[58] **Field of Search** ..... D12/300–318;  
114/343, 210, 251

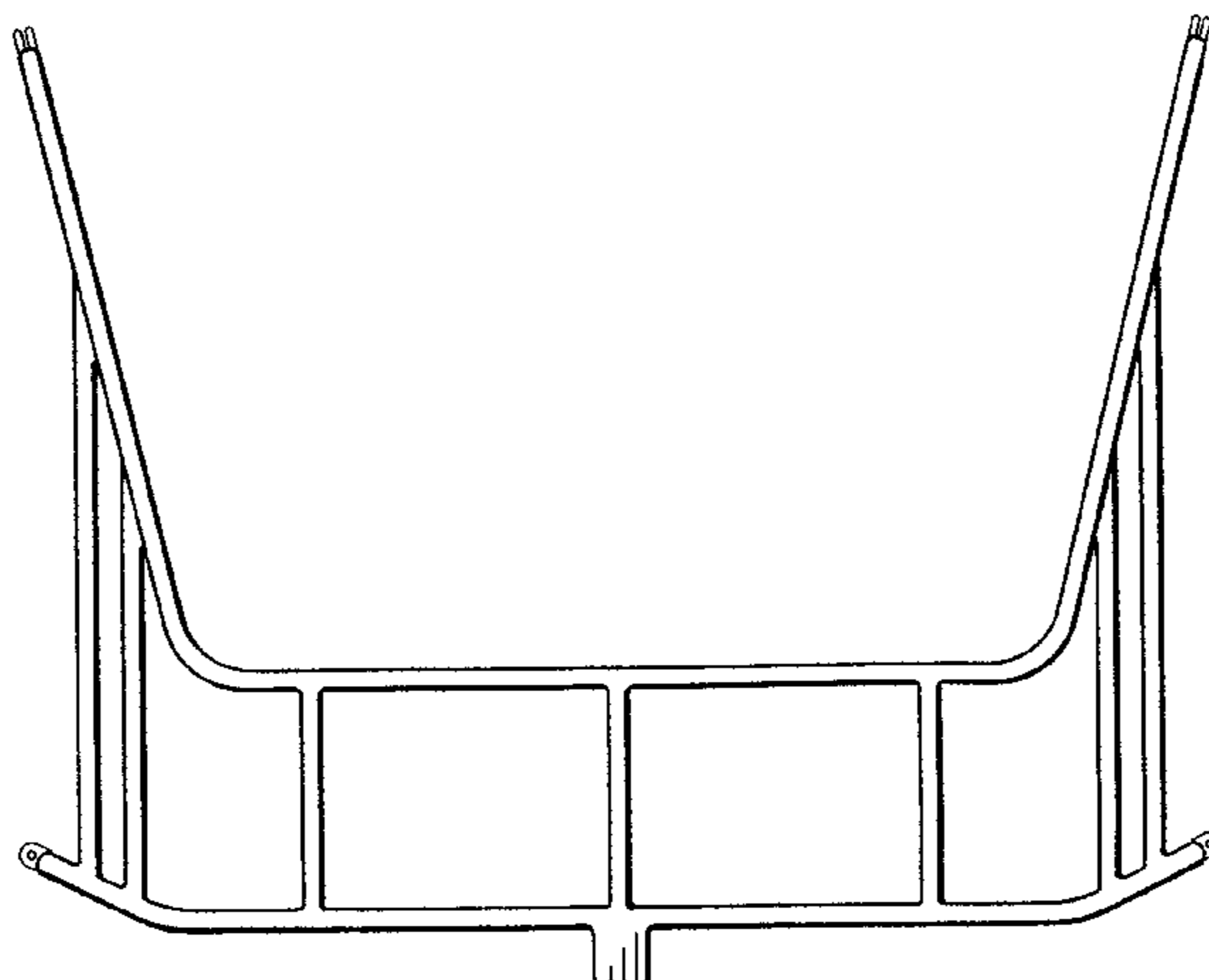
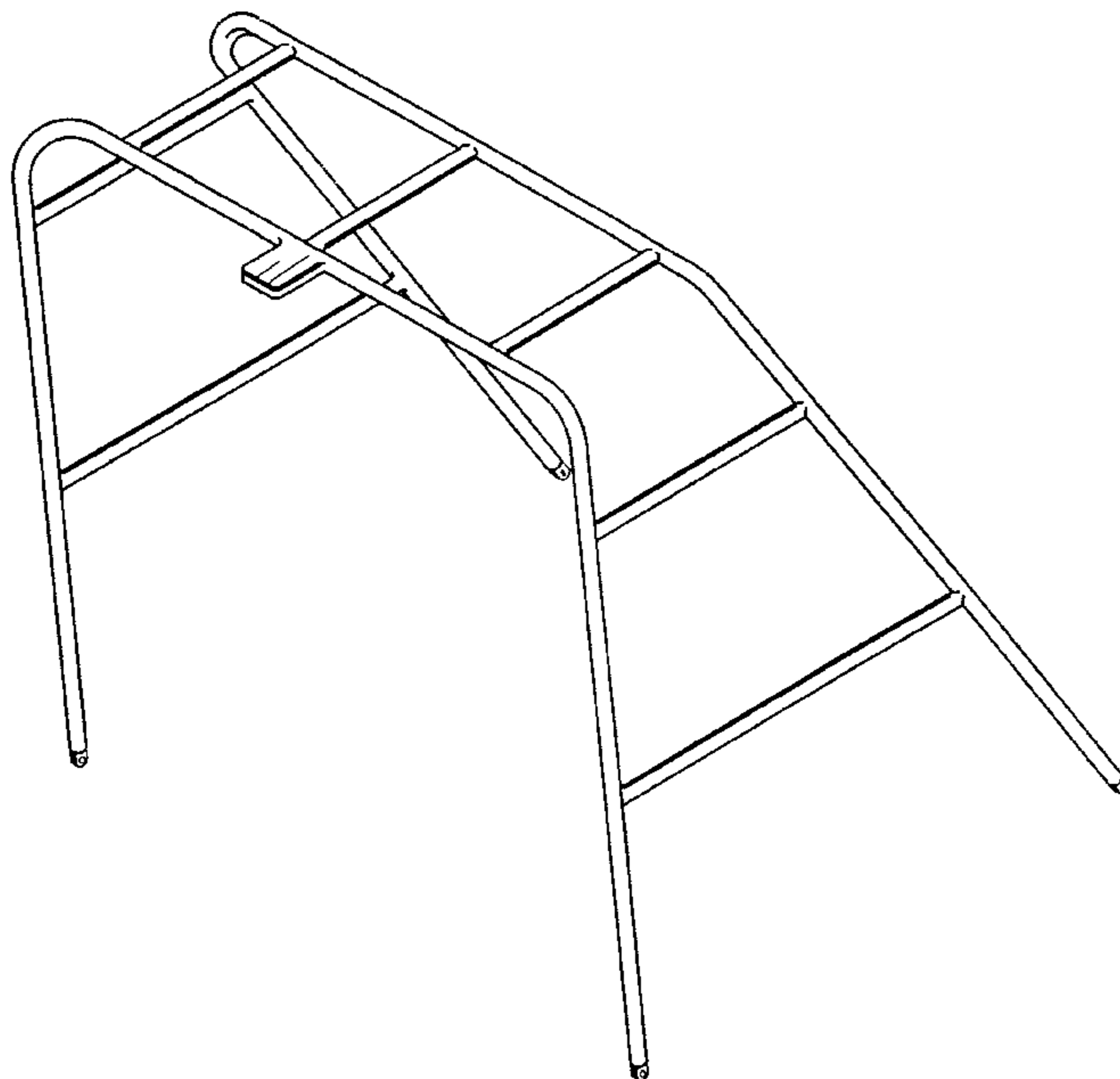
FIG. 1 is a top rear right side perspective view of my new boat tower;  
FIG. 2 is a right side elevation;  
FIG. 3 is a left side elevation;  
FIG. 4 is a top plan view;  
FIG. 5 is a rear elevation;  
FIG. 6 is a front elevation; and,  
FIG. 7 is a bottom plan view.

### [56] **References Cited**

#### U.S. PATENT DOCUMENTS

|            |        |               |       |         |
|------------|--------|---------------|-------|---------|
| D. 395,866 | 7/1998 | Fowler et al. | ..... | D12/317 |
| 3,935,830  | 2/1976 | Cox           | ..... | 114/210 |
| 4,593,641  | 6/1986 | Adams et al.  | ..... | 114/343 |

**1 Claim, 2 Drawing Sheets**



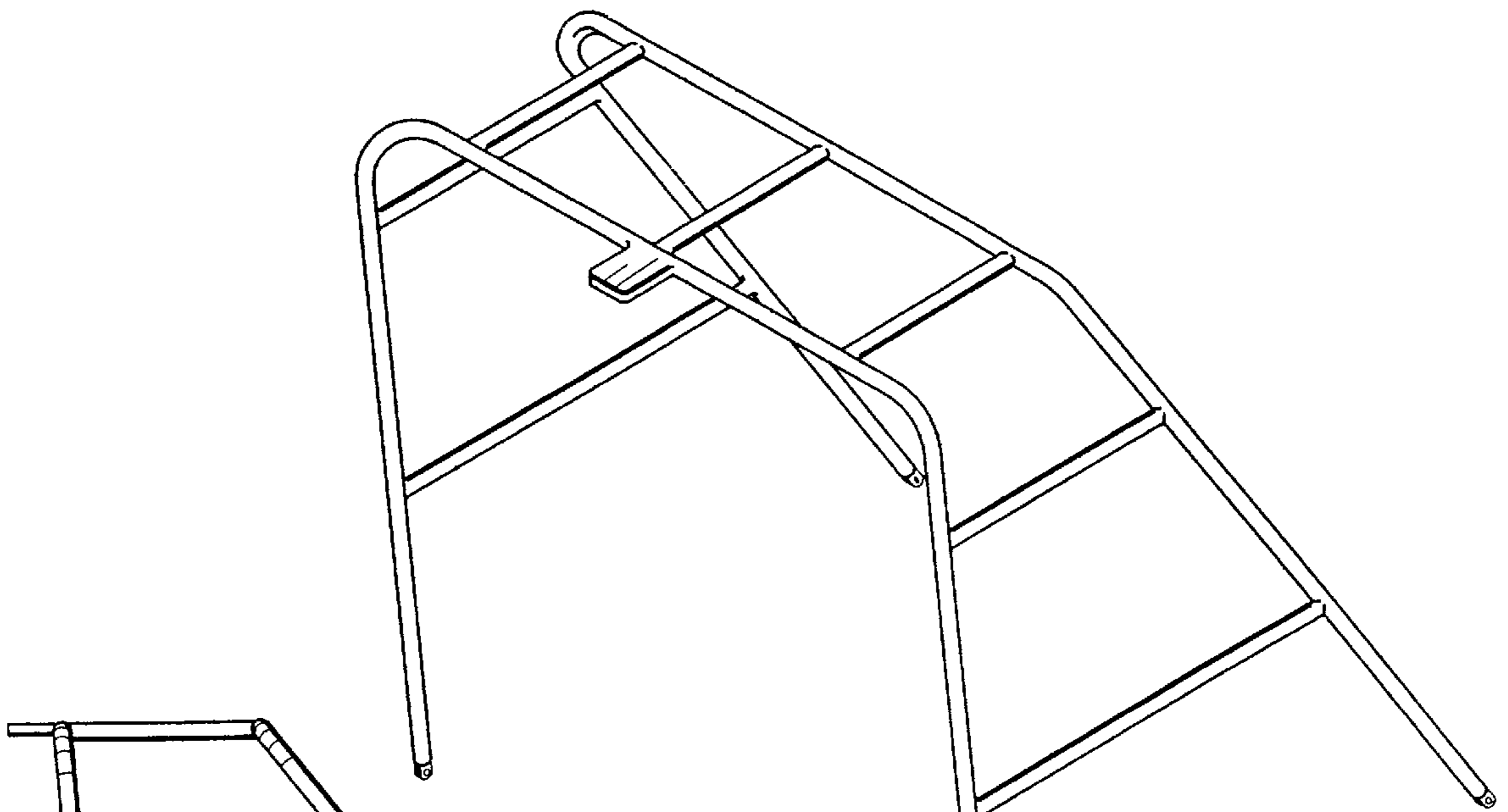


FIG. 1

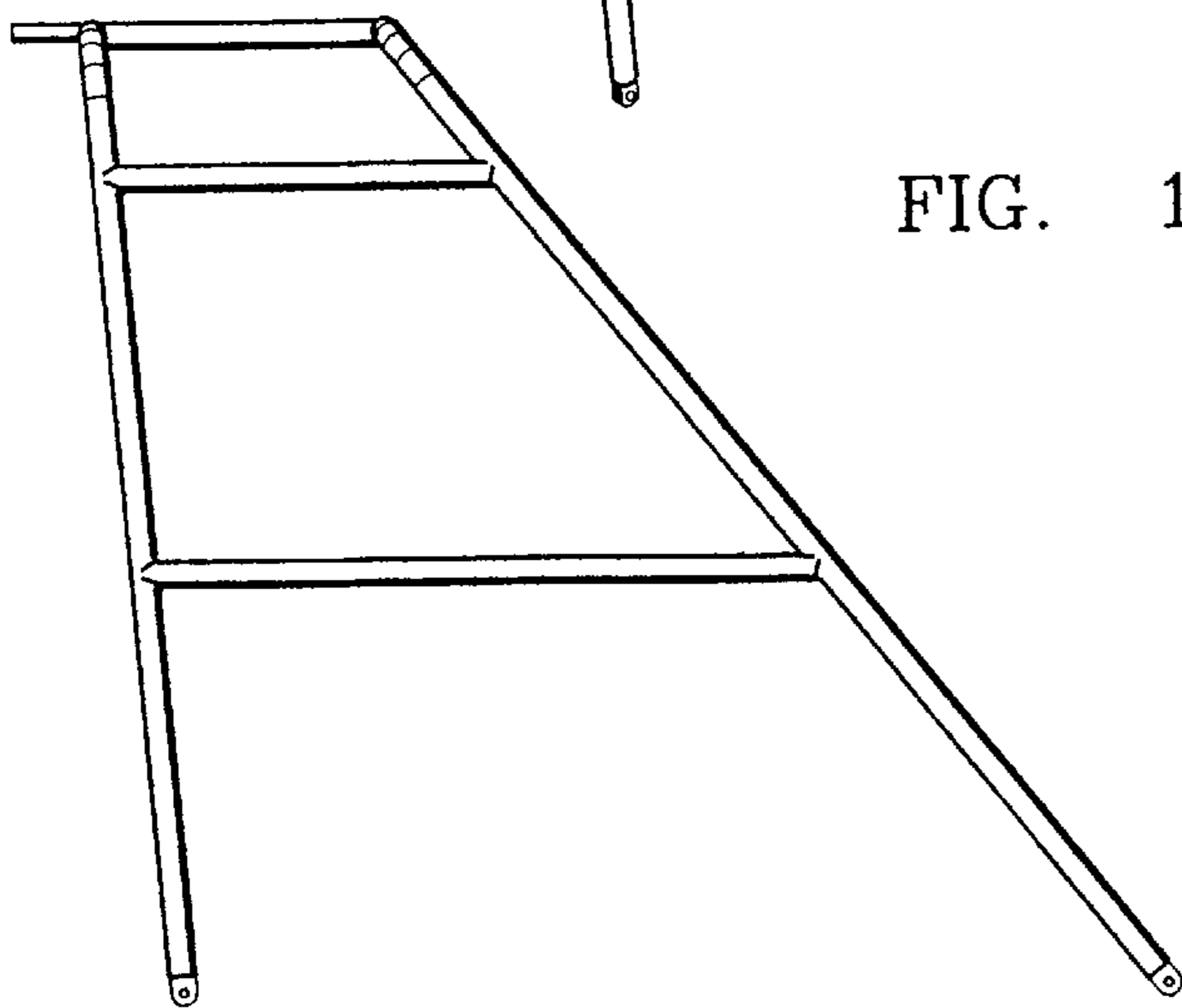


FIG. 2

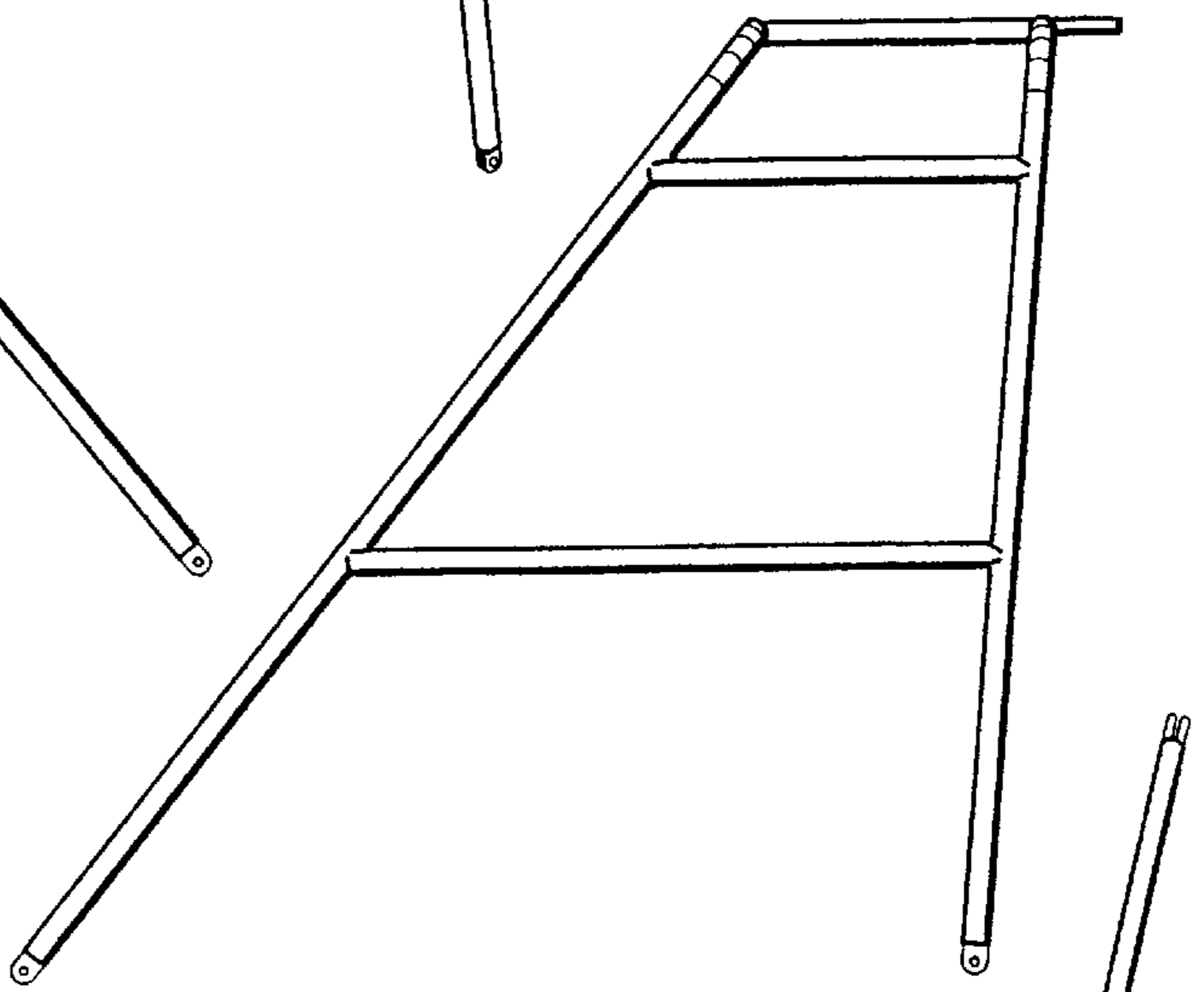
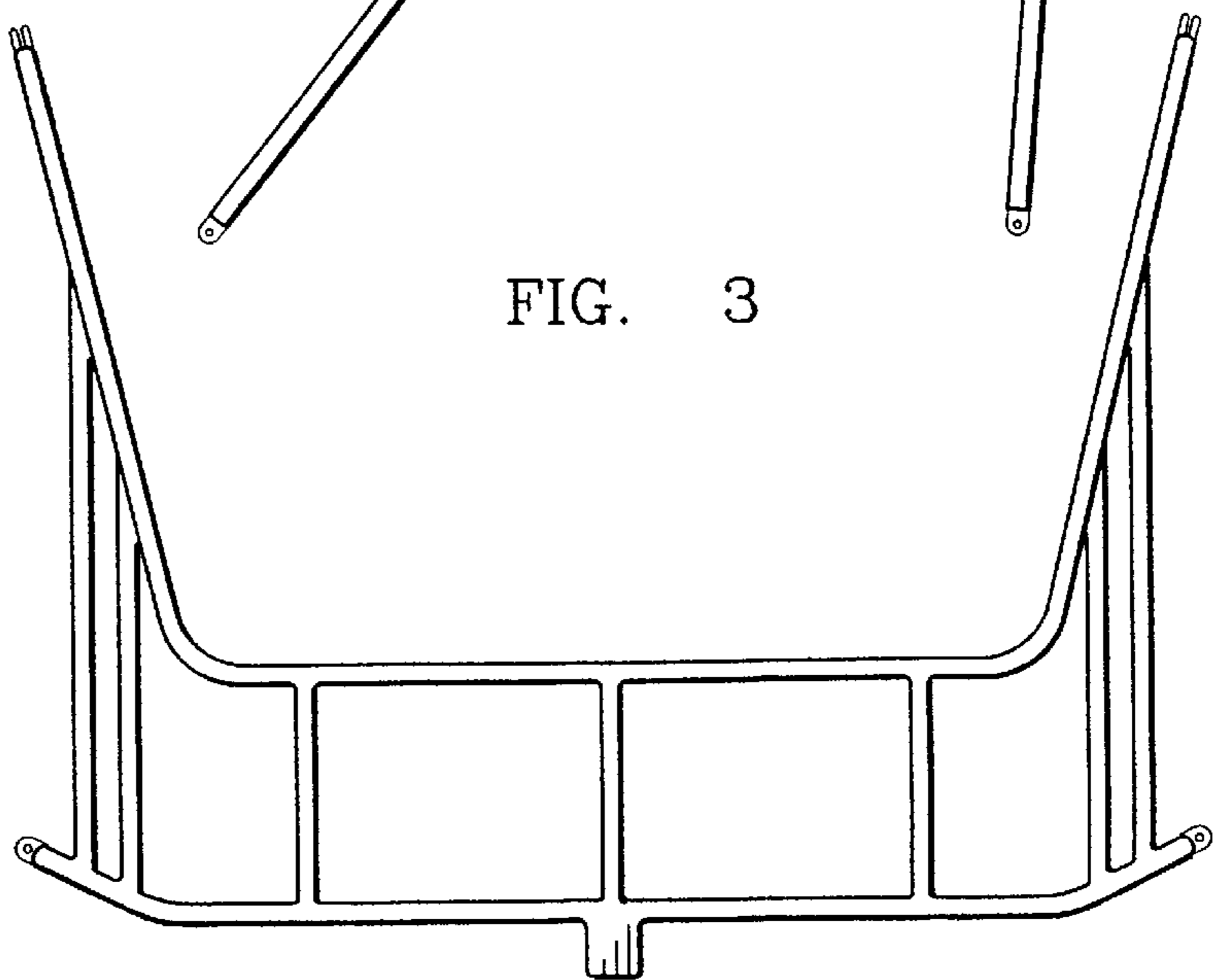


FIG. 3

FIG. 4



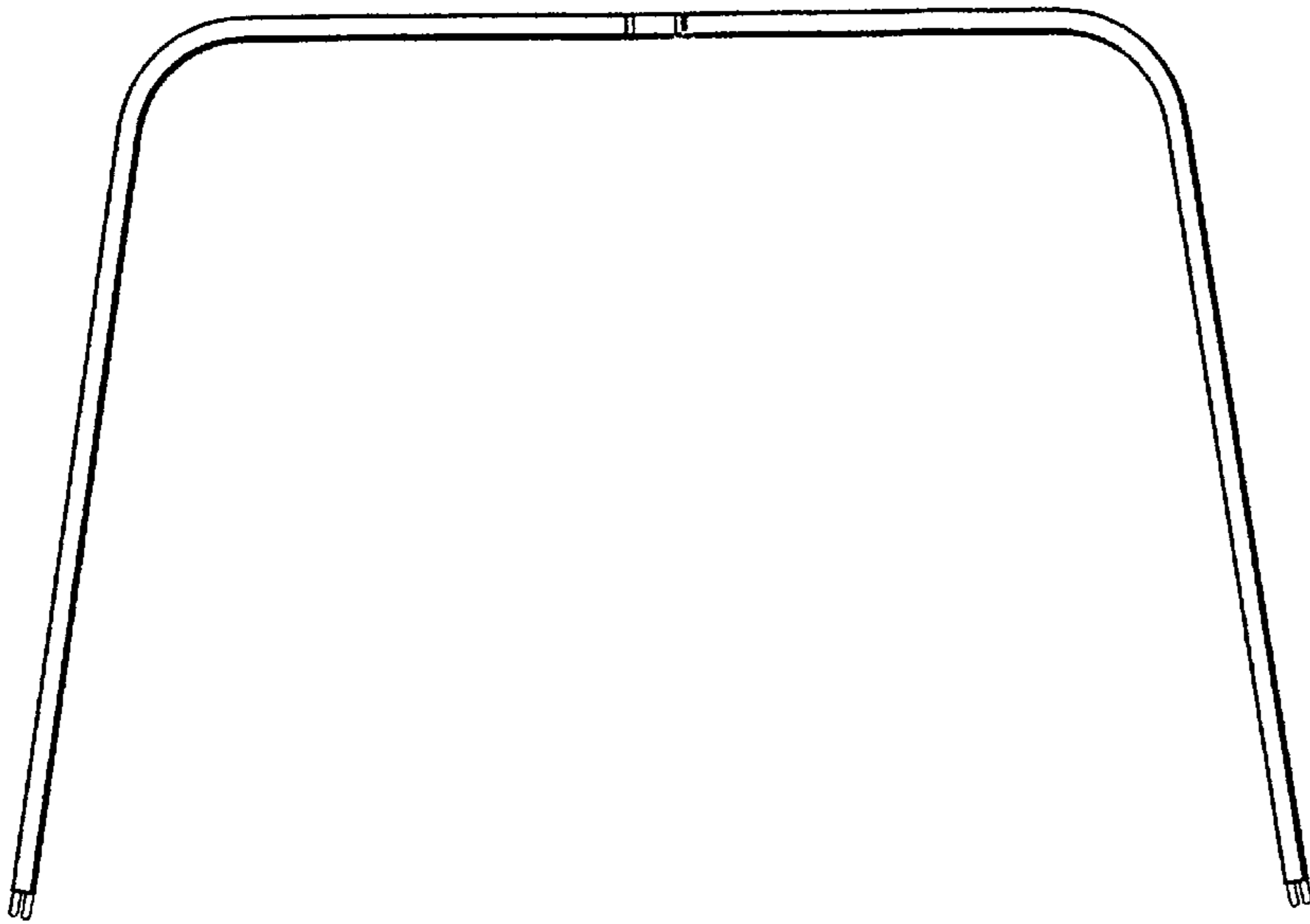


FIG. 5

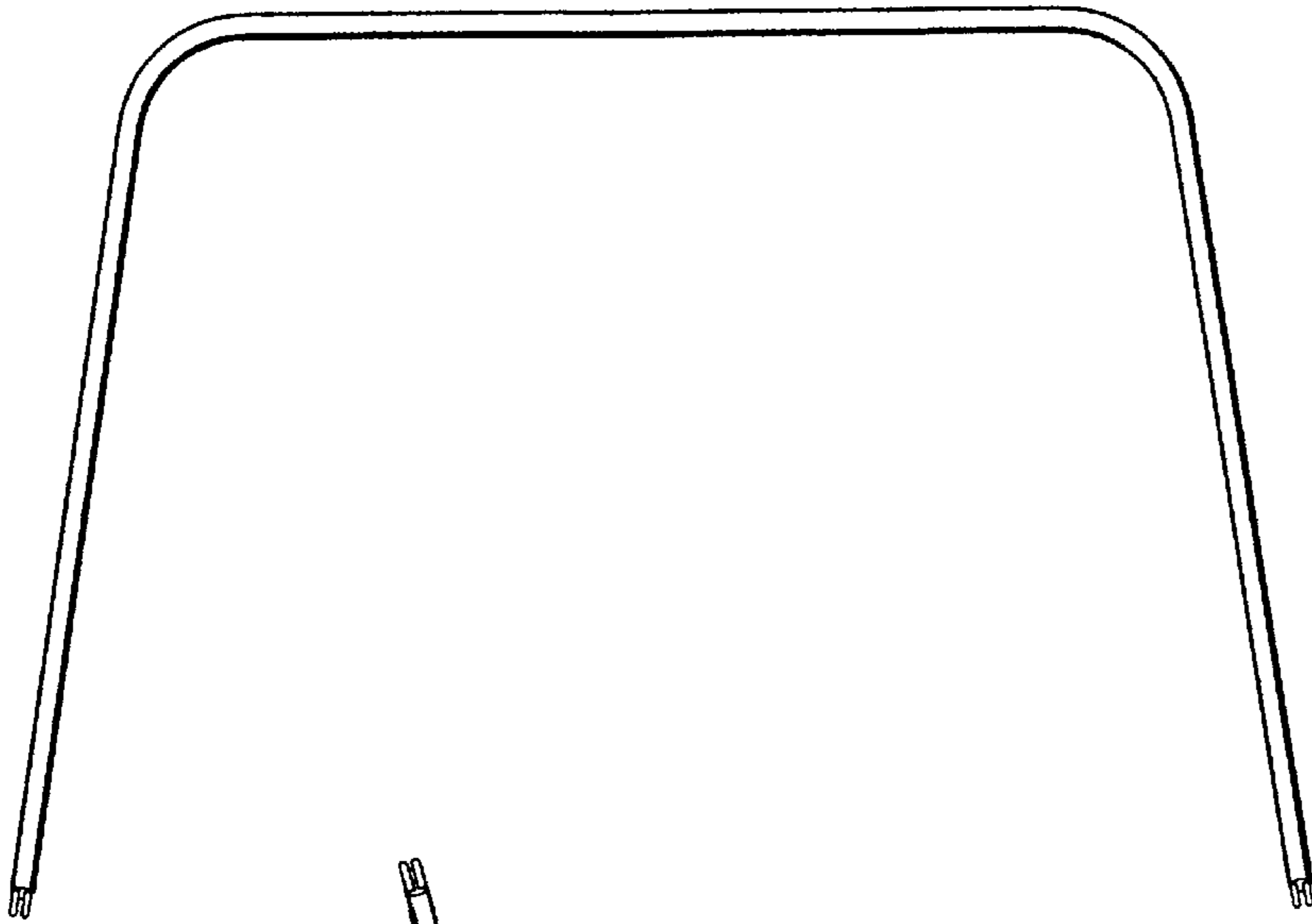


FIG. 6

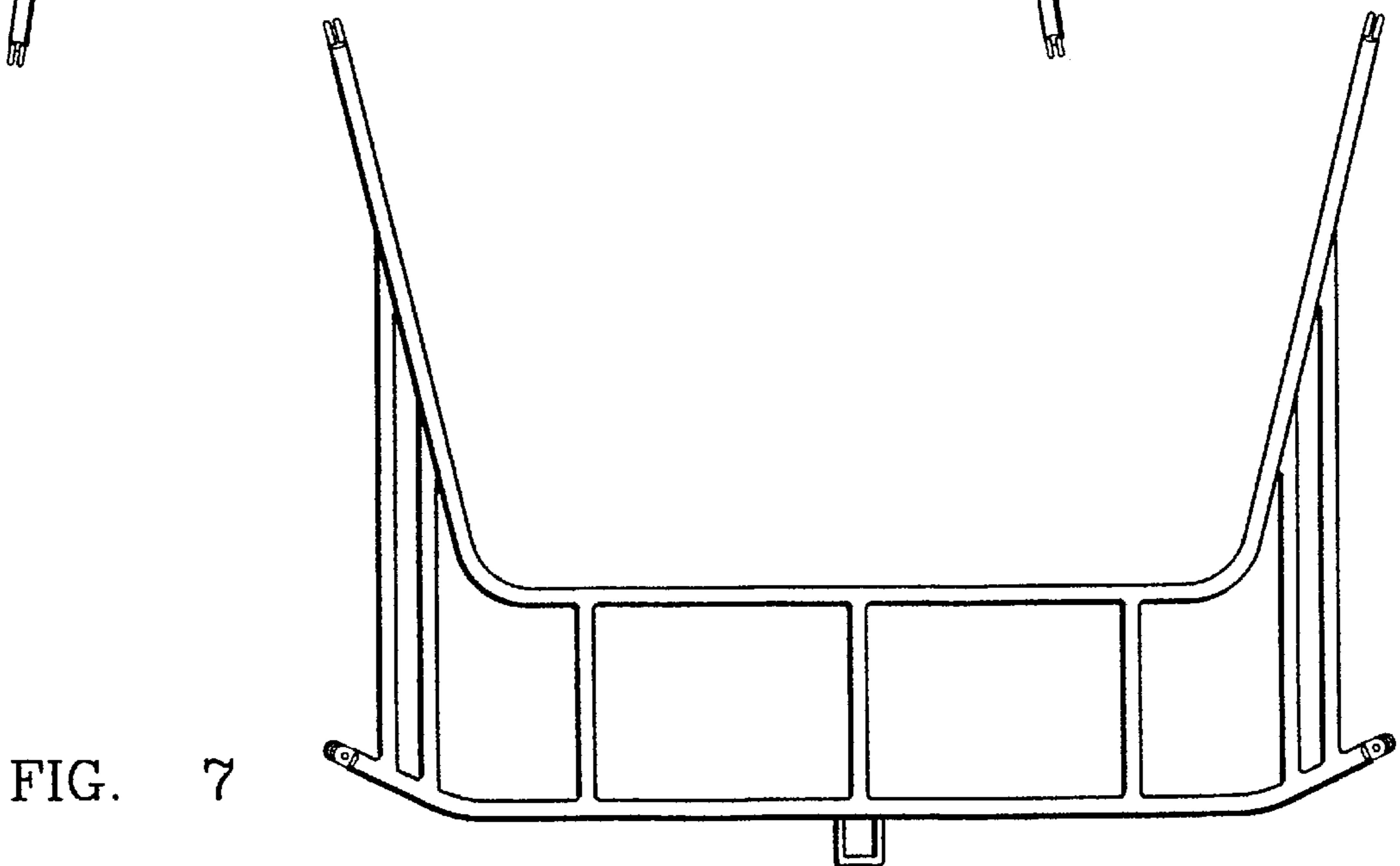


FIG. 7