



US00D409970S

# United States Patent [19]

Elsdon et al.

[11] Patent Number: **Des. 409,970**

[45] Date of Patent: **\*\* May 18, 1999**

[54] **FILL NECK FOR A FUEL TANK**

[75] Inventors: **Stanley Robert Elsdon**, Etobicoke;  
**Gordon Elford Fairles**, Toronto; **Gary Wilson Hunt**, Waterdown, all of Canada

[73] Assignee: **Emco Wheaton Fleet Fueling Corp.**, Oakville, Canada

[\*\*] Term: **14 Years**

[21] Appl. No.: **29/078,424**

[22] Filed: **Oct. 24, 1997**

[30] **Foreign Application Priority Data**

May 1, 1997 [CA] Canada ..... 19971112

[51] **LOC (6) Cl.** ..... **12-06**

[52] **U.S. Cl.** ..... **D12/218**

[58] **Field of Search** ..... D12/218; 280/833-835;  
270/86.1, 86.2; D23/206; 73/327

[56] **References Cited**

**U.S. PATENT DOCUMENTS**

D. 236,714 9/1975 Kubik ..... D23/206  
D. 262,956 2/1982 McNab et al. .... D12/218  
1,477,728 12/1923 Stephenson ..... 220/862

*Primary Examiner*—Melody N. Brown  
*Attorney, Agent, or Firm*—Evenson, McKeown, Edwards & Lenahan, P.L.L.C.

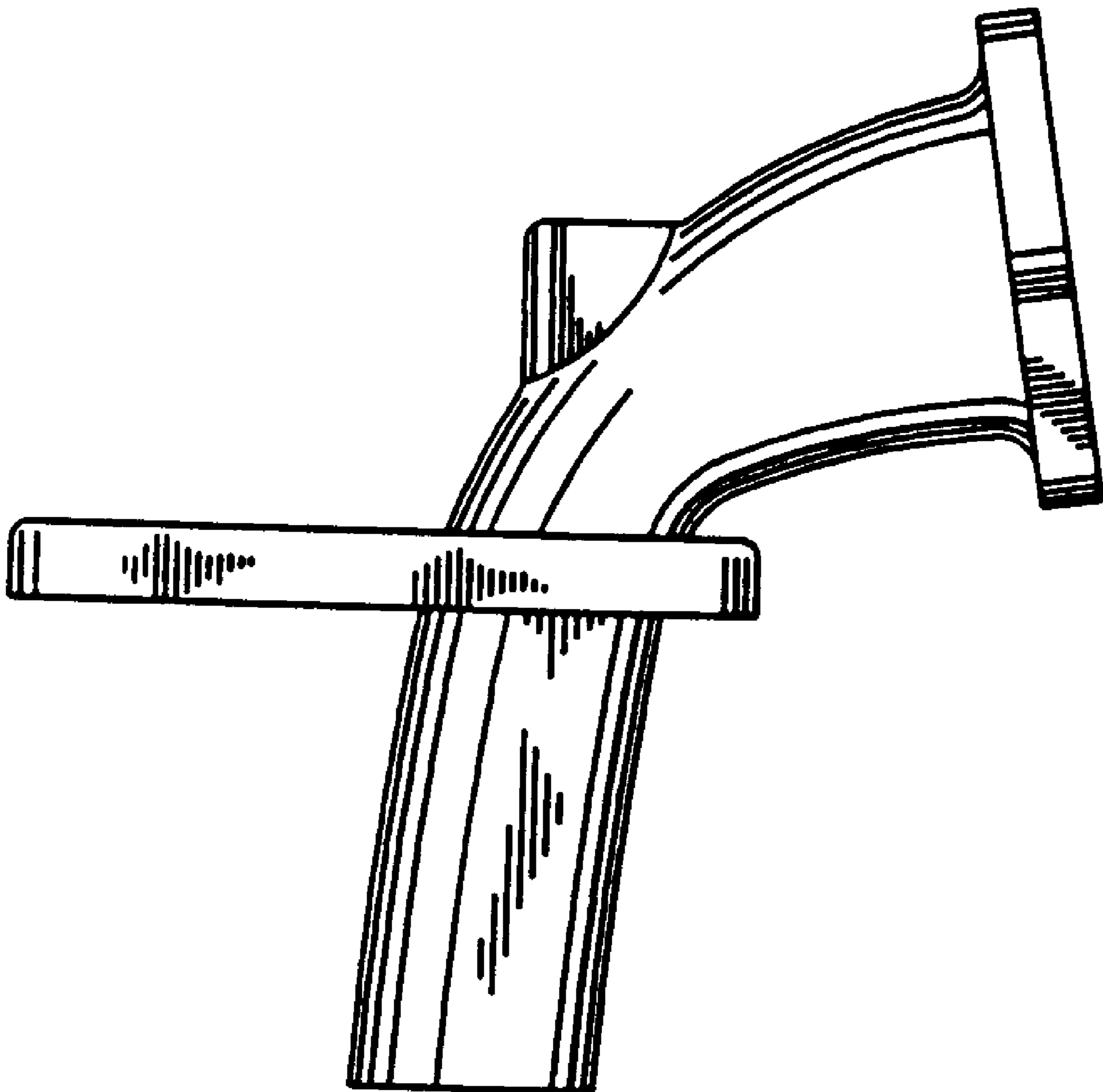
[57] **CLAIM**

The ornamental design for a fill neck for a fuel tank, as shown and described.

**DESCRIPTION**

FIG. 1 is a side view of an ornamental design for a fill neck for a fuel tank according to the invention; FIG. 2 is a bottom view of the design of FIG. 1; FIG. 3 is a front view of the design of FIG. 1; FIG. 4 is a top view of the design of FIG. 1; and, FIG. 5 is a back view of the design of FIG. 1.

**1 Claim, 2 Drawing Sheets**



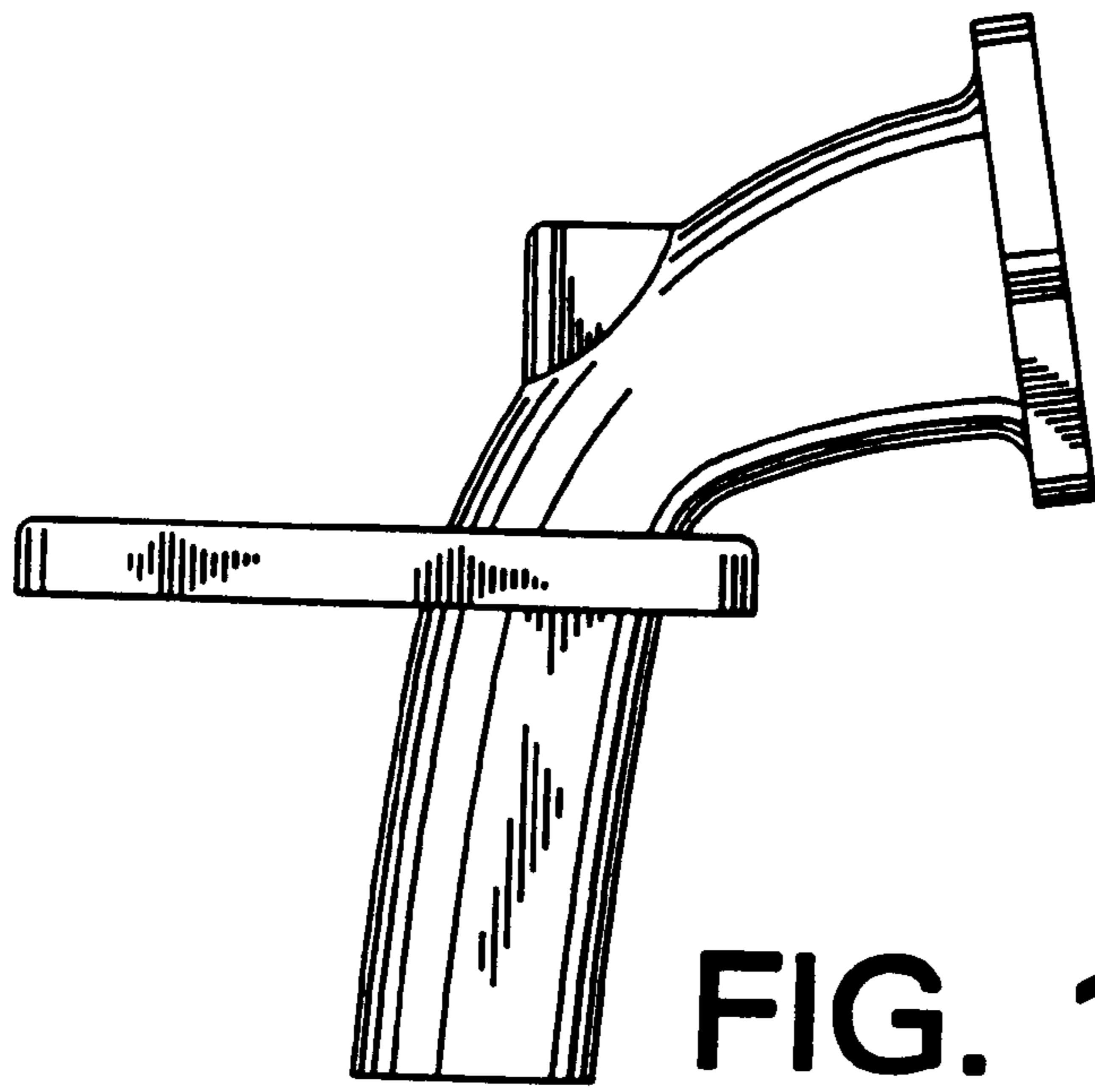


FIG. 1

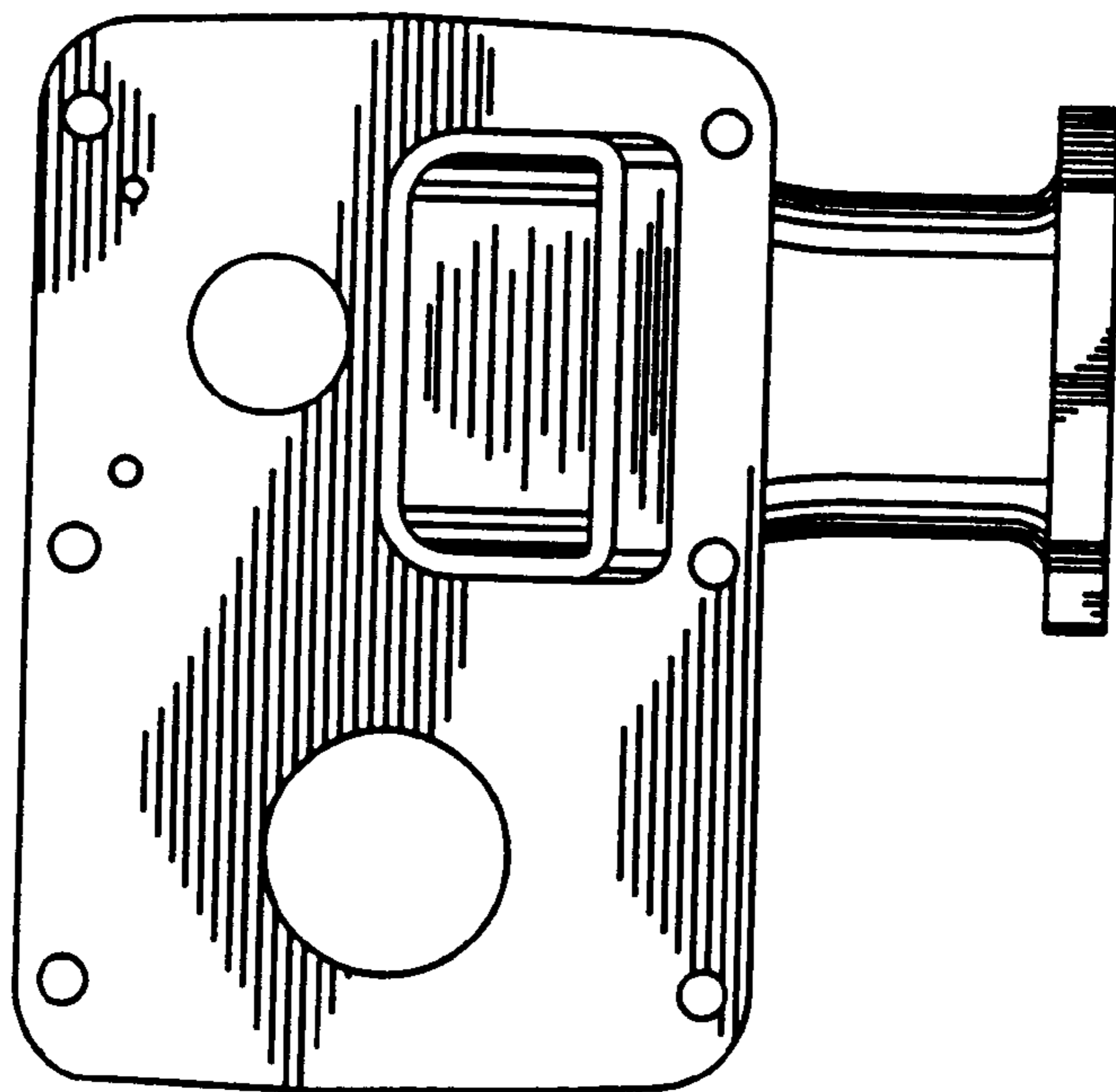


FIG. 2

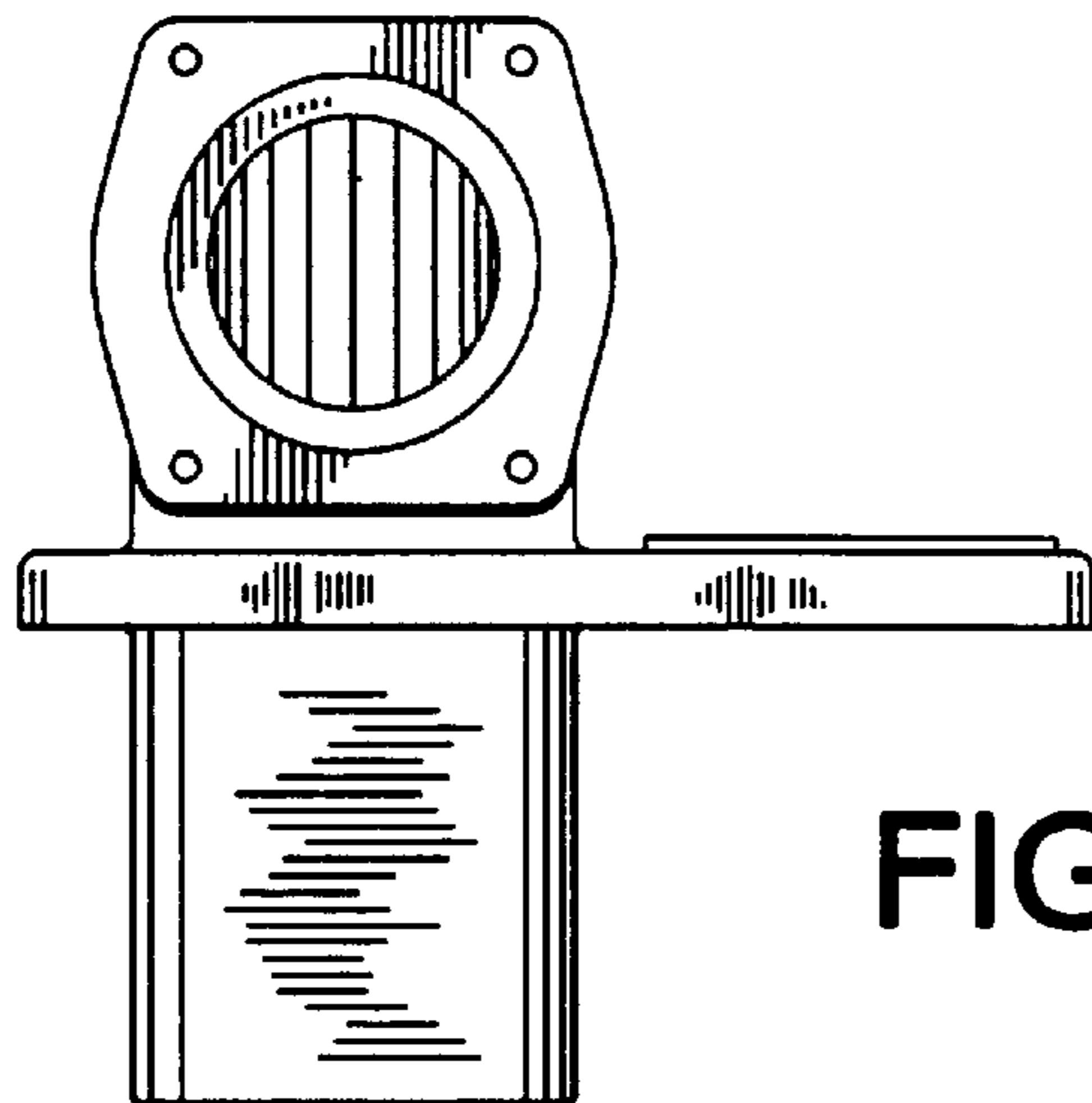


FIG. 3

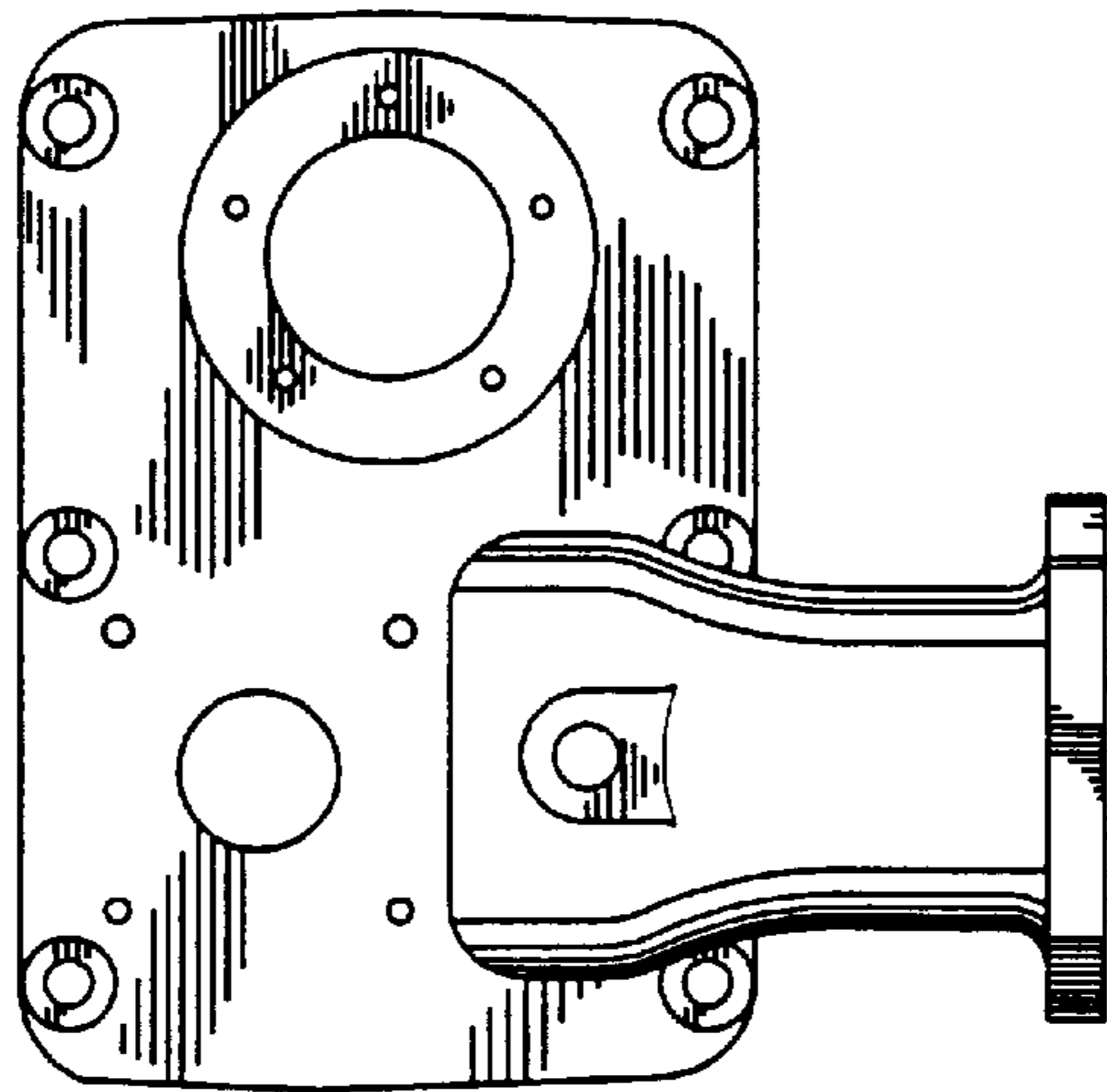


FIG. 4

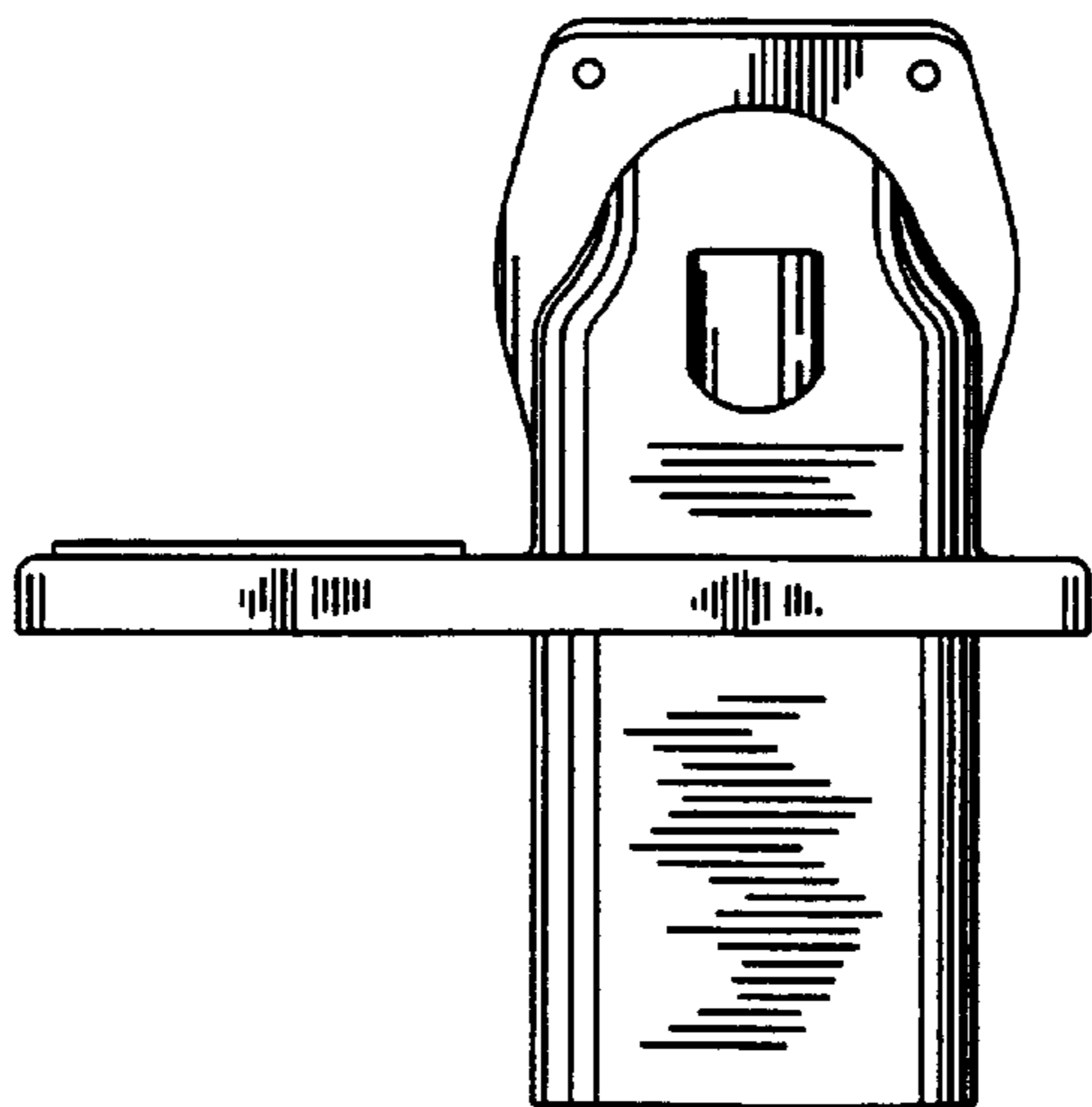


FIG. 5