



US00D409968S

United States Patent [19] Goplen

[11] **Patent Number: Des. 409,968**

[45] **Date of Patent: ** May 18, 1999**

[54] **FRONT SIDE OF A WHEEL FOR A MOTOR VEHICLE**

[75] Inventor: **Erik Goplen**, Munich, Germany

[73] Assignee: **Bayerische Motoren Werke Aktiengesellschaft**, Munich, Germany

[**] Term: **14 Years**

[21] Appl. No.: **29/076,987**

[22] Filed: **Sep. 22, 1997**

[30] **Foreign Application Priority Data**

Mar. 20, 1997 [DE] Germany 97 02 903

[51] **LOC (6) Cl.** **12-16**

[52] **U.S. Cl.** **D12/211**

[58] **Field of Search** D12/204-213;
301/64.1, 65, 37.1

[56] **References Cited**

U.S. PATENT DOCUMENTS

D. 56,897 1/1921 Stothoff D12/211

D. 84,322	6/1931	Beutke et al.	D12/211
D. 260,874	9/1981	Reppert	D12/209
D. 360,179	7/1995	Fuller	D12/211
D. 363,912	11/1995	Chung	D12/209
D. 373,562	9/1996	Cole	D12/211
D. 377,563	1/1997	Boselli	D12/209
D. 388,047	12/1997	Pfeiffer et al.	D12/211

Primary Examiner—Doris V. Coles
Assistant Examiner—Stacia Sinuik
Attorney, Agent, or Firm—Evenson, McKeown, Edwards & Lenahan, PLLC

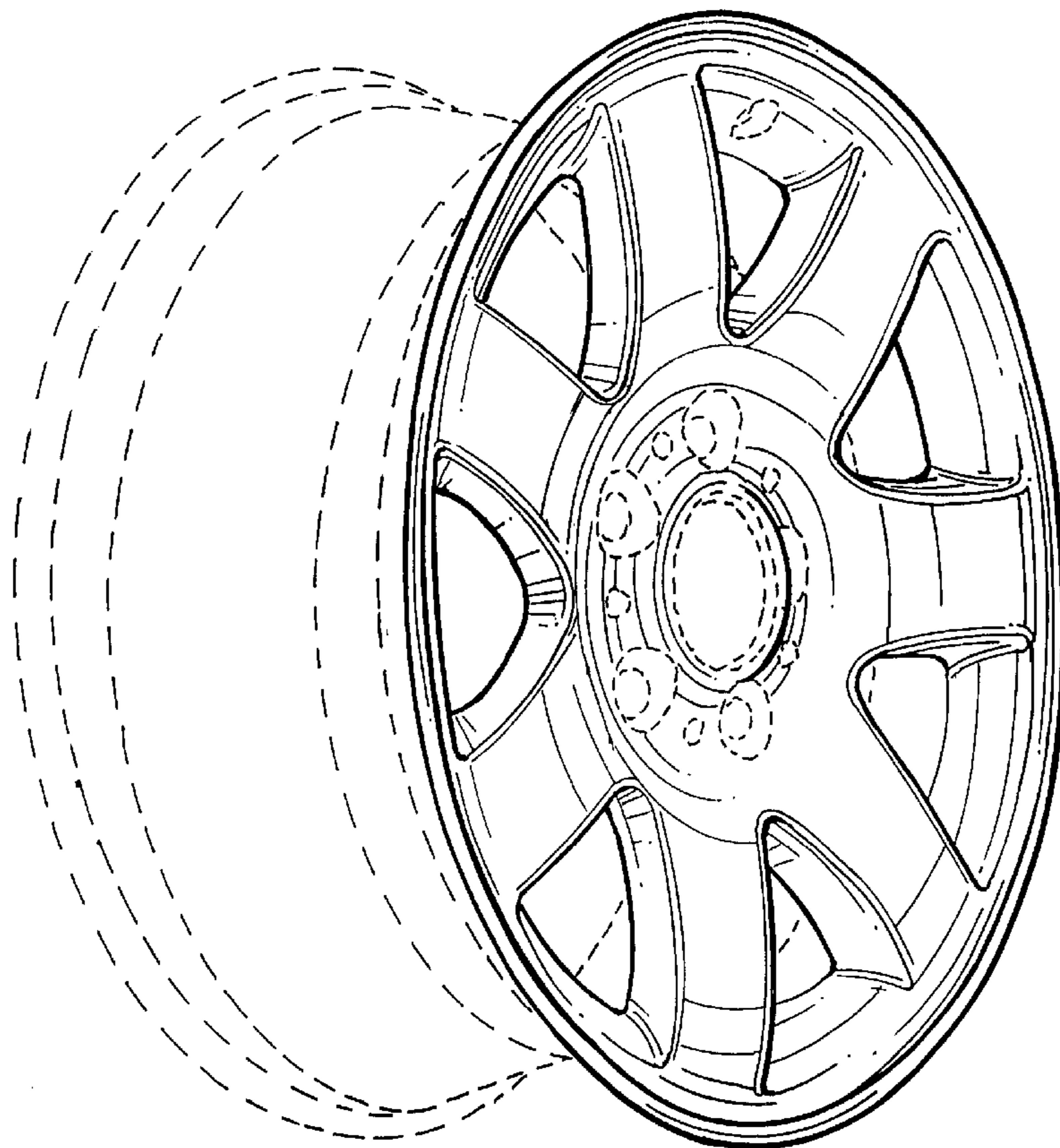
[57] **CLAIM**

The ornamental design for a front side of a wheel for a motor vehicle, as shown and described.

DESCRIPTION

FIG. 1 is a front elevation view of a front side of a wheel for a motor vehicle according to my novel design; and, FIG. 2 is a perspective view of a front side of a wheel for a motor vehicle according to my novel design. Features shown in dash lines depict the environment and do not form part of the claimed design.

1 Claim, 1 Drawing Sheet



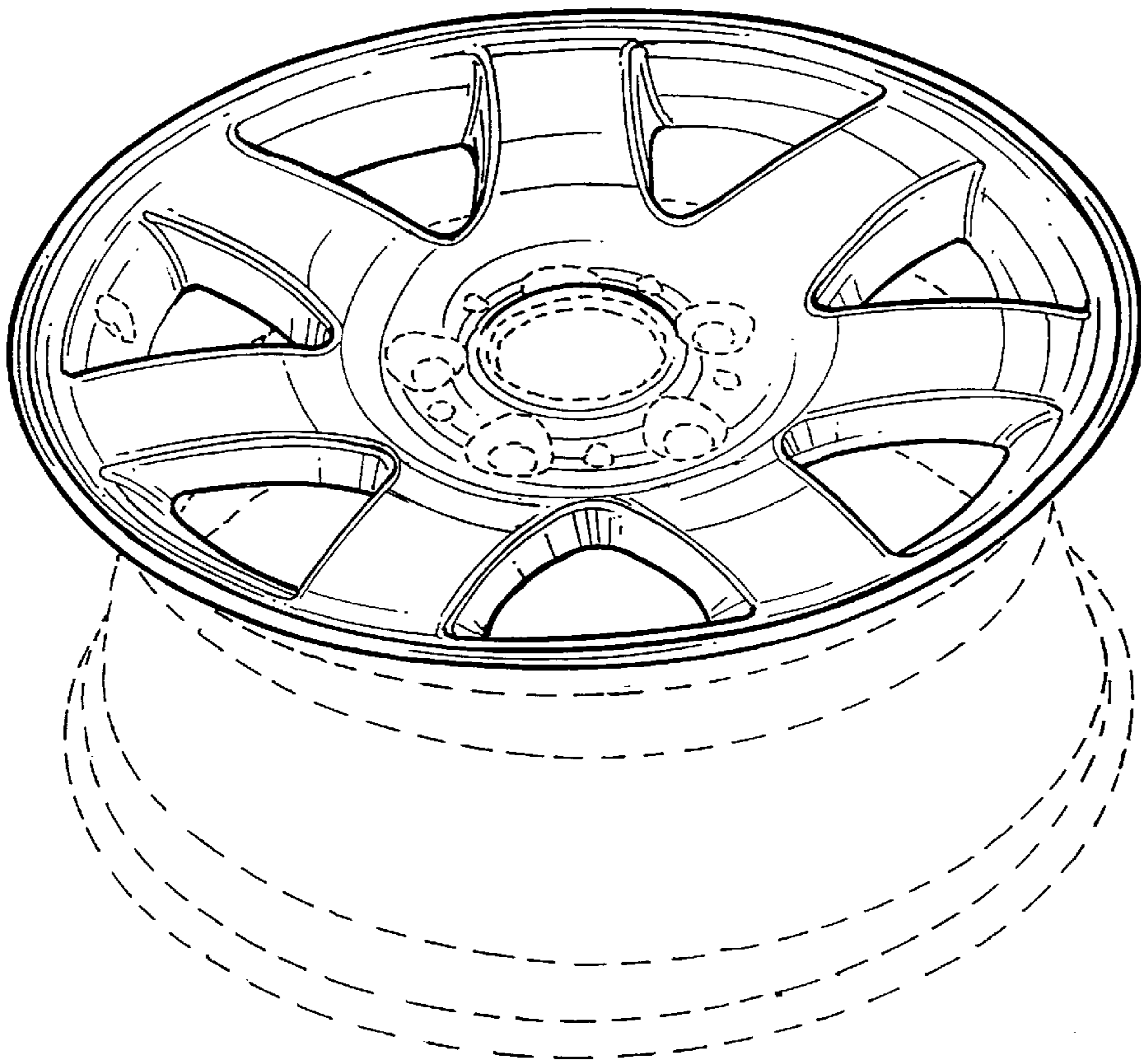


FIG. 2

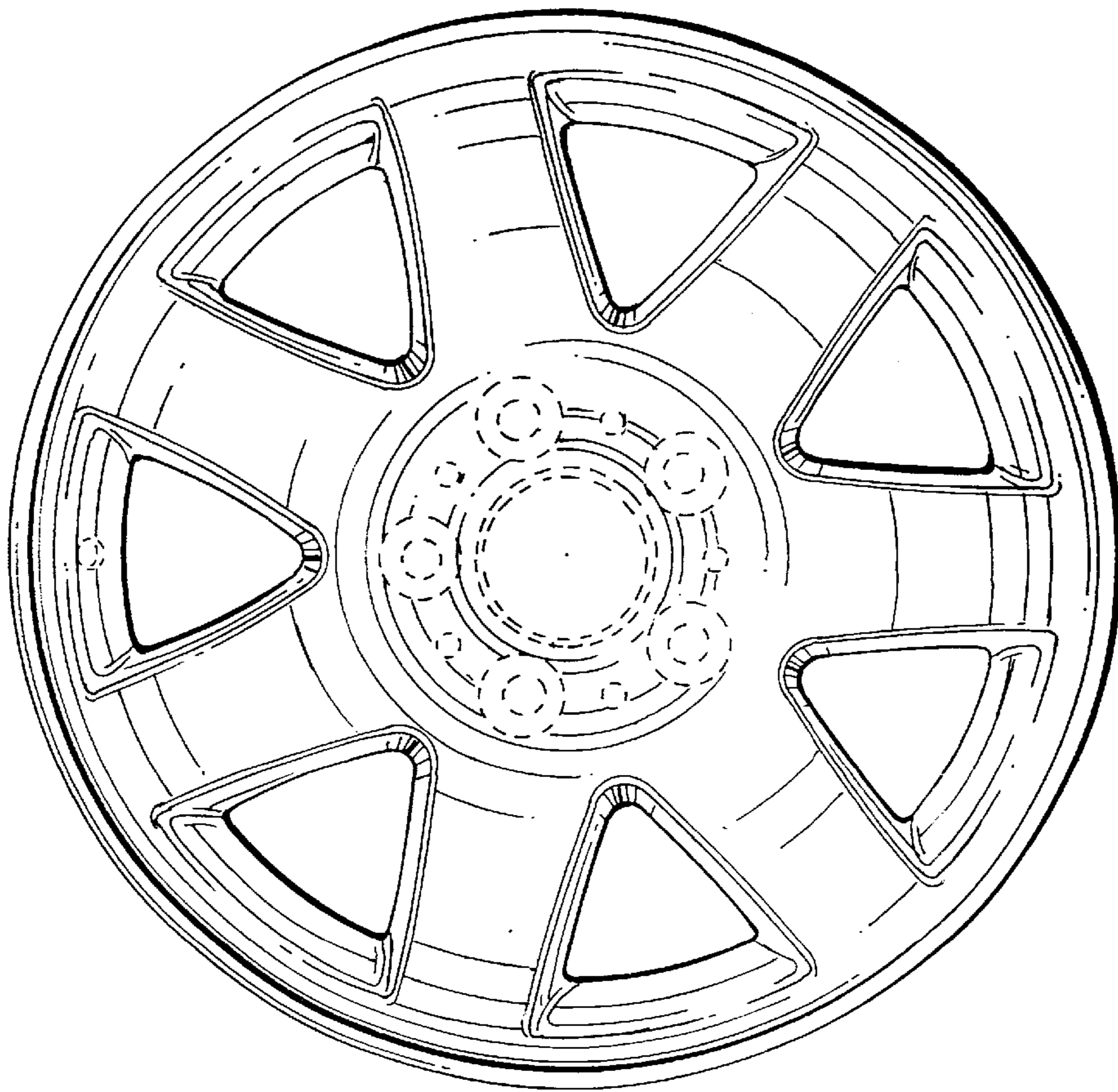


FIG. 1