



US00D409965S

United States Patent [19]

Mueller et al.

[11] Patent Number: Des. 409,965

[45] Date of Patent: ** May 18, 1999

[54] INTERIOR OF A TRUCK DOOR PANEL

5,822,927 10/1998 Hellenkamp et al. 49/502

[75] Inventors: **Franz Mueller**, Fort Wayne, Ind.;
Richard A. Schumann, Boyne City,
Mich.; **Robert S. Tirey**, Fort Wayne;
Robert M. Zimmerman, Kendalville,
both of Ind.

[73] Assignee: **Navistar International Transportation Corp**, Chicago, Ill.

[**] Term: **14 Years**

[21] Appl. No.: **29/080,492**

[22] Filed: **Dec. 10, 1997**

[51] LOC (6) Cl. **12-16**

[52] U.S. Cl. **D12/195**

[58] Field of Search D12/190, 195;
49/501, 502; 296/37.13, 146.1, 149, 153

[56] **References Cited**

U.S. PATENT DOCUMENTS

D. 319,812	9/1991	Tisten et al.	D12/195
D. 382,528	8/1997	Hellhake et al.	D12/195
D. 387,024	12/1997	Hellhake et al.	D12/195
3,782,036	1/1974	Clark et al.	49/502
5,542,738	8/1996	Walker et al.	49/502
5,584,144	12/1996	Hisano	296/153

OTHER PUBLICATIONS

Navistar International, Transportation Corp. Brochure No. AD-42546C, '4000 Series Trucks', Navistar International Transportation Corp. (1998), Chicago, IL.

Primary Examiner—Robert M. Spear
Attorney, Agent, or Firm—Dennis K. Sullivan; Jeffrey P. Calfa

[57] **CLAIM**

The ornamental design for an interior of a truck door panel, as shown and described.

DESCRIPTION

FIG. 1 is a perspective view of an interior of a truck door panel showing our new design;
FIG. 2 is a front view of the embodiment of the invention shown in FIG. 1;
FIG. 3 is a rear view of the embodiment of the invention shown in FIG. 1;
FIG. 4 is a top view of the embodiment of the invention shown in FIG. 1;
FIG. 5 is a side view of the embodiment of the invention shown in FIG. 1; and,
FIG. 6 is a bottom view of the embodiment of the invention shown in FIG. 1.

1 Claim, 2 Drawing Sheets

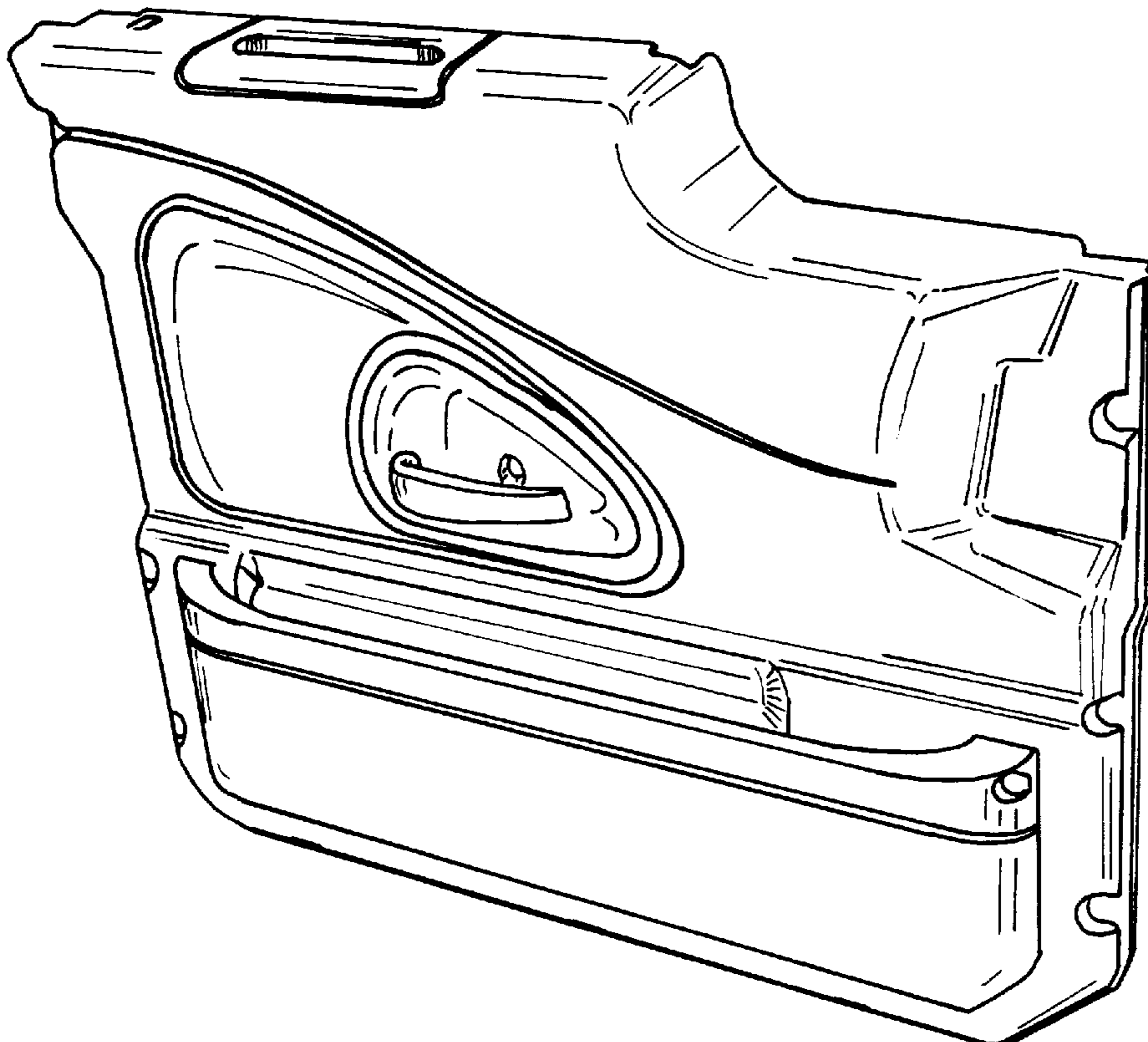


FIG. 1

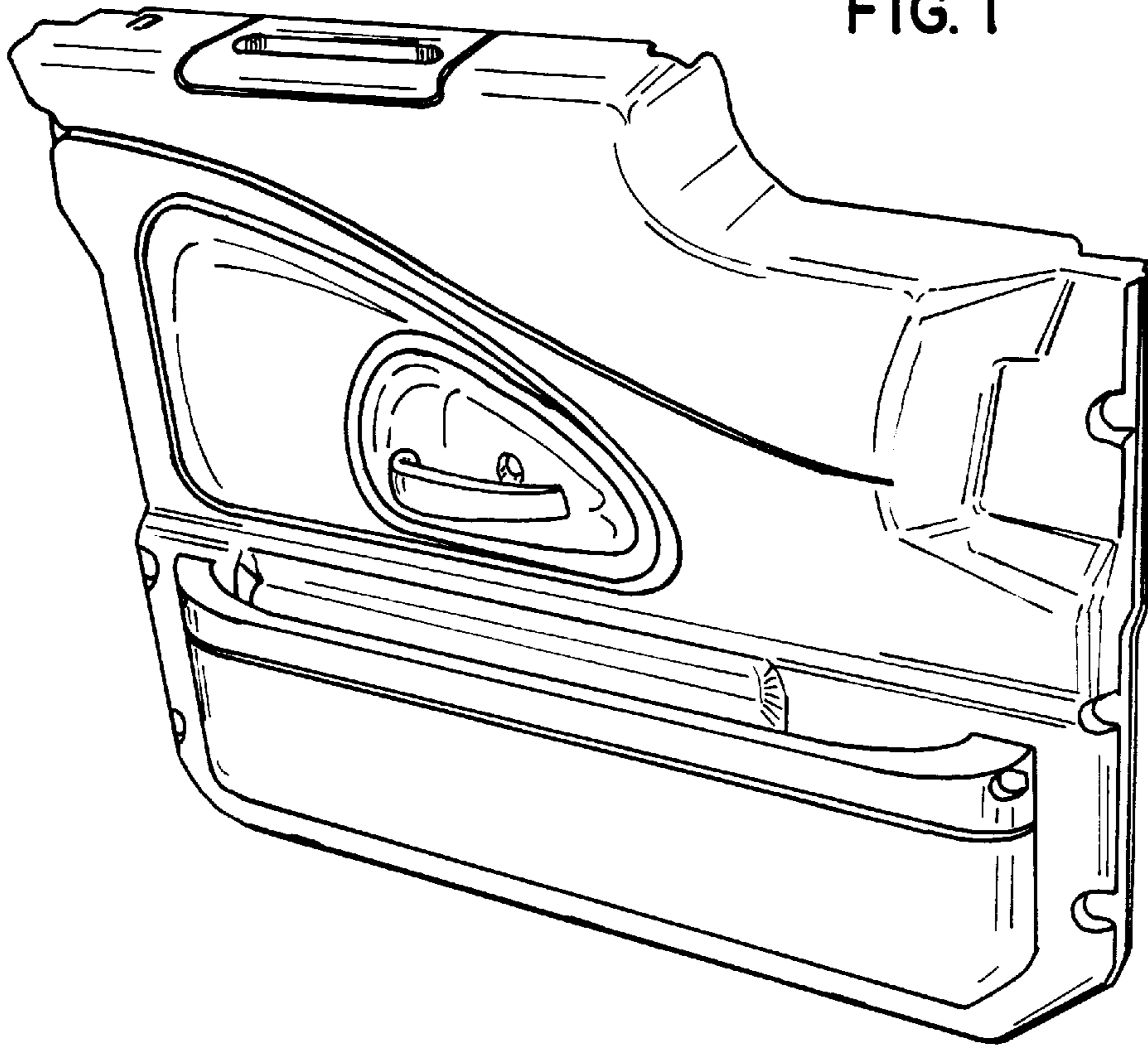


FIG. 2

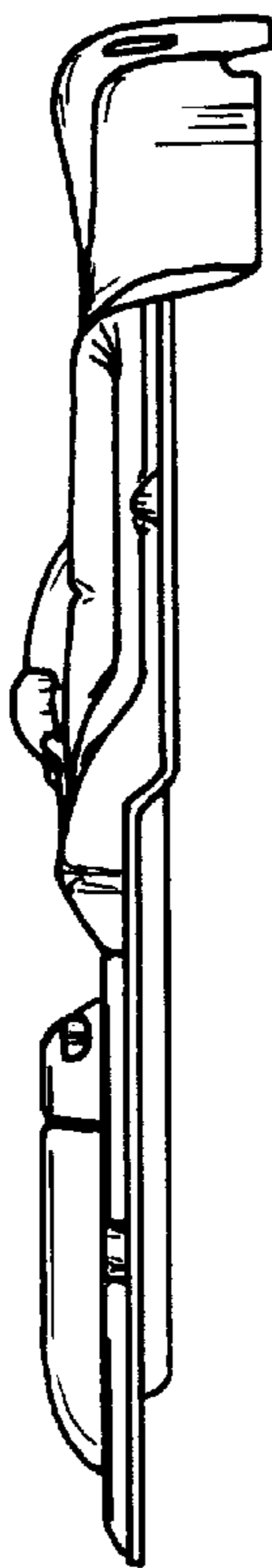


FIG. 3



FIG. 4

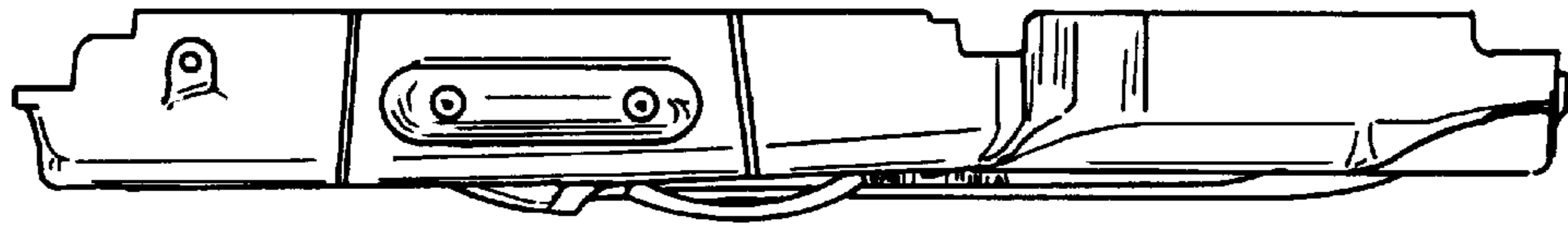


FIG. 5

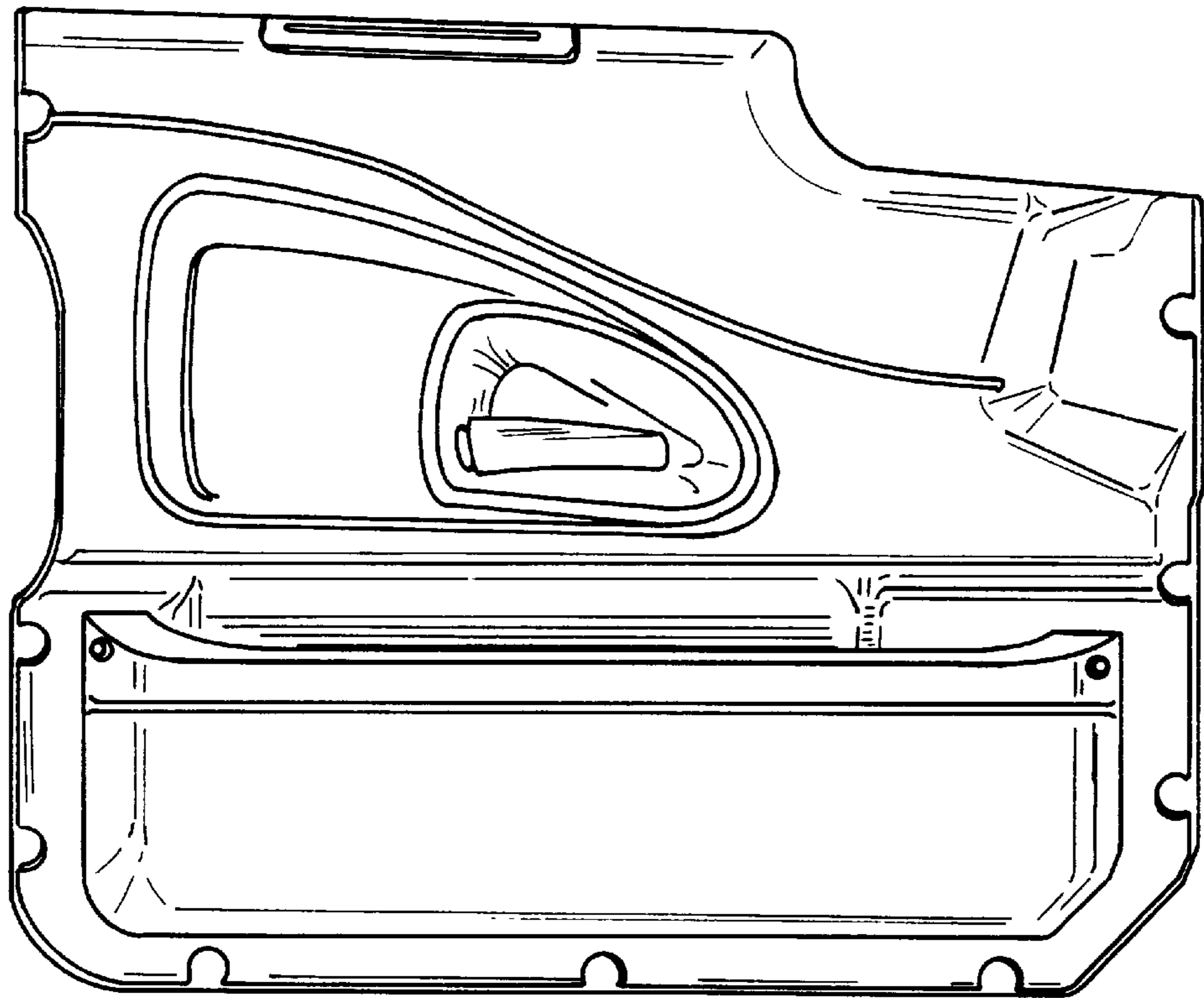


FIG. 6

