



US00D409960S

United States Patent [19] Young

[11] **Patent Number: Des. 409,960**

[45] **Date of Patent: ** May 18, 1999**

[54] **REINFORCEMENT RING FOR A TRAILER
HITCH RECEIVER**

[75] Inventor: **David A. Young**, Plymouth, Mich.

[73] Assignee: **Draw-Tite, Inc.**, Canton, Mich.

[**] Term: **14 Years**

[21] Appl. No.: **29/087,189**

[22] Filed: **Apr. 23, 1998**

[51] **LOC (6) Cl.** **12-16**

[52] **U.S. Cl.** **D12/162**

[58] **Field of Search** D12/162, 400;
D9/441, 451; D23/260; 138/89, 89.1, 89.4;
211/14; 280/495, 506, 507; 293/122

[56] **References Cited**

U.S. PATENT DOCUMENTS

D. 372,892	8/1996	McCoy et al.	D12/162
5,072,962	12/1991	Webb .	
5,149,122	9/1992	Helber .	
5,184,840	2/1993	Edwards .	
5,203,194	4/1993	Marquardt .	
5,277,448	1/1994	Colibert .	
5,431,425	7/1995	Klinknan .	
5,620,198	4/1997	Borchers .	
5,685,554	11/1997	Poxleitner .	
5,695,204	12/1997	Ford .	

OTHER PUBLICATIONS

Draw-Tite 1990 Hitch Applications and Accessories, 1989, Front and Rear Covers.

Four (4) photographs of Draw-Tite forged U.S.A. reinforcement ring (admitted prior art).

Primary Examiner—Robert M. Spear
Attorney, Agent, or Firm—Leon E. Redman; Myron B. Kapustij

[57] **CLAIM**

The ornamental design for a reinforcement ring for a trailer hitch receiver, as shown and described.

DESCRIPTION

FIG. 1 is a perspective view of a reinforcement ring for a trailer hitch receiver showing my new design;

FIG. 2 is a front elevational view thereof;

FIG. 3 is a top plan view thereof, the bottom being a mirror image of the top shown;

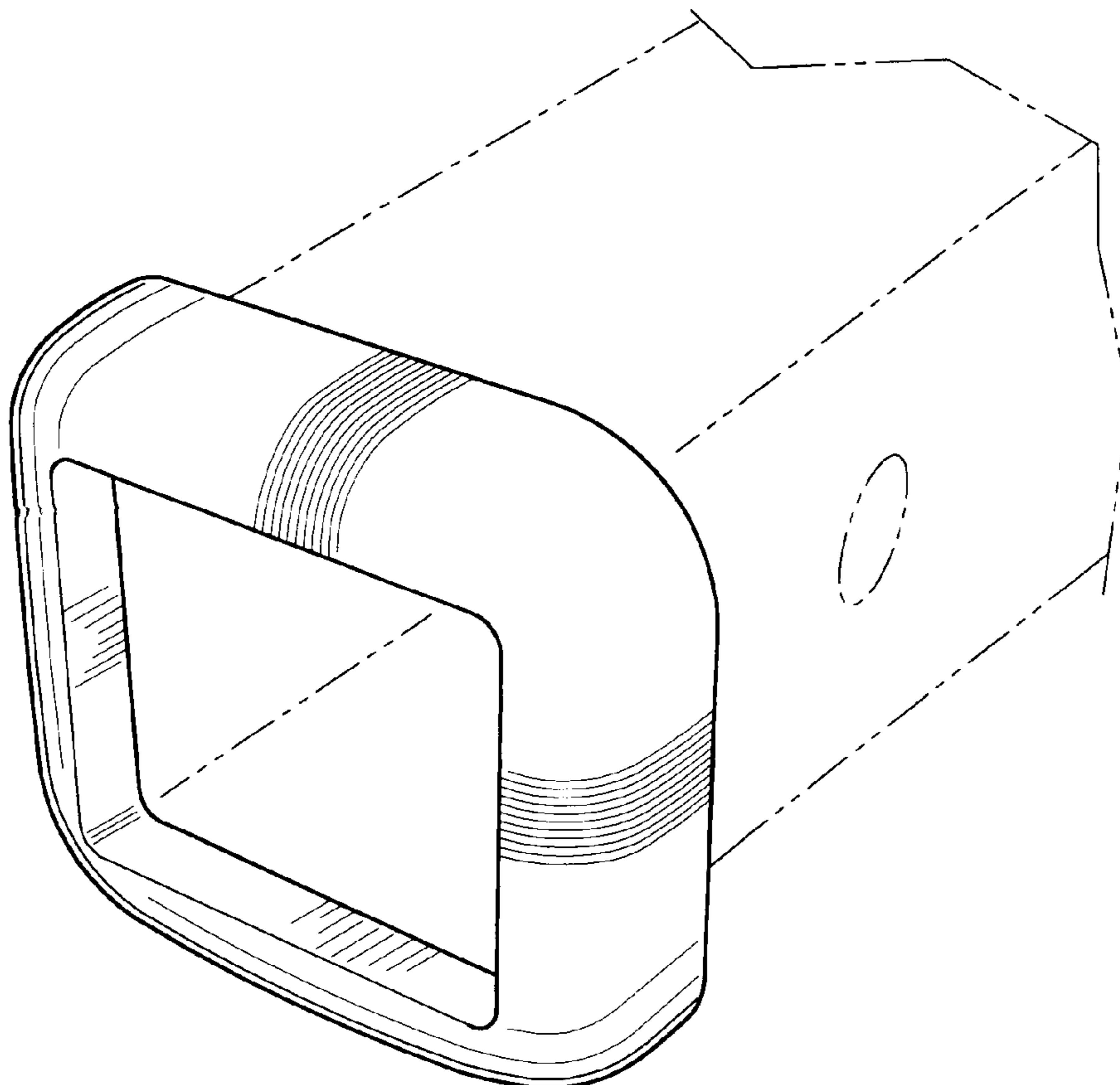
FIG. 4 is a right side view thereof, the left side being a mirror image of the right side shown;

FIG. 5 is a rear elevational view thereof; and,

FIG. 6 is a cross-sectional view thereof along line 6—6 of FIG. 2.

The broken lines are for environmental purposes only and form no part of the claimed design.

1 Claim, 2 Drawing Sheets



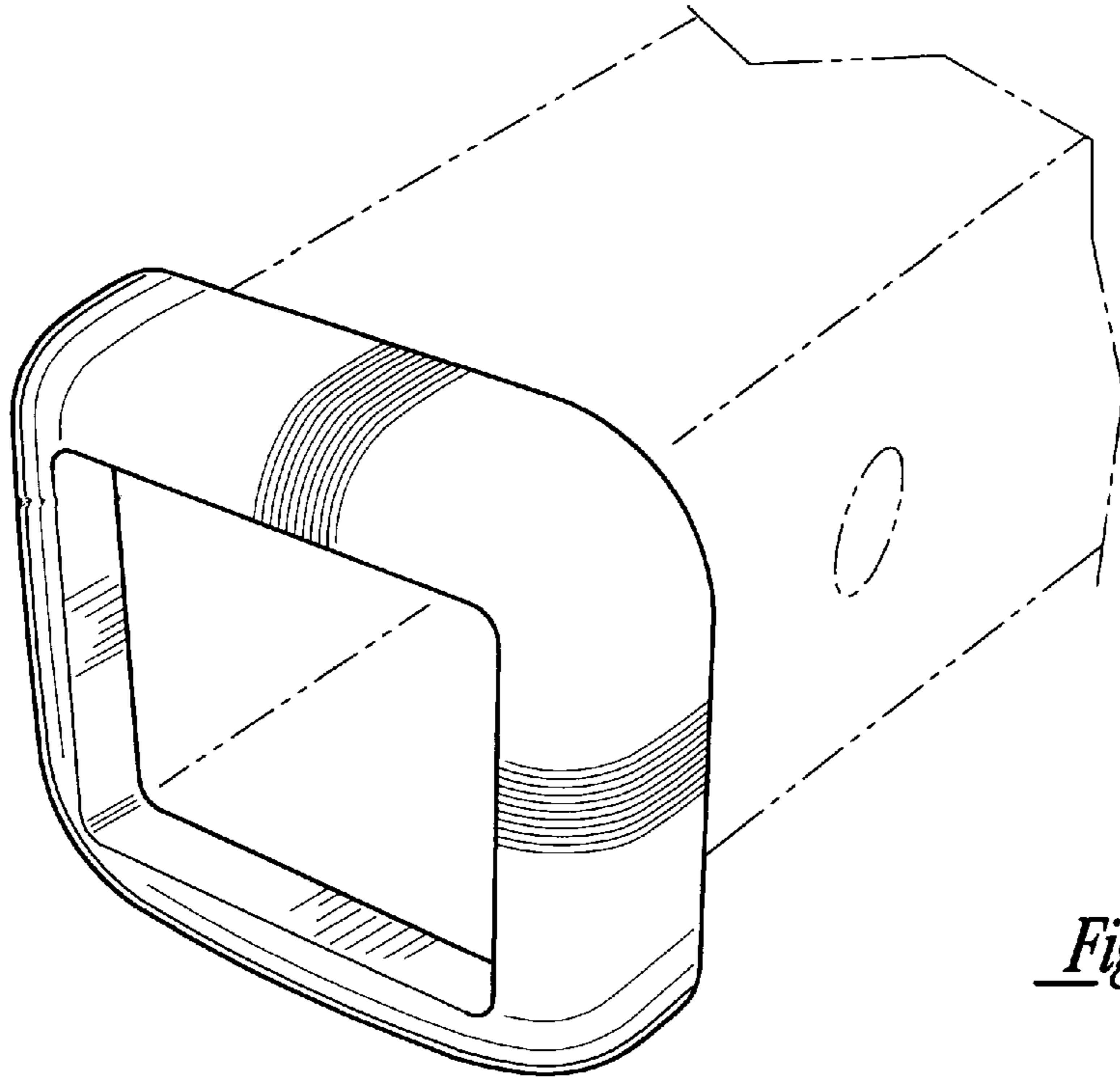


Fig-1

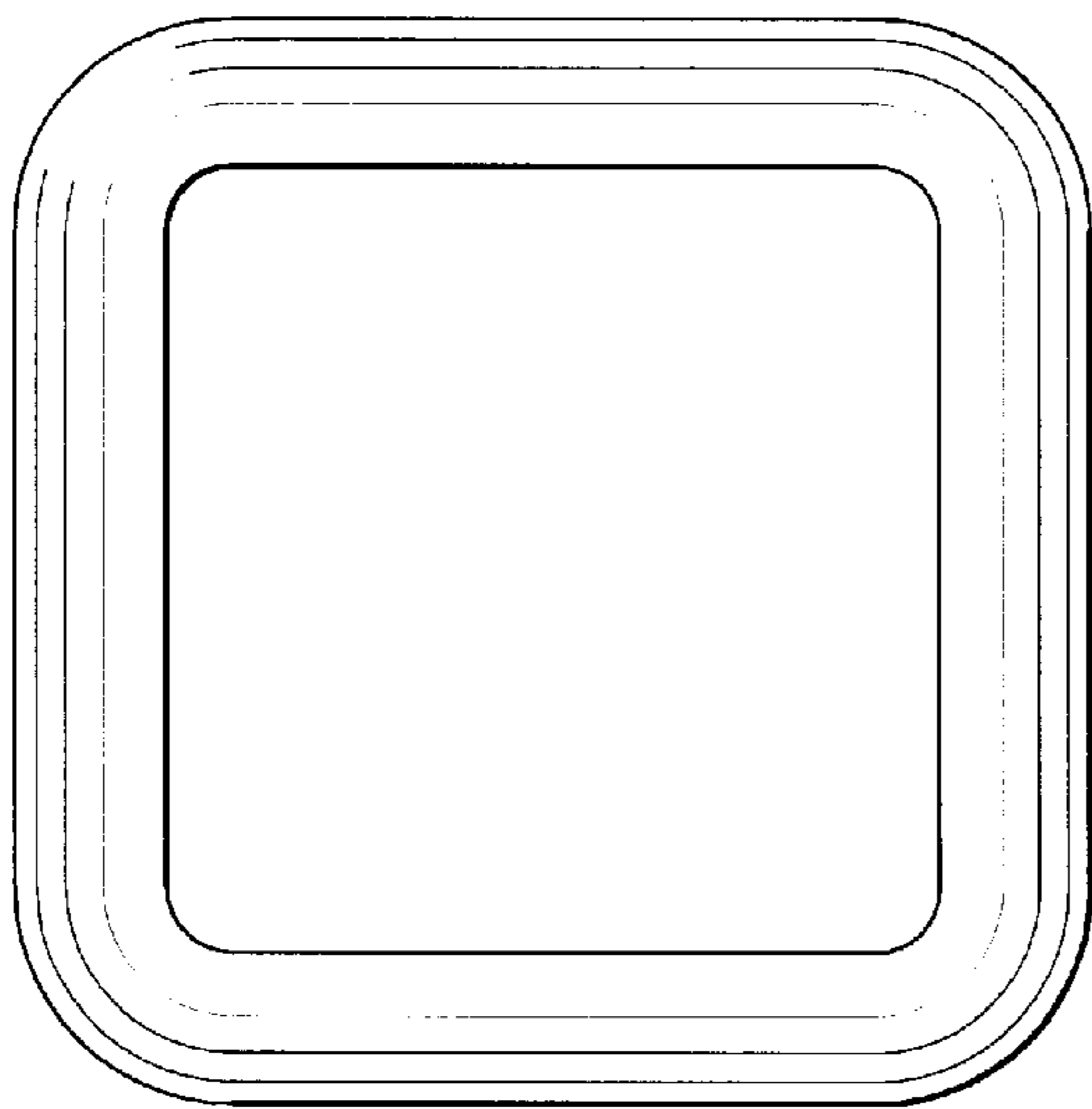
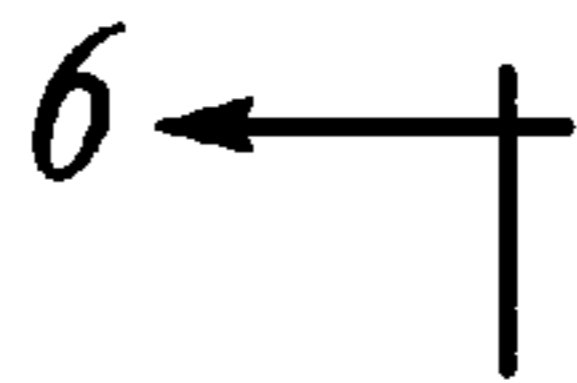


Fig-2

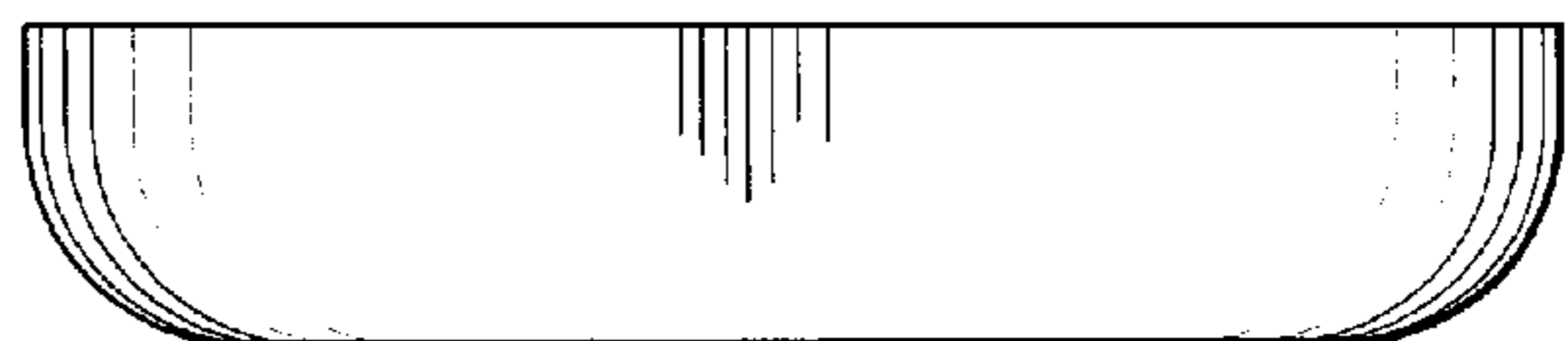
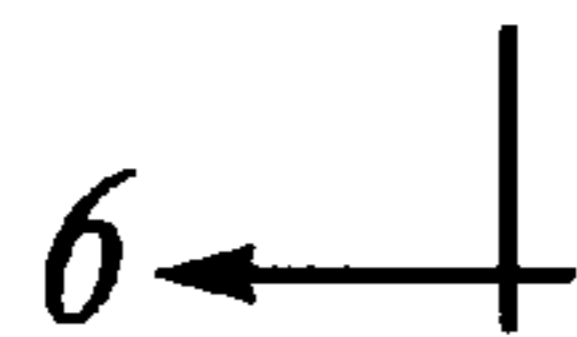


Fig-3

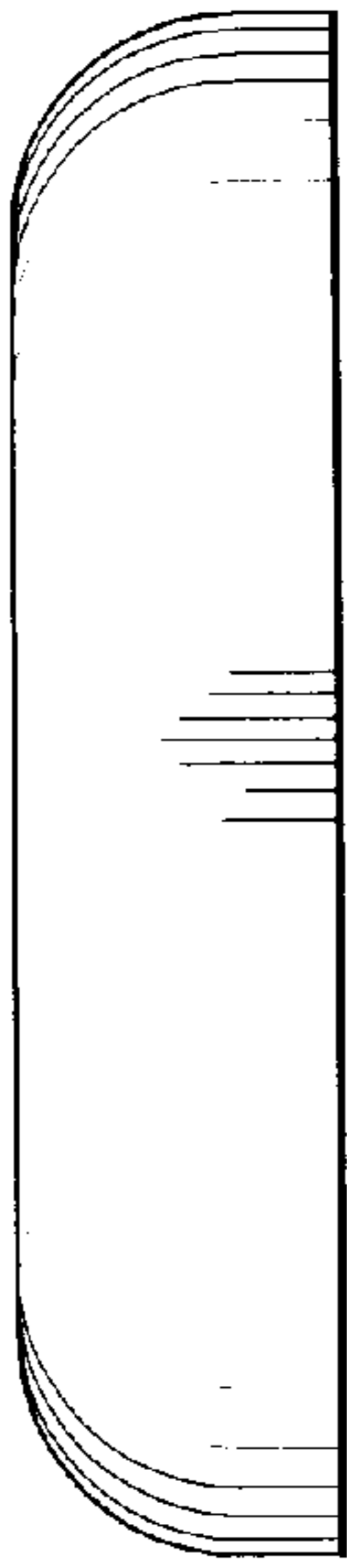


Fig-4

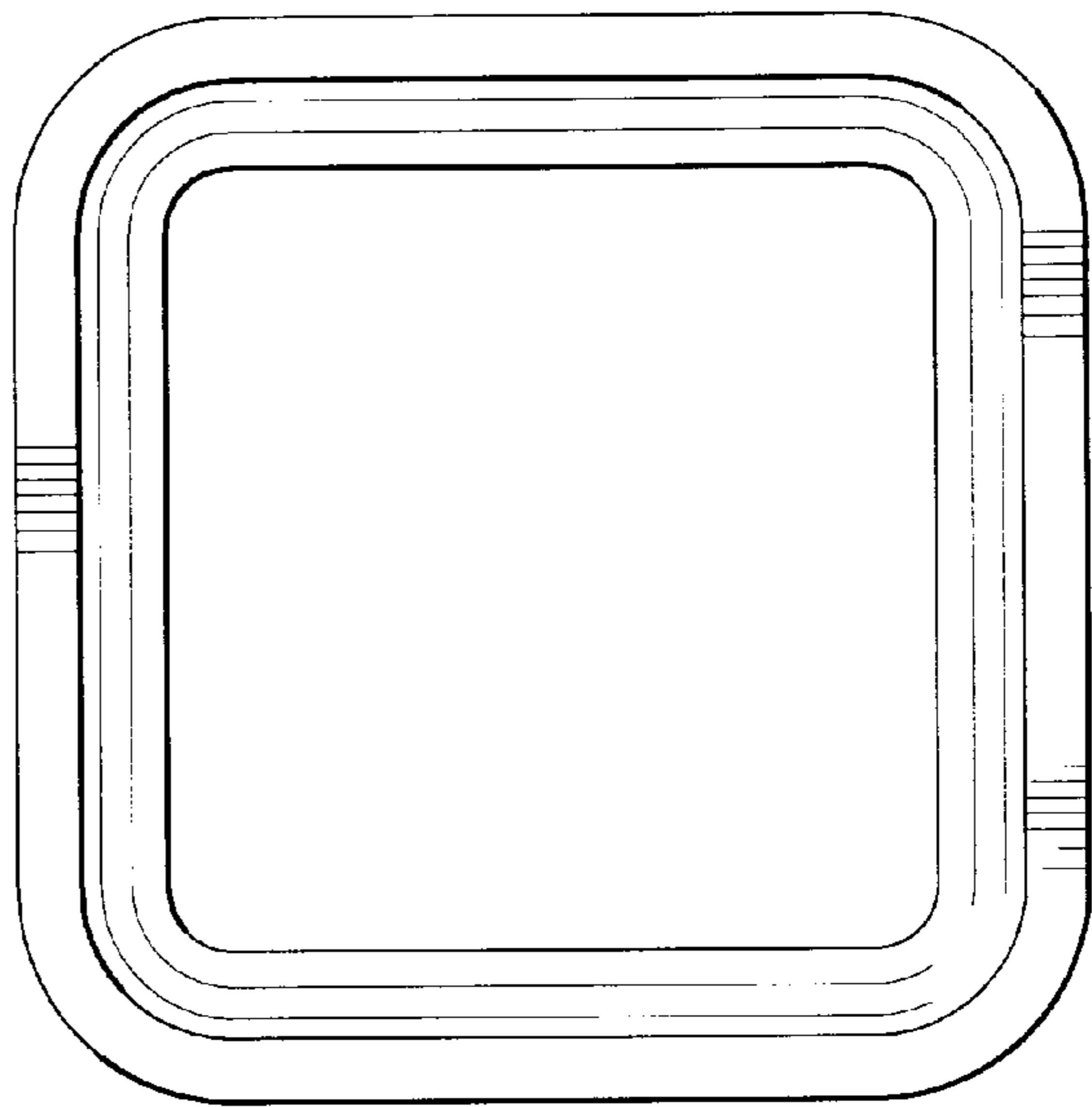


Fig-5

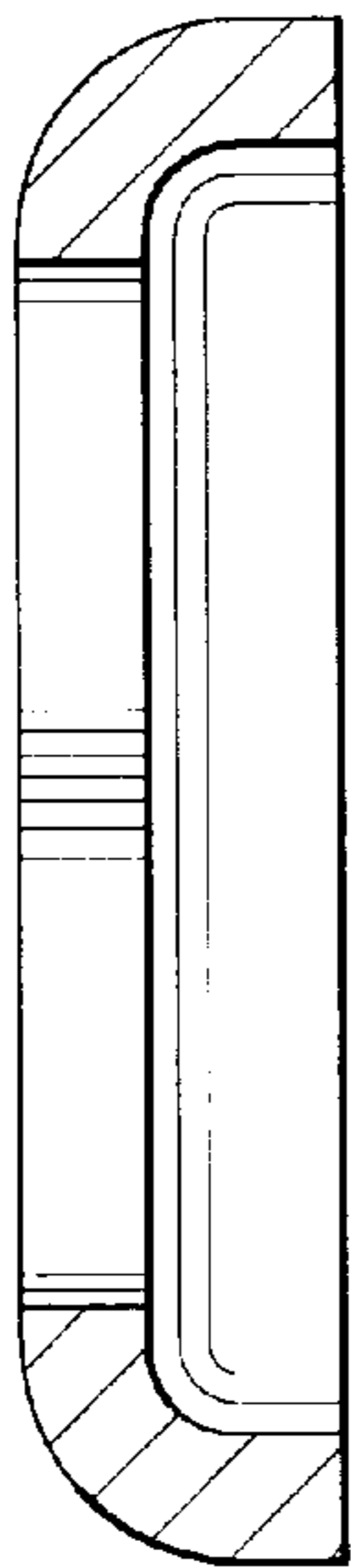


Fig-6